

13.0mm (0.512") PITCH CONNECTOR

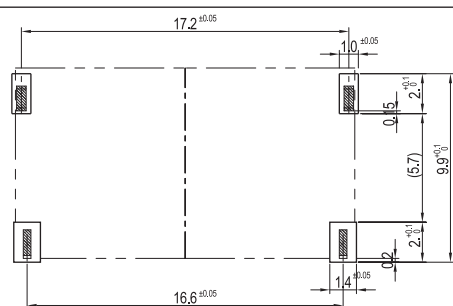
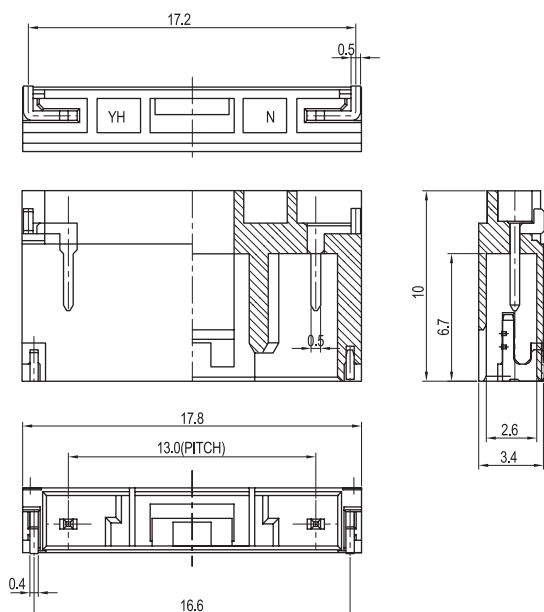
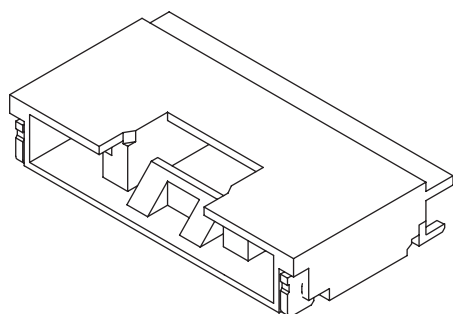


Wire-to-Board
Wafer

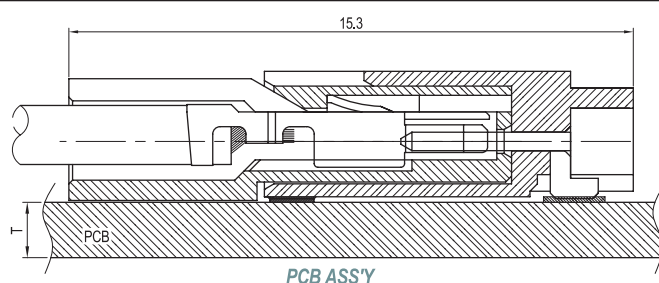
130001WR Series

SMT

Right Angle



P. C. B. Layout(Connector mounted side)



PCB ASSY

Material

I/NO	DESCRIPTION	TITLE	MATERIAL
1	WAFER	130001WR	PA6T or PA46, UL94 V Grade
2	PIN	130001PR	Brass & Tin-Plated
3	HOOK	12507LR-C	Brass & Tin-Plated

Specification

ITEM	SPEC
Voltage Rating	AC/DC 1400V
Current Rating	AC/DC 1A
Operating Temperature	-25°C~+85°C
Contact Resistance	30mΩ MAX
Withstanding Voltage	AC3800V/1min
Insulation Resistance	1000MΩ MIN
Applicable Wire	-
Applicable P.C.B	0.8~1.6mm
Applicable FPC/FFC	-
Solder Height	0.15mm
Crimp Tensile Strength	-
UL FILE NO	-