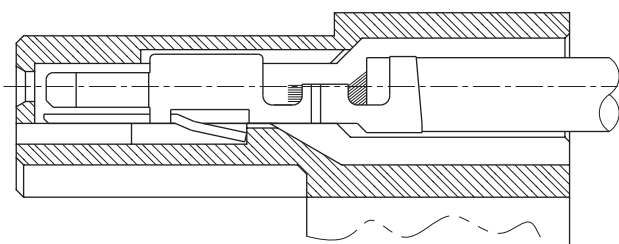
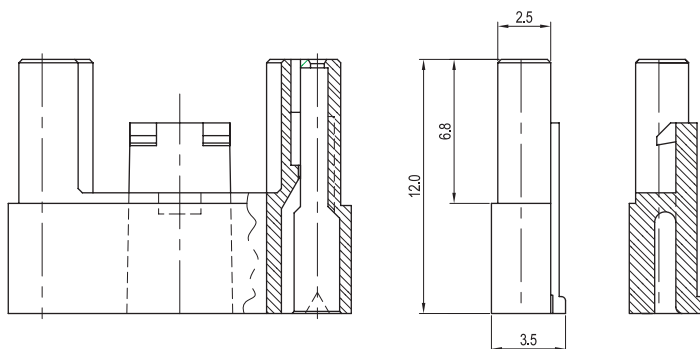
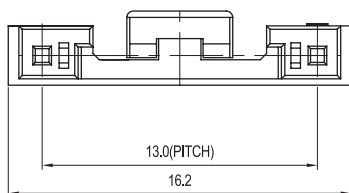
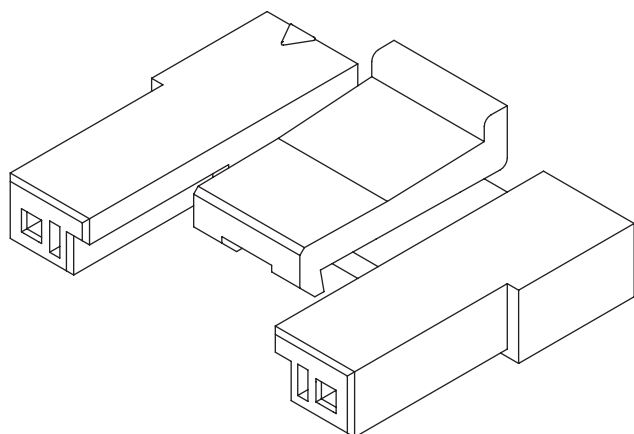


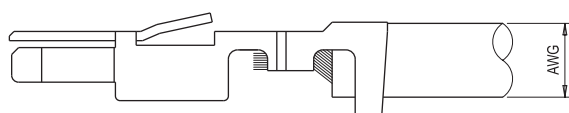
13.0mm (0.512") PITCH CONNECTOR

Wire-to-Board
Housing

130001HS Series



TERMINAL ASSEMBLY DRAWING



AWG : #24 ~ #28

Material

I/NO	DESCRIPTION	TITLE	MATERIAL
1	HOUSING	130001HS	PA66, UL94 V Grade

Specification

ITEM	SPEC
Voltage Rating	AC/DC 1400V
Current Rating	AC/DC 1A
Operating Temperature	-25°C~+85°C
Contact Resistance	30mΩ MAX
Withstanding Voltage	AC3800V/1min
Insulation Resistance	1000MΩ MIN
Applicable Wire	AWG #24~#28
Applicable P.C.B	-
Applicable FPC/FFC	-
Solder Height	-
Crimp Tensile Strength	-
UL FILE NO	-

Application Terminal : 35001TS-L (179 page)