

□ MN152810

■ Type		MN152810	
■ ROM (x8-bit)		8K	
■ RAM (x4-bit)		320	
■ Number of Instructions		115	
■ Minimum Instruction Execution Time		At 1/12 frequency dividing 2μs (at 4.5 to 5.5V, 6MHz)	
■ Interrupts		• RESET • SIRQ • Remote Control Input • Timer • Serial (Only when choosing Mask Option)	
■ Timer Counter		Timer Counter : 8-bit x 1 Clock Source1/2, 1/8, 1/32, 1/128 of System Clock Interrupt SourceOverflow of Timer Counter	
■ Serial Interface		Serial : 8-bit x 1 (Synchronous Type) Clock SourceSystem Clock, $\overline{\text{SBT}}$ Pin Input	
■ I/O Pins	I/O	6	• Common use : 2 • Specified pull-up Resistor available (Mask Option) • Nch Open-drain available (Output) : 4
	Input	4	• Common use : 1 • Specified pull-up Resistor available : 4 (Mask Option) • Output selectable : 3 (Software Programmable)
	High Voltage Output	5	• Nch Open-drain (Breakdown Voltage 12V) : 5 • Push-pull Output selectable : 4 (Mask Option)
	Output	5	
■ A/D Inputs		5-bit x 4ch (Conversion by Software)	
■ D/A Outputs		6-bit x 5ch	
■ PWM		7-bit x 4ch (Repetition Cycle 256μs, at 6MHz), 14-bit x 1ch (Repetition Cycle 32.8ms, at 6MHz)	
■ Special Ports		Tri-state Output (PTO), Remote Control Reception	
■ CRTC		5 x 7 dots, 16 characters, 6 lines, 7 colors, 120 patterns, Rounding function, Framing function	
■ Notes		Remote Control Data Detection Circuit built-in, For Voltage Synthesizer, Stand-by	
■ Package		SDIP052-P-0600	

www.DataSheet4U.com

www.DataSheet4U.com

Electrical Characteristics

Supply Current

Parameter	Symbol	Condition	Limit			Unit
			min	typ	max	
Operating Supply Current	IDD1	fosc=6MHz, VDD=VDDC=AVDD=5V VSSC=2V, Ta=25°C		28	50	mA
	IDD2	fosc=6MHz, VDD=VDDC=AVDD=5V VSSC=2V, Ta=25°C		4.0	8.0	mA
Supply Current at STOP	IDD3	VDD=VDDC=AVDD=3V, VSSC=0V fosc=0Hz, Ta=25°C			2.0	µA

(Ta=25, 80°C, VDD=5.0V, VSS=0V)

A/D, D/A Converter Characteristics

Parameter	Symbol	Condition	Limit			Unit
			min	typ	max	
A/D Conversion Absolute Error		VDD=5V, VSS=0V			±1	LSB
D/A Conversion Absolute Error		VDD=5V, VSS=0V			±1/2	LSB
Analog Input Voltage			VSS		VDD	V

(Ta=25, 80°C, VDD=5.0V, VSS=0V, VSSC=0V, VDDC=AVDD=5V)

Support Tool

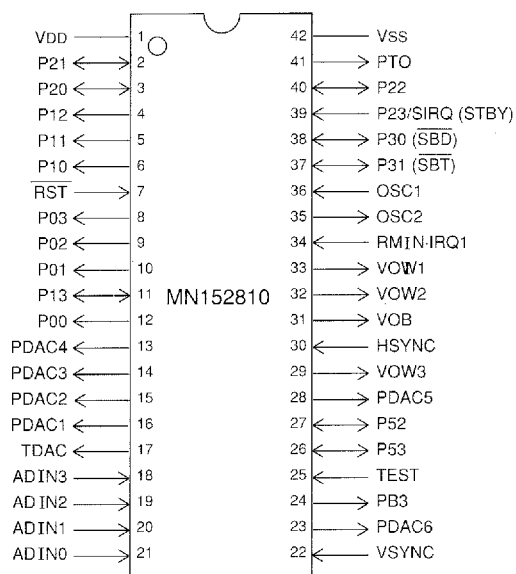
In-Circuit Emulator

PX-ICE1500 + PX-PRB152810

Piggyback

Use EP152810 as piggy in SDIP052-P-0600 package.

Pin Assignment



SDIP052-P-0600

NC : Nothing connected with pin