

# LR4803/LR4803N/LR4803U

## Pulse Tone Dialer LSI

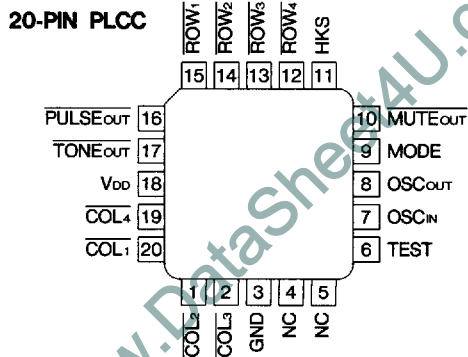
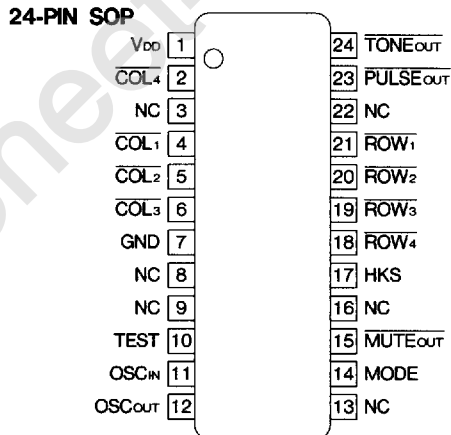
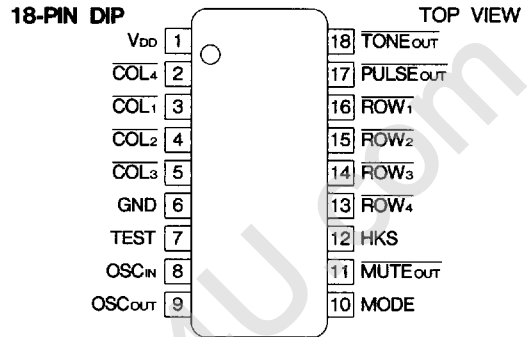
### DESCRIPTION

The LR4803/LR4803N/LR4803U are CMOS pulse/tone dialer LSI providing 18-digit×10-channel memory including a redial memory.

### FEATURES

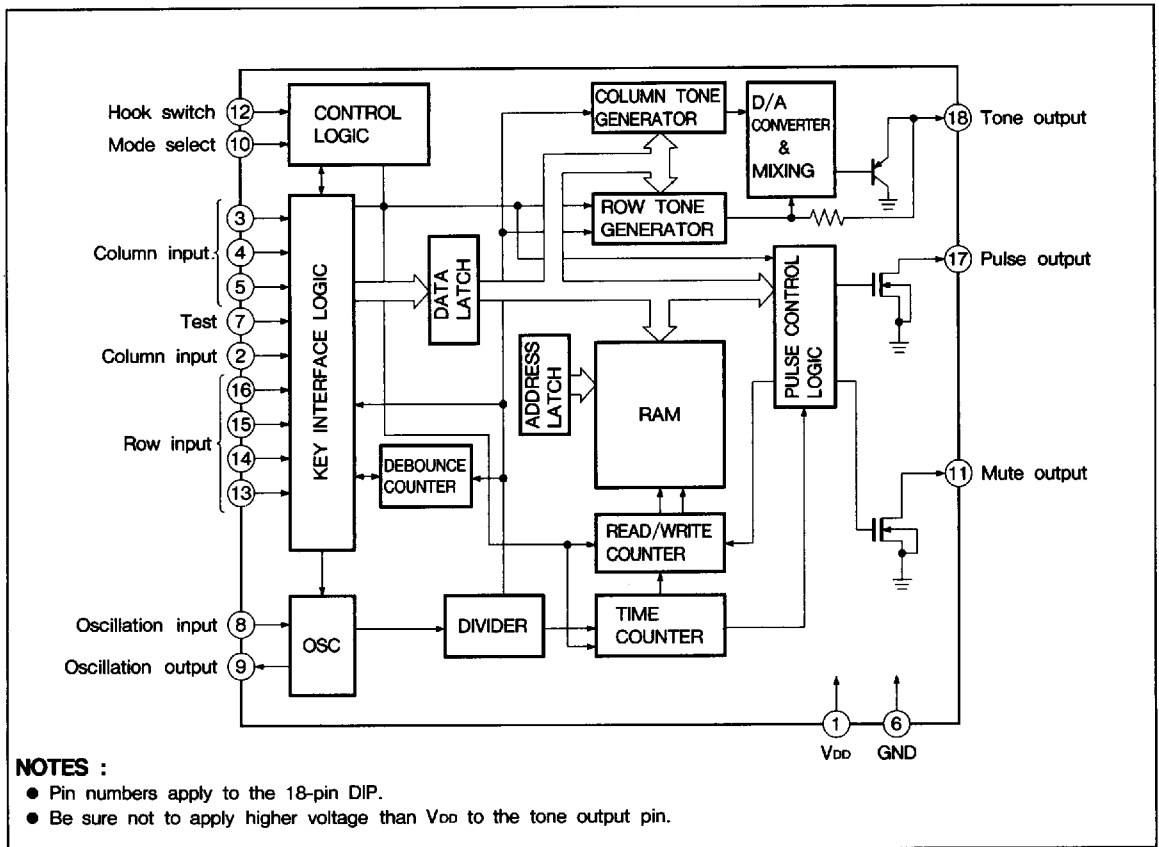
- Ten 18-digit telephone number memory storage including a redial memory
- Make ratio : 40%
- Pulse rate : 10/20 pps pin-selectable
- Switchable between DTMF tone dialing and pulse dialing modes
- Uses a 3.579 545 MHz color-burst crystal/ceramic oscillator as a frequency reference
- PBX pause storage
- Uses the single contact, the standard 2-of-7 or 2-of-8 matrix keyboard
- Packages :
  - LR4803 : 18-pin DIP(DIP018-P-0300)
  - LR4803N : 24-pin SOP(SOP024-P-450A)
  - LR4803U : 20-pin PLCC(QFJ020-P-S350)

### PIN CONNECTIONS



8180798 0014216 007

**BLOCK DIAGRAM**



**ABSOLUTE MAXIMUM RATINGS**

PARAMETER	SYMBOL	CONDITIONS	RATING	UNIT	NOTE
Supply voltage	V <sub>DD</sub>	LR4803/LR4803N	6.5	V	1
		LR4803U	10.5		
Input voltage	V <sub>IN1</sub>		-0.3 to V <sub>DD</sub> +0.3	V	2
Power dissipation	P <sub>D</sub>	T <sub>a</sub> =25°C	500	mW	
Operating temperature	T <sub>opr</sub>		-30 to +60	°C	
Storage temperature	T <sub>stg</sub>		-55 to +150	°C	

**NOTES :**

1. Referenced to GND.
2. The maximum applicable voltage on any pin with respect to GND.

## RECOMMENDED OPERATING CONDITIONS

PARAMETER	SYMBOL	MIN.	TYP.	MAX.	UNIT
Supply voltage	V <sub>DD</sub>	2.0		6.0	V

## DC CHARACTERISTICS

(T<sub>a</sub> = -30 to +60°C)

PARAMETER		SYMBOL	CONDITIONS	MIN.	TYP.	MAX.	UNIT	NOTE
Input voltage		V <sub>L</sub>		GND		0.2V <sub>DD</sub>	V	
		V <sub>H</sub>		0.8V <sub>DD</sub>		V <sub>DD</sub>	V	
Tone output voltage	ROW	V <sub>OR</sub>	R <sub>L</sub> = 1 kΩ, V <sub>DD</sub> = 4.0 V	290	350	450	mV <sub>rms</sub>	
	COLUMN	V <sub>OC</sub>	R <sub>L</sub> = 1 kΩ, V <sub>DD</sub> = 4.0 V	380	450	550	mV <sub>rms</sub>	
Standby current		I <sub>SB</sub>	V <sub>DD</sub> = 2.0 V	LR4803/N	1.0	1.8	μA	1
			V <sub>DD</sub> = 3.5 V	LR4803U	3	6		
Operating current	Pulse mode	I <sub>OPP</sub>	V <sub>DD</sub> = 3.5 V	LR4803/N	0.8	1.4	mA	2
	Tone mode	I <sub>OPT</sub>			1.2	2.0		
		I <sub>OP</sub>	V <sub>DD</sub> = 3.5 V	LR4803U	2	3		
Mute output current		I <sub>OL</sub>	V <sub>DD</sub> = 2 V	LR4803/N	2.0		mA	3
			V <sub>OL</sub> = 0.5 V	LR4803U	1.0	2.0		
Pulse sink output current		I <sub>PL</sub>	V <sub>DD</sub> = 2 V, V <sub>O</sub> = 0.5 V	1.0			mA	
Pulse leakage output current		I <sub>LKG</sub>	V <sub>DD</sub> = 6 V, V <sub>O</sub> = 6 V			1.0	μA	
Key pull-up input resistance		R <sub>KP</sub>	V <sub>DD</sub> = 3.5 V		100		kΩ	4
Key pull-down input resistance		R <sub>KD</sub>	V <sub>DD</sub> = 3.5 V		5.0		kΩ	4
Mode pull-up input resistance		R <sub>MP</sub>	V <sub>DD</sub> = 3.5 V		100		kΩ	
Mode pull-down input resistance		R <sub>MD</sub>	V <sub>DD</sub> = 3.5 V		100		kΩ	
HKS pull-up input resistance		R <sub>HK</sub>	V <sub>DD</sub> = 3.5 V		60		kΩ	
Tone output distortion			V <sub>DD</sub> ≥ 4 V			-20	dB	5
Pre-emphasis		PE <sub>HB</sub>	V <sub>DD</sub> ≥ 4 V, R <sub>L</sub> = 1 kΩ	1.0	2.0	3.0	dB	

## NOTES :

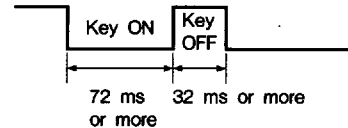
- All output pins in no-load condition when clock is stopped and when On-Hook.
- All output pins in no-load condition during key input and when On/Off-Hook (upper row : during pulse mode, lower row : during tone mode).
- Applied to the MUTE pin.
- Resistance when ROW pin or COL pin is scanned at 125 Hz, at high or low level.
- Unwanted frequency components relative to the total power of the fundamental tone signal of the ROW pin and COL pin.

## AC CHARACTERISTICS

PARAMETER	SYMBOL	MIN.	TYP.	MAX.	UNIT	NOTE
Oscillation start time	$t_{OS}$			8.0	ms	1
Key debounce time	$t_{DS}$	4.0		32	ms	2
Pulse rate	PR		10		pps	3
			20			4
Break time	$t_B$		60		ms	5
Inter-digital pause time	$t_{IDP}$		1000		ms	5, 6
Mute overlap time	$t_{MOL}$		2.0	4.0	ms	
Pre-digital pause time	$t_{PDP}$		40		ms	5
Tone output rate	$T_{OR}$		220		ms	7
Tone output time	$t_{OPT}$	50			ms	8
Tone mute overlap time	$t_{OM}$	4.0		32	ms	9

## NOTES :

- Crystal resonator parameters :  $R_s=100 \Omega$ ,  $L_M=96 \text{ mH}$ ,  $C_M=0.02 \text{ pF}$ ,  $C_h=5 \text{ pF}$ ,  $f=3.579 \text{ 545 MHz}$
- Key input is accepted after oscillation begins if valid after  $t_{OS}$ .
- MODE pin left open.
- Connect the MODE pin to  $V_{DD}$ .
- During 10 pps pulse mode (1/2 during 20 pps mode).
- 120 ms during DTMF mode.
- During auto-dialing mode.
- During normal dialing mode.
- $t_{OPT}$  depends on KEY ON time. Minimum KEY ON time and KEY OFF time for tone output are shown right.



## PIN DESCRIPTIONS (Applied to LR4803)

 $V_{DD}$  (Pin 1)

This pin is the power supply pin. It is positive with respect to GND (Pin 6). Maximum input voltage is 6.0 volts.

## Key Inputs (Pin 2, 3, 4, 5, 13, 14, 15 and 16)

Using GND as a common pin, the LR4803 may be used with either a standard 2-of-7 or 2-of-8 matrix keyboard, or with a single contact (Form A) keyboard. Fig. 1 shows the keyboard configurations.

In order for the key input to be valid, a single ROW input should be connected to a single COLUMN input. The single ROW and COLUMN inputs should go low simultaneously. Simultaneous multiple key depressions invalidates the key input.

If a single tone output is required as a check, multiple keys in the same ROW or COLUMN may be pressed simultaneously in DTMF mode.

No tone at all is output if multiple keys in the diagonal direction are depressed simultaneously. Multiple key depressions of ROW4 and COL4 inputs are not recognized.

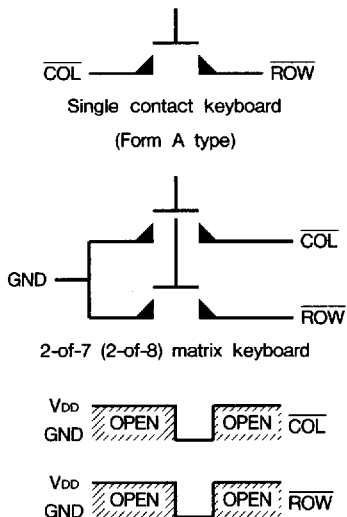
Oscillation begins when the first key input is detected. A key search is then performed on the ROW and COLUMN inputs alternately using high and low levels.

## Key Function

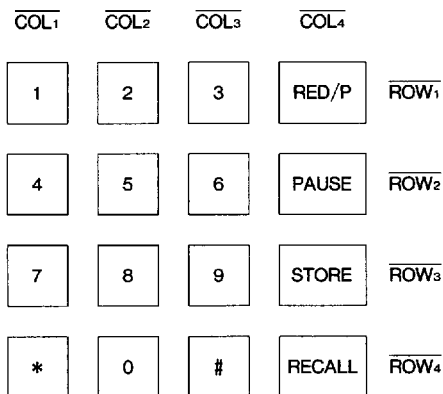
KEY	PULSE DIALING MODE	DTMF MODE
0 - 9	Data key	Data key
*	Data key-pause key	Data key
#	Control key-redial (Note 1)	Data key
RED/P	Control/data key (See NOTE 2)	Control/data key (See NOTE 2)
Pause	Data key (pause key)	Data key (pause key)
Store	Control key (store)	Control key (store)
Recall	Control key (recall)	Control key (recall)

**NOTES :**

1. If the # key is used for the first key input in pulse mode, it functions as a control key. In all other cases, # key input is ignored.
2. If the RED/P is the first key used when Off-Hook, then it functions as a control key, causing redialing to occur. In other cases it functions as a pause key.
3. A pause key input, in tone dialing mode, is valid when redialing or recalling.



**Fig. 1 Keyboard Configurations**



**Fig. 2 Key Matrix**

**GND (Pin 6)**

Negative power supply pin.

**Oscillator (Pins 8 and 9)**

The LR4803 has on-chip inverters with enough loop-gain to enable an oscillator to be formed by simply connecting either a low-cost TV color burst crystal or a ceramic oscillator across the OSC<sub>IN</sub> and OSC<sub>OUT</sub> pins. Table 2 shows the frequencies of the output tones when a 3.579545 MHz crystal oscillator is used.

**Table 1 DTMF Output Frequencies**

	STANDARD DTMF [Hz]	*LR4803 OUTPUT TONE [Hz]	DEVIATION FROM STANDARD DTMF [%]
f <sub>1</sub> (ROW <sub>1</sub> )	697	701.3	+0.62
f <sub>2</sub> (ROW <sub>2</sub> )	770	771.4	+0.19
f <sub>3</sub> (ROW <sub>3</sub> )	852	857.2	+0.61
f <sub>4</sub> (ROW <sub>4</sub> )	941	935.1	-0.63
f <sub>5</sub> (COL <sub>1</sub> )	1209	1215.9	+0.57
f <sub>6</sub> (COL <sub>2</sub> )	1336	1331.7	-0.32
f <sub>7</sub> (COL <sub>3</sub> )	1477	1471.9	-0.35

No single tone is generated on COL<sub>4</sub>

\* When using a 3.579 545 MHz crystal. Note that any deviations in the crystal frequency will directly affect the frequency of output tone.

**Mode Select (Pin 10)**

This pin enables switching between DTMF dialing mode and the 10/20 pps pulse dialing modes. Table 3 shows the relationship between the pin connections and the operating modes. If the input to the mode select pin is changed during pulse output, the mode transition occurs when tDP (Max. 1 s) has elapsed following data output in that mode or when a maximum of 3.6 s has elapsed after the mode transition during tone output.

**Table 2**

PIN CONNECTION	OPERATION MODE
V <sub>DD</sub>	20 pps pulse dialing
Open	10 pps pulse dialing
GND	DTMF tone dialing

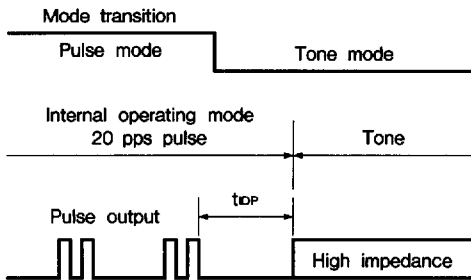


Fig. 3 Mode Change Timing Diagram

### MUTE Output (Pin 11)

The Mute output pin consists of an N-channel open-drain transistor. In pulse dialing mode, the mute output returns to GND level upon key input or pulse output. In tone dialing mode, the output returns to GND level upon key input or tone output during auto-dialing.

### Hook Switch Input (Pin 12)

This pin is the hook switch input. An internal pull-up resistor connects it to V<sub>DD</sub>. When left open or at the V<sub>DD</sub> level, the circuit is in On-Hook mode. When connected to GND, it is in Off-Hook mode (dialing mode).

### PULSE Output (Pin 17)

This pin outputs pulses when in 10 pps or 20 pps pulse dialing mode. It is an N-channel open-drain output capable of driving an external transistor. The pulse Make/Break ratio is 32%/68%. In DTMF tone dialing mode, it is in a high impedance state.

### TONE Output (Pin 18)

The tone output is connected to the emitter of an on-chip bipolar transistor, the collector of which is connected to ground. The ROW and COLUMN signal inputs to this transistor are connected to an on-chip OP amp. to ensure stable output levels. In DTMF tone-dialing mode, the DTMF signal is output as described below. The ROW and COLUMN outputs are digitally synthesized. Fig. 4 and 5 show the waveforms output from the on-chip D/A converters. Without filtering, the distortion of the signal is within 7%

of the ideal waveform. The ROW and COLUMN signals are then combined by the on-chip OP-amp. to form a dual-tone output waveform.

### Test Input (Pin 7)

This is used for LSI testing and is internally connected to V<sub>DD</sub> through a pull-up resistor.

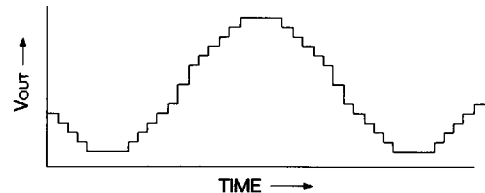


Fig. 4 ROW Signal Tone Waveform

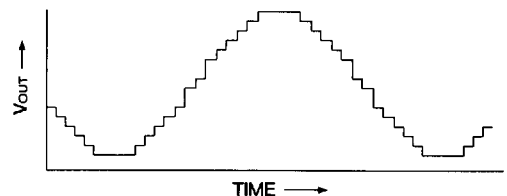


Fig. 5 COLUMN Signal Tone Waveform

## FUNCTIONAL DESCRIPTION

### Normal Dialing

Normal dialing involves numeric key input while the phone is Off-Hook. If the key input is valid, the data is stored at location 0 in internal RAM. The memory operations occur on a FIFO (First-in First-out) basis and telephone numbers up to 18 digits long can be stored. Key input of more than 19 digits causes memory to be cleared and filled with new data. In tone dialing mode, the DTMF tone is output in response to the key inputs.

### Memory Function

During normal dialing each key input is written to the buffer memory (RAM location 0). The dialed number stored in this temporary buffer can be transferred to and stored in another location (1-9) in the storage memory. The LR4803 automatically loads the telephone number input from the key pad into the buffer regardless of whether the phone is On-Hook or Off-Hook. When the

**STORE** **N** (N=1-9) key sequence is input, the contents of the buffer are transferred to one of the memory locations 1-9. The existing contents of the buffer are automatically overwritten when a new number is input.

**NOTE :**

Key input is accepted for 0.6 s of transferring time and then the store operation is reset by switching the hook switch on and off.

**Redial Function**

If the **RED/P** key is input while the Hook-Switch is off (i.e., HKS pin at GND level), then the contents of the buffer memory are read out and redialing is performed. If the **#** key is the first input after the hook-switch pin has been grounded, the number in buffer memory is redialed.

**Recall Function**

When the hook-switch is off and a **RECALL** **N** (N=1-9) key input sequence occurs, dialing starts from the time the N key becomes valid.

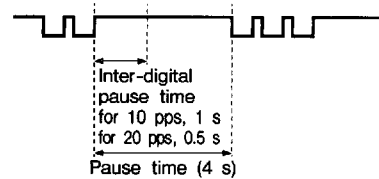
**NOTE :**

By pushing a **RECALL** or **STORE** key when pulses are output in Off-Hook mode, pulse output is halted and a mode transition occurs.

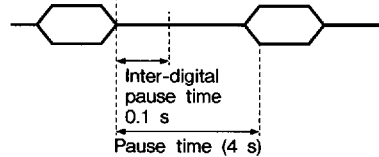
**Pause/Auto-Dialing Function**

The LR4803 allows pauses to be programmed within the 17 digits of the telephone number. A pause is recorded in memory by entering the **PAUSE** key. If a pause code is detected during the execution of a redial or recall auto-dial operation, dialing is automatically suspended. After 4 seconds the rest of the number is then dialed. During an auto-dialing operation in the DTMF mode, **PAUSE** key input causes data to be written into RAM, but a pause is output only when the memory contents are dialed.

**Pulse output**



**Tone output auto-dialing**



**DESCRIPTION OF OPERATION**

The mode select pin of the LR4803 LSI enables either DTMF tone dialing or 10 pps/20 pps pulse dialing mode to be selected. It is a 10 number memory repertory dialer which, depending on the mode selected, outputs either tone signals or pulse and mute signals in response to the key inputs. A low-cost 3.579 545 MHz color burst crystal may be used for the oscillator. The device contains 900 bits of RAM (18 digits×5 bits ×10) enabling it to store up to 10 telephone numbers, including the number last dialed.

Numbers up to a maximum of 18 digits can be stored. When used with a PBX system, a pause can be input. The repertory dialer will recognize this pause during auto-dial operation and will suspend output for 4 seconds. When the DTMF tone dialing mode is selected, 8 types of audio frequency are generated and an output tone conforming to DTMF dialing standards is synthesized from them. In response to ROW and COLUMN key inputs, a dual audio tone output is obtained by division of the 3.579 545 MHz signal. The D/A converter in this LSI consists of an on-chip R-2R ladder network and an OP-amp. The output signal is a staircase approximation of a sine wave. When particularly low distortion is required, an external filtering circuit should be added.

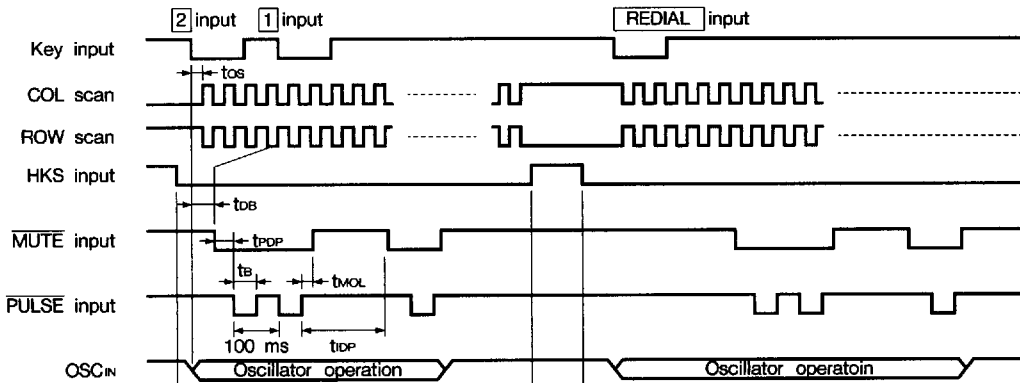
**Sample Operations**

- [A]
1. ON HOOK
  2. Input "0 PAUSE 98-7654" ; "0 PAUSE 98-7654" is written to the buffer memory.
  3. Input "STORE 2" ; "0 PAUSE 98-7654" is transferred to and stored in memory location 2.
  4. OFF HOOK
  5. Input "RECALL 2" ; "0" is transmitted and, after 4 seconds, "98-7654" is automatically transmitted.
- [B]
1. OFF HOOK
  2. Input "0 PAUSE 1234" ; "0 PAUSE 1234" is transmitted and simultaneously written into the buffer memory.
  3. BUSY confirmation ; (The other party is engaged.)
  4. ON HOOK
  5. OFF HOOK
  6. RED/P ; "0" is transmitted and, after 4 seconds, "1234" is automatically transmitted.
  7. ON HOOK
  8. Input "STORE 3" ; "0 PAUSE 1234" is transferred to and stored in memory location 3.
  9. OFF HOOK
  10. Input "RECALL 3" ; "0" is transmitted and, after 4 seconds, "1234" is automatically transmitted.
  11. BUSY confirmation
  12. ON HOOK
  13. OFF HOOK
  14. Input REDIAL ; "0" is transmitted and, after 4 seconds, "1234" is automatically transmitted.

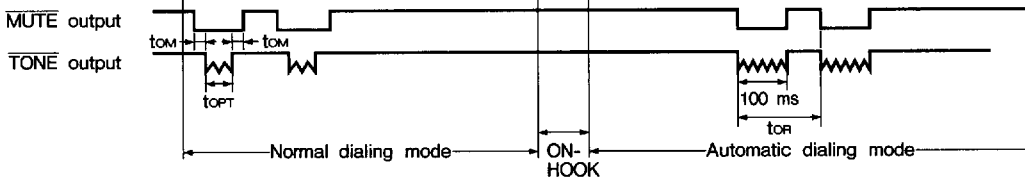


TIMING DIAGRAMS

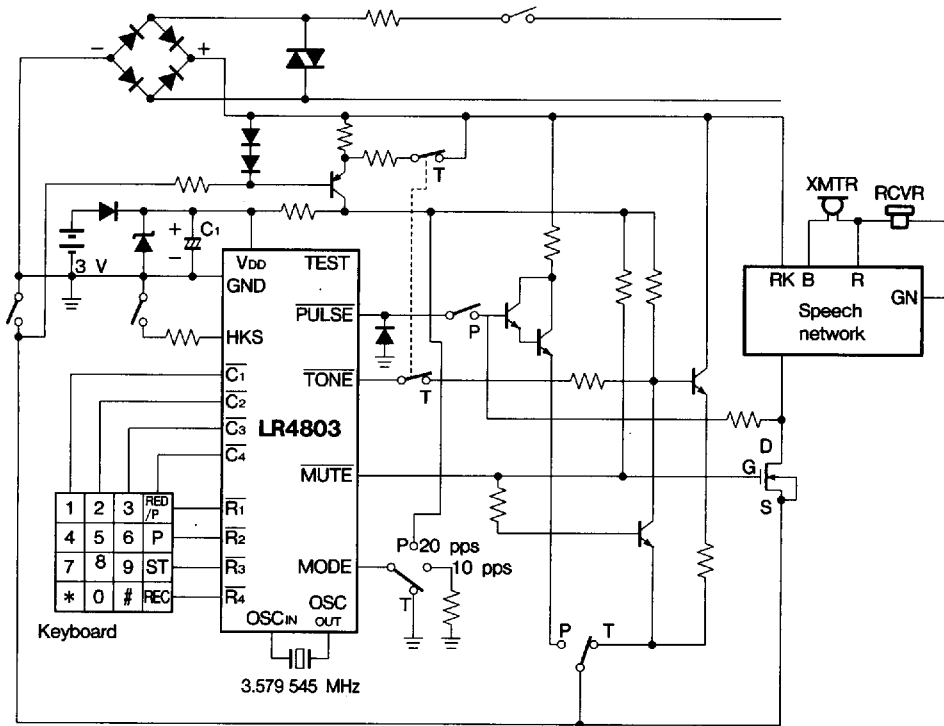
(Pulse mode)



(DTMF mode)



SYSTEM CONFIGURATION EXAMPLE



NOTES :

- Connect the switch to "P" for pulse mode and to "T" for tone mode.
- C<sub>1</sub> = 68 μF (Insert a capacitor to smooth the power supply and prevent latch-up.)