

KS54AHCT 03
KS74AHCT

Quad 2-Input NAND Gates with Open-Drain Outputs

FEATURES

- Function, pin-out, speed and drive compatibility with 54/74ALS logic family
- Low power consumption characteristic of CMOS
- High-Drive-Current outputs:
 $I_{OL} = 8 \text{ mA} @ V_{OL} = 0.5V$
- Inputs and outputs interface directly with TTL, NMOS and CMOS devices
- Wide operating voltage range: 4.5V to 5.5V
- Characterized for operation over industrial and military temperature ranges:
 KS74AHCT: -40°C to $+85^{\circ}\text{C}$
 KS54AHCT: -55°C to $+125^{\circ}\text{C}$
- Package options include plastic "small outline" packages, standard plastic and ceramic 300-mil DIPs

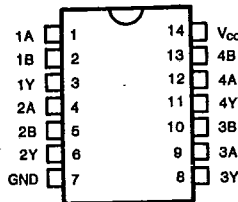
DESCRIPTION

These devices contain four independent 2-input NAND gates with open-drain outputs. Using a suitable pull-up resistor, these outputs may be connected to other open-drain outputs to implement wired-AND functions.

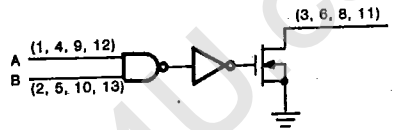
These devices provide speeds and drive capability equivalent to their ALSTTL counterparts and yet maintain CMOS power levels. The input and output voltage levels allow direct interface with TTL, NMOS and CMOS devices without any external components.

All inputs and outputs are protected from damage due to static discharge by internal diode clamps to V_{CC} and ground.

PIN CONFIGURATION



LOGIC DIAGRAM



FUNCTION TABLE

(Each Gate)

Inputs		Output
A	B	Y
H	H	L
L	X	H
X	L	H

www.DataSheet4U.com

KS54AHCT 03
KS74AHCT

Quad 2-Input NAND Gates
with Open-Drain Outputs

Absolute Maximum Ratings*

Supply Voltage Range V_{CC} , -0.5V to +7V
 DC Input Diode Current, I_{IK}
 ($V_I < -0.5V$ or $V_I > V_{CC} + 0.5V$) ± 20 mA
 DC Output Diode Current, I_{OK}
 ($V_O < -0.5V$ or $V_O > V_{CC} + 0.5V$) ± 20 mA
 Continuous Output Current Per Pin, I_O
 ($-0.5V < V_O < V_{CC} + 0.5V$) ± 35 mA
 Continuous Current Through
 V_{CC} or GND pins ± 125 mA
 Storage Temperature Range, T_{stg} -65°C to $+150^\circ\text{C}$
 Power Dissipation Per Package, P_d^\dagger 500 mW

* Absolute Maximum Ratings are those values beyond which permanent damage to the device may occur. These are stress ratings only and functional operation of the device at or beyond them is not implied. Long exposure to these conditions may affect device reliability.

† Power Dissipation temperature derating:
 Plastic Package (N): $-12\text{mW}/^\circ\text{C}$ from 65°C to 85°C
 Ceramic Package (J): $-12\text{mW}/^\circ\text{C}$ from 100°C to 125°C

Recommended Operating Conditions

Supply Voltage, V_{CC} 4.5V to 5.5V
 DC Input & Output Voltages*, V_{IN}, V_{OUT} .. 0V to V_{CC}
 Operating Temperature
 Range KS74AHCT: -40°C to $+85^\circ\text{C}$
 KS54AHCT: -55°C to $+125^\circ\text{C}$
 Input Rise & Fall Times, t_r, t_f Max 500 ns
 * Unused inputs must always be tied to an appropriate logic voltage level (either V_{CC} or GND)

DC ELECTRICAL CHARACTERISTICS ($V_{CC}=5V \pm 10\%$ Unless Otherwise Specified)

Characteristic	Symbol	Test Conditions	$T_a = 25^\circ\text{C}$	KS74AHCT $T_a = -40^\circ\text{C}$ to $+85^\circ\text{C}$		KS54AHCT $T_a = -55^\circ\text{C}$ to $+125^\circ\text{C}$	Unit
			Typ	Guaranteed Limits			
Minimum High-Level Input Voltage	V_{IH}		2.0	2.0	2.0		V
Maximum Low-Level Input Voltage	V_{IL}		0.8	0.8	0.8		V
Maximum Low-Level Output Voltage	V_{OL}	$V_{IN}=V_{IH}$ or V_{IL} $I_O=20\mu\text{A}$ $I_O=4\text{mA}$ $I_O=8\text{mA}$	0 0.1 0.26 0.39	0.1 0.33 0.5	0.1 0.4		V
Maximum Input Current	I_{IN}	$V_{IN}=V_{CC}$ or GND	± 0.1	± 1.0	± 1.0		μA
Maximum Output Leakage Current	I_{OZ}	$V_{IN}=V_{IH}$ or V_{IL} $V_{OUT}=V_{CC}$	± 0.5	± 5.0	± 10.0		μA
Maximum Quiescent Supply Current	I_{CC}	$V_{IN}=V_{CC}$ or GND $I_{OUT}=0\mu\text{A}$ per input pin	2.0	20.0	40.0		μA
Additional Worst Case Supply Current	ΔI_{CC}	$V_I=2.4V$ other Inputs: at V_{CC} or GND $I_{OUT}=0\mu\text{A}$	2.7	2.9	3.0		mA

AC ELECTRICAL CHARACTERISTICS (Input $t_r, t_f \leq 2$ ns), AHCT03

Characteristic	Symbol	Conditions†	$T_a = 25^\circ\text{C}$	KS74AHCT $T_a = -40^\circ\text{C}$ to $+85^\circ\text{C}$		KS54AHCT $T_a = -55^\circ\text{C}$ to $+125^\circ\text{C}$		Unit
			$V_{CC}=5.0V$	$V_{CC}=5.0V \pm 10\%$		$V_{CC}=5.0V \pm 10\%$		
			Typ	Min	Max	Min	Max	
Propagation Delay	t_{PLH}	$C_L=50\text{pF}$	17		25		29	ns
	t_{PHL}	$R_L=1k\Omega$	10		16		19	
Input Capacitance	C_{IN}		5					pF
Power Dissipation Capacitance*	C_{PD}	(per gate)	15					pF

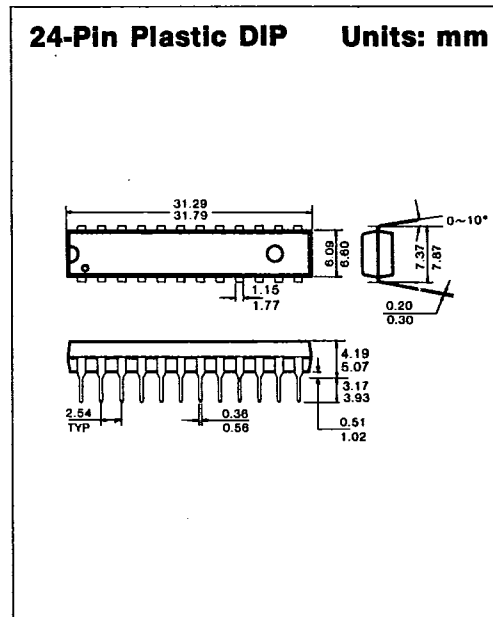
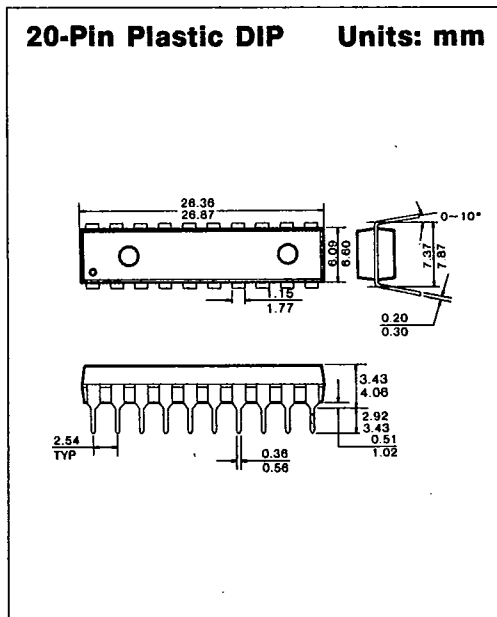
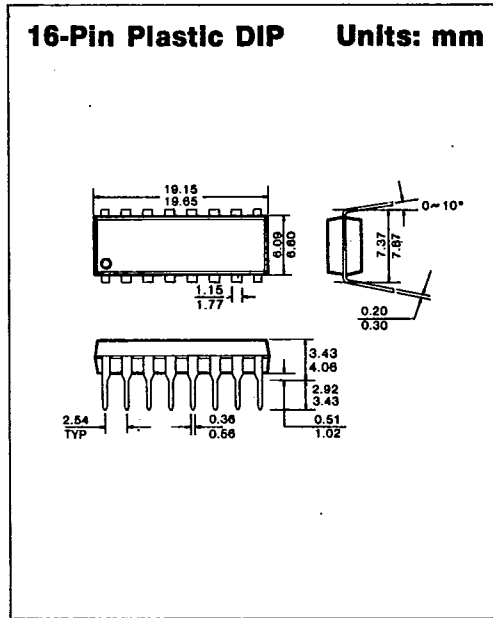
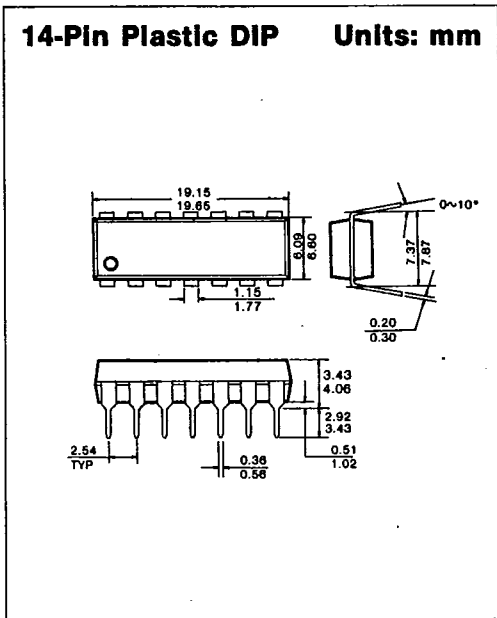
* C_{PD} determines the no-load dynamic power dissipation: $P_D=C_{PD} V_{CC}^2 f + I_{CC} V_{CC}$.

† For AC switching test circuits and timing waveforms see section 2.

PACKAGE DIMENSIONS

T-90-20

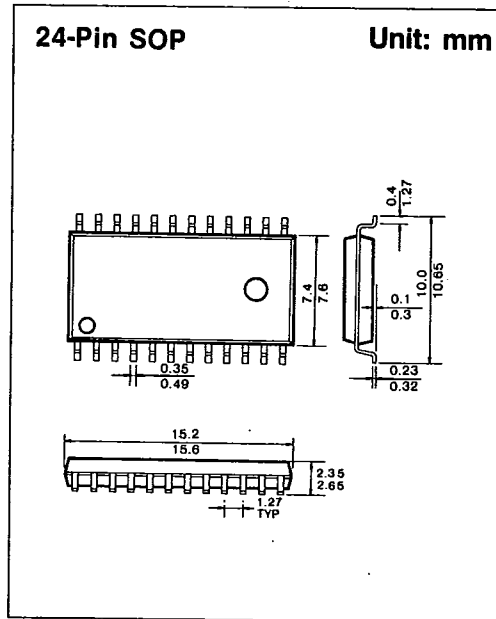
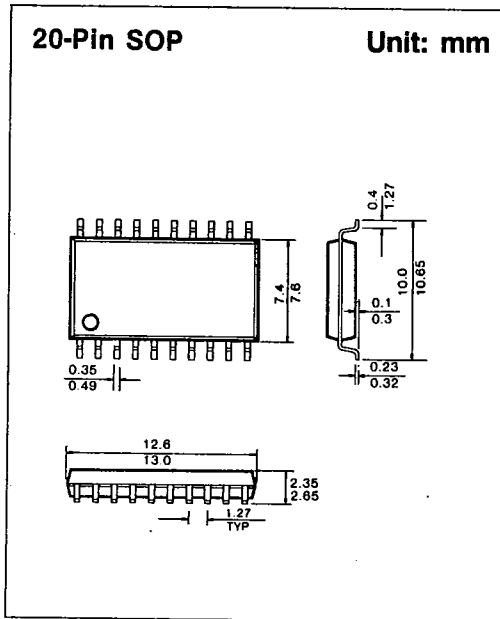
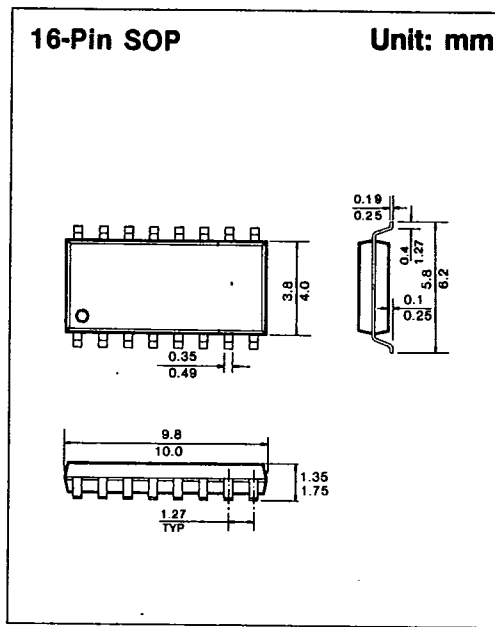
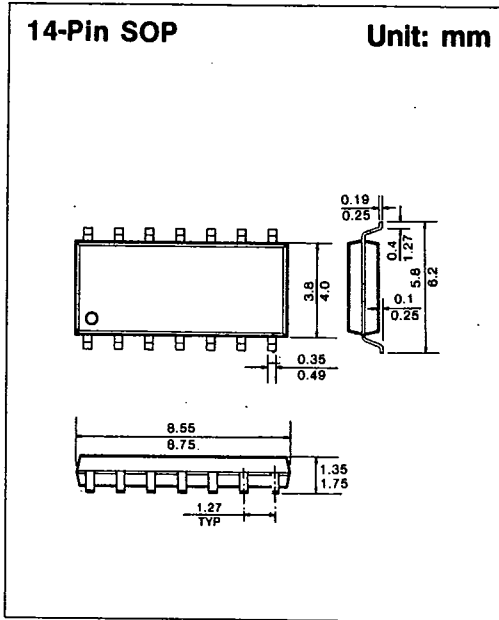
1. PLASTIC PACKAGES



7

PACKAGE DIMENSIONS

T-90-20

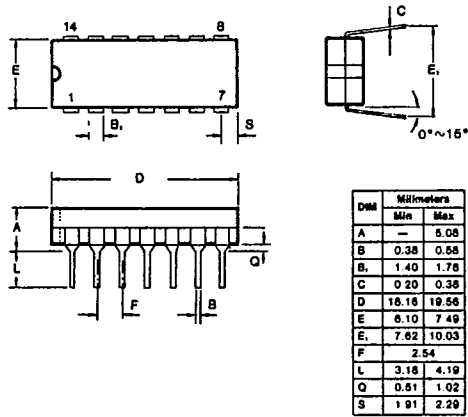


PACKAGE DIMENSIONS

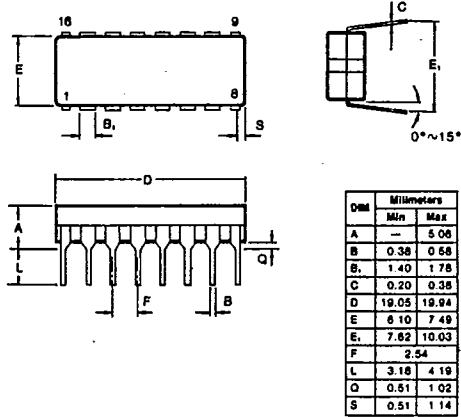
T-90-20

2. CERAMIC PACKAGES

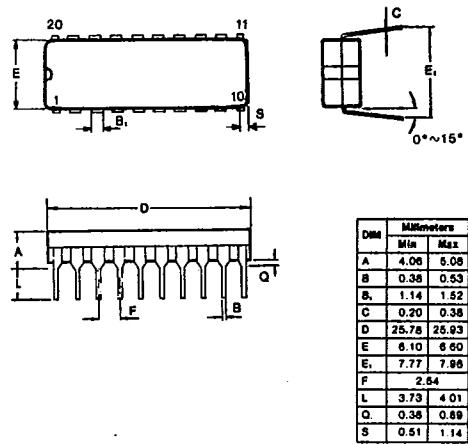
14-Pin Ceramic DIP Units: mm



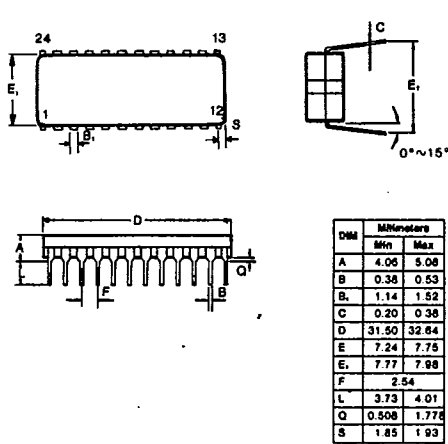
16-Pin Ceramic DIP Units: mm



20-Pin Ceramic DIP Units: mm



24-Pin Ceramic DIP Units: mm



7