



MICROCHIP

# HCS512



## Code Hopping Decoder

### FEATURES

#### Security

- Secure storage of Manufacturer's Code
- Secure storage of transmitter's keys
- Up to four transmitters can be learned
- KEELOQ code hopping technology
- Normal and secure learning mechanisms

#### Operating

- 3.0V – 6.0V operation
- 4 MHz RC oscillator
- Learning indication on LRNOUT
- Auto baud rate detection
- Power saving sleep mode

#### Other

- Stand alone decoder
- On-chip EEPROM for transmitter storage
- Four binary function outputs—15 functions
- 18-pin DIP/SOIC package

#### Typical Applications

- Automotive remote entry systems
- Automotive alarm systems
- Automotive immobilizers
- Gate and garage openers
- Electronic door locks
- Identity tokens
- Burglar alarm systems

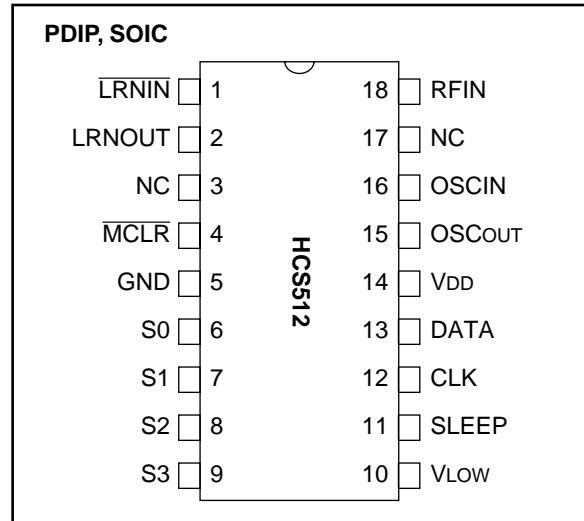
#### Compatible Encoders

- HCS200, HCS300, HCS301, HCS360, HCS361
- NTQ106

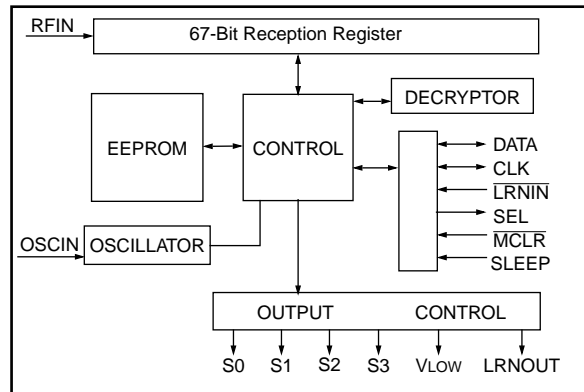
### DESCRIPTION

The Microchip Technology Inc. HCS512 is a code hopping decoder designed for secure Remote Keyless Entry (RKE) systems. The HCS512 utilizes the patented KEELOQ code hopping system and high security learning mechanisms to make this a canned solution when used with the HCS encoders to implement a uni-directional remote keyless entry system.

### PACKAGE TYPE



### BLOCK DIAGRAM



The Manufacturer's Code, transmitter keys, and synchronization information are stored in protected on-chip EEPROM. The HCS512 uses the DATA and CLK inputs to load the Manufacturer's Code which cannot be read out of the device.

The HCS512 operates over a wide voltage range of 3.0 volts to 6.0 volts. The decoder employs automatic baud rate detection which allows it to compensate for wide variations in transmitter data rate. The decoder contains sophisticated error checking algorithms to ensure only valid codes are accepted.

## 1.0 KEELOQ SYSTEM OVERVIEW

### 1.1 Key Terms

- **Manufacturer's Code** – a 64-bit word, unique to each manufacturer, used to produce a unique encoder key in each transmitter (encoder).
- **Encoder Key** – a 64-bit key, unique for each transmitter. The encoder key controls the decryption algorithm and is stored in EEPROM on the decoder device.
- **Learn** – The receiver uses information that is transmitted to derive the transmitter's secret key, decrypt the discrimination value and the synchronization counter in learning mode. The encoder key is a function of the Manufacturer's Code and the device serial number and/or seed value.

The HCS encoders and decoders employ the KEELOQ code hopping technology and an encryption algorithm to achieve a high level of security. Code hopping is a method by which the code transmitted from the transmitter to the receiver is different every time a button is pushed. This method, coupled with a transmission length of 66 bits, virtually eliminates the use of code 'grabbing' or code 'scanning'.

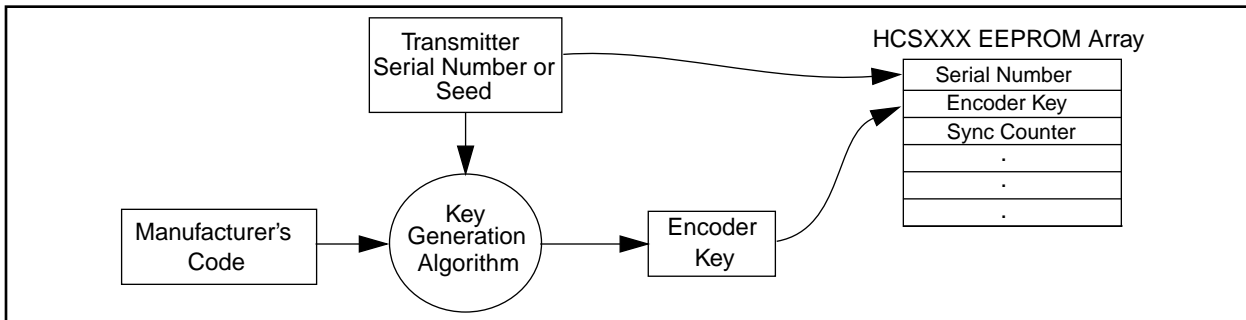
### 1.2 HCS Encoder Overview

The HCS encoders have a small EEPROM array which must be loaded with several parameters before use. The most important of these values are:

- A 28-bit serial number which is meant to be unique for every encoder
- An encoder key that is generated at the time of production
- A 16-bit synchronization value

The serial number for each encoder is programmed by the manufacturer at the time of production. The generation of the encoder key is done using a key generation algorithm (Figure 1-1). Typically, inputs to the key generation algorithm are the serial number of the encoder and a 64-bit manufacturer's code. The manufacturer's code is chosen by the system manufacturer and must be carefully controlled. The manufacturer's code is a pivotal part of the overall system security.

**FIGURE 1-1: CREATION AND STORAGE OF ENCODER KEY DURING PRODUCTION**

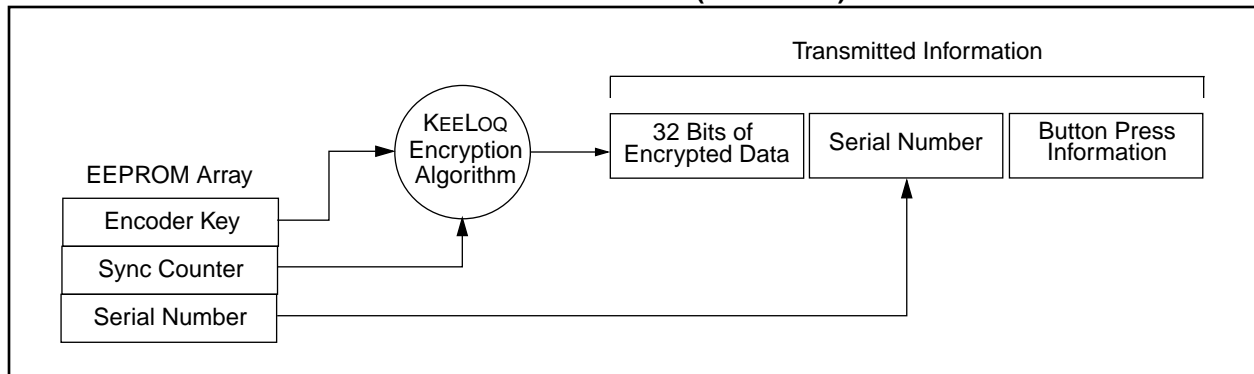


The 16-bit synchronization value is the basis for the transmitted code changing for each transmission and is updated each time a button is pressed. Because of the complexity of the code hopping encryption algorithm, a change in one bit of the synchronization value will result in a large change in the actual transmitted code. There is a relationship (Figure 1-3) between the key values in EEPROM and how they are used in the encoder. Once the encoder detects that a button has been pressed, the encoder reads the button and updates the synchronization counter. The synchronization value is then combined with the encoder key in the encryption algorithm, and the output is 32 bits of encrypted information. This data will change with every button press, hence, it is referred to as the hopping portion of the code word. The 32-bit hopping code is combined with the button information and the serial number to form the code word transmitted to the receiver.

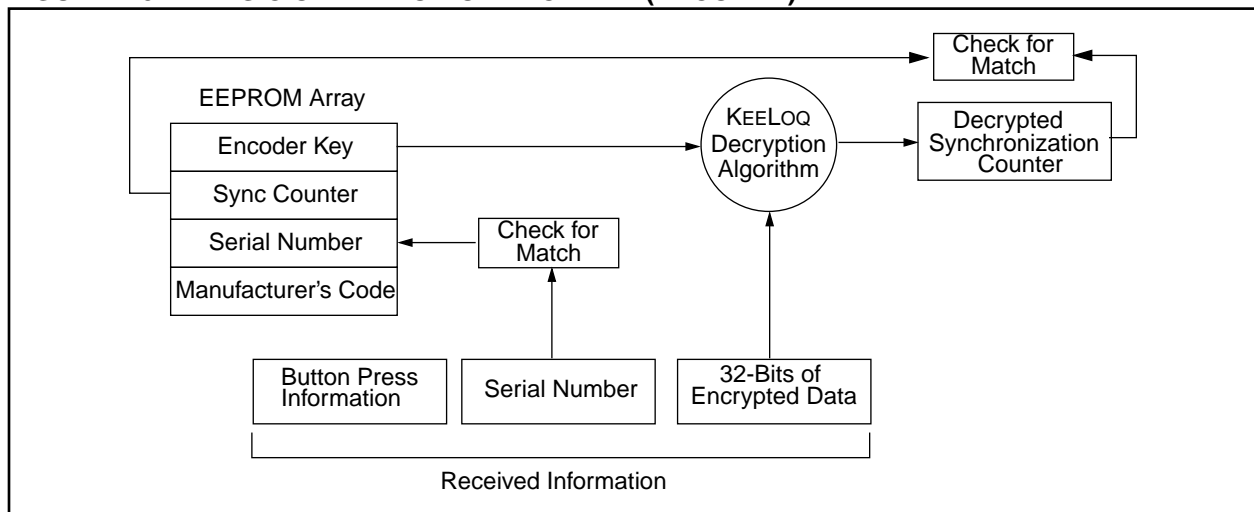
## 1.3 HCS Decoder Overview

Before a transmitter can be used with a particular receiver, the transmitter must be 'learned' by the receiver. Upon learning a transmitter, information is stored by the receiver so that it may track the transmitter, including the serial number of that transmitter, the current synchronization value for that transmitter, and the same encoder key that is used on the transmitter. If a receiver receives a message of valid format, the serial number is checked and, if it is from a learned transmitter, the message is decrypted and the decrypted synchronization counter is checked against what is stored. If the synchronization value is verified, then the button status is checked to see what operation is needed. Figure 1-3 shows the relationship between some of the values stored by the receiver and the values received from the transmitter.

**FIGURE 1-2: BASIC OPERATION OF TRANSMITTER (ENCODER)**



**FIGURE 1-3: BASIC OPERATION OF RECEIVER (DECODER)**



## 2.0 PIN ASSIGNMENT

PIN	Decoder Function	I/O <sup>(1)</sup>	Buffer Type <sup>(1)</sup>	Description
1	LRNIN	I	TTL	Learn input - initiates learning, 10K pull-up required on input
2	LRNOUT	O	TTL	Learn output - indicates learning
3	NC	—	TTL	Do not connect
4	MCLR	I	ST	Master clear input
5	Ground	P	—	Ground connection
6	S0	O	TTL	Switch 0
7	S1	O	TTL	Switch 1
8	S2	O	TTL	Switch 2
9	S3	O	TTL	Switch 3
10	Vlow	O	TTL	Battery low indication output
11	SLEEP	I	TTL	Connect to RFIN to allow wake-up from sleep
12	CLK	I/O	TTL/ST <sup>(2)</sup>	Clock in programming mode and synchronous mode
13	DATA	I/O	TTL/ST <sup>(2)</sup>	Data in programming mode and synchronous mode
14	VDD	P	—	Power connection
15	OSCOUT	—	—	Oscillator out – no connection
16	OSCIN (4 MHz)	I	ST	Oscillator in – recommended values 10 k $\Omega$ and 10pF
17	NC	—	—	
18	RFIN	I	TTL	RF input from receiver

**Note 1:** P = power, I = in, O = out, and ST = Schmitt Trigger input.

**2:** Pin 12 and Pin 13 have a dual purpose. After reset, these pins are used to determine if programming mode is selected in which case they are the clock and data lines. In normal operation, they are the clock and data lines of the synchronous data output stream.

## 3.0 DESCRIPTION OF FUNCTIONS

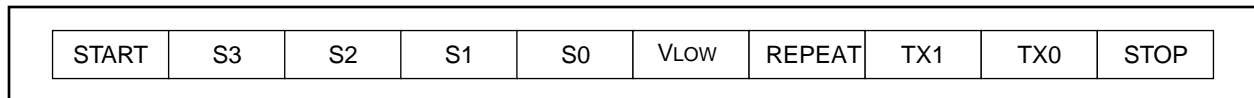
### 3.1 Parallel Interface

The HCS512 activates the S3, S2, S1 & S0 outputs according to Table 3-1 when a new valid code is received. The outputs will be activated for approximately 500 ms. If a repeated code is received during this time, the output extends for approximately 500 ms.

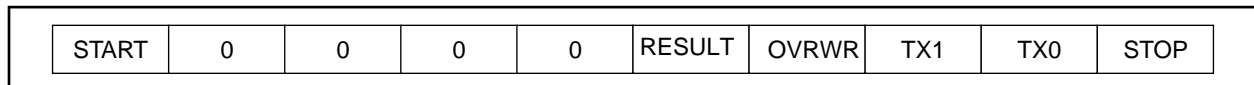
**TABLE 3-1: FUNCTION OUTPUT TABLE**

Function Code	S3	S2	S1	S0
0001	0	0	0	1
0010	0	0	1	0
0011	0	0	1	1
0100	0	1	0	0
0101	0	1	0	1
0110	0	1	1	0
0111	0	1	1	1
1000	1	0	0	0
1001	1	0	0	1
1010	1	0	1	0
1011	1	0	1	1
1100	1	1	0	0
1101	1	1	0	1
1110	1	1	1	0
1111	1	1	1	1

**FIGURE 3-1: DATA OUTPUT FORMAT**



**FIGURE 3-2: STATUS MESSAGE FORMAT**

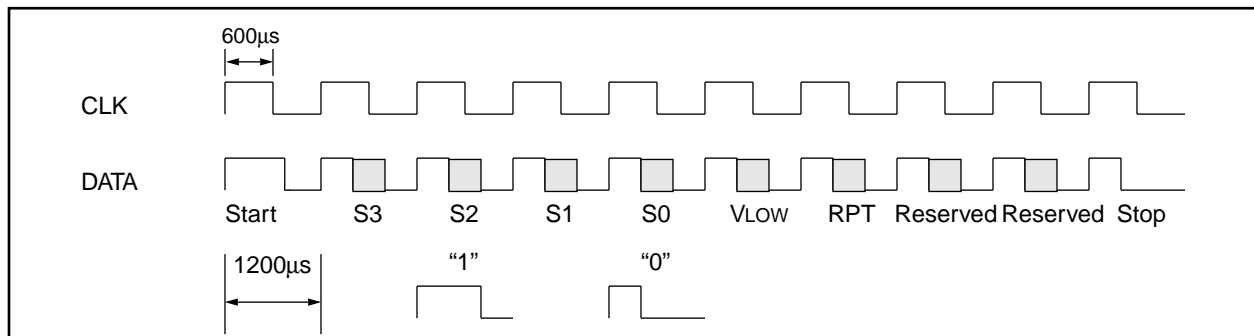


A 1-wire PWM or 2-wire synchronous interface can be used.

In 1-wire mode, the data is transmitted as a PWM signal with a basic pulse width of 400µs.

In 2-wire mode, synchronous mode PWM bits start on the rising edge of the clock, and the bits must be sampled on the falling edge. The start and stop bits are '1'.

**FIGURE 3-3: PWM TRANSMISSION FORMAT**



### 3.2 Serial Interface

The decoder has a PWM/Synchronous interface connection to microcontrollers with limited I/O. An output data stream is generated when a valid transmission is received. The data stream consists of one start bit, four function bits, one bit for battery status, one bit to indicate a repeated transmission, two status bits, and one stop bit. (Table 3-1). The DATA and CLK lines are used to send a synchronous event message.

A special status message is transmitted on the second pass of learn. This allows the controlling microcontroller to determine if the learn was successful (Result = 1) and if a previous transmitter was overwritten (Overwrite = 1). The status message is shown in Figure 3-2.

Table 3-2 show the values for TX1:0 and the number of transmitters learned.

**TABLE 3-2: STATUS BITS**

TX1	TX0	Number of Transmitters
0	0	One
0	1	Two
1	0	Three
1	1	Four

## 4.0 DECODER OPERATION

### 4.1 Learning a Transmitter to a Receiver

Either the serial number-based learning method or the seed-based learning method can be selected. The learning method is selected in the configuration byte. In order for a transmitter to be used with a decoder, the transmitter must first be 'learned'. When a transmitter is learned to a decoder, the decoder stores the encoder key, a check value of the serial number and current synchronization value in EEPROM. The decoder must keep track of these values for every transmitter that is learned. The maximum number of transmitters that can be learned is four. The decoder must also contain the Manufacturer's Code in order to learn a transmitter. The Manufacturer's Code will typically be the same for all decoders in a system.

The HCS512 has four memory slots. After an "erase all" procedure, all the memory slots will be cleared. Erase all is activated by taking  $\overline{\text{LRNIN}}$  low for approximately 10 seconds. When a new transmitter is learned, the decoder searches for an empty memory slot and stores the transmitter's information in that memory slot. When all memory slots are full, the decoder randomly overwrites existing transmitters.

#### 4.1.1 LEARNING PROCEDURE

Learning is activated by taking the  $\overline{\text{LRNIN}}$  input low for longer than 64 ms. This input requires an external pull-up resistor.

To learn a new transmitter to the HCS512 decoder, the following sequence is required:

1. Enter learning mode by pulling  $\overline{\text{LRNIN}}$  low for longer than 64 ms. The LRNOUT output will go high.
2. Activate the transmitter until the LRNOUT output goes low indicating reception of a valid code (hopping message).
3. Activate the transmitter a second time until the LRNOUT toggles for 4 seconds (in secure learning mode, the seed transmission must be transmitted during the second stage of learn by activating the appropriate buttons on the transmitter).

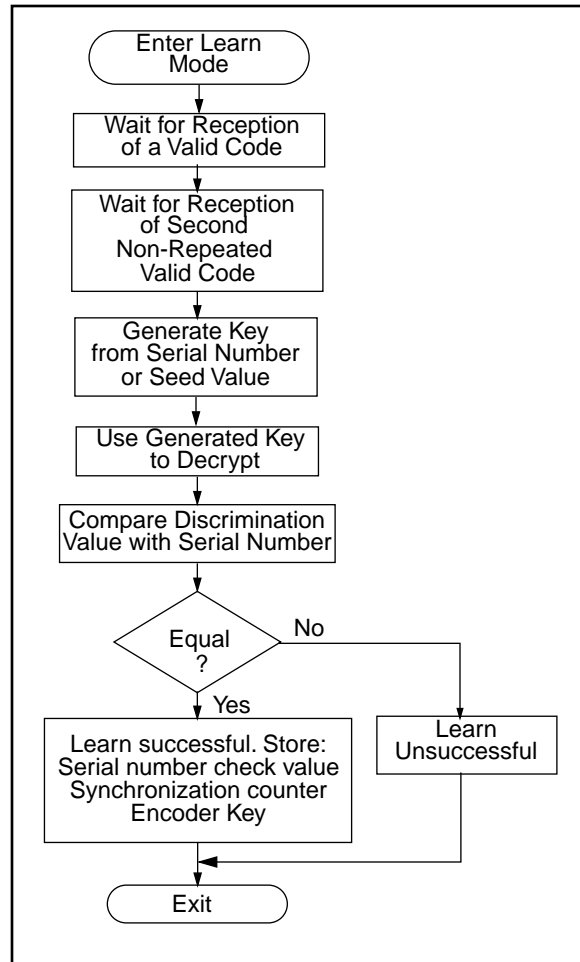
4. If  $\overline{\text{LRNIN}}$  is taken low momentarily during the learn status indication, the indication will be terminated. Once a successful learning sequence is detected, the indication can be terminated allowing quick learning in a manufacturing setup.
4. The transmitter is now learned into the decoder.
5. Repeat steps 1-4 to learn up to four transmitters.
6. Learning will be terminated if two non-sequential codes were received or if two acceptable codes were not decoded within 30 seconds.

The following checks are performed on the decoder to determine if the transmission is valid during learn:

- The first code word is checked for bit integrity.
- The second code word is checked for bit integrity.
- The hopping code is decrypted.
- If all the checks pass, the serial number and synchronization counters are stored in EEPROM memory.

Figure 4-1 shows a flow chart of the learn sequence.

**FIGURE 4-1: LEARN SEQUENCE**



### 4.2 Validation of Codes

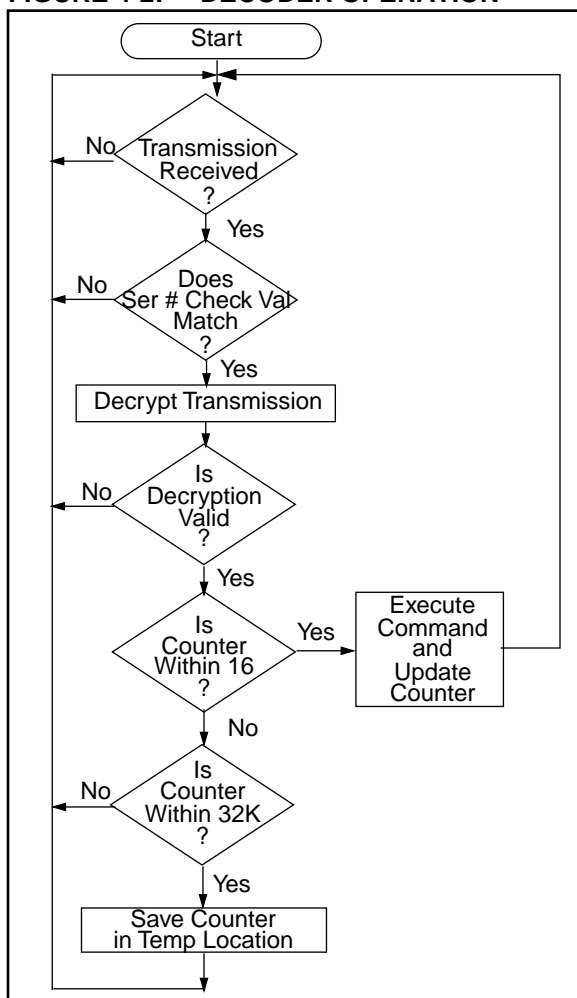
The decoder waits for a transmission and checks the serial number to determine if the transmitter has been learned. If learned, the decoder decrypts the encrypted portion of the transmission using the encoder key. It uses the discrimination bits to determine if the decryption was valid. If everything up to this point is valid, the synchronization value is evaluated.

## 4.3 Validation Steps

Validation consists of the following steps:

- Search EEPROM to find the Serial Number Check Value Match
- Decrypt the Hopping Code
- Compare the 10 bits of discrimination value with the lower 10 bits of serial number
- Check if the synchronization counter falls within the first synchronization window.
- Check if the synchronization counter falls within the second synchronization window.
- If a valid transmission is found, update the synchronization counter, else use the next transmitter block and repeat the tests.

**FIGURE 4-2: DECODER OPERATION**

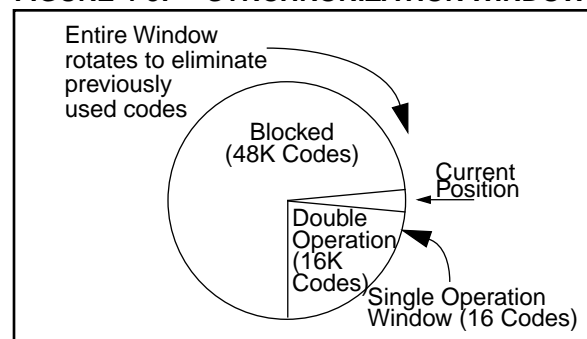


## 4.4 Synchronization with Decoder

The KEELOQ technology features a sophisticated synchronization technique (Figure 4-3) which does not require the calculation and storage of future codes. If the stored counter value for that particular transmitter and the counter value that was just decrypted are within a formatted window of 16, the counter is stored and the

command is executed. If the counter value was not within the single operation window, but is within the double operation window of 16K, the transmitted synchronization value is stored in a temporary location, and it goes back to waiting for another transmission. When the next valid transmission is received, it will check the new value with the one in temporary storage. If the two values are sequential, it is assumed that the counter was outside of the single operation 'window', but is now back in sync, so the new synchronization value is stored and the command executed. If a transmitter has somehow gotten out of the double operation window, the transmitter will not work and must be relearned. Since the entire window rotates after each valid transmission, codes that have been used become part of the 'blocked' (48K) codes and are no longer valid. This eliminates the possibility of grabbing a previous code and retransmitting it to gain entry.

**FIGURE 4-3: SYNCHRONIZATION WINDOW**



## 4.5 Sleep Mode

The sleep mode of the HCS512 is used to reduce current consumption when no RF input signal is present. Sleep mode will only be effective in systems where the RF receiver is relatively quiet when no signal is present. During sleep, the clock stops, thereby significantly reducing the operating current. Sleep mode is enabled by the SLEEP bit in the configuration byte.

The HCS512 will enter sleep mode when:

- The RF line is low
- After a function output is switched off
- Learn mode is terminated (time-out reached)

The device will not enter sleep mode when:

- A function output is active
- Learn sequence active
- Device is in programming mode

The device will wake up from sleep when:

- The SLEEP input pin changes state
- The CLOCK line changes state

**Note:** During sleep mode the CLK line will change from an output line to an input line that can be used to wake up the device. Connect CLK to  $\overline{\text{LRNIN}}$  via a 100K resistor to reliably enter the learn mode whenever sleep mode is active.

## 5.0 INTEGRATING THE HCS512 INTO A SYSTEM

The HCS512 can act as a stand alone decoder or be interfaced to a microcontroller. Typical stand alone applications include garage door openers and electronic door locks. In stand alone applications, the HCS512 will handle learning, reception, decryption, and validation of the received code; and generate the appropriate output. For a garage door opener, the HCS512 input will be connected to an RF receiver, and the output, to a relay driver to connect a motor controller.

Typical systems where the HCS512 will be connected to a microcontroller include vehicle and home security systems. The HCS512 input will be connected to an RF receiver and the function outputs to the microcontroller. The HCS512 will handle all the decoding functions and the microcontroller, all the system functions. The serial output mode with a 1- or 2-wire interface can be used if the microcontroller is I/O limited.

## 6.0 DECODER PROGRAMMING

The PG306001 production programmer will allow easy setup and programming of the configuration byte and the manufacturer's code.

### 6.1 Configuration Byte

The configuration byte is used to set system configuration for the decoder. The LRN bits determine which algorithm (Decrypt or XOR) is used for the key generation. SC\_LRN determines whether normal learn (key derived from serial number) or secure learn (key derived from seed value) is used.

**TABLE 6-1: CONFIGURATION BYTE**

Bit	Name	Description
0	LRN0	Learn algorithm select
1	LRN1	Not used
2	SC_LRN	Secure Learn enable (1 = enabled)
3	SLEEP	Sleep enable (1 = enabled)
4	RES1	Not used
5	RES2	Not used
6	RES3	Not used
7	RES4	Not used

**TABLE 6-2: LEARN METHOD LRN0, LRN1 DEFINITIONS**

LRN0	Description
0	Decrypt algorithm
1	XOR algorithm



## 6.2 Programming the Manufacturer's Code

The manufacturer's code must be programmed into EEPROM memory through the synchronous programming interface using the DATA and CLK lines. Provision must be made for connections to these pins if the decoder is going to be programmed in circuit.

Programming mode is activated if the CLK is low for at least 1ms and then goes high within 64 ms after power-up, stays high for longer than 8ms but not longer than 128 ms. After entering programming mode the 64-bit manufacturer's code, 8-bit configuration byte, and 8-bit checksum is sent to the device using the synchronous interface. After receiving the 80-bit message the checksum is verified and the information is written to EEPROM. If the programming operation was successful, the HCS512 will respond with an acknowledge pulse.

After programming the manufacturer's code, the HCS512 decoder will automatically activate an Erase All function, removing all transmitters from the system.

## 6.3 Download Format

The manufacturer's code and configuration byte must be downloaded least significant byte, least significant bit first as shown in Table 6-3.

## 6.4 Checksum

The checksum is used by the HCS512 to check that the data downloaded was correctly received before programming the data. The checksum is calculated so that the 10 bytes added together (discarding the overflow bits) is zero. The checksum can be calculated by adding the first 9 bytes of data together and subtracting the result from zero. Throughout the calculation the overflow is discarded.

Given a manufacturer's code of 01234567-89ABCDEF<sub>16</sub> and a configuration word of 1<sub>16</sub>, the checksum is calculated as shown in Figure 6-1. The checksum is 3F<sub>16</sub>.

## 6.5 Test Transmitter

The HCS512 decoder will automatically add a test transmitter each time an Erase All Function is done. A test transmitter is defined as a transmitter with a serial number of zero. After an Erase All, the test transmitter will always work without learning and will not check the synchronization counter of the transmitter. Learning of any new transmitters will erase the test transmitter.

**Note 1:** A transmitter with a serial number of zero cannot be learned. Learn will fail after the first transmission.

**2:** Always learn at least one transmitter after an Erase All sequence. This ensures that the test transmitter is erased.

**TABLE 6-3: DOWNLOAD DATA**

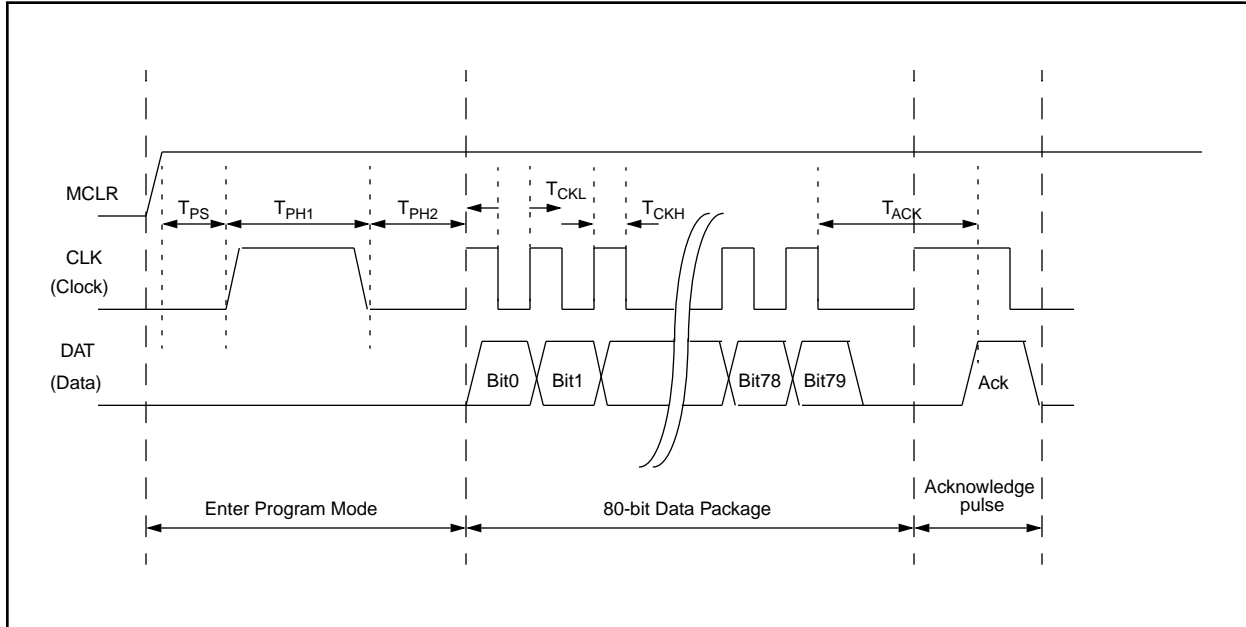
Byte 9	Byte 8	Byte 7	Byte 6	Byte 5	Byte 4	Byte 3	Byte 2	Byte 1	Byte 0
Check-sum	Config	Man Key_7	Man Key_6	Man Key_5	Man Key_4	Man Key_3	Man Key_2	Man Key_1	Man Key_0

Byte 0, right-most bit downloaded first. →

**FIGURE 6-1: CHECKSUM CALCULATION**

$01_{16} + 23_{16} = 24_6$
$24_{16} + 45_{16} = 69_{16}$
$69_{16} + 67_{16} = D0_{16}$
$D0_{16} + 89_{16} = 159_{16}$
$59_{16} + AB_{16} = 104_{16}$ (Carry is discarded)
$04_{16} + CD_{16} = D1_{16}$ (Carry is discarded)
$D1_{16} + EF_{16} = 1C0_{16}$
$C0_{16} + 1_{16} = C1_{16}$ (Carry is discarded)
$(FF_{16} - C1_{16}) + 1_{16} = 3F_{16}$

**FIGURE 6-2: PROGRAMMING WAVEFORMS**



**TABLE 6-4: PROGRAMMING TIMING REQUIREMENTS**

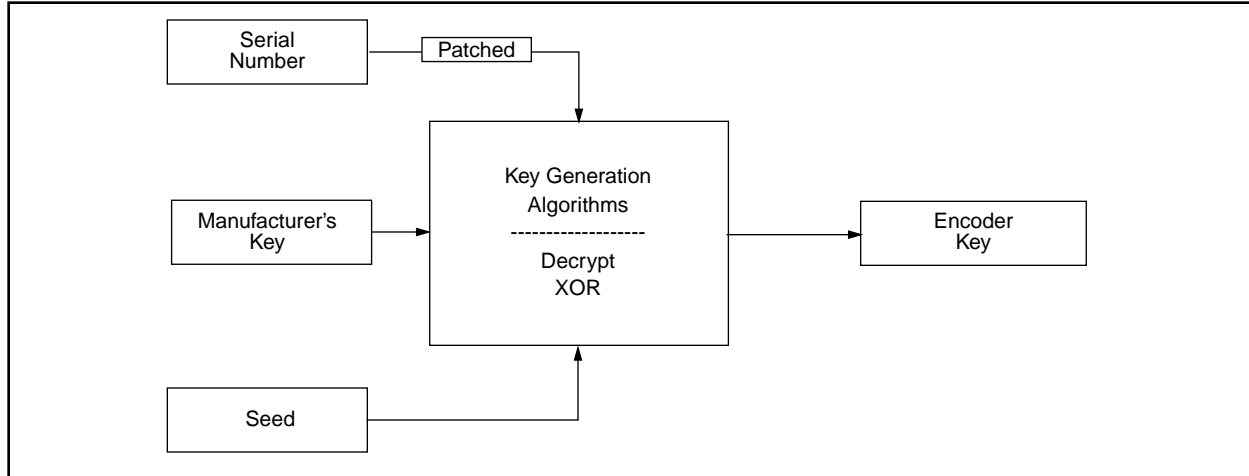
Parameter	Symbol	Min.	Max.	Units
Program mode setup time	TPS	1	64	ms
Hold time 1	TPH1	8	128	ms
Hold time 2	TPH2	0.05	320	ms
Clock High Time	TCKH	0.05	320	ms
Clock Low Time	TCKL	0.050	320	ms
Acknowledge Time	TACK	—	80	ms

Note: FOSC equals 4 MHz.

## 7.0 KEY GENERATION SCHEMES

The HCS512 decoder has two key generation schemes. Normal learning uses the transmitter's serial number to derive two input seeds which are used as inputs to the key generation algorithm. Secure learning uses the seed transmission to derive the two input seeds. Two key generation algorithms are available to convert the inputs seeds to secret keys. The appropriate scheme is selected in the configuration word.

FIGURE 7-1:



### 7.1 Normal Learning (Serial Number Derived)

The two input seeds are composed from the serial number in two ways, depending on the encoder type. The encoder type is determined from the number of bits in the incoming transmission. SourceH is used to calculate the upper 32 bits of the encoder key, and SourceL, for the lower 32 bits.

#### For 24-bit serial number encoders (56-bit transmissions):

$$\text{SourceH} = 65\text{H} + 24 \text{ bit Serial Number}$$

$$\text{SourceL} = 2\text{BH} + 24 \text{ bit Serial Number}$$

#### For 28-bit serial number encoders (66 / 67-bit transmissions):

$$\text{SourceH} = 6\text{H} + 28 \text{ bit Serial Number}$$

$$\text{SourceL} = 2\text{H} + 28 \text{ bit Serial Number}$$

### 7.2 Secure Learning (Seed Derived)

The two input seeds are composed from the seed value that is transmitted during secure learning. The lower 32 bits of the seed transmission is used to compose the lower seed, and the upper 32 bits, for the upper seed. The upper 4 bits (function code) are set to zero.

#### For 32-bit seed encoders:

$$\text{SourceH} = \text{Serial Number}_{\text{Lower 28 bits}} \text{ with upper 4 bits always zero}$$

$$\text{SourceL} = \text{Seed}_{\text{32 bits}}$$

#### For 48-bit seed encoders:

$$\text{SourceH} = \text{Seed}_{\text{Upper 16 bits}} + \text{Serial Number}_{\text{Upper 16 bits}} \text{ with upper 4 bits always zero}$$

$$\text{SourceL} = \text{Seed}_{\text{Lower 32 bits}}$$

#### For 64-bit seed encoders:

**Note:** 64-bit seeds are handled as 48-bit seeds

$$\text{SourceH} = \text{Seed}_{\text{Upper 16 bits}} + \text{Serial Number}_{\text{Upper 16 bits}} \text{ with upper 4 bits always zero}$$

$$\text{SourceL} = \text{Seed}_{\text{Lower 32 bits}}$$

## 7.3 Key Generation Algorithms

There are two key generation algorithms implemented in the HCS512 decoder. The KEELOQ decryption algorithm provides a higher level of security than the XOR algorithm. Section 6.1 describes the selection of the algorithms in the configuration byte.

### 7.3.1 KEELOQ DECRYPT ALGORITHM

This algorithm uses the KEELOQ decryption algorithm and the manufacturer's code to derive the encoder key as follows:

Key<sub>Upper 32 bits</sub> = F<sub>KEELOQ Decrypt</sub> (SourceH) | 64 Bit Manufacturers Code

Key<sub>Lower 32 bits</sub> = F<sub>KEELOQ Decrypt</sub> (SourceL) | 64 Bit Manufacturers Code

### 7.3.2 XOR WITH THE MANUFACTURER'S CODE

The two 32-bits seeds are XOR with the manufacturer's code to form the 64 bit encoder key.

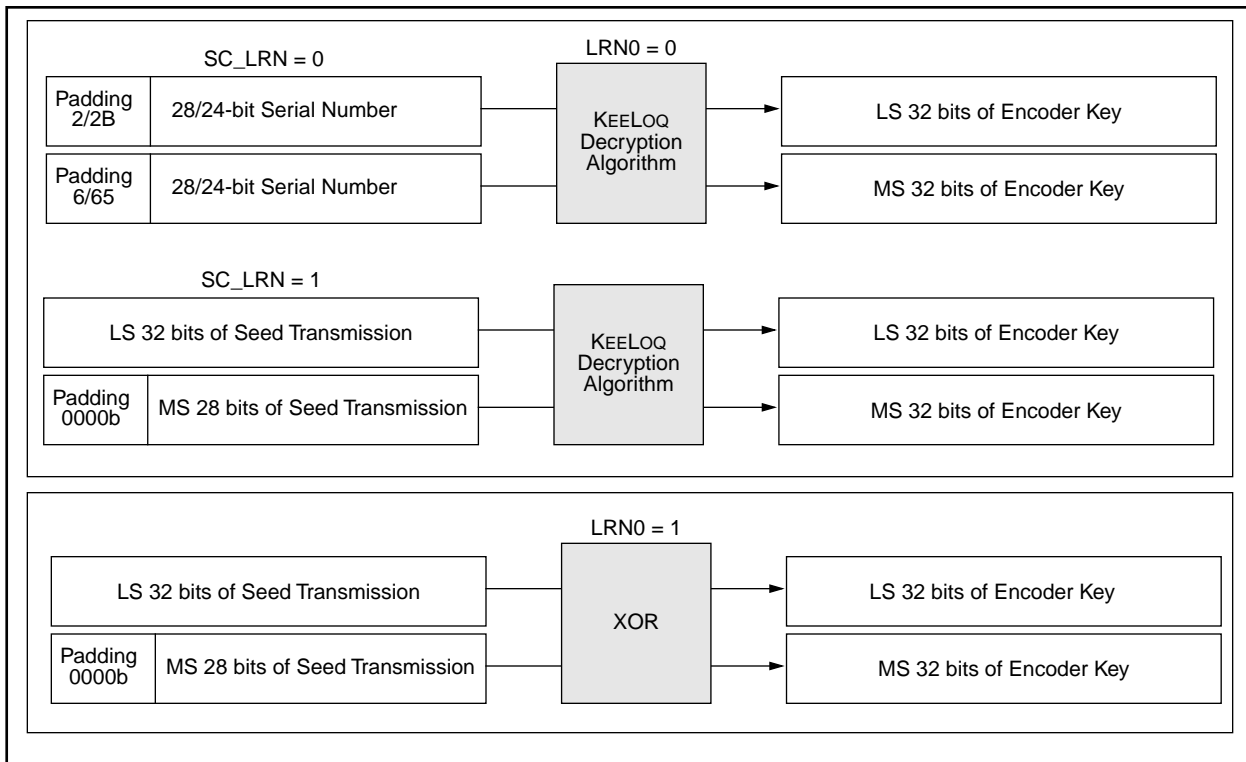
Key<sub>Upper 32 bits</sub> = SourceH ⊗ Manufacturers Code | Upper 32 bits

Key<sub>Lower 32 bits</sub> = SourceL ⊗ Manufacturers Code | Lower 32 bits

After programming the manufacturer's code, the HCS512 decoder will automatically activate an Erase All function, removing all transmitters from the system.

If  $\overline{\text{LRNIN}}$  is taken low momentarily during the learn status indication, the indication will be terminated. Once a successful learning sequence is detected, the indication can be terminated, allowing quick learning in a manufacturing set up.

**FIGURE 7-2: HCS512 KEY GENERATION**



## 8.0 KEELOQ ENCODERS

### 8.1 Transmission Format (PWM)

The KEELOQ encoder transmission is made up of several parts (Figure 8-1). Each transmission begins with a preamble and a header, followed by the encrypted and then the fixed data. The actual data is 56/66/67 bits which consists of 32 bits of encrypted data and 24/34/35 bits of non-encrypted data. Each transmission is followed by a guard period before another transmission can begin. The encrypted portion provides up to four billion changing code combinations and includes the button status bits (based on which buttons were activated) along with the synchronization counter value and some discrimination bits. The non-encrypted portion is comprised of the status bits, the function bits, and the 24/28-bit serial number. The encrypted and non-encrypted combined sections increase the number of combinations to  $7.38 \times 10^{19}$ .

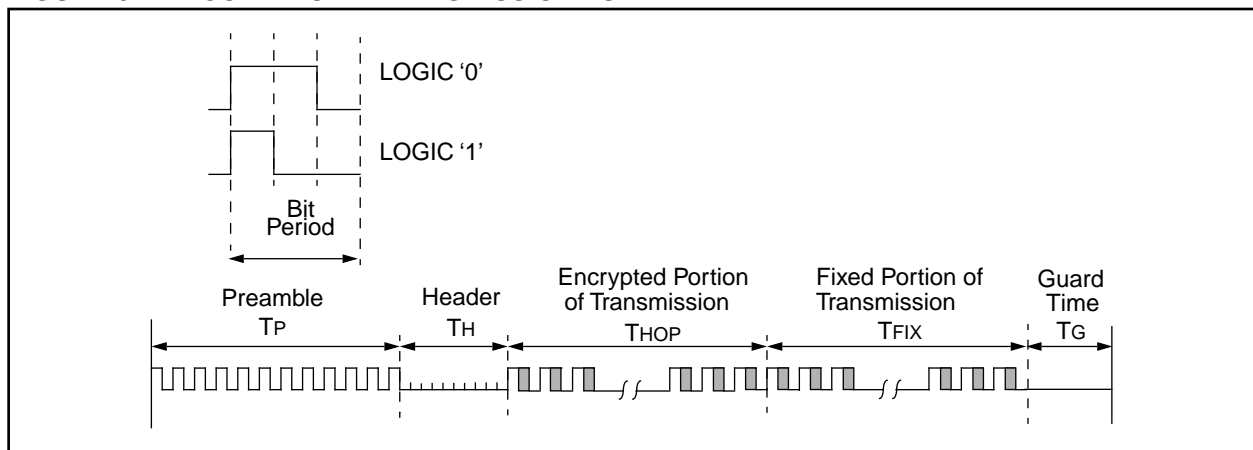
### 8.2 Code Word Organization

The HCSXXX encoder transmits a 66/67-bit code word when a button is pressed. The 66/67-bit word is constructed from an encryption portion and a non-encrypted code portion (Figure 8-2).

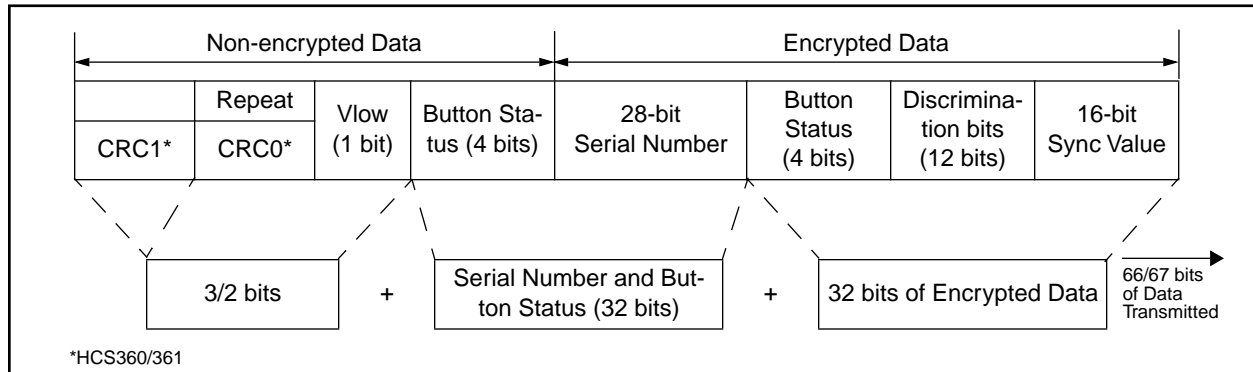
The **Encrypted Data** is generated from four button bits, two overflow counter bits, ten discrimination bits, and the 16-bit synchronization value.

The **Non-encrypted Data** is made up from 2 status bits, 4 function bits, and the 28/32-bit serial number.

**FIGURE 8-1: CODE WORD TRANSMISSION FORMAT**



**FIGURE 8-2: CODE WORD ORGANIZATION**



# HCS512

---

## 9.0 ELECTRICAL CHARACTERISTICS FOR HCS512

### Absolute Maximum Ratings †

Ambient temperature under bias.....	-55°C to +125°C
Storage temperature .....	-65°C to +150°C
Voltage on any pin with respect to Vss (except VDD).....	-0.6V to VDD +0.6V
Voltage on VDD with respect to Vss.....	0 to +7.5V
Total power dissipation (Note 1).....	800 mW
Maximum current out of Vss pin .....	150 mA
Maximum current into VDD pin .....	100 mA
Input clamp current, I <sub>IK</sub> (V <sub>I</sub> < 0 or V <sub>I</sub> > VDD).....	± 20 mA
Output clamp current, I <sub>OK</sub> (V <sub>O</sub> < 0 or V <sub>O</sub> > VDD).....	± 20 mA
Maximum output current sunk by any I/O pin.....	25 mA
Maximum output current sourced by any I/O pin.....	20 mA

**Note:** Power dissipation is calculated as follows:  $P_{dis} = V_{DD} \times \{I_{DD} - \sum I_{OH}\} + \sum \{(V_{DD} - V_{OH}) \times I_{OH}\} + \sum (V_{OL} \times I_{OL})$

† NOTICE: Stresses above those listed under “Absolute Maximum Ratings” may cause permanent damage to the device. This is a stress rating only and functional operation of the device at those or any other conditions above those indicated in the operation listings of this specification is not implied. Exposure to maximum rating conditions for extended periods may affect device reliability.

**TABLE 9-1: DC CHARACTERISTICS**

		<b>Standard Operating Conditions (unless otherwise stated)</b>				
		Operating temperature				
		Commercial (C): $0^{\circ}\text{C} \leq T_A \leq +70^{\circ}\text{C}$ for commercial				
		Industrial (I): $-40^{\circ}\text{C} \leq T_A \leq +85^{\circ}\text{C}$ for industrial and				
Symbol	Characteristic	Min	Typ <sup>(†)</sup>	Max	Units	Conditions
VDD	Supply Voltage	3.0	—	6.0	V	
VPOR	VDD start voltage to ensure Reset	—	VSS	—	V	
SVDD	VDD rise rate to ensure Reset	0.05*	—	—	V/ms	
IDD	Supply Current	—	1.8	4.5	mA	FOSC = 4 MHz, VDD = 5.5V (During EEPROM programming) In SLEEP mode
		—	7.3	10	mA	
		—	15	32	μA	
VIL	Input Low Voltage	VSS	—	0.16 VDD	V	except MCLR = 0.2 VDD
VIH	Input High Voltage	0.48 VDD	—	VDD	V	except MCLR = 0.85 VDD
VOL	Output Low Voltage	—	—	0.6	V	IOL = 8.5 mA, VDD = 4.5V
VOH	Output High Voltage	VDD-0.7	—	—	V	IOH = -3.0 mA, VDD = 4.5V

†Data in "Typ" column is at 5.0V, 25°C unless otherwise stated. These parameters are for design guidance only and are not tested.

\*These parameters are characterized but not tested.

Note: Negative current is defined as coming out of the pin.

**TABLE 9-2: AC CHARACTERISTICS**

Symbol	Characteristic	Min	Typ	Max	Units	Conditions
FOSC	Oscillator frequency	2.7	4	6.21	MHz	Rext = 10K, Cext = 10pF
TE	PWM elemental pulse width	65	—	1080	μs	4.5V < VDD < 5.5V Oscillator components tolerance < 6%.
		130	—	1080	μs	3V < VDD < 6V Oscillator components tolerance < 10%
TOD	Output delay	70	90	115	ms	
TA	Output activation time	322	500	740	ms	
TRPT	REPEAT activation time	32	50	74	ms	
TLRN	LRNIN activation time	21	32	—	ms	
TMCLR	MCLR low time	150	—	—	ns	
TOV	Time output valid	—	150	222	ms	

**FIGURE 9-1: RESET WATCHDOG TIMER, OSCILLATOR START-UP TIMER AND POWER-UP TIMER TIMING**

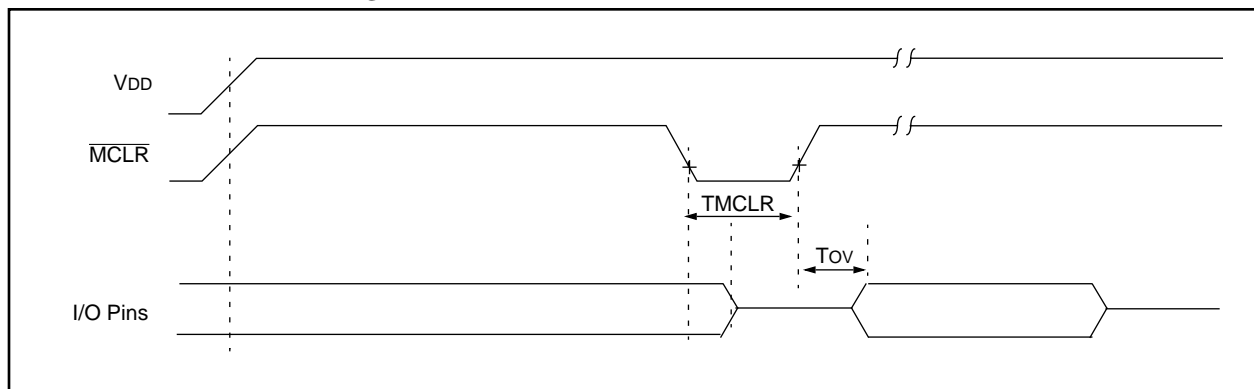
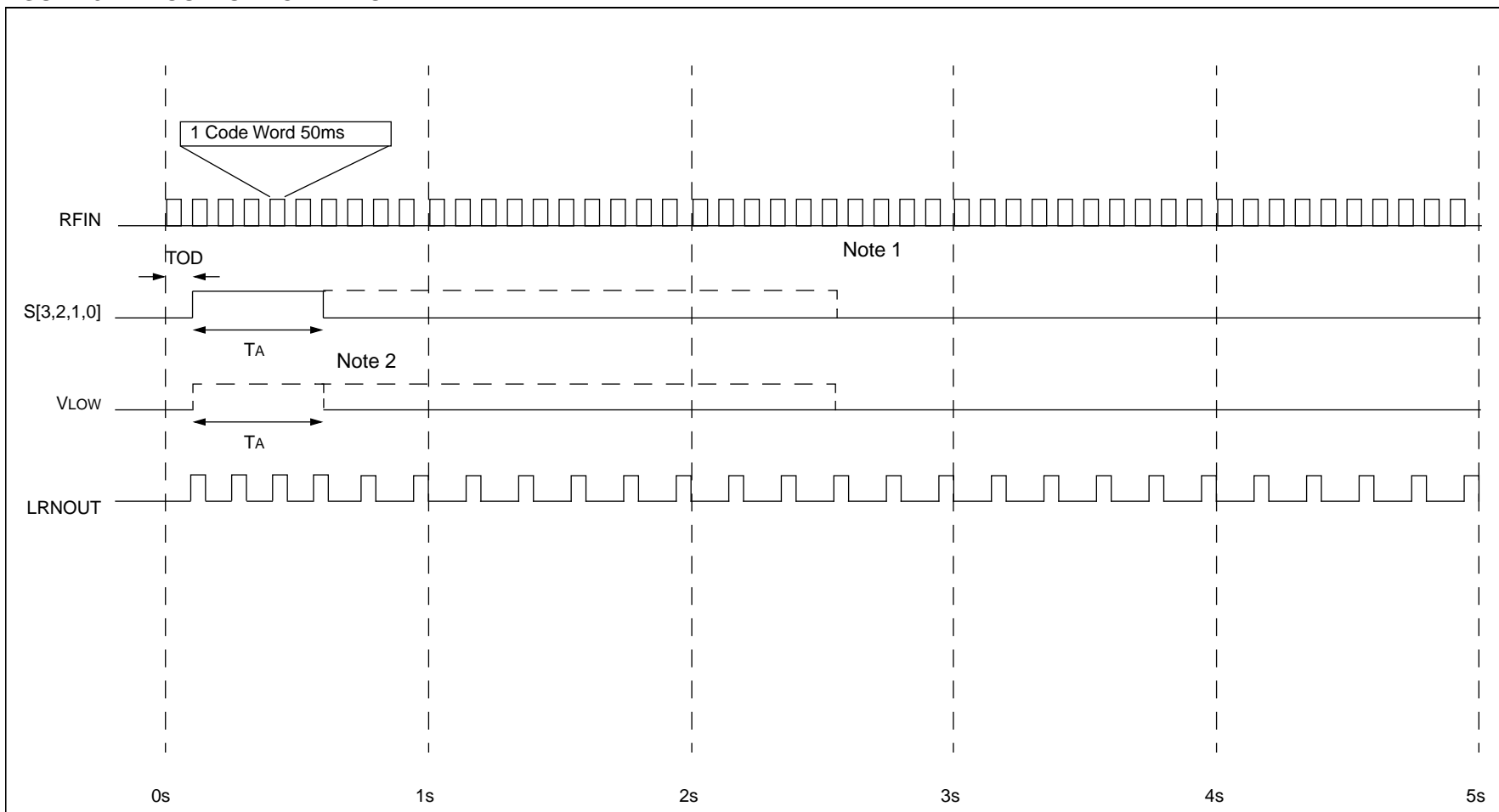


FIGURE 9-2: OUTPUT ACTIVATION



- Note 1:** Output is activated as long as code is received.
- 2:** Output is activated if battery low (VLOW) is detected.

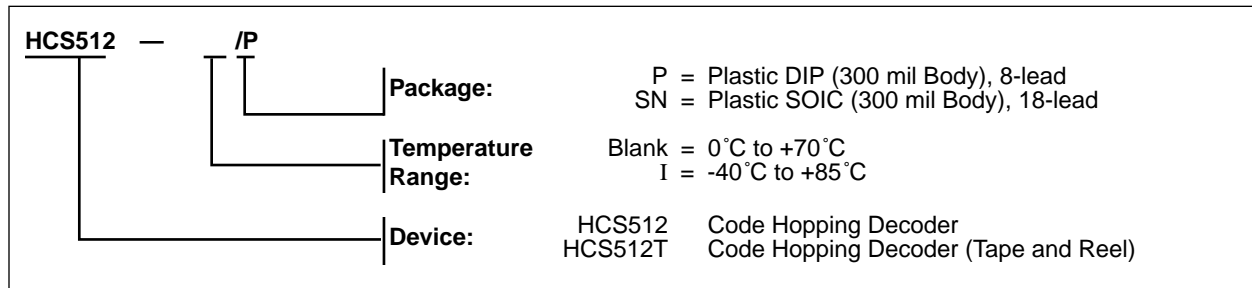




NOTES:

## HCS512 PRODUCT IDENTIFICATION SYSTEM

To order or obtain information, e.g., on pricing or delivery, refer to the factory or the listed sales office.



### Sales and Support

#### Data Sheets

Products supported by a preliminary Data Sheet may have an errata sheet describing minor operational differences and recommended workarounds. To determine if an errata sheet exists for a particular device, please contact one of the following:

1. Your local Microchip sales office.
2. The Microchip Corporate Literature Center U.S. FAX: (602) 786-7277.
3. The Microchip's Bulletin Board, via your local CompuServe number (CompuServe membership NOT required).

Please specify which device, revision of silicon and Data Sheet (include Literature #) you are using.



**MICROCHIP**

---

## WORLDWIDE SALES & SERVICE

---

### AMERICAS

#### Corporate Office

Microchip Technology Inc.  
2355 West Chandler Blvd.  
Chandler, AZ 85224-6199  
Tel: 602-786-7200 Fax: 602-786-7277  
Technical Support: 602 786-7627  
Web: <http://www.microchip.com>

#### Atlanta

Microchip Technology Inc.  
500 Sugar Mill Road, Suite 200B  
Atlanta, GA 30350  
Tel: 770-640-0034 Fax: 770-640-0307

#### Boston

Microchip Technology Inc.  
5 Mount Royal Avenue  
Marlborough, MA 01752  
Tel: 508-480-9990 Fax: 508-480-8575

#### Chicago

Microchip Technology Inc.  
333 Pierce Road, Suite 180  
Itasca, IL 60143  
Tel: 630-285-0071 Fax: 630-285-0075

#### Dallas

Microchip Technology Inc.  
14651 Dallas Parkway, Suite 816  
Dallas, TX 75240-8809  
Tel: 972-991-7177 Fax: 972-991-8588

#### Dayton

Microchip Technology Inc.  
Two Prestige Place, Suite 150  
Miamisburg, OH 45342  
Tel: 937-291-1654 Fax: 937-291-9175

#### Los Angeles

Microchip Technology Inc.  
18201 Von Karman, Suite 1090  
Irvine, CA 92612  
Tel: 714-263-1888 Fax: 714-263-1338

#### New York

Microchip Technology Inc.  
150 Motor Parkway, Suite 416  
Hauppauge, NY 11788  
Tel: 516-273-5305 Fax: 516-273-5335

#### San Jose

Microchip Technology Inc.  
2107 North First Street, Suite 590  
San Jose, CA 95131  
Tel: 408-436-7950 Fax: 408-436-7955

#### Toronto

Microchip Technology Inc.  
5925 Airport Road, Suite 200  
Mississauga, Ontario L4V 1W1, Canada  
Tel: 905-405-6279 Fax: 905-405-6253

### ASIA/PACIFIC

#### Hong Kong

Microchip Asia Pacific  
RM 3801B, Tower Two  
Metroplaza  
223 Hing Fong Road  
Kwai Fong, N.T., Hong Kong  
Tel: 852-2-401-1200 Fax: 852-2-401-3431

#### India

Microchip Technology Inc.  
India Liaison Office  
No. 6, Legacy, Convent Road  
Bangalore 560 025, India  
Tel: 91-80-229-4036 Fax: 91-80-559-9840

#### Korea

Microchip Technology Korea  
168-1, Youngbo Bldg. 3 Floor  
Samsung-Dong, Kangnam-Ku  
Seoul, Korea  
Tel: 82-2-554-7200 Fax: 82-2-558-5934

#### Shanghai

Microchip Technology  
RM 406 Shanghai Golden Bridge Bldg.  
2077 Yan'an Road West, Hong Qiao District  
Shanghai, PRC 200335  
Tel: 86-21-6275-5700  
Fax: 86 21-6275-5060

#### Singapore

Microchip Technology Taiwan  
Singapore Branch  
200 Middle Road  
#10-03 Prime Centre  
Singapore 188980  
Tel: 65-334-8870 Fax: 65-334-8850

#### Taiwan, R.O.C

Microchip Technology Taiwan  
10F-1C 207  
Tung Hua North Road  
Taipei, Taiwan, ROC  
Tel: 886 2-717-7175 Fax: 886-2-545-0139

### EUROPE

#### United Kingdom

Arizona Microchip Technology Ltd.  
Unit 6, The Courtyard  
Meadow Bank, Furlong Road  
Bourne End, Buckinghamshire SL8 5AJ  
Tel: 44-1628-851077 Fax: 44-1628-850259

#### France

Arizona Microchip Technology SARM  
Zone Industrielle de la Bonde  
2 Rue du Buisson aux Fraises  
91300 Massy, France  
Tel: 33-1-69-53-63-20 Fax: 33-1-69-30-90-79

#### Germany

Arizona Microchip Technology GmbH  
Gustav-Heinemann-Ring 125  
D-81739 München, Germany  
Tel: 49-89-627-144 0 Fax: 49-89-627-144-44


#### Italy

Arizona Microchip Technology SRL  
Centro Direzionale Colleoni  
Palazzo Taurus 1 V. Le Colleoni 1  
20041 Agrate Brianza  
Milan, Italy  
Tel: 39-39-6899939 Fax: 39-39-6899883

### JAPAN

Microchip Technology Intl. Inc.  
Benex S-1 6F  
3-18-20, Shinyokohama  
Kohoku-Ku, Yokohama-shi  
Kanagawa 222 Japan  
Tel: 81-45-471- 6166 Fax: 81-45-471-6122

7/29/97

All rights reserved. ©1997, Microchip Technology Incorporated, USA. 6/97  Printed on recycled paper.

Information contained in this publication regarding device applications and the like is intended for suggestion only and may be superseded by updates. No representation or warranty is given and no liability is assumed by Microchip Technology Incorporated with respect to the accuracy or use of such information, or infringement of patents or other intellectual property rights arising from such use or otherwise. Use of Microchip's products as critical components in life support systems is not authorized except with express written approval by Microchip. No licenses are conveyed, implicitly or otherwise, under any intellectual property rights. The Microchip logo and name are registered trademarks of Microchip Technology Inc. in the U.S.A. and other countries. All rights reserved. All other trademarks mentioned herein are the property of their respective companies.