

Single chip Hi-Fi audio signal processor

BH7800K

The BH7800K incorporates the functions for a VHS audio signal processing system on a single chip. The circuits on the chip are a peak-noise reduction processor (PNR), an FM modulator / demodulator circuit, an I / O switcher, an automatic FM detector circuit, an FM bandpass filter, and a regulator circuit.

●Applications

VCRs

●Features

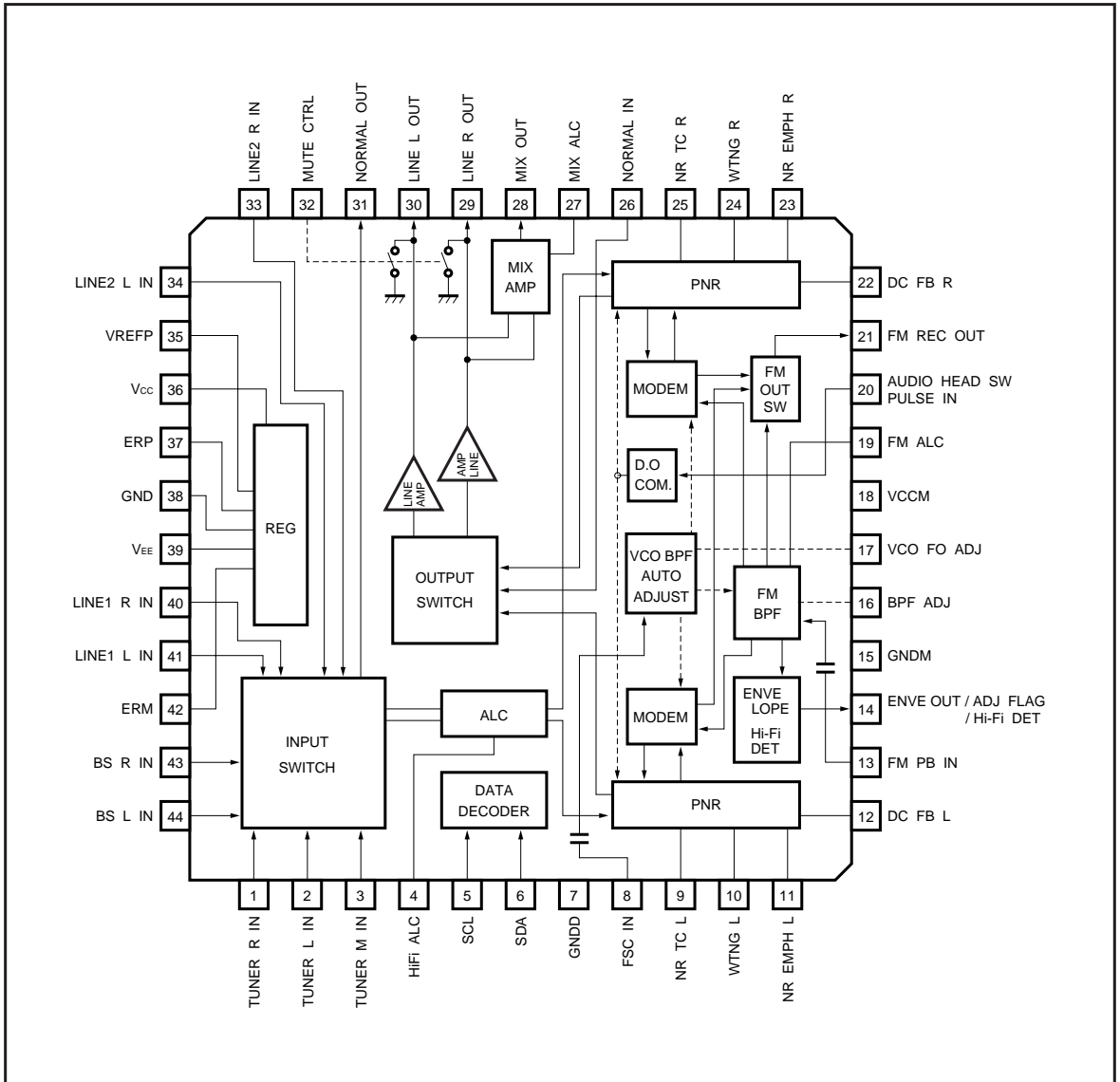
- 1) Operates off dual \pm power supply which allows a large reduction in the number of coupling capacitors required. A built-in regulator makes it easy to construct a power supply system.
- 2) A two-line SSB (Synchronized Serial Bus) control decoder circuit is provided, allowing the various IC modes to be set using serial control.
- 3) A four line input switcher is included (tuner, BS, and line 1 / 2). The output switcher can switch between STEREO, LEFT, and RIGHT, and Hi-Fi, MIX, and NORMAL, and a BS MONITOR function is also provided.
- 4) The PNR processor and FM modulator / demodulator circuit have reversed characteristics at recording and playback. In addition, the adjustment for carrier frequency and FM deviation / playback level are common.
- 5) The built-in bandpass filter excels at attenuation of other channels, and can be directly coupled to the playback amplifier. The FM recording output block has a high-performance low-pass filter to produce sine wave output.
- 6) Slope-control-type FM-switching-noise compensation circuit.
- 7) Envelope detector circuit and noise-detector-type automatic FM detector circuit.
- 8) VCO that uses the color signal sub-carrier frequency f_{sc} (NTSC: 3.59545MHz, PAL: 4.433619MHz) and auto-adjusting BPF circuit ensure stable adjustment with no fluctuation due to mounting stress or time.

●Absolute maximum ratings (Ta = 25°)

Parameter	Symbol	Limits	Unit
Applied voltage	V _{CC}	18, 36pin 6.0	V
	V _{EE}	39pin - 6.0	V
	V _{IN}	5, 6, 32pin 6.5	V
	V _{IN}	Pins other than the above ... 6.0	V
Power dissipation	P _d	850*	mW
Operating temperature	T _{opr}	- 10 ~ + 70	°C
Storage temperature	T _{stg}	- 55 ~ + 125	°C

* Reduced by 8.5mW for each increase in Ta of 1°C over 25°C when mounted on a 70mm × 70mm, t = 1.6mm glass epoxy board.

●Block diagram



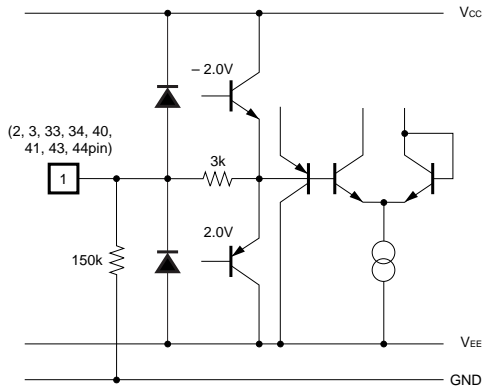
●Pin descriptions

Pin No.	Pin name	Function	Voltage	Format
2, 1, 3	TUNER IN L, R, M	Tuner input (L, R, M)	0.0V	150kΩ
4	Hi-Fi ALC	ALC time constant setting for Hi-Fi audio	0.0V	EF (NPN) ~ 200Ω
5	SCL	CLOCK input for SSB control	—	B (PNP)
6	SDA	DATA input for SSB bus control	—	B (PNP)
7	GNDD	GND for serial control	—	—
8	FSC IN	fsc input for VCO and BPF adjustment	0.0V	200kΩ
9, 25	NR TC L, R	PNR attack and recovery time setting Attack R: 530Ω, Recovery R: 6.5kΩ	- 5.0V	—
10, 24	WTNG L, R	Waiting characteristic, treble time constant (external C = 0.0047μF)	0.0V	—
11, 23	NR EMPH L, R	NR emphasis time constant setting (External C = 0.0047μF)	0.0V	—
12, 22	DC FB L, R	PNR operating reference potential point	0.0V	23kΩ
13	FM PB IN	Playback FM input 1320mV _{P-P} Typ. Input coupling capacitor (GND ~ V _{CC})	0.0V	100kΩ
14	ENVE OUT / ADJ FLAG / Hi-Fi DET	FM Lch signal component envelope output / Hi-Fi DET output / ADJ FLAG output for ADJ	EE: 0.8V PB: 1.0V	EE: 50kΩ PB, ADJ: EF (NPN)
15	GNDM	GND for PNR, MODEM and BPF	0.0V	—
16	BPF f ₀ ADJ	Center frequency adjustment for FM BPF	1.9V	EF (NPN) ~ 200Ω
17	VCO f ₀ ADJ	VCO control current setting	2.5V	EF (NPN)
18	VCCM	V _{CC} for MODEM and BPF	5.0V	—
19	FM ALC	FM ALC time constant setting	0.0V	EF (NPN) ~ 2.5kΩ
20	AHSWP IN	Audio head switching pulse input	—	B (PNP)
21	FM REC OUT	EE: recording FM output, sine wave output PB: FM BPF output monitor	3.3V	EF (NPN) ~ 200Ω
26	NORMAL IN	Normal input	0.0V	100kΩ
27	MIX ALC	ALC time constant setting for mixer amplifier Attack and recovery time setting	- 5.0V	EF (NPN) ~ 500Ω
28	MIX OUT	Mixer amplifier output for RF converter	0.0V	EF (NPN)
30, 29	LINE L, R OUT	Line output	0.0V	330Ω
31	NORMAL OUT	Normal output	0.0V	EF (P-P)
32	MUTE CTRL	Line output mute control input	—	3kΩ (> 2.5V)
34, 33	LINE2 L, R IN	Line2 input (L, R)	0.0V	150kΩ
35	VREFP	V _{CC} / 2 reference voltage (power on detect and pre-charge functions)	2.5V	10kΩ
36	V _{CC}	V _{CC} regulator	5.0V	—
37	ERP	V _{CC} regulator error output	5.0V	C (NPN)
38	GND	I / O switch GND	0.0V	—
39	V _{EE}	V _{EE} regulator	- 5.0V	—
41, 40	LINE1 IN L, R	LINE1 input (L, R)	0.0V	150kΩ
42	ERM	V _{EE} regulator error output	- 5.0V	C (PNP)
44, 43	BS IN L, R	BS input (L, R)	0.0V	150kΩ

Note: EF: emitter follower, P-P: push pull, B: base, and C: collector.
All numerical values are standardized values.

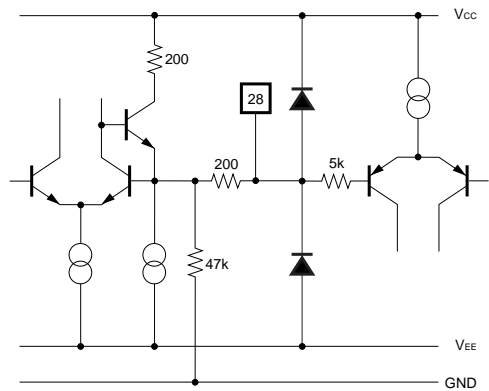
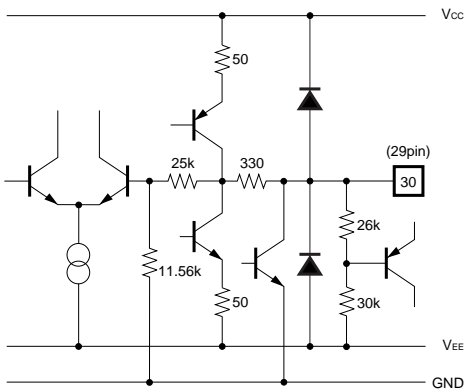
● Input / output circuits

TUNER L / R / M IN (2, 1, 3pin) BS L / R IN (44, 43pin) LINE1 L / R IN (41, 40pin) LINE2 L / R IN (34, 33pin)



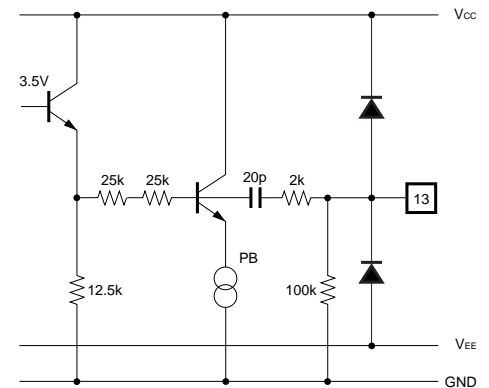
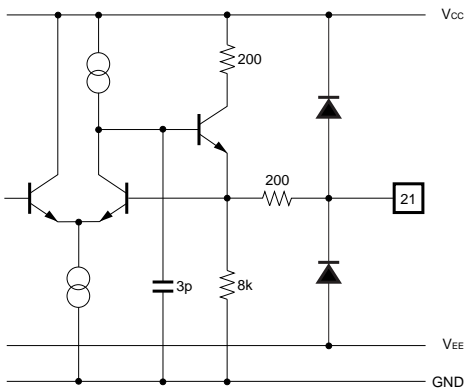
LINE L / R OUT (30, 29pin)

MIX OUT (28pin)

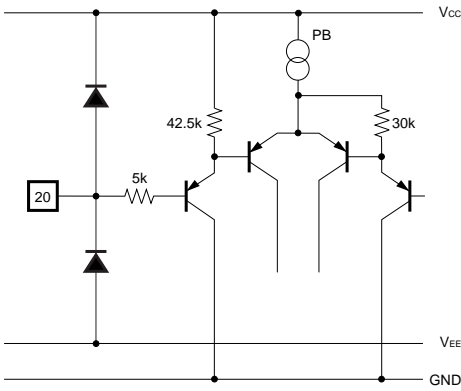


FM REC OUT (21pin)

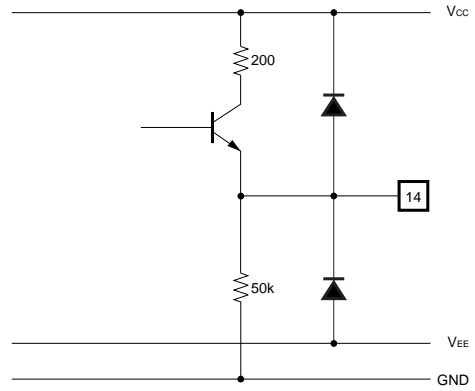
FM PB IN (13pin)



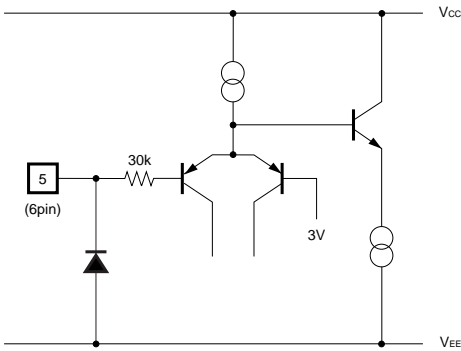
AHSWP IN (20pin)



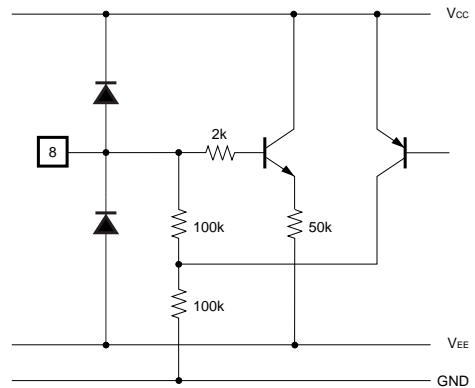
ENVE OUT / ADJ FLAG / Hi-Fi DET (14pin)



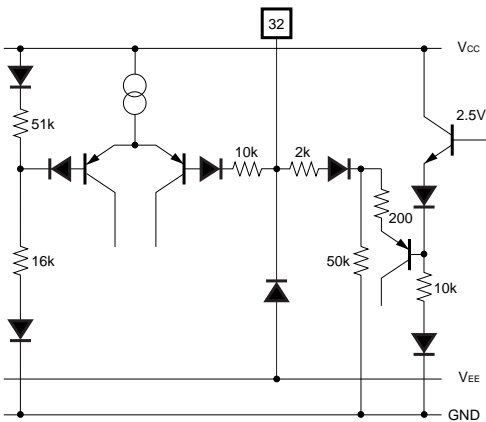
SCL (5pin) SDA (6pin)



FSC IN (8pin)



MUTE CTRL (32pin)



●Electrical characteristics (unless otherwise noted, Ta = 25°, UNREG – Vcc = + 10V, UNREG – VEE = – 10V)

• Output switch control (W1bit5, W1bit4, W1bit3)	: STEREO
• BS L2 Through / LINE MUTE control (W1bit2, W1bit1)	: BSL2 Through / LINE MUTE OFF
• LINE AMP gain control (W1bit7, W1bit6)	: Typ. (+ 9.8dB)
• FM output control (W5bit5)	: FM OUTPUT ON
• FM OUT switch control (W2bit4, W2bit3, W2bit2)	: FM REC output, MIX ratio 1 (-12.5dB)
• NTSC / PAL control (W2bit0)	: NTSC
• Recording MUTE (W2bit1)	: Recording $\overline{\text{MUTE}}$
• Hi-Fi MUTE (W1bit0)	: OFF
• Normal input switch control (W3bit4, W3bit3)	: Hi-Fi MIX
• Hi-Fi ALC control (W3bit0)	: OFF
• ENVELOPE GAIN (Typ. / + 4dB / + 6dB) control (W4bit4, W4bit3)	: Typ.
• FM detector level control (W4bit7, W4bit6)	: Typ.
• ENVE characteristic control (W4bit5)	: FNORM detect, no ENVE output
• DAC TEST control (W4bit2)	: OFF
• MUTE control (pin 32)	: L ($\overline{\text{MUTE}}$)

Signal frequency f = 1kHz

- INPUT condition 1: TU / BS / LINE1 / LINE2 $V_{IN} = -20\text{dBV}$
- INPUT condition 2: TU / BS / LINE1 / LINE2 $V_{IN} = -9.8\text{dBV}$
- INPUT condition 3: TU / BS / LINE1 / LINE2 $V_{IN} = -5.0\text{dBV}$

MODEM carrier frequency NTSC	Lch	1.30MHz
MODEM carrier frequency NTSC	Rch	1.70MHz
MODEM carrier frequency PAL	Lch	1.40MHz
MODEM carrier frequency PAL	Rch	1.80MHz
fsc	NTSC	3.579545MHz
fsc	PAL	4.433619MHz

Parameter	Symbol	Min.	Typ.	Max.	Unit	Conditions
[REGULATOR]						
Quiescent current (positive supply) EE	I_{QP_EE}	30.0	40.0	53.0	mA	EE MODE, after carrier frequency adjustment with no input
Quiescent current (positive supply) PB	I_{QP_PB}	40.0	54.0	72.0	mA	PB MODE, carrier frequency adjustment FNORM, after BPF adjustment
Quiescent current (negative supply) EE	I_{QM_EE}	-20.0	-15.0	-11.0	mA	EE MODE, after carrier frequency adjustment with no input
Quiescent current (negative supply) PB	I_{QM_PB}	-22.0	-16.0	-12.0	mA	PB MODE, carrier frequency adjustment FNORM, after BPF adjustment
Regulator input voltage (positive)	V_{CC}	4.75	5.10	5.45	V	
Regulator input voltage (negative)	V_{EE}	-5.35	-5.00	-4.65	V	
[EE THROUGH] (INPUT: TU IN L/R, LINE1 IN L/R, LINE2 IN L/R, BS IN L/R OUTPUT: LINE OUT L/R)						
Line output level	V_{OEE}	-11.4	-10.2	-9.0	dBV	INPUT condition 1
Channel balance (L/R)	CB_{EE}	-0.8	0.0	0.8	dB	INPUT condition 1
Distortion	THD_{EE}	—	0.017	0.10	%	INPUT condition 1,*1
Maximum output level	V_{OMEE}	9.0	10.7	—	dBV	THD = 1%,*1
ALC level	V_{ALC}	-3.8	-1.8	+0.2	dBV	INPUT condition 2 ALC ON
ALC distortion	THD_{ALC}	—	0.03	0.25	%	INPUT condition 2,*1 ALC ON
Output residual noise	V_{ONEE}	—	-94.0	-86.0	dBV	Relevant input shorted to GND,*2
Crosstalk	CT_{EE}	—	-88.0	-75.0	dBV	Relevant input: shorted to GND,*2 Non-relevant input: Input condition 2,*2
Muting level	MT_{EE}	—	-103	-90	dBV	INPUT condition 2,*2
(INPUT: TU L/R/M IN, BS L/R IN, LINE1 L/R IN, LINE2 L/R IN OUTPUT: NORMAL OUT)						
Normal out output level	V_{ONORM}	-21.5	-20.0	-18.5	dBV	INPUT condition 1 L & R input together,*1
[BS/L2 THROUGH] (INPUT: BS/LINE2 L/R IN OUTPUT: LINE OUT L/R)						
Output level	V_{OBS} V_{OL2}	-11.4	-10.2	-9.0	dBV	$V_{IN} = -20.0\text{dBV}$
Distortion	THD_{BS} THD_{L2}	—	0.005	0.08	%	$V_{IN} = -20.0\text{dBV}$,*1
Output residual noise	V_{ONBS} V_{ONL2}	—	-99.0	-86.0	dBV	BS IN pin shorted to GND,*2
[LINE AMP] (INPUT: NORMAL IN OUTPUT: LINE OUT L/R)						
Line amplifier gain1	V_{OLINE1}	+9.0	+9.8	+10.6	dB	$V_{IN} = -20\text{dBV}$
[MIX AMP] (INPUT: TU IN L/R, LINE1 IN L/R, LINE2 IN L/R, BS IN L/R OUTPUT: MIX OUT)						
Output level	V_{OMIX}	-7.2	-6.0	-4.8	dBV	INPUT condition 1 L & R input together
Distortion	THD_{MIX}	—	0.08	0.50	%	INPUT condition 1 L & R input together,*1
MIX ALC level	V_{ALCMIX}	-4.2	-2.7	-1.2	dBV	INPUT condition 2 L & R input together

*1: B.W. = 0.4 to 30kHz *2: DIN AUDIO

Parameter	Symbol	Min.	Typ.	Max.	Unit	Conditions	
[MODEM REC MODE] (INPUT: TUNER IN L / R, LINE1 IN L / R, LINE2 IN L / R, BS IN L / R OUTPUT: FM REC OUT)							
NTSC carrier frequency	Lch	f _{NOL}	1.2925	1.2975	1.3025	MHz	No input, after automatic adjustment
	Rch	f _{NOR}	1.6940	1.6990	1.7040	MHz	
PAL carrier frequency	Lch	f _{POL}	1.3930	1.3980	1.4030	MHz	No input, after automatic adjustment
	Rch	f _{POR}	1.7945	1.7995	1.8045	MHz	
Frequency deviation	Lch	DEV _L	44.0	50.0	56.0	± kHz	INPUT condition 1
	Rch	DEV _R	44.0	50.0	56.0	± kHz	
Maximum frequency deviation	Lch	DEV _{Max.L}	118	140	162	± kHz	INPUT condition 3 (f = 10kHz)
	Rch	DEV _{Max.R}	118	140	162	± kHz	
FM output level	Lch	V _{OFML}	310	355	410	mV _{P-P}	FM OUT SW: FM L mode
	Rch	V _{OFMR}	320	365	420	mV _{P-P}	FM OUT SW: FM R mode
Carrier 2nd harmonic	Lch	f _{2L}	—	- 53.0	- 40.0	dB	Spectrum ratio of 2nd harmonic with respect to fundamental Lch: FM L mode, Rch: FM R mode
	Rch	f _{2R}	—	- 48.0	- 40.0	dB	
Carrier 3rd harmonic	Lch	f _{3L}	—	- 52.0	- 40.0	dB	Spectrum ratio of 3rd harmonic with respect to fundamental Lch: FM L mode, Rch: FM R mode
	Rch	f _{3R}	—	- 55.0	- 42.0	dB	
FM MIX ratio (FM MIX1 mode)	f _{LR}	- 14.3	- 12.5	- 10.7	dB	Spectrum ratio 1.30MHz / 1.70MHz	
[MODEM PB MODE] (INPUT: FM PB IN, OUTPUT: LINE OUT L / R) (After BPF f ₀ adjustment, V _{IN} = 1320mV _{P-P} , 1.30MHz, 1.70MHz MIX IN)							
Demodulation output level 1	Lch	V _{ODL}	- 12.4	- 10.2	- 8.0	dBV	DEV _L = ± 50.0kHz, f = 1kHz
	Rch	V _{ODR}	- 12.4	- 10.2	- 8.0	dBV	DEV _R = ± 50.0kHz, f = 1kHz
Demodulation output level 2	Lch	V _{ODL2}	V _{ODL} - 10.0	V _{ODL} - 7.8	V _{ODL} - 5.6	dBV	DEV _L = ± 50.0kHz, f = 10kHz
	Rch	V _{ODR2}	V _{ODR} - 10.0	V _{ODR} - 7.8	V _{ODR} - 5.6	dBV	DEV _R = ± 50.0kHz, f = 10kHz
Demodulation distortion	Lch	THD _{DL}	—	0.12	0.35	%	DEV _L = ± 50.0kHz, f = 1kHz,*1
	Rch	THD _{DR}	—	0.13	0.35	%	DEV _R = ± 50.0kHz, f = 1kHz,*1
Demodulation noise level	Lch	V _{ONDL}	—	- 98.0	- 85.0	dBV	Unmodulated *2
	Rch	V _{ONDR}	—	- 98.0	- 85.0	dBV	
[Recording→playback overall characteristics] (EE…INPUT: LINE IN L / R, OUTPUT: LINE OUT L / R) (PB…INPUT: FM PB IN, OUTPUT: LINE OUT L / R)							
Line output recording / playback level difference	Lch	V _{RPL}	- 1.2	0.0	+ 1.2	dB	Carrier frequency, after adjusting BPF EE mode: INPUT condition 1 PB mode: FM PB IN = 1320mV _{P-P} f = 1.30MHz, 1.70MHz 1: 1 MIX, The difference between the EE and PB line out levels when input is DEV = DEV _{L,R} (the frequency deviation given above)
	Rch	V _{RPR}	- 1.2	0.0	+ 1.2	dB	
[FM BPF] (INPUT: FM PB IN, OUTPUT: BPF MONITOR L / R)							
BPF L / R level difference NTSC	ΔV _{BPFN}	- 5.0	0.0	5.0	dB	After automatic adjustment, NTSC f = 1.505MHz, V _{IN} = 400mV _{P-P}	
BPF L / R level difference PAL	ΔV _{BFPF}	- 5.0	0.0	5.0	dB	After automatic adjustment, PAL f = 1.605MHz, V _{IN} = 400mV _{P-P}	

*1: B.W. = 0.4 to 30kHz *2: DIN AUDIO

Parameter	Symbol	Min.	Typ.	Max.	Unit	Conditions
(Lch, Rch mix input signal level 1320mV _{P-P} (RATIO 1: 1))						
(NTSC Lch)						
1.30MHz insertion loss	ATT _{NLC}	-20.1	-17.1	-14.1	dB	1.30MHz + 1.70MHz FM ALC ON
1.15MHz attenuation	ATT _{NL} 1.15	ATT _{NLC} -9.8	ATT _{NLC} -5.3	ATT _{NLC} -2.3	dB	1.15MHz + 1.70MHz
1.45MHz attenuation	ATT _{NL} 1.45	ATT _{NLC} -8.1	ATT _{NLC} -5.0	ATT _{NLC} -2.5	dB	1.45MHz + 1.70MHz
1.70MHz attenuation	ATT _{NL} 1.70	—	—	ATT _{NLC} -30.0	dB	1.30MHz + 1.70MHz
(NTSC Rch)						
1.70MHz insertion loss	ATT _{NRC}	-21.3	-18.3	-15.3	dB	1.30MHz + 1.70MHz FM ALC ON
1.55MHz attenuation	ATT _{NR} 1.55	ATT _{NRC} -8.8	ATT _{NRC} -5.7	ATT _{NRC} -3.4	dB	1.55MHz + 1.30MHz
1.85MHz attenuation	ATT _{NR} 1.85	ATT _{NRC} -9.5	ATT _{NRC} -4.7	ATT _{NRC} -1.4	dB	1.85MHz + 1.30MHz
1.30MHz attenuation	ATT _{NR} 1.30	—	—	ATT _{NRC} -30.0	dB	1.30MHz + 1.70MHz
(PAL Lch)						
1.40MHz insertion loss	ATT _{PLC}	-18.9	-15.9	-12.9	dB	1.40MHz + 1.80MHz
1.80MHz attenuation	ATT _{PL} 1.80	—	—	ATT _{PLC} -30.0	dB	1.40MHz + 1.80MHz
PAL Rch						
1.80MHz insertion loss	ATT _{PRC}	-20.3	-17.3	-14.3	dB	1.40MHz + 1.80MHz
1.40MHz attenuation	ATT _{PR} 1.40	—	—	ATT _{PRC} -30.0	dB	1.40MHz + 1.80MHz
[FNORM→Hi-Fi recovery delay circuit]						
Return delay time	T _{FNDLY}	110	125	140	mS	Delay time from input of FM PB IN (1.30MHz, 1.70MHz 1: 1 MIX) 1320mV _{P-P} to rise of ENVE OUT AUDIO HEAD PULSE IN : f = 30Hz, 5V _{P-P} , rectangular wave
(Envelope output circuit) (INPUT: FM PB IN, OUTPUT: ENVE OUT) 0dB = 1320mV _{P-P} , 1.30MHz & 1.70MHz MIX input						
Envelope output level SP0	V _{ENVSP0}	—	0	100	mV	No signal, STANDARD MODE
Envelope output level SP1	V _{ENVSP1}	2.08	2.58	3.08	V	V _{IN} = 0dB, STANDARD MODE
Envelope output level SP2	V _{ENVSP2}	3.70	3.95	4.20	V	V _{IN} = +10dB, STANDARD MODE
Envelope output level EP1	V _{ENVEP1}	1.96	2.46	2.96	V	V _{IN} = -4dB, +4dB MODE
[Control system mode holding voltage]						
(CLOCK IN)						
L mode holding voltage	V _{H5L}	0.0	—	0.5	V	
H mode holding voltage	V _{H5H}	2.5	—	V _{CC}	V	

Parameter	Symbol	Min.	Typ.	Max.	Unit	Conditions
(DATA IN)						
L mode holding voltage	V_{H6L}	0.0	—	0.5	V	
H mode holding voltage	V_{H6H}	2.5	—	V_{CC}	V	
(MUTE CTRL)						
$\overline{\text{MUTE}}$ holding voltage	V_{H32L}	0.0	—	1.0	V	
DC MUTE holding voltage	V_{H32H}	3.9	—	V_{CC}	V	

● Measurement circuit

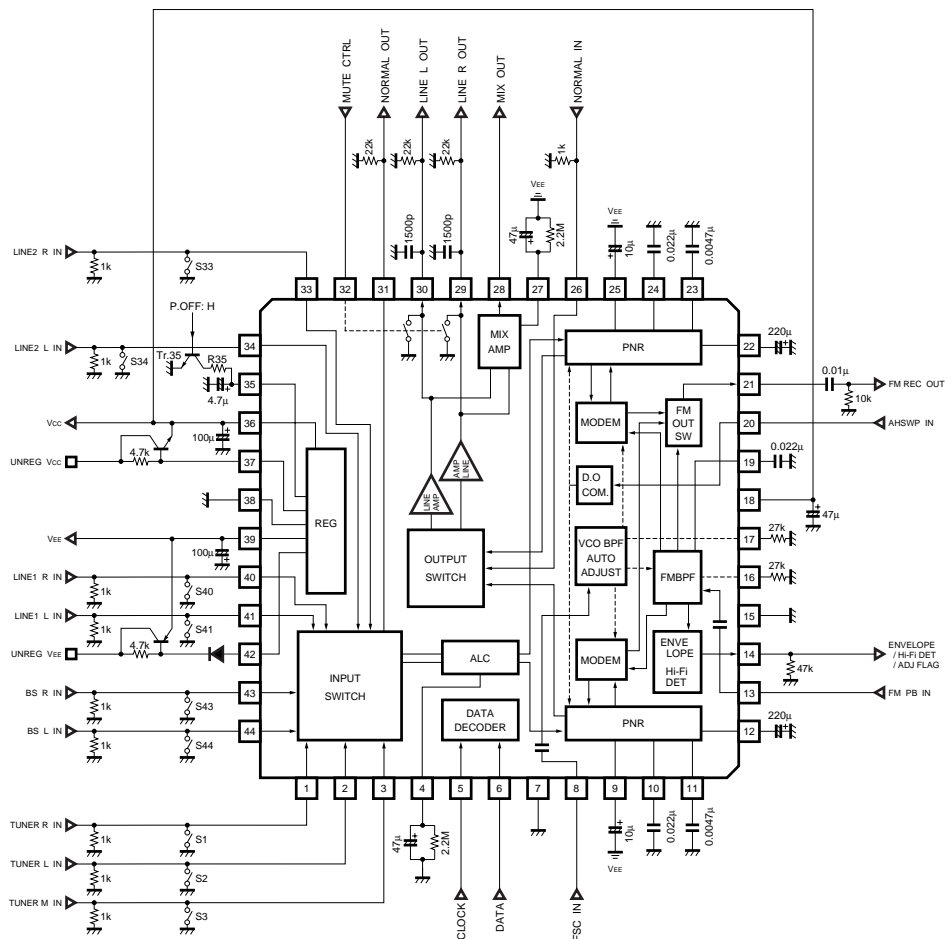


Fig. 1

●Circuit operation

Function table

The BH7800K includes the following functions on one chip.

No.	Block name	Main function	Pin numbers	Power supply
1	Regulator	<ul style="list-style-type: none"> · $\pm 5V$ regulator (V_{CC}, V_{EE}) · Anti-pop circuit (ANTI—POP) 	35 ~ 39, 42	UNREG— V_{CC} : + 10V UNREG— V_{EE} : - 10V GND: 38
2	SSB control	<ul style="list-style-type: none"> · SSB data decoder 	5 ~ 7	V_{CC3} (internal power supply) GND: 7
3	Input switcher	<ul style="list-style-type: none"> · TUNER (L, R, M) / LINE 1, 2 (L,R) / BS (L, R) switch 	33, 34, 40, 41 43, 44 1 ~ 3	V_{CC} (internally wired) V_{EE} (internally wired) GND: 38
4	Output switcher	<ul style="list-style-type: none"> · Line amplifier: + 9.8dB, + 10.8dB, + 12.0dB, + 14.8dB · STEREO / LEFT / RIGHT / NORMAL switch · MIX ON / OFF switch · Mute switch · MIXER amplifier for RF converter (with ALC function) · BS / LINE2 through mode 	27 ~ 30 32	V_{CC} (internally wired) V_{EE} (internally wired) GND: 38
6	PNR processor	<ul style="list-style-type: none"> · 20kHz line low-pass filter (secondary LPF) · 20kHz PNR low-pass filter (secondary LPF) · PNR processor (MOA, CCA, WTNG, DET) · Emphasis / de-emphasis (EMPH / DEEMPH) · Switching noise slope-control type differential compensation circuit 	9 ~ 12 22 ~ 25	V_{CC} (internally wired) V_{EE} (internally wired) GND: 38
7	Modulator	<ul style="list-style-type: none"> · FM modulation circuit (VCO, DEV) · FM demodulation / FM BPF MONITOR output switch (FMOUT SW) : FM MIX1 to 4, FM L, FM R, BPF L, BPF R · Recording FM treble cutoff filter (FM LPF) · Over modulation limiter (AUDIO LIM) · Playback FM limiter (FM LIM) · VCO, BPF automatic adjustment circuit (AUTO AUDIO ADJUST) · NTSC / PAL switch function · Auto adjustment complete FLAG output circuit (ADJ FLAG) 	8, 14 17, 21	V_{CC} : 18 V_{EE} (internally wired) GND: 15
8	FM detector control	<ul style="list-style-type: none"> · D.O.detector circuit (D.O. DET) · Auto FM detector circuit (noise detect method) (FM DET) : Typ. , + 30%, - 10% · Envelope detector circuit (ENVE) · Hold pulse generator 	14, 20	V_{CC} : 18 (internally wired) GND: 15
9	FM BPF	<ul style="list-style-type: none"> · FM bandpass filter (FM BPF) · NTSC / PAL switch function · FM input automatic level adjust circuit (FM ALC: ON / OFF) 	13, 16, 19	V_{CC} : 18 GND: 15

●Application example

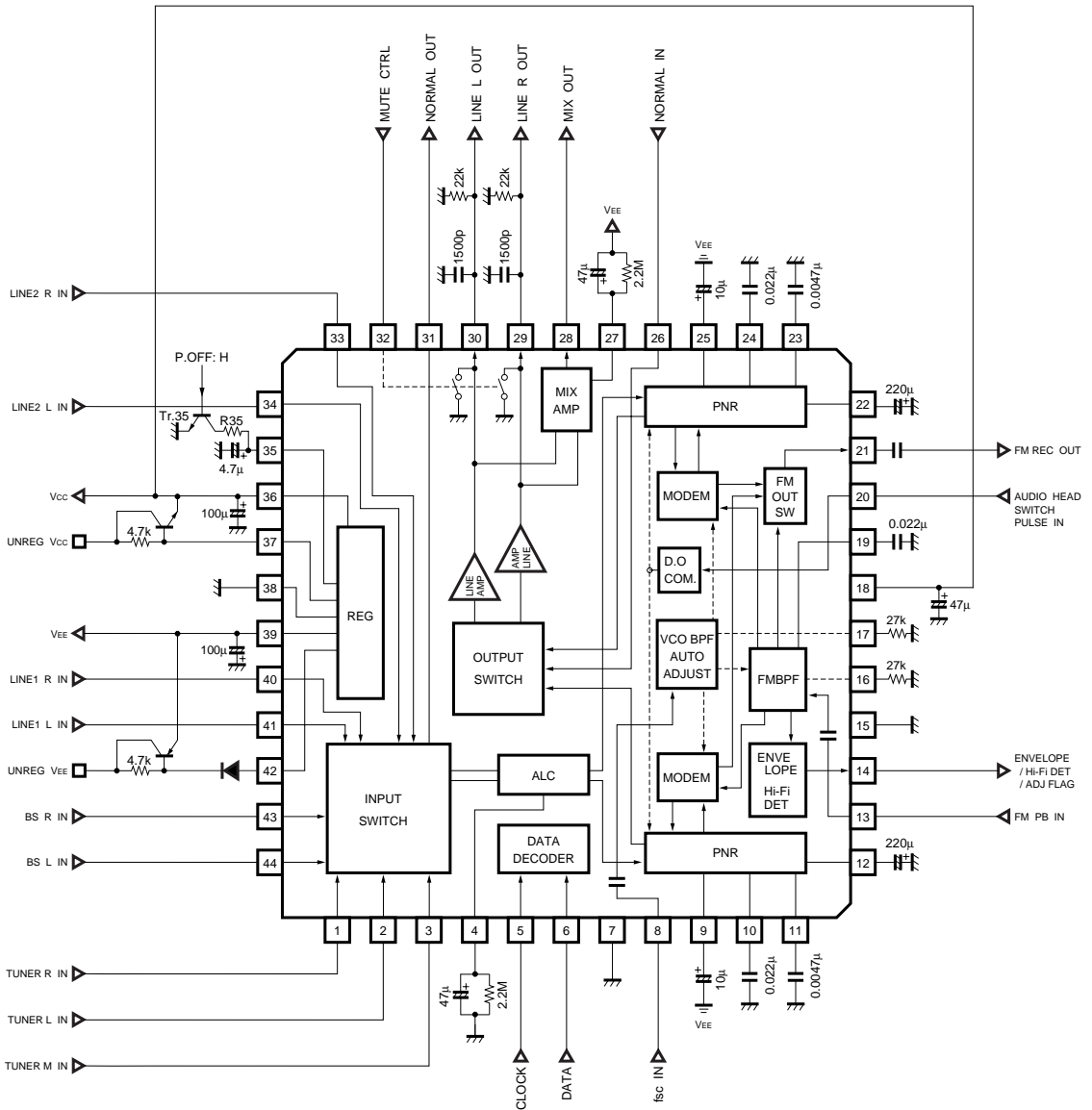


Fig.2

●Operation notes

The VCO oscillation frequency and frequency deviation, and the BPF center frequency are directly influenced by the temperature characteristics of the setting resistors connected to pins 16 and 17. Use metal-film components.

●Electrical characteristic curves

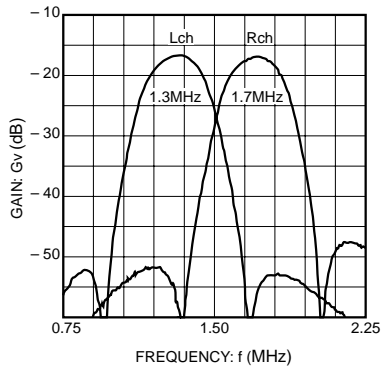


Fig. 3 FM BPF frequency characteristics (NTSC)

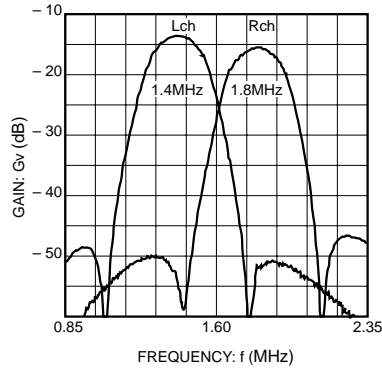


Fig. 4 FM BPF frequency characteristics (PAL)

●External dimensions (Units: mm)

