

# IS62LV1024L IS62LV1024LL



## 128K x 8 LOW POWER and LOW V<sub>cc</sub> CMOS STATIC RAM

PRELIMINARY  
SEPTEMBER 1998

### FEATURES

- Access times of 35, 45, 50, and 70 ns
- Low active power: 60 mW (typical)
- Low standby power: 15  $\mu$ W (typical) CMOS standby
- Low data retention voltage: 2V (min.)
- Available in Low Power (-L) and Ultra Low Power (-LL)
- Output Enable ( $\overline{OE}$ ) and two Chip Enable ( $\overline{CE1}$  and  $\overline{CE2}$ ) inputs for ease in applications
- TTL compatible inputs and outputs
- Single 2.7V to 3.6V power supply

### DESCRIPTION

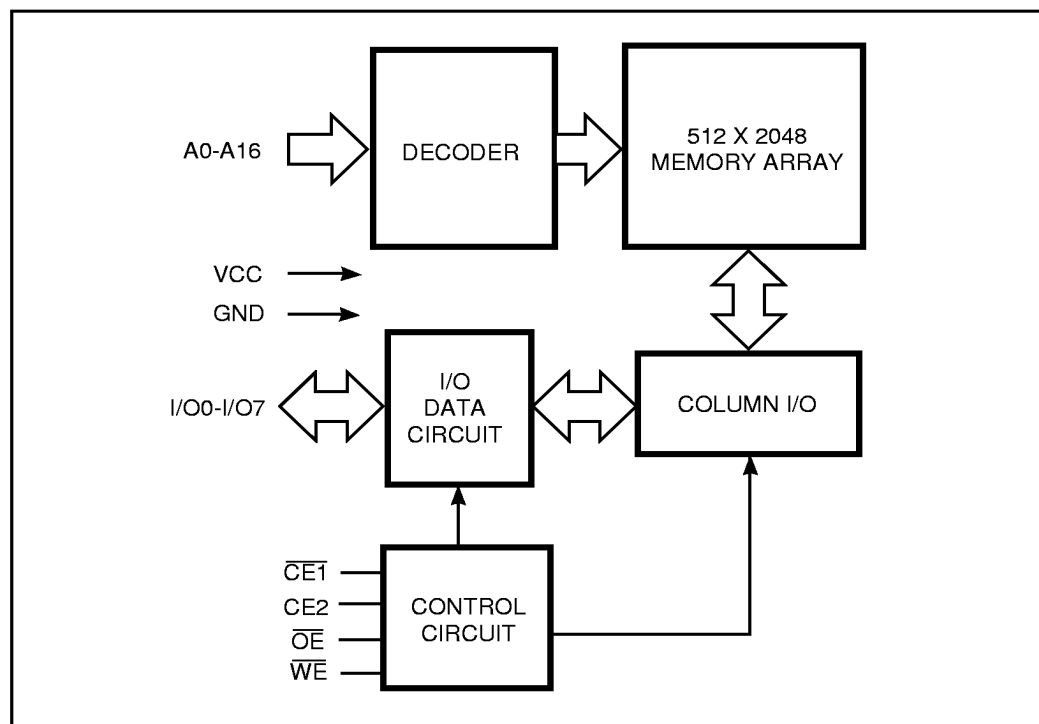
The *ISSI* IS62LV1024L and IS62LV1024LL are low power and low V<sub>cc</sub>, 131,072-word by 8-bit CMOS static RAMs. They are fabricated using *ISSI*'s high-performance CMOS technology. This highly reliable process coupled with innovative circuit design techniques, yields higher performance and low power consumption devices.

When  $\overline{CE1}$  is HIGH or  $\overline{CE2}$  is LOW (deselected), the device assumes a standby mode at which the power dissipation can be reduced by using CMOS input levels.

Easy memory expansion is provided by using two Chip Enable inputs,  $\overline{CE1}$  and  $\overline{CE2}$ . The active LOW Write Enable ( $\overline{WE}$ ) controls both writing and reading of the memory.

The IS62LV1024L and IS62LV1024LL are available in 32-pin TSOP (Type I), STSOP (8 x 13.4mm), and 450-mil plastic SOP (525-mil pin to pin) packages.

### FUNCTIONAL BLOCK DIAGRAM

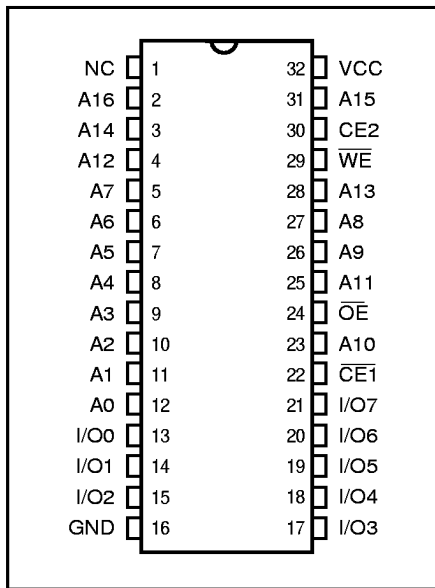
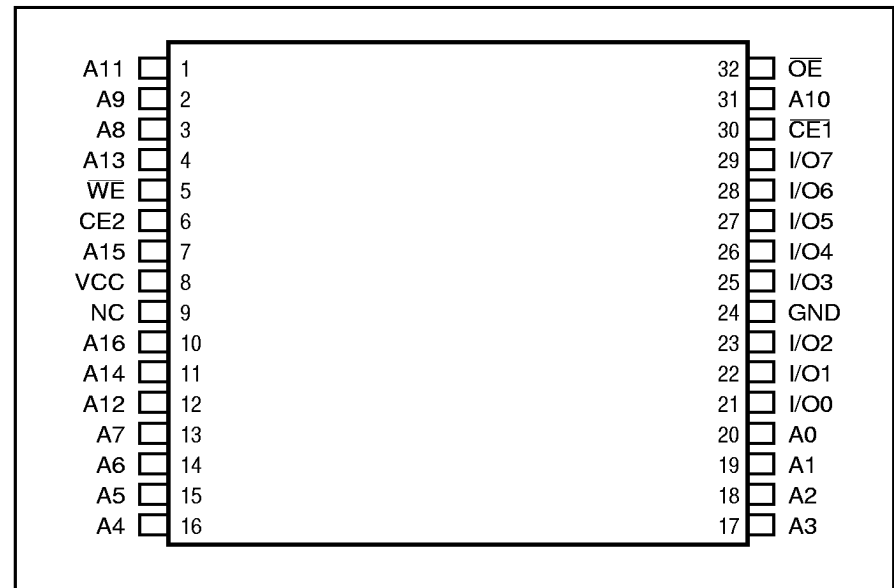


This document contains PRELIMINARY data. ISSI reserves the right to make changes to its products at any time without notice in order to improve design and supply the best possible product. We assume no responsibility for any errors which may appear in this publication. © Copyright 1998, Integrated Silicon Solution, Inc.

**Integrated Silicon Solution, Inc.**

PRELIMINARY SR014-1D

09/04/98

**PIN CONFIGURATION****32-Pin SOP (Q)****PIN CONFIGURATION****32-Pin TSOP (Type I) (T) and STSOP (Type 1) (H)****PIN DESCRIPTIONS**

A0-A16	Address Inputs
$\overline{\text{CE1}}$	Chip Enable 1 Input
CE2	Chip Enable 2 Input
$\overline{\text{OE}}$	Output Enable Input
$\overline{\text{WE}}$	Write Enable Input
I/O0-I/O7	Input/Output
NC	No Connection
Vcc	Power
GND	Ground

**OPERATING RANGE**

Range	Ambient Temperature	Vcc
Commercial	0°C to +70°C	2.7V to 3.6V
Industrial	-40°C to +85°C	2.7V to 3.6V

## TRUTH TABLE

Mode	$\overline{WE}$	$\overline{CE1}$	CE2	$\overline{OE}$	I/O Operation	Vcc Current
Not Selected	X	H	X	X	High-Z	ISB1, ISB2
(Power-down)	X	X	L	X	High-Z	ISB1, ISB2
Output Disabled	H	L	H	H	High-Z	Icc
Read	H	L	H	L	DOUT	Icc
Write	L	L	H	X	DIN	Icc

## ABSOLUTE MAXIMUM RATINGS<sup>(1)</sup>

Symbol	Parameter	Value	Unit
V <sub>TERM</sub>	Terminal Voltage with Respect to GND	-0.5 to V <sub>CC</sub> + 0.5	V
V <sub>CC</sub>	V <sub>CC</sub> related to GND	-0.3 to +4.6	V
T <sub>BIAS</sub>	Temperature Under Bias	-40 to +85	°C
T <sub>STG</sub>	Storage Temperature	-65 to +150	°C
P <sub>T</sub>	Power Dissipation	0.7	W

### Notes:

- Stress greater than those listed under ABSOLUTE MAXIMUM RATINGS may cause permanent damage to the device. This is a stress rating only and functional operation of the device at these or any other conditions above those indicated in the operational sections of this specification is not implied. Exposure to absolute maximum rating conditions for extended periods may affect reliability.

## CAPACITANCE<sup>(1,2)</sup>

Symbol	Parameter	Conditions	Max.	Unit
C <sub>IN</sub>	Input Capacitance	V <sub>IN</sub> = 0V	6	pF
C <sub>OUT</sub>	Output Capacitance	V <sub>OUT</sub> = 0V	8	pF

### Notes:

- Tested initially and after any design or process changes that may affect these parameters.
- Test conditions: T<sub>A</sub> = 25°C, f = 1 MHz, V<sub>CC</sub> = 3.0V.

## DC ELECTRICAL CHARACTERISTICS (Over Operating Range)

Symbol	Parameter	Test Conditions	Min.	Max.	Unit
V <sub>OH</sub>	Output HIGH Voltage	V <sub>CC</sub> = Min., I <sub>OH</sub> = -1.0 mA	2.2	—	V
V <sub>OL</sub>	Output LOW Voltage	V <sub>CC</sub> = Min., I <sub>OL</sub> = 2.1 mA	—	0.4	V
V <sub>IH</sub>	Input HIGH Voltage		2.2	V <sub>CC</sub> + 0.3	V
V <sub>IL</sub>	Input LOW Voltage <sup>(1)</sup>		-0.3	0.4	V
I <sub>LI</sub>	Input Leakage	GND ≤ V <sub>IN</sub> ≤ V <sub>CC</sub>	-1	1	μA
I <sub>LO</sub>	Output Leakage	GND ≤ V <sub>OUT</sub> ≤ V <sub>CC</sub>	-1	1	μA

### Notes:

- V<sub>IL</sub> = -3.0V for pulse width less than 10 ns.

IS62LV1024L POWER SUPPLY CHARACTERISTICS<sup>(1)</sup> (Over Operating Range)

Symbol	Parameter	Test Conditions	-35L ns		-45L ns		-55L ns		-70L ns		Unit	
			Min.	Max.	Min.	Max.	Min.	Max.	Min.	Max.		
I <sub>CC</sub>	V <sub>CC</sub> Dynamic Operating Supply Current	V <sub>CC</sub> = Max., $\overline{CE} = V_{IL}$ I <sub>OUT</sub> = 0 mA, f = f <sub>MAX</sub>	Com.	—	55	—	50	—	45	—	40	mA
			Ind.	—	65	—	60	—	55	—	50	
I <sub>SB1</sub>	TTL Standby Current (TTL Inputs)	V <sub>CC</sub> = Max., V <sub>IN</sub> = V <sub>IH</sub> or V <sub>IL</sub> , $\overline{CE1} \geq V_{IH}$ or CE2 ≤ V <sub>IL</sub> , f = 0	Com.	—	0.8	—	0.8	—	0.8	—	0.8	mA
			Ind.	—	1	—	1	—	1	—	1	
I <sub>SB2</sub>	CMOS Standby Current (CMOS Inputs)	V <sub>CC</sub> = Max., f = 0 $\overline{CE1} \geq V_{CC} - 0.2V$ , CE2 ≤ 0.2V, or V <sub>IN</sub> ≥ V <sub>CC</sub> - 0.2V, V <sub>IN</sub> ≤ 0.2V	Com.	—	50	—	50	—	50	—	50	μA
			Ind.	—	75	—	75	—	75	—	75	

**Note:**

1. At f = f<sub>MAX</sub>, address and data inputs are cycling at the maximum frequency, f = 0 means no input lines change.

IS62LV1024LL POWER SUPPLY CHARACTERISTICS<sup>(1)</sup> (Over Operating Range)

Symbol	Parameter	Test Conditions	-35LL ns		-45LL ns		-55LL ns		-70LL ns		Unit	
			Min.	Max.	Min.	Max.	Min.	Max.	Min.	Max.		
I <sub>CC</sub>	V <sub>CC</sub> Dynamic Operating Supply Current	V <sub>CC</sub> = Max., $\overline{CE} = V_{IL}$ I <sub>OUT</sub> = 0 mA, f = f <sub>MAX</sub>	Com.	—	55	—	50	—	45	—	40	mA
			Ind.	—	65	—	60	—	55	—	50	
I <sub>SB1</sub>	TTL Standby Current (TTL Inputs)	V <sub>CC</sub> = Max., V <sub>IN</sub> = V <sub>IH</sub> or V <sub>IL</sub> , $\overline{CE1} \geq V_{IH}$ or CE2 ≤ V <sub>IL</sub> , f = 0	Com.	—	0.8	—	0.8	—	0.8	—	0.8	mA
			Ind.	—	1	—	1	—	1	—	1	
I <sub>SB2</sub>	CMOS Standby Current (CMOS Inputs)	V <sub>CC</sub> = Max., f = 0 $\overline{CE1} \geq V_{CC} - 0.2V$ , CE2 ≤ 0.2V, or V <sub>IN</sub> ≥ V <sub>CC</sub> - 0.2V, V <sub>IN</sub> ≤ 0.2V	Com.	—	30	—	30	—	30	—	30	μA
			Ind.	—	40	—	40	—	40	—	40	

**Note:**

1. At f = f<sub>MAX</sub>, address and data inputs are cycling at the maximum frequency, f = 0 means no input lines change.

# IS62LV1024L/LL

## READ CYCLE SWITCHING CHARACTERISTICS<sup>(1)</sup> (Over Operating Range)

Symbol	Parameter	-35		-45		-55		-70		Unit
		Min.	Max.	Min.	Max.	Min.	Max.	Min.	Max.	
t <sub>RC</sub>	Read Cycle Time	35	—	45	—	55	—	70	—	ns
t <sub>AA</sub>	Address Access Time	—	35	—	45	—	55	—	70	ns
t <sub>OH</sub>	Output Hold Time	10	—	10	—	10	—	10	—	ns
t <sub>ACE1</sub>	$\overline{CE1}$ Access Time	—	35	—	45	—	55	—	70	ns
t <sub>ACE2</sub>	CE2 Access Time	—	35	—	45	—	55	—	70	ns
t <sub>DOE</sub>	$\overline{OE}$ Access Time	—	20	—	20	—	25	—	35	ns
t <sub>LZOE</sub> <sup>(2)</sup>	$\overline{OE}$ to Low-Z Output	0	—	0	—	5	—	5	—	ns
t <sub>HZOE</sub> <sup>(2)</sup>	$\overline{OE}$ to High-Z Output	0	10	0	15	0	20	0	25	ns
t <sub>LZCE1</sub> <sup>(2)</sup>	$\overline{CE1}$ to Low-Z Output	3	—	5	—	7	—	10	—	ns
t <sub>LZCE2</sub> <sup>(2)</sup>	CE2 to Low-Z Output	3	—	5	—	7	—	10	—	ns
t <sub>HZCE</sub> <sup>(2)</sup>	$\overline{CE1}$ or CE2 to High-Z Output	0	10	0	15	0	20	0	25	ns

### Notes:

1. Test conditions assume signal transition times of 5 ns or less, timing reference levels of 1.5V, input pulse levels of 0.4V to 2.2V and output loading specified in Figure 1 and 2.
2. Tested with the load in Figure 3. Transition is measured  $\pm 500$  mV from steady-state voltage. Not 100% tested.

## AC TEST CONDITIONS

Parameter	Unit
Input Pulse Level	0.4V to 2.2V
Input Rise and Fall Times	5 ns
Input and Output Timing and Reference Level	1.5V
Output Load	See Figures 1 and 2

## AC TEST LOADS

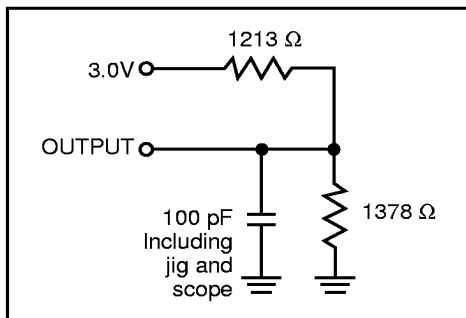


Figure 1. (-70 ns)

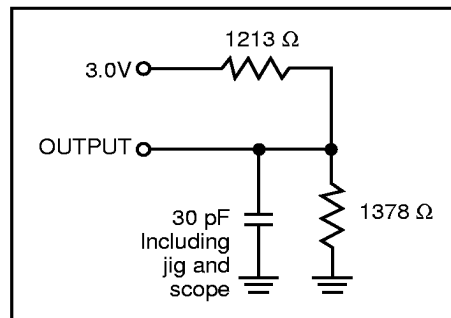


Figure 2. (-35 ns, -45 ns, -55 ns)

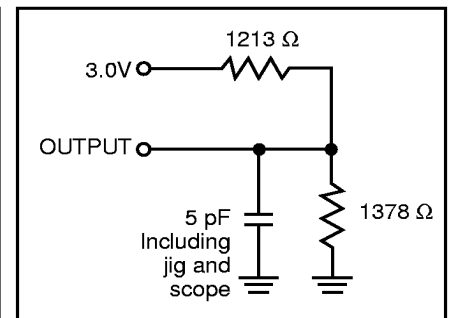


Figure 3.

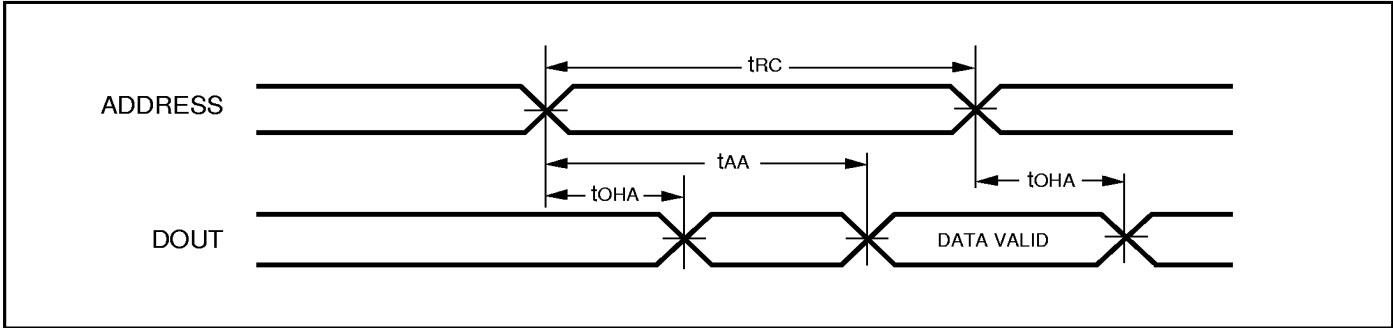
Integrated Silicon Solution, Inc.

PRELIMINARY SR014-1D

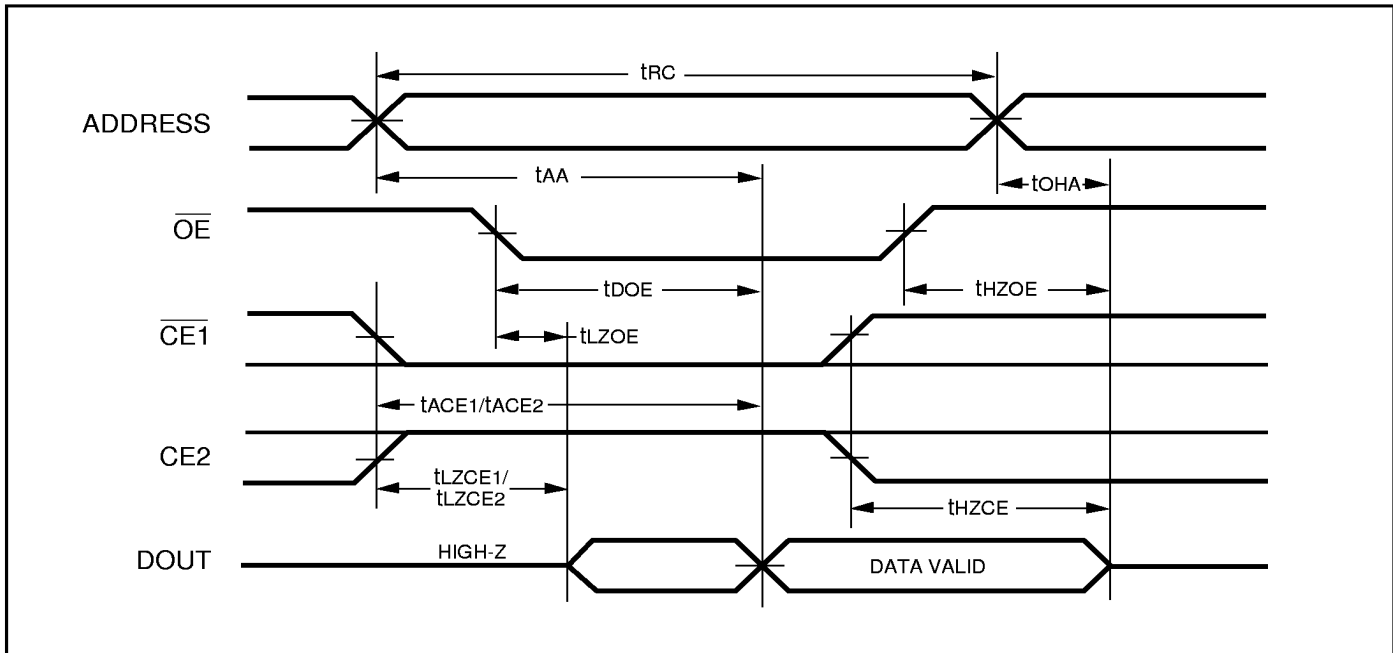
09/04/98

AC WAVEFORMS

READ CYCLE NO. 1<sup>(1,2)</sup>



READ CYCLE NO. 2<sup>(1,3)</sup>



Notes:

1. WE is HIGH for a Read Cycle.
2. The device is continuously selected.  $\overline{OE}, \overline{CE1} = V_{IL}, CE2 = V_{IH}$ .
3. Address is valid prior to or coincident with  $\overline{CE1}$  LOW and CE2 HIGH transitions.

**WRITE CYCLE SWITCHING CHARACTERISTICS<sup>(1,3)</sup>** (Over Operating Range, Standard and Low Power)

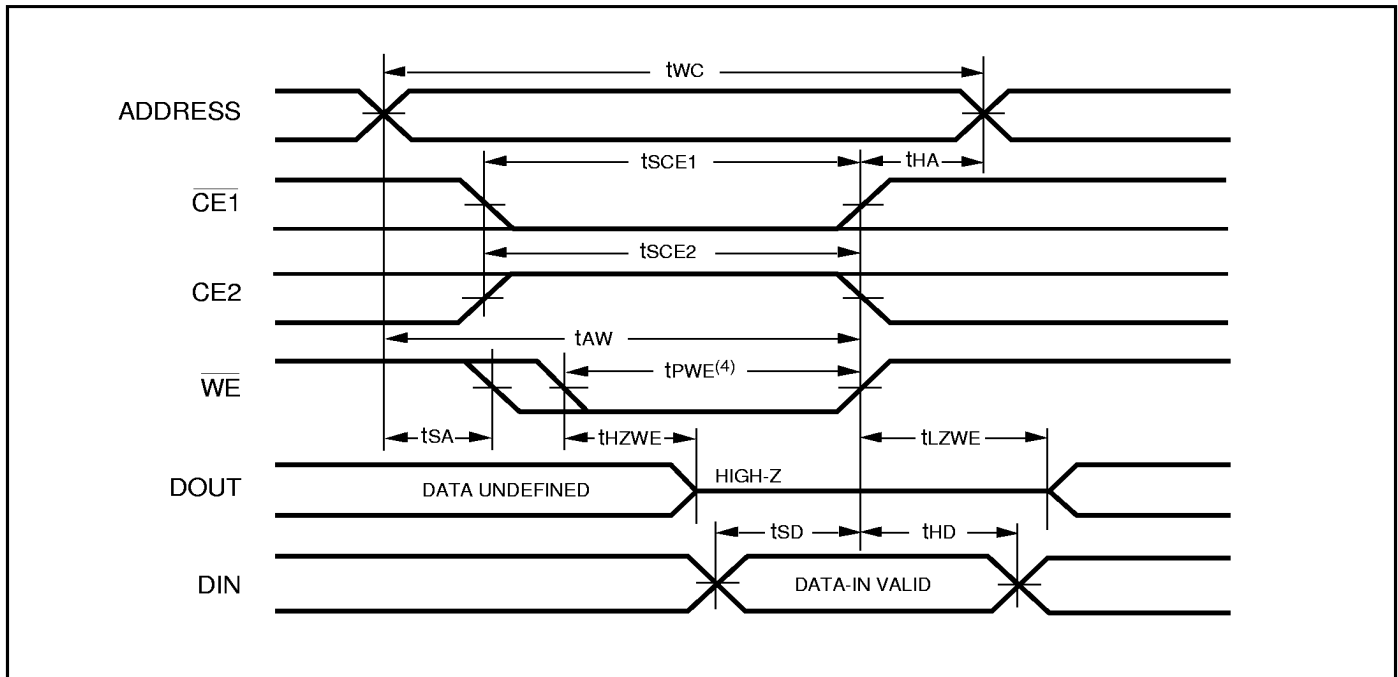
Symbol	Parameter	-35		-45		-55		-70		Unit
		Min.	Max.	Min.	Max.	Min.	Max.	Min.	Max.	
t <sub>WC</sub>	Write Cycle Time	35	—	45	—	55	—	70	—	ns
t <sub>SCE1</sub>	$\overline{CE1}$ to Write End	25	—	35	—	50	—	60	—	ns
t <sub>SCE2</sub>	CE2 to Write End	25	—	35	—	50	—	60	—	ns
t <sub>AW</sub>	Address Setup Time to Write End	25	—	35	—	50	—	60	—	ns
t <sub>HA</sub>	Address Hold from Write End	0	—	0	—	0	—	0	—	ns
t <sub>SA</sub>	Address Setup Time	0	—	0	—	0	—	0	—	ns
t <sub>PWE<sup>(4)</sup></sub>	$\overline{WE}$ Pulse Width	25	—	35	—	40	—	55	—	ns
t <sub>SD</sub>	Data Setup to Write End	20	—	25	—	25	—	30	—	ns
t <sub>HD</sub>	Data Hold from Write End	0	—	0	—	0	—	0	—	ns
t <sub>HZWE<sup>(2)</sup></sub>	$\overline{WE}$ LOW to High-Z Output	—	10	—	15	—	20	0	25	ns
t <sub>LZWE<sup>(2)</sup></sub>	$\overline{WE}$ HIGH to Low-Z Output	3	—	5	—	5	—	5	—	ns

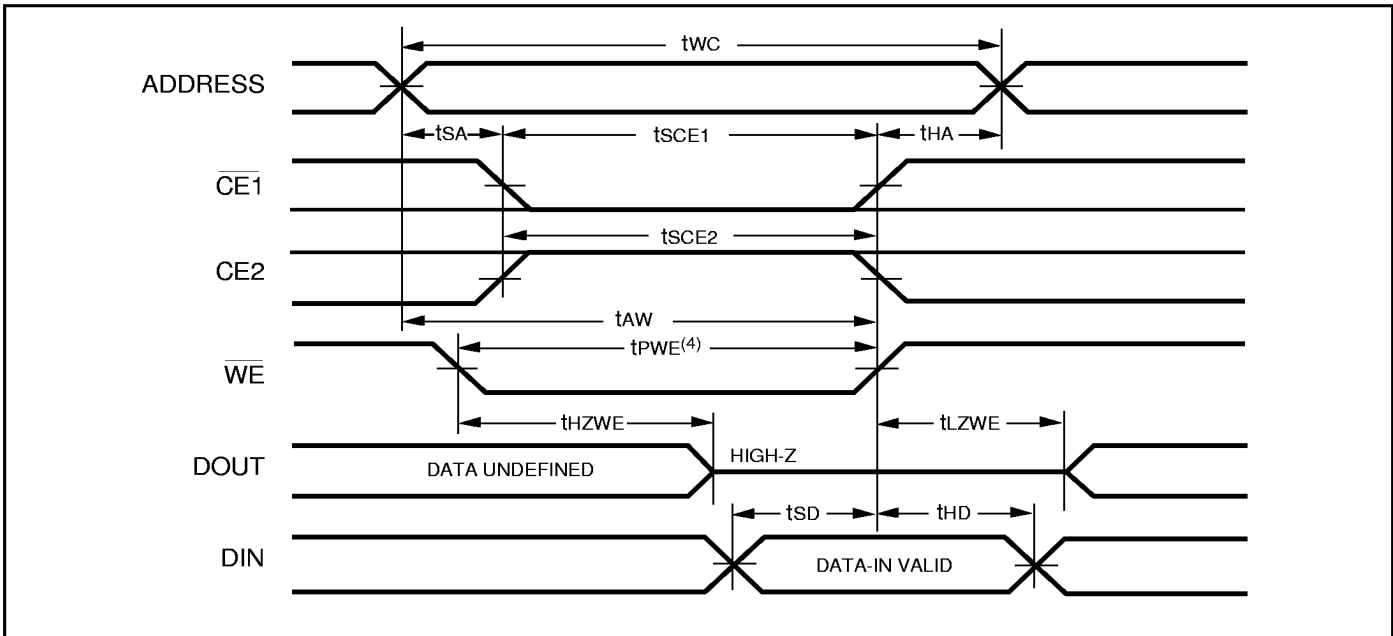
**Notes:**

1. Test conditions assume signal transition times of 5 ns or less, timing reference levels of 1.5V, input pulse levels of 0.4V to 2.2V and output loading specified in Figure 1.
2. Tested with the load in Figure 2. Transition is measured  $\pm 500$  mV from steady-state voltage. Not 100% tested.
3. The internal write time is defined by the overlap of  $\overline{CE1}$  LOW, CE2 HIGH and  $\overline{WE}$  LOW. All signals must be in valid states to initiate a Write, but any one can go inactive to terminate the Write. The Data Input Setup and Hold timing are referenced to the rising or falling edge of the signal that terminates the Write.
4. Tested with  $\overline{OE}$  HIGH.

**AC WAVEFORMS**

**WRITE CYCLE NO. 1 ( $\overline{WE}$  Controlled)<sup>(1,2)</sup>**



WRITE CYCLE NO. 2 ( $\overline{CE1}$ , CE2 Controlled)<sup>(1,2)</sup>**Notes:**

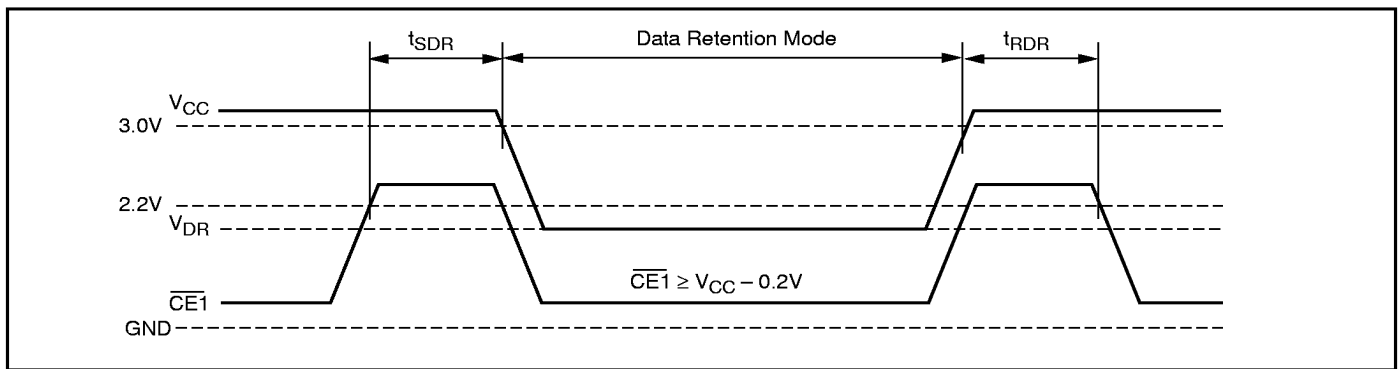
1. The internal write time is defined by the overlap of  $\overline{CE1}$  LOW, CE2 HIGH and  $\overline{WE}$  LOW. All signals must be in valid states to initiate a Write, but any one can go inactive to terminate the Write. The Data Input Setup and Hold timing are referenced to the rising or falling edge of the signal that terminates the Write.
2. I/O will assume the High-Z state if  $\overline{OE} = V_{IH}$ .



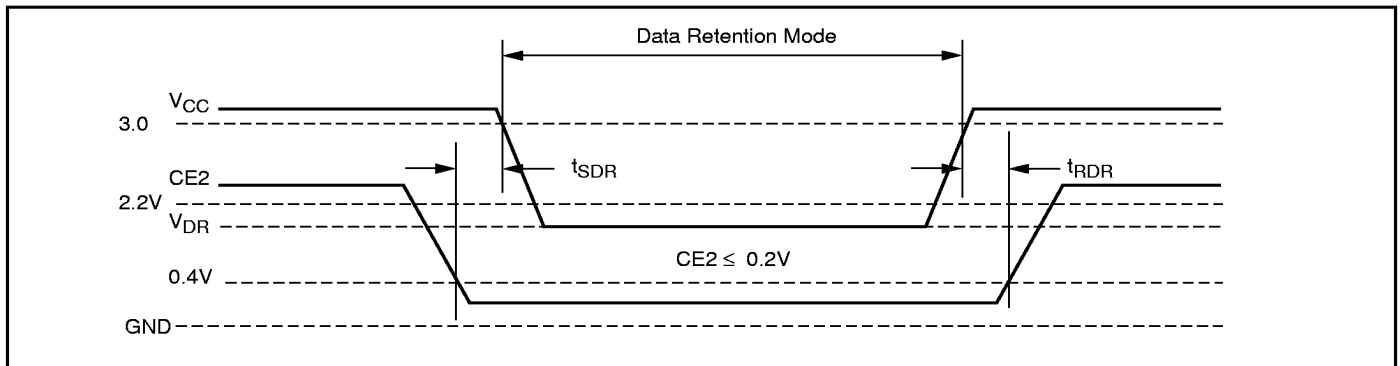
**DATA RETENTION SWITCHING CHARACTERISTICS**

Symbol	Parameter	Test Condition	Min.	Max.	Unit
V <sub>DR</sub>	V <sub>CC</sub> for Data Retention	See Data Retention Waveform	2.0	3.6	V
I <sub>DR</sub>	Data Retention Current	V <sub>CC</sub> = 2.0V, $\overline{CE1} \geq V_{CC} - 0.2V$	Com. (-L) Com. (-LL) Ind. (-L) Ind. (-LL)	— 30 25 50 30	$\mu A$ $\mu A$ $\mu A$ $\mu A$
t <sub>SDR</sub>	Data Retention Setup Time	See Data Retention Waveform	0	—	ns
t <sub>RDR</sub>	Recovery Time	See Data Retention Waveform	t <sub>RC</sub>	—	ns

**DATA RETENTION WAVEFORM ( $\overline{CE1}$  Controlled)**



**DATA RETENTION WAVEFORM (CE2 Controlled)**



## IS62LV1024L

## ORDERING INFORMATION

Commercial Range: 0°C to +70°C

Speed (ns)	Order Part No.	Package
35	IS62LV1024L-35Q	450-mil Plastic SOP
	IS62LV1024L-35T	TSOP, Type I
	IS62LV1024L-35H	STSOP, Type I
45	IS62LV1024L-45Q	450-mil Plastic SOP
	IS62LV1024L-45T	TSOP, Type I
	IS62LV1024L-45H	STSOP, Type I
55	IS62LV1024L-55Q	450-mil Plastic SOP
	IS62LV1024L-55T	TSOP, Type I
	IS62LV1024L-55H	STSOP, Type I
70	IS62LV1024L-70Q	450-mil Plastic SOP
	IS62LV1024L-70T	TSOP, Type I
	IS62LV1024L-70H	STSOP, Type I

## IS62LV1024LL

## ORDERING INFORMATION

Commercial Range: 0°C to +70°C

Speed (ns)	Order Part No.	Package
35	IS62LV1024LL-35Q	450-mil Plastic SOP
	IS62LV1024LL-35T	TSOP, Type I
	IS62LV1024LL-35H	STSOP, Type I
45	IS62LV1024LL-45Q	450-mil Plastic SOP
	IS62LV1024LL-45T	TSOP, Type I
	IS62LV1024LL-45H	STSOP, Type I
55	IS62LV1024LL-55Q	450-mil Plastic SOP
	IS62LV1024LL-55T	TSOP, Type I
	IS62LV1024LL-55H	STSOP, Type I
70	IS62LV1024LL-70Q	450-mil Plastic SOP
	IS62LV1024LL-70T	TSOP, Type I
	IS62LV1024LL-70H	STSOP, Type I

## IS62LV1024L

## ORDERING INFORMATION

Industrial Range: -40°C to +85°C

Speed (ns)	Order Part No.	Package
35	IS62LV1024L-35QI	450-mil Plastic SOP
	IS62LV1024L-35TI	TSOP, Type I
	IS62LV1024L-35HI	STSOP, Type I
45	IS62LV1024L-45QI	450-mil Plastic SOP
	IS62LV1024L-45TI	TSOP, Type I
	IS62LV1024L-45HI	STSOP, Type I
55	IS62LV1024L-55QI	450-mil Plastic SOP
	IS62LV1024L-55TI	TSOP, Type I
	IS62LV1024L-55HI	STSOP, Type I
70	IS62LV1024L-70QI	450-mil Plastic SOP
	IS62LV1024L-70TI	TSOP, Type I
	IS62LV1024L-70HI	STSOP, Type I

## IS62LV1024LL

## ORDERING INFORMATION

Industrial Range: -40°C to +85°C

Speed (ns)	Order Part No.	Package
35	IS62LV1024LL-35QI	450-mil Plastic SOP
	IS62LV1024LL-35TI	TSOP, Type I
	IS62LV1024LL-35HI	STSOP, Type I
45	IS62LV1024LL-45QI	450-mil Plastic SOP
	IS62LV1024LL-45TI	TSOP, Type I
	IS62LV1024LL-45HI	STSOP, Type I
55	IS62LV1024LL-55QI	450-mil Plastic SOP
	IS62LV1024LL-55TI	TSOP, Type I
	IS62LV1024LL-55HI	STSOP, Type I
70	IS62LV1024LL-70QI	450-mil Plastic SOP
	IS62LV1024LL-70TI	TSOP, Type I
	IS62LV1024LL-70HI	STSOP, Type I

**Integrated Silicon Solution, Inc.**

2231 Lawson Lane  
 Santa Clara, CA 95054  
 Fax: (408) 588-0806  
 Toll Free: 1-800-379-4774  
 Email: sales@issi.com  
<http://www.issi.com>