




ICS9112-18 Zero Delay, Low Skew Buffer

Description

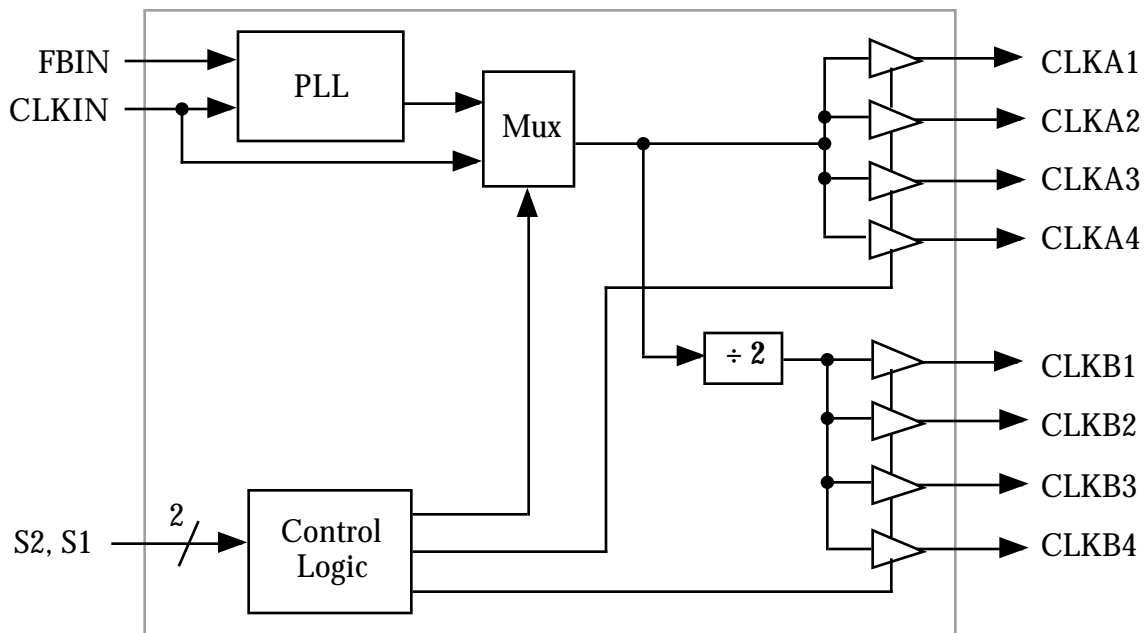
The ICS9112-18 is a low jitter, low-skew, high performance PLL based zero delay buffer for high speed applications. Based on ICS's proprietary low jitter Phase Locked Loop (PLL) techniques, the device provides eight low skew outputs at speeds up to 160 MHz at 3.3 V. The ICS9112-18 includes a bank of four outputs running at 1X, and another four outputs running at 1/2X. In the zero delay mode, the rising edge of the input clock is aligned with the rising edges of all eight outputs. Compared to competitive CMOS devices, the ICS9112-18 has the lowest jitter of all.

ICS manufactures the largest variety of clock generators and buffers, and is the largest clock supplier in the world.

Features

- Packaged in 16 pin narrow SOIC 
- Zero input-output delay
- Four 1X outputs plus four half-X outputs
- Output to output skew is less than 250 ps
- Output clocks up to 160 MHz at 3.3 V
- Ability to generate 2X the input
- Full CMOS outputs with 18 mA output drive capability at TTL levels at 3.3 V
- Spread Smart™ technology works with spread spectrum clock generators
- Advanced, low power, sub-micron CMOS process
- 3.0 to 5.5 V operating voltage

Block Diagram





ICS9112-18

Zero Delay, Low Skew Buffer

Pin Assignment

ICS9112-18

CLKIN	□ 1	16	□ FBIN
CLKA1	□ 2	15	□ CLKA4
CLKA2	□ 3	14	□ CLKA3
VDD	□ 4	13	□ VDD
GND	□ 5	12	□ GND
CLKB1	□ 6	11	□ CLKB4
CLKB2	□ 7	10	□ CLKB3
S2	□ 8	9	□ S1

16 pin narrow (150 mil) SOIC

Feedback Configuration Table

Feedback From	CLKA1:A4	CLKB1:B4
Bank A	CLKIN	CLKIN/2
Bank B	2XCLKIN	CLKIN

Output Clock Mode Select Table

S2	S1	Clocks A1-A4	Clocks B1-B4	Internal Generation	PLL Status
0	0	Tri-state (high impedance)	Tri-state (high impedance)	None	On
0	1	Running	Tri-state (high impedance)	PLL	On
1	0	Running	Running	Buffer Only (no zero delay)	Off
1	1	Running	Running	PLL	On

Pin Descriptions

Number	Name	Type	Description
1	CLKIN	I	CLock INput. Connect to input clock source.
2, 3, 14, 15	CLKA1:4	O	CLock A bank of four outputs.
4, 13	VDD	P	Power supply. Connect both pins to same voltage (either 3.3V or 5V).
5, 12	GND	P	Connect to ground.
6, 7, 10, 11	CLKB1:4	O	CLock B bank of four outputs. These are low skew divide by two of bank A.
8	S2	I	Select input #2. Selects mode for outputs per table above.
9	S1	I	Select input #1. Selects mode for outputs per table above.
16	FBIN	I	FeedBack INput. Determines outputs per Feedback Configuration Table above.

Key: I = Input; O = output; P = power supply connection.

External Components

The ICS9112-18 requires a minimum number of external components for proper operation. Decoupling capacitors of 0.1µF should be connected between VDD and GND on pins 4 and 5, and VDD and GND on pins 13 and 12, as close to the device as possible. A series termination resistor of 33 Ω may be used close to the pin for each clock output to reduce reflections.



ICS9112-18

Zero Delay, Low Skew Buffer

Electrical Specifications

Parameter	Conditions	Minimum	Typical	Maximum	Units
ABSOLUTE MAXIMUM RATINGS (note 1)					
Supply voltage, VDD	Referenced to GND	-0.5		7	V
Inputs and Clock Outputs	Referenced to GND	-0.5		VDD+0.5	V
Electrostatic Discharge	MIL-STD-883	2000			V
Ambient Operating Temperature		0		70	°C
Soldering Temperature	Max of 10 seconds			260	°C
Junction temperature				150	°C
Storage temperature		-65		150	°C
DC CHARACTERISTICS (VDD = 3.3 V unless specified otherwise)					
Operating Voltage, VDD		3.00		5.50	V
Input High Voltage, VIH, CLKIN pin only		VDD/2+1	VDD/2		V
Input Low Voltage, VIL, CLKIN pin only			VDD/2	VDD/2-1	V
Input High Voltage, VIH		2			V
Input Low Voltage, VIL				0.8	V
Output High Voltage, VOH	IOH=-18 mA	2.4			V
Output Low Voltage, VOL	IOL=18 mA			0.4	V
Output High Voltage, VOH, CMOS level	IOH=-5 mA	VDD-0.4			V
Operating Supply Current, IDD (Note 2)	No Load, S1 = S2 = 1		44		mA
Short Circuit Current	Each output		±65		mA
Input Capacitance	S2, S1, FBIN		7		pF
AC CHARACTERISTICS (VDD = 3.3 V unless specified otherwise)					
Input Clock Frequency	FBIN to CLKA1, S1=S2=1	20		160	MHz
Output Clock Frequency	FBIN to CLKA1, S1=S2=1	20		160	MHz
Output Clock Rise Time, CL=30pF	0.8 to 2.0V			1.5	ns
Output Clock Fall Time, CL=30pF	2.0 to 0.8V			1.5	ns
Output Clock Duty Cycle, VDD=3.3V	At 1.4V	40	50	60	%
Device to Device Skew, equally loaded	rising edges at VDD/2			700	ps
Output to Output Skew, equally loaded	rising edges at VDD/2			250	ps
Maximum Absolute Jitter			300		ps
Cycle to Cycle Jitter, 30pF loads	66.67 MHz outputs			500	ps

- Notes: 1. Stresses beyond those listed under Absolute Maximum Ratings could cause permanent damage to the device. Prolonged exposure to levels above the operating limits but below the Absolute Maximums may affect device reliability.
 2. With CLKIN = 160 MHz, FBIN to CLKA1

Using Spread Spectrum Input Clocks

The ICS9112-18 uses ICS' Spread Smart technology, allowing it to accurately track (pass through) any clocks that use spread spectrum techniques.



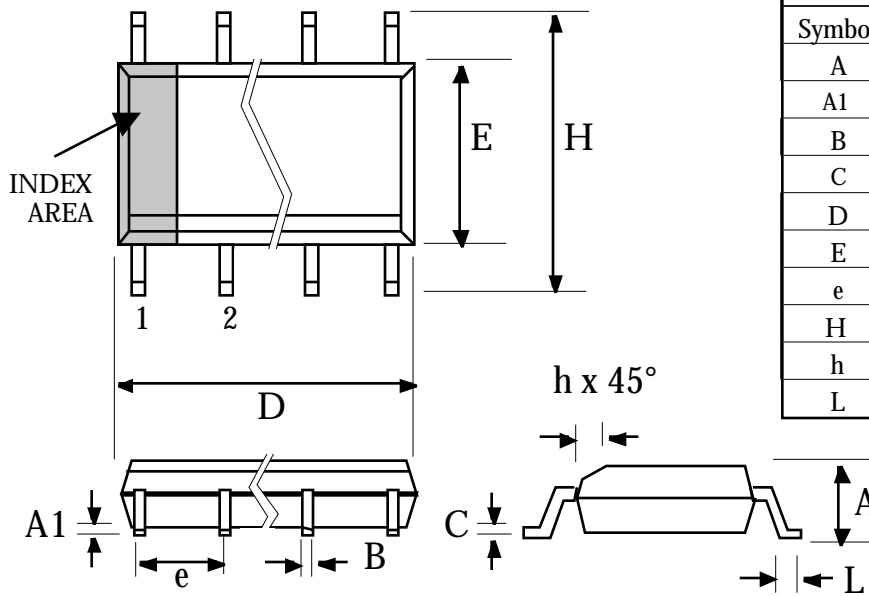
ICS9112-18

Zero Delay, Low Skew Buffer

Package Outline and Package Dimensions

(For current dimensional specifications, see JEDEC Publication No. 95.)

16 pin SOIC narrow



Symbol	Inches		Millimeters	
	Min	Max	Min	Max
A	0.0532	0.0688	1.35	1.75
A1	0.0040	0.0098	0.10	0.24
B	0.0130	0.0200	0.33	0.51
C	0.0075	0.0098	0.19	0.24
D	0.3859	0.3937	9.80	10.00
E	0.1497	0.1574	3.80	4.00
e	.050 BSC		1.27 BSC	
H	0.2284	0.2440	5.80	6.20
h	0.0099	0.0195	0.25	0.50
L	0.0160	0.0500	0.41	1.27

Ordering Information

Part/Order Number	Marking*	Shipping packaging	Package	Temperature
ICS9112BM-18	9112BM-18	tubes	16 pin SOIC	0-70 °C
ICS9112BM-18T	9112BM-18	tape and reel	16 pin SOIC	0-70 °C

*Also indicated on the top of the package are the initials ICS in a box.

While the information presented herein has been checked for both accuracy and reliability, Integrated Circuit Systems, Incorporated (ICS) assumes no responsibility for either its use or for the infringement of any patents or other rights of third parties, which would result from its use. No other circuits, patents, or licenses are implied. This product is intended for use in normal commercial applications. Any other applications such as those requiring extended temperature range, high reliability, or other extraordinary environmental requirements are not recommended without additional processing by ICS. ICS reserves the right to change any circuitry or specifications without notice. ICS does not authorize or warrant any ICS product for use in life support devices or critical medical instruments.