

DESCRIPTION

The HYM536410A is a 4M x 36-bit Fast page mode CMOS DRAM module consisting of eight HY5117400A in 24/26 pin SOJ or TSOPII and four HY514100A in 20/26 pin SOJ or TSOP II on a 72 pin glass-epoxy printed circuit board. 0.22μF decoupling capacitor is mounted for each DRAM.

The HYM536410AM/ALM/ATM/ALTM are Tin-Lead plated and HYM536410AMG/ALMG/ATMG/ALTMG are Gold plated socket type Single In-line Memory Modules suitable for easy interchange and addition of 16 Mbyte memory.

FEATURES

- Low power dissipation
 - Max. battery back-up 30.8mW (L-part)
 - Max. CMOS standby 22.0mW (L-part)
 - 66.0mW
 - Max. TTL standby 132.0mW
 - Max. operating

Speed	Power
50	9.13W
60	7.70W
70	6.49W

- Single power supply of 5V± 10%
- TTL compatible inputs and outputs
- Fast access time

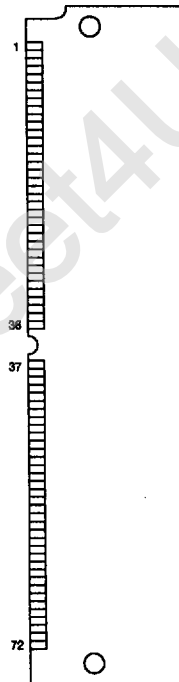
Speed	tRAC	tCAC	tPC
50	50ns	15ns	35ns
60	60ns	15ns	40ns
70	70ns	20ns	45ns

- Fast page mode operation
- CAS-before-RAS, RAS-only, Hidden refresh
- 2048 refresh cycles / 256ms (L-part)
- 2048 refresh cycles / 32ms

PIN DESCRIPTION

RAS0, RAS2	Row Address Strobe
CAS0-CAS3	Column Address Strobe
WE	Write Enable
A0-A10	Address Input
DQ0-DQ35	Data Input/Output
PD1-PD4	Presence Detect
Vcc	Power (+ 5V)
Vss	Ground

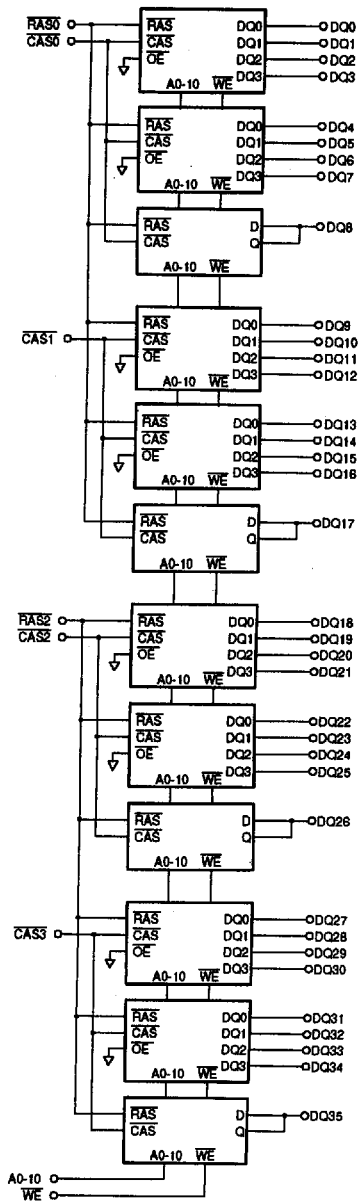
PIN CONNECTION



PIN NAME

#	NAME	#	NAME
1	Vss	37	DQ17
2	DQ0	38	DQ35
3	DQ18	39	Vss
4	DQ1	40	CAS0
5	DQ19	41	CAS2
6	DQ2	42	CAS3
7	DQ20	43	CAS1
8	DQ3	44	RAS0
9	DQ21	45	NC
10	Vcc	46	NC
11	PD5	47	WE
12	A0	48	NC
13	A1	49	DQ9
14	A2	50	DQ27
15	A3	51	DQ10
16	A4	52	DQ28
17	A5	53	DQ11
18	A6	54	DQ29
19	A10	55	DQ12
20	DQ4	56	DQ30
21	DQ22	57	DQ13
22	DQ5	58	DQ31
23	DQ23	59	Vcc
24	DQ6	60	DQ32
25	DQ24	61	DQ14
26	DQ7	62	DQ33
27	DQ25	63	DQ15
28	A7	64	DQ34
29	NC	65	DQ16
30	Vcc	66	PD EDO
31	A8	67	PD1
32	A9	68	PD2
33	NC	69	PD3
34	RAS2	70	PD4
35	DQ26	71	PD REF.
36	DQ8	72	Vss

BLOCK DIAGRAM



PRESENCE DETECT PIN

PIN	-50	-60	-70
PD1	Vss	Vss	Vss
PD2	NC	NC	NC
PD3	Vss	NC	Vss
PD4	Vss	NC	NC
PD5	NC	NC	NC

PIN	PIN 66 (PD EDO)	PIN 71 (PD REF.)
Vss	-	Extended, Self-Refresh
NC	FAST PAGE	Standard, Not Self-Refresh

* This Product has no EDO option

ABSOLUTE MAXIMUM RATINGS

SYMBOL	PARAMETER	RATING	UNIT
TA	Ambient Temperature	0 to 70	°C
TSTG	Storage Temperature	-55 to 150	°C
VIN, VOUT	Voltage on Any Pin Relative to Vss	-1.0 to 7.0	V
Vcc	Voltage on Vcc Relative to Vss	-1.0 to 7.0	V
Ios	Short Circuit Output Current	50	mA
Pd	Power Dissipation	12.76	W

NOTE : Operation at or above Absolute Maximum Ratings can adversely affect device reliability.

RECOMMENDED DC OPERATING CONDITIONS

(TA= 0°C to 70°C)

SYMBOL	PARAMETER	MIN.	TYP.	MAX.	UNIT
Vcc	Supply Voltage	4.5	5.0	5.5	V
VIH	Input High Voltage	2.4	-	Vcc+ 1.0	V
UIL	Input Low Voltage	-1.0	-	0.8	V

NOTE : All voltages are referenced to Vss.

DC CHARACTERISTICS

(TA= 0°C to 70°C, VCC= 5V± 10%, VSS= 0V, unless otherwise noted.)

SYMBOL	PARAMETER	TEST CONDITIONS	SPEED/ POWER	MIN.	MAX.	UNIT	NOTE
ILI	Input Leakage Current (Any Input Pin)	VSS ≤ VIN ≤ VCC+ 1.0, All other pins not under test= VSS		-120	120	μA	
ILO	Output Leakage Current (High Impedance State)	VSS ≤ VOUT ≤ VCC, RAS & CAS at VIH		-10	10	μA	
ICC1	VCC Supply Current, Operating	tRC= tRC (min.)	50	-	1660	mA	1,2,3
			60	-	1400		
			70	-	1180		
ICC2	VCC Supply Current, TTL Standby	RAS & CAS at VIH, other inputs ≥ VSS		-	24	mA	
ICC3	VCC Supply Current, RAS-only refresh	tRC= tRC (min.)	50	-	1660	mA	1,3
			60	-	1400		
			70	-	1180		
ICC4	VCC Supply Current, Fast Page mode	tPC= tPC (min.)	50	-	1020	mA	1,2,3
			60	-	900		
			70	-	780		
ICC5	VCC Supply Current, CMOS Standby	RAS & CAS ≥ VCC-0.2V	L-part	-	12 4.0	mA	5
ICC6	VCC Supply Current, CAS-before-RAS refresh	tRC= tRC (min.)	50	-	1660	mA	1,3
			60	-	1400		
			70	-	1180		
ICC7	VCC Supply Current, Battery Back Up (L-part only)	tRC= 125μs, CAS= CBR cycling or 0.2V WE= VCC-0.2V A0-A10= VCC-0.2V or 0.2V DQ0-DQ35= VCC-0.2V, 0.2V, or open	tRAS ≤ 300ns	-	3.6	mA	1,4,5
			tRAS ≤ 1μs	-	5.6		
VOL	Output Low Voltage	IOL= 4.2mA		-	0.4	V	
VOH	Output High Voltage	Ioh= -5mA		2.4	-	V	

NOTE :

1. ICC1, ICC3, ICC4, ICC6 and ICC7 depend on cycle rate.
2. ICC1, ICC3, ICC4 and ICC6 depend on output loading. Specified values are obtained with the output open.
3. ICC is specified as average current. For ICC1, ICC3 and ICC6, address can be changed maximum two times while RAS= VL. For ICC4, address can be changed maximum once while CAS= VIH.
4. Only tRAS(max.)= 1μs is applied to refresh of battery backup but tRAS(max.)= 10μs is applied to normal functional operation.
5. ICC5(max.)= 4.0mA and ICC7 are applied to L-part only (HYM536410ALM/ALTM/ALMG/ALTMG).

AC CHARACTERISTICS

(TA= 0°C to 70°C, Vcc = 5V± 10%, Vss = 0V, unless otherwise noted.) NOTE : 1, 2, 3

#	SYMBOL	PARAMETER	HYM536410A M-series						UNIT	NOTE
			-50		-60		-70			
			MIN.	MAX.	MIN.	MAX.	MIN.	MAX.		
1	tRC	Random Read or Write Cycle Time	90	-	110	-	130	-	ns	
2	tRPC	RAS to CAS Precharge Time	5	-	5	-	5	-	ns	
3	tPC	Fast Page Mode Cycle Time	35	-	40	-	45	-	ns	
4	tRHCP	Time from CAS Precharge	30	-	35	-	40	-	ns	
5	tRAC	Access Time from RAS	-	50	-	60	-	70	ns	5,10,11
6	tCAC	Access Time from CAS	-	15	-	15	-	20	ns	5,10
7	tAA	Access Time from Column Address	-	25	-	30	-	35	ns	5,10,11
8	tCPA	Access Time from CAS Precharge	-	30	-	35	-	40	ns	5
9	tCLZ	CAS to Output Low Impedance	0	-	0	-	0	-	ns	5
10	tOFF	Output Buffer Turn-off Delay	0	15	0	15	0	20	ns	6
11	tT	Transition Time (Rise and Fall)	3	50	3	50	3	50	ns	4
12	tRP	RAS Precharge Time	30	-	40	-	50	-	ns	
13	tRAS	RAS Pulse Width	50	10K	60	10K	70	10K	ns	
14	tRASP	RAS Pulse Width (Fast Page Mode)	50	200K	60	200K	70	200K	ns	
15	tRSH	RAS Hold Time	15	-	15	-	20	-	ns	
16	tCSH	CAS Hold Time	50	-	60	-	70	-	ns	
17	tCAS	CAS Pulse Width	15	10K	15	10K	20	10K	ns	
18	tRCD	RAS to CAS Delay	18	35	20	45	20	50	ns	10
19	tRAD	RAS to Column Address Delay Time	15	25	15	30	15	35	ns	11
20	tCRP	CAS to RAS Precharge Time	5	-	5	-	5	-	ns	
21	tCP	CAS Precharge Time	10	-	10	-	10	-	ns	
22	tASR	Row Address Set-up Time	0	-	0	-	0	-	ns	
23	tRAH	Row Address Hold Time	8	-	10	-	10	-	ns	
24	tASC	Column Address Set-up Time	0	-	0	-	0	-	ns	
25	tCAH	Column Address Hold Time	15	-	15	-	15	-	ns	
26	tAR	Column Address Hold Time from RAS	50	-	50	-	55	-	ns	
27	tRAL	Column Address to RAS Lead Time	25	-	30	-	35	-	ns	
28	tRCS	Read Command Set-up Time	0	-	0	-	0	-	ns	
29	tRCH	Read Command Hold Time Referenced to CAS	0	-	0	-	0	-	ns	7
30	tRRH	Read Command Hold Time Referenced to RAS	0	-	0	-	0	-	ns	7
31	tWCH	Write Command Hold Time	10	-	15	-	15	-	ns	
32	tWCR	Write Command Hold Time from RAS	45	-	55	-	60	-	ns	
33	tWP	Write Command Pulse Width	10	-	15	-	15	-	ns	
34	tRWL	Write Command to RAS Lead Time	15	-	15	-	20	-	ns	
35	tCWL	Write Command to CAS Lead Time	15	-	15	-	20	-	ns	
36	tDS	Data-In Set-up Time	0	-	0	-	0	-	ns	8
37	tDH	Data-In Hold Time	15	-	15	-	15	-	ns	8
38	tDHR	Data-In Hold Time Referenced to RAS	50	-	50	-	55	-	ns	
39	tREF	Refresh Period (2048 cycles)							ms	
			L-part	32 256		32 256		32 256	ms	12
40	tWCS	Write Command Set-up Time			0	-	0	-	ns	9

AC CHARACTERISTICS

(continued)

#	SYMBOL	PARAMETER	HYM536410A M-Series						UNIT	NOTE
			-50		-60		-70			
			MIN.	MAX.	MIN.	MAX.	MIN.	MAX.		
41	tCSR	CAS Set-up Time (CBR Cycle)	5	-	5	-	5	-	ns	
42	tCHR	CAS Hold Time (CBR Cycle)	10	-	10	-	10	-	ns	
43	tCPT	CAS Precharge Time (CBR Counter Test)	25	-	30	-	35	-	ns	
44	tWRP	WE to RAS Precharge Time (CBR Cycle)	10	-	10	-	10	-	ns	
45	tWRH	WE to RAS Hold Time (CBR Cycle)	10	-	10	-	10	-	ns	

NOTE :

1. An initial pause of 200 μ s is required after power-up followed by 8 RAS cycles before proper device operation is achieved. In case of using internal refresh counter, a minimum of 8 CAS-before-RAS initialization cycles instead of 8 RAS-only refresh cycles are required. The device should be carefully initialized to be prevented from being entered into multi bit test mode.
2. If RAS= Vss during power-up, the HYM536410A could begin an active cycle. This condition results in higher power-up current than necessary demands from the power-up. It is recommended that RAS and CAS track with Vcc during power-up or be held at a valid VIH in order to minimize the power-up current.
3. VIH(min.) and VIL(max.) are reference levels for measuring timing of input signals. Transition time is measured between VIH and VIL and assumed to be 5ns for all inputs.
4. Refer to the HY5117400A and HY514100A data sheet for detailed information.
5. Measured with a load equivalent to 2 TTL loads and 100pF.
6. tOFF(max.) defines the time at which the output achieves the open circuit condition and is not referenced to output voltage levels.
7. Either trCH or trRH must be satisfied for a read cycle.
8. These parameters are referenced to CAS leading edge in early write cycles.
9. twCS is not a restrictive operating parameter. It is included in the data sheet as electrical characteristics only. If twCS \geq twCS(min.), the cycle is an early write cycle and data out pin will remain open circuit (high impedance) through the entire cycle.
10. Operation within the trCD(max.) limit insures that trAC(max.) can be met. trCD(max.) is specified as a reference point only. If trCD is greater than the specified trCB(max.) limit, then access time is controlled by tCAC.
11. Operation within the tRAD(max.) limit insures that trAC(max.) can be met. tRAD(max.) is specified as a reference point only. If tRAD is greater than the specified tRAD(max.) limit, then access time is controlled by tAA.
12. tREF(max.)= 256ms is applied to L-part only (HYM536410ALM/ALTM/ALMG/ALTMG).

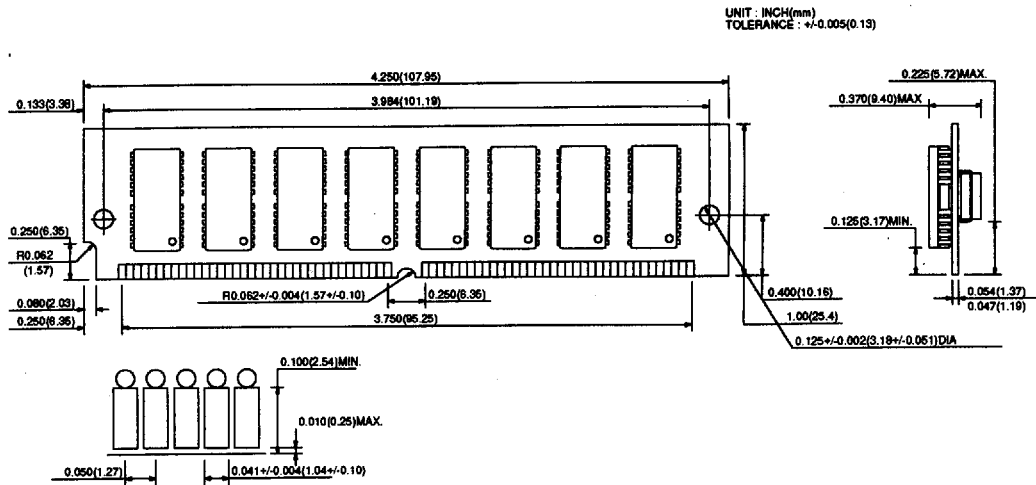
CAPACITANCE

(TA= 25°C, VCC= 5V \pm 10%, VSS= 0V, f= 1MHz, unless otherwise noted.)

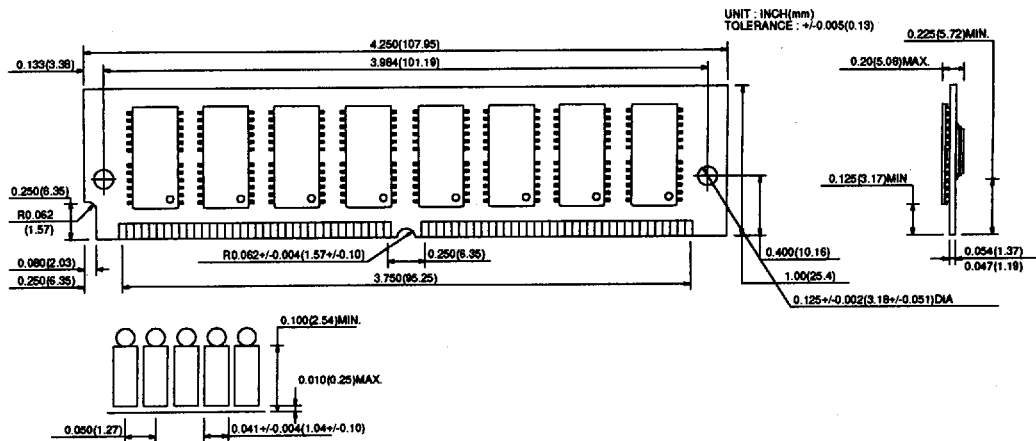
SYMBOL	PARAMETER	TYP.	MAX.	UNIT
CIN1	Input Capacitance (A0-A10)	-	88	pF
CIN2	Input Capacitance (WE)	-	94	pF
CIN3	Input Capacitance (RAS0)	-	94	pF
CIN4	Input Capacitance (CAS0-CAS3)	-	36	pF
CDQ1	Data Input/Output Capacitance (DQ0-7,9-16,18-25,27-34)	-	17	pF
CDQ2	Data Input/Output Capacitance (DQ8,17,26,35)	-	22	pF

PACKAGE INFORMATION

72 pin Single In-line Memory (M ; Tin-Lead plated, MG ; Gold plated)
HYM536410A/AL (SOJ Mounted)



HYM536410AT/ALT (TSOPII Mounted)



4675088 0005634 T66

ORDERING INFORMATION

PART NUMBER	SPEED	POWER	PACKAGE	PLATING
HYM536410AM	50/60/70		SIMM	Tin-Lead
HYM536410ALM	50/60/70	L-part	SIMM	Tin-Lead
HYM536410ATM	50/60/70		SIMM	Tin-Lead
HYM536410ALTM	50/60/70	L-part	SIMM	Tin-Lead
HYM536410AMG	50/60/70		SIMM	Gold
HYM536410ALMG	50/60/70	L-part	SIMM	Gold
HYM536410ATMG	50/60/70		SIMM	Gold
HYM536410ALTMG	50/60/70	L-part	SIMM	Gold

■ 4675088 0005635 9T2 ■