

**Features**

- Read + 3Write Channel laser driver with oscillator and fast I/V amplifier plus a separate ROM laser driver with oscillator
- 200V/μs I/V amplifier
- 100X gain, 100mA low noise read channel
- 200X gain, 200mA write channel plus two 100X gain, 100mA write channels
- 500MHz, 100mAp.p Oscillator
- Write Rise/Fall times = 0.8ns
- Single +5V supply

**Applications**

- Combo CD-RW + DVD-ROM
- CD-RW to 16X
- CD-R to 32X
- Writable Optical Disk Drives

**Ordering Information**

Part No.	Temp. Range	Package	Outline #
EL6280CU	0°C to +70°C	QSOP-24	MDP0040
EL6280CL		LPP-24	MDP0046

**General Description**

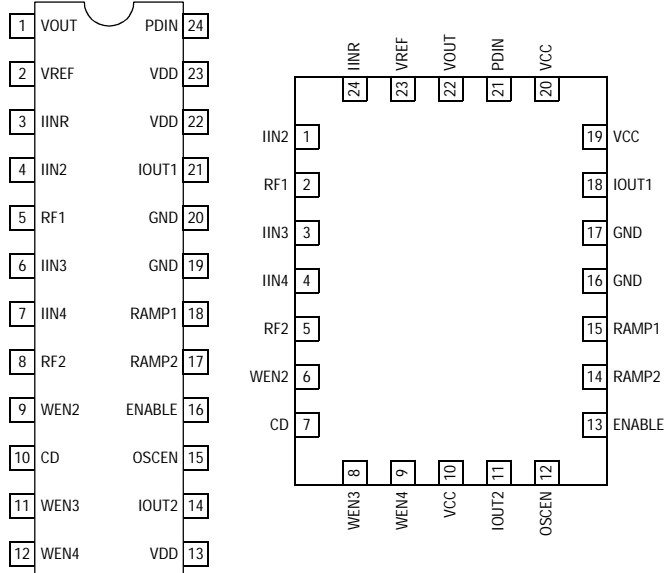
The EL6280C is a combination read + 3 write level laser driver and IV amplifier, with an extra read + oscillator ROM channel for use in dual-laser ‘Combo’ drivers. A separate (amplitude and frequency) oscillator modulates the selected output for laser noise reduction during read or write. All these functions are provided in a 24 lead QSOP package.

The CD pin when high selects the CD (write) laser. Positive current supplied to the IIN lines, through a user selected resistor, allow the full scale range of each amplifier to be matched to the full scale range of the users control DACs. When the write laser is selected, and the WEN pins are switched low, the respective current is summed to the output with 1ns rise and fall times. Write channel 2 has 200mA output capability with an 200X gain amplifier.

The 100mAp.p (max) oscillator is switched on and off by the OSCEN line. The CD line allows the oscillator to operate at different amplitudes and frequencies for each laser.

The entire chip is powered down when ENABLE is low. The user can define the gain of the I/V amplifier. With a slew rate of 200V/μs, the I/V amplifier can normally settle to 1% within 30ns.

**Connection Diagram**



Note: All information contained in this data sheet has been carefully checked and is believed to be accurate as of the date of publication; however, this data sheet cannot be a "controlled document". Current revisions, if any, to these specifications are maintained at the factory and are available upon your request. We recommend checking the revision level before finalization of your design documentation.

# ***EL6280C - Product Brief***

*Dual Laser Driver with APC Amp*

## **General Disclaimer**

Specifications contained in this data sheet are in effect as of the publication date shown. Elantec, Inc. reserves the right to make changes in the circuitry or specifications contained herein at any time without notice. Elantec, Inc. assumes no responsibility for the use of any circuits described herein and makes no representations that they are free from patent infringement.

***élantec***

HIGH PERFORMANCE ANALOG INTEGRATED CIRCUITS

## **Elantec Semiconductor, Inc.**

675 Trade Zone Blvd.

Milpitas, CA 95035

Telephone: (408) 945-1323

(888) ELANTEC

Fax: (408) 945-9305

European Office: +44-118-977-6020

Japan Technical Center: +81-45-682-5820

## **WARNING - Life Support Policy**

Elantec, Inc. products are not authorized for and should not be used within Life Support Systems without the specific written consent of Elantec, Inc. Life Support systems are equipment intended to support or sustain life and whose failure to perform when properly used in accordance with instructions provided can be reasonably expected to result in significant personal injury or death. Users contemplating application of Elantec, Inc. Products in Life Support Systems are requested to contact Elantec, Inc. factory headquarters to establish suitable terms & conditions for these applications. Elantec, Inc.'s warranty is limited to replacement of defective components and does not cover injury to persons or property or other consequential damages.