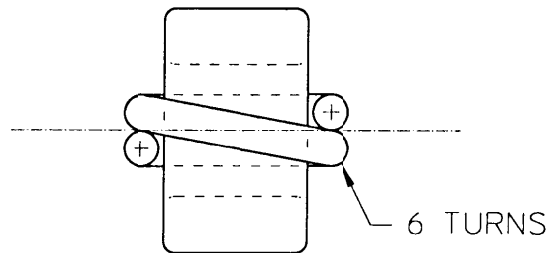
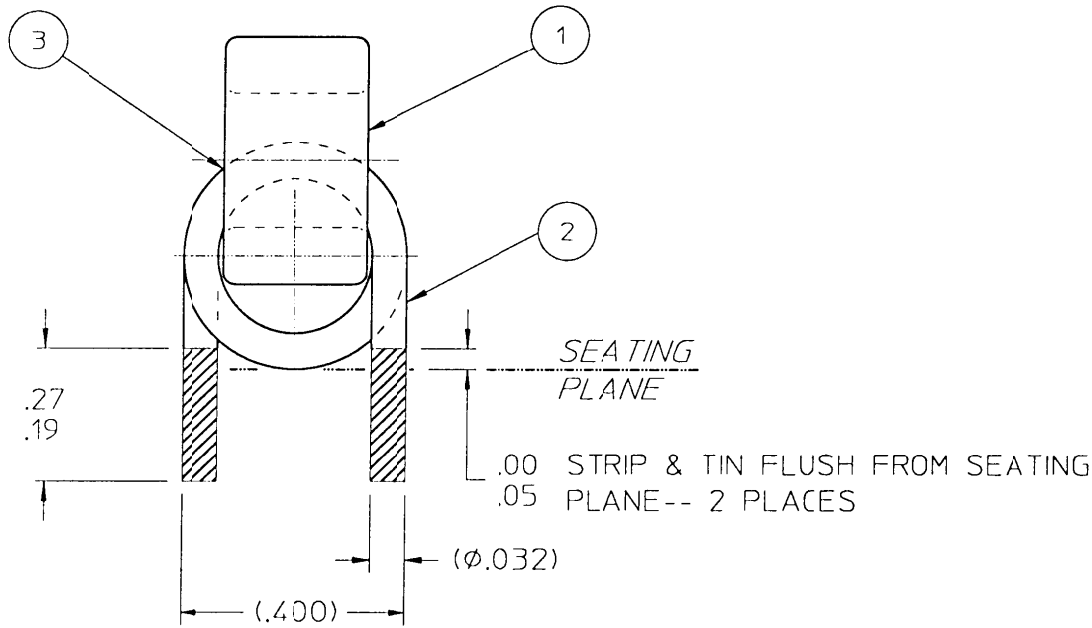


**VICOR CONFIDENTIAL**

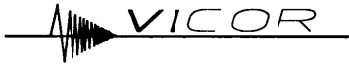
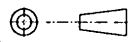
THIS DOCUMENT AND THE DATA DISCLOSED  
HEREIN OR HEREWITH IS NOT TO BE REPRODUCED,  
USED, OR DISCLOSED IN WHOLE OR IN PART  
TO ANYONE WITHOUT PERMISSION OF VICOR CORP.

REV.	DESCRIPTION	DATE	APPROVED
01	RELSD- E960291	DPK 6/17/96	RCM
02	REVSD- E970468	RCM 11/25/97	DPK



**ORIGINAL  
ONLY WHEN STAMPED  
IN RED**

3	A/R	-		ADHESIVE, SICOMET 7000	
2	6.6	IN.		WIRE, COPPER, SOLID. #20AWG, MAGNET	
1	1	EA		CORF. 1.8uH OUTPUT	MICROMETALS-T38-26
ITEM	QTY.	U/M	PART NO.	DESCRIPTION	MAT'L. SPEC.

DRAWN BY		DATE			
		6/96			
UNLESS OTHERWISE SPECIFIED DIMENSIONS ARE IN INCHES. TOLERANCES ARE:					
FRACTIONS		DECIMALS		ANGLES	
+1/64		.XX- .01		.1*	
		.XXX- .005			
THIRD ANGLE PROJECTION			SIZE	FSCM NO.	DWG NO
			B	67131	14123
DO NOT SCALE DRAWING			SCALE	NONE	SHEET 1 OF 1

**INDUCTOR ASSY,  
OUTPUT, 1.8 uH**

8  
2