



## T7630 Dual T1/E1 5.0 V Short-Haul Terminator (Terminator-II)

### Features

The T7630 Dual T1/E1 Terminator consists of two independent, highly integrated, software-configurable, full-featured short-haul transceiver/framers. The T7630 provides glueless interconnection from a T1/E1 line to a digital PCM system. Minimal external clocks are needed. Only a system clock/frame sync and a phase-locked line rate clock are required. System diagnostic and performance monitoring capability with integrated programmable test pattern generator/detector and loopback modes is provided.

### Power Requirements and Package

- Single 5 V  $\pm$  5% supply.
- Low power: 375 mW per channel maximum.
- 144-pin TQFP package.
- Operating temperature range:  $-40$  °C to  $+85$  °C.

### T1/E1 Line Interface Features

- Full T1/E1 pulse template compliance.
- Receiver provides equalization for up to 11 dB of loss.
- Digital clock and data recovery.
- Line coding: B8ZS, HDB3, ZCS, and AMI.
- Line interface coupling and matching networks for T1 and E1 (120  $\Omega$  and 75  $\Omega$ ).

### T1/E1 Framer Features

- Supports T1 framing modes ESF, D4, SLC<sup>®</sup>-96, T1DM DDS.
- Supports G.704 basic and CRC-4 multiframe format E1 framing and procedures consistent with G.706.
- Supports unframed transmission format.
- T1 signaling modes: transparent; ESF 2-state, 4-state, and 16-state; D4 2-state and 4-state; SLC-96 2-state, 4-state, 9-state and 16-state. E1 signaling modes: transparent and CAS.

- Alarm reporting and performance monitoring per AT&T, ANSI\*, and ITU-T standards.
- Programmable, independent transmit and receive system interfaces at a 2.048 MHz, 4.096 MHz, or 8.192 MHz data rate.
- System interface master mode for generation of system frame sync from the line source.
- Internal phase-locked loop (with external VCXO) for generation of system clock from the line source.

### Facility Data Link Features

- HDLC or transparent modes.
- Automatic transmission and detection of ANSI T1.403 FDL performance report message and bit-oriented codes.
- 64-byte FIFO in both transmit and receive directions.

### Microprocessor Interface

- 33 MHz, 8-bit data interface, no wait-states.
- Intel<sup>†</sup> or Motorola<sup>‡</sup> interface modes with multiplexed or demultiplexed buses.
- Directly addressable control registers.

### Applications

- **Customer Premises Equipment**—CSU/DSU, routers, digital PBX, channel banks (CB), base transceiver stations (BTS-picocell), small switches, and digital subscriber loop access multiplexers (DSLAM).
- **Loop/Access**—DLC/IDLC, DCS, BTS (microcell/macrocell), DSLAMs, and multiplexers (terminal, synchronous/asynchronous, add drop).
- **Central Office**—Digital switches, DCS, CB, access concentrators, remote switch modules (RSM), and DSLAMs.
- **Test Equipment**—Transmission/BERT tester.

\* ANSI is a registered trademark of American National Standards Institute, Inc.

† Intel is a registered trademark of Intel Corporation.

‡ Motorola is a registered trademark of Motorola, Inc.

## Table of Contents

Contents	Page
Features .....	1
T1/E1 Line Interface Features.....	1
Power Requirements and Package.....	1
T1/E1 Framer Features.....	1
Facility Data Link Features.....	1
Microprocessor Interface.....	1
Applications.....	1
Feature Descriptions .....	12
T1/E1 Line Interface Features.....	12
T1/E1 Framer Features.....	12
Facility Data Link Features.....	13
User-Programmable Microprocessor Interface .....	13
Functional Description .....	14
Pin Information .....	18
Line Interface Unit: Block Diagram .....	25
Line Interface Unit: Receive .....	25
Data Recovery.....	25
Jitter Accommodation and Jitter Transfer Without the Jitter Attenuator .....	26
Receive Line Interface Configuration Modes .....	26
Line Interface Unit: Transmit .....	32
Output Pulse Generation.....	32
LIU Transmitter Configuration Modes .....	33
LIU Transmitter Alarms .....	33
DSX-1 Transmitter Pulse Template and Specifications .....	34
CEPT Transmitter Pulse Template and Specifications .....	36
Line Interface Unit: Jitter Attenuator .....	37
Generated (Intrinsic) Jitter.....	37
Jitter Transfer Function .....	37
Jitter Accommodation.....	38
Jitter Attenuator Enable (Transmit or Receive Path).....	38
Line Interface Unit: Loopbacks .....	41
Full Local Loopback (FLLOOP).....	41
Remote Loopback (RLOOP) .....	41
Digital Local Loopback (DLLOOP) .....	41
Line Interface Unit: Other Features .....	41
LIU Powerdown (PWRDN) .....	41
Loss of Framer Receive Line Clock (LOFRMRLCK Pin).....	41
In-Circuit Testing and Driver High-Impedance State ( $\bar{3}$ -STATE).....	41
LIU Delay Values.....	42
SYSCK Reference Clock.....	42
Line Interface Unit: Line Interface Networks.....	43
LIU-Framer Interface .....	46
LIU-Framer Physical Interface.....	46
Interface Mode and Line Encoding.....	47
DS1: Alternate Mark Inversion (AMI).....	48
DS1: Zero Code Suppression (ZCS).....	48
CEPT: High-Density Bipolar of Order 3 (HDB3).....	49
Frame Formats .....	49
T1 Framing Structures.....	49

**Table of Contents** (continued)

<b>Contents</b>	<b>Page</b>
T1 Loss of Frame Alignment (LFA).....	57
T1 Frame Recovery Alignment Algorithms .....	58
T1 Robbed-Bit Signaling .....	59
CEPT 2.048 Basic Frame, CRC-4 Time Slot 0, and Signaling Time Slot 16 Multiframe Structures.....	61
CEPT 2.048 Basic Frame Structure.....	62
CEPT Loss of Basic Frame Alignment (LFA).....	63
CEPT Loss of Frame Alignment Recovery Algorithm .....	63
CEPT Time Slot 0 CRC-4 Multiframe Structure.....	64
CEPT Loss of CRC-4 Multiframe Alignment (LTS0MFA) .....	65
CEPT Loss of CRC-4 Multiframe Alignment Recovery Algorithms.....	66
CEPT Time Slot 16 Multiframe Structure.....	70
CEPT Loss of Time Slot 16 Multiframe Alignment (LTS16MFA) .....	71
CEPT Loss of Time Slot 16 Multiframe Alignment Recovery Algorithm .....	71
CEPT Time Slot 0 FAS/NOT FAS Control Bits .....	71
FAS/NOT FAS Si- and E-Bit Source.....	71
NOT FAS A-Bit (CEPT Remote Frame Alarm) Sources .....	72
NOT FAS Sa-Bit Sources .....	72
Sa Facility Data Link Access.....	73
NOT FAS Sa Stack Source and Destination.....	74
CEPT Time Slot 16 X0—X2 Control Bits .....	76
Signaling Access.....	76
Transparent Signaling.....	76
DS1: Robbed-Bit Signaling .....	76
CEPT: Time Slot 16 Signaling.....	77
Auxiliary Framer I/O Timing .....	78
Alarms and Performance Monitoring.....	81
Interrupt Generation.....	81
Alarm Definition.....	81
Event Counters Definition .....	86
Loopback and Transmission Modes .....	88
Line Test Patterns.....	91
Automatic and On-Demand Commands.....	95
Receive Facility Data Link Interface.....	97
Transmit Facility Data Link Interface.....	103
HDLC Operation .....	104
Transparent Mode.....	107
Diagnostic Modes .....	108
Phase-Lock Loop Circuit.....	110
Framer-System (CHI) Interface.....	112
DS1 Modes .....	112
CEPT Modes.....	112
Receive Elastic Store.....	112
Transmit Elastic Store.....	112
Concentration Highway Interface .....	112
CHI Parameters .....	113
CHI Frame Timing.....	115
CHI Offset Programming.....	118
JTAG Boundary-Scan Specification.....	120
Principle of the Boundary Scan.....	120

## Table of Contents (continued)

Contents	Page
Test Access Port Controller.....	121
Instruction Register .....	123
Boundary-Scan Register .....	124
BYPASS Register.....	124
IDCODE Register .....	124
3-State Procedures .....	124
Microprocessor Interface .....	125
Overview .....	125
Microprocessor Configuration Modes.....	125
Microprocessor Interface Pinout Definitions.....	126
Microprocessor Clock (MPCLK) Specifications.....	127
Microprocessor Interface Register Address Map .....	127
I/O Timing.....	127
Reset .....	134
Hardware Reset (Pin 43/139).....	134
Software Reset/Software Restart.....	134
Register Architecture .....	135
Global Register Architecture.....	139
Global Register Structure .....	140
Primary Block Interrupt Status Register (GREG0) .....	140
Primary Block Interrupt Enable Register (GREG1) .....	140
Global Loopback Control Register (GREG2) .....	141
Global Loopback Control Register (GREG3) .....	141
Global Control Register (GREG4).....	142
Device ID and Version Registers (GREG5—GREG7) .....	142
Line Interface Unit (LIU) Register Architecture.....	143
Line Interface Alarm Register .....	144
Alarm Status Register (LIU_REG0).....	144
Line Interface Alarm Interrupt Enable Register .....	144
Alarm Interrupt Enable Register (LIU_REG1) .....	144
Line Interface Control Registers .....	145
LIU Control Register (LIU_REG2).....	145
LIU Control Register (LIU_REG3).....	145
LIU Control Register (LIU_REG4).....	146
LIU Configuration Register (LIU_REG5).....	147
LIU Configuration Register (LIU_REG6).....	147
Framer Register Architecture .....	148
Framer Status/Counter Registers.....	149
FDL Register Architecture .....	190
FDL Parameter/Control Registers (800—80E; E00—E0E) .....	191
Register Maps .....	198
Global Registers.....	198
Line Interface Unit Parameter/Control and Status Registers .....	198
Framer Parameter/Control Registers (Read-Write).....	199
Receive Framer Signaling Registers (Read-Only) .....	201
Framer Unit Parameter Register Map .....	202
Transmit Signaling Registers (Read/Write).....	205
Facility Data Link Parameter/Control and Status Registers (Read-Write).....	206
Absolute Maximum Ratings.....	207

**Table of Contents** (continued)

<b>Contents</b>	<b>Page</b>
Operating Conditions .....	207
Handling Precautions .....	207
Electrical Characteristics .....	208
Logic Interface Characteristics .....	208
Power Supply Bypassing .....	208
Outline Diagram .....	209
144-Pin TQFP .....	209
Ordering Information .....	210

<b>Figures</b>	<b>Page</b>
Figure 1. T7630 Block Diagram (One of Two Channels) .....	14
Figure 2. T7630 Block Diagram: Receive Section (One of Two Channels) .....	16
Figure 3. T7630 Block Diagram: Transmit Section (One of Two Channels) .....	17
Figure 4. Pin Assignment .....	18
Figure 5. Block Diagram of Line Interface Unit: Single Channel .....	25
Figure 6. T1/DS1 Receiver Jitter Accommodation Without Jitter Attenuator .....	30
Figure 7. T1/DS1 Receiver Jitter Transfer Without Jitter Attenuator .....	30
Figure 8. CEPT/E1 Receiver Jitter Accommodation Without Jitter Attenuator .....	31
Figure 9. CEPT/E1 Receiver Jitter Transfer Without Jitter Attenuator .....	31
Figure 10. DSX-1 Isolated Pulse Template .....	34
Figure 11. ITU-T G.703 Pulse Template .....	36
Figure 12. T1/DS1 Receiver Jitter Accommodation with Jitter Attenuator .....	39
Figure 13. T1/DS1 Jitter Transfer of the Jitter Attenuator .....	39
Figure 14. CEPT/E1 Receiver Jitter Accommodation with Jitter Attenuator .....	40
Figure 15. CEPT/E1 Jitter Transfer of the Jitter Attenuator .....	40
Figure 16. Line Termination Circuitry .....	43
Figure 17. T7630 Line Interface Unit Approximate Equivalent Analog I/O Circuits .....	45
Figure 18. Block Diagram of Framer Line Interface .....	46
Figure 19. Transmit Framer TLCK to TND, TPD and Receive Framer RND, RPD to RLCK Timing .....	47
Figure 20. T1 Frame Structure .....	50
Figure 21. T1 Transparent Frame Structure .....	51
Figure 22. T7630 Facility Data Link Access Timing of the Transmit and Receive Framer Sections .....	53
Figure 23. Fs Pattern SLC-96 Superframe Format .....	53
Figure 24. ITU 2.048 Basic Frame, CRC-4 Multiframe, and Channel Associated Signaling Multiframe Structures .....	61
Figure 25. CEPT Transparent Frame Structure .....	62
Figure 26. Receive CRC-4 Multiframe Search Algorithm Using the 100 ms Internal Timer .....	67
Figure 27. Receive CRC-4 Multiframe Search Algorithm for Automatic, CRC-4/Non-CRC-4 Equipment Interworking as Defined by ITU (From ITU Rec. G.706, Annex B.2.2 - 1991) .....	69
Figure 28. Facility Data Link Access Timing of the Transmit and Receive Framer Sections in the CEPT Mode .....	73
Figure 29. Transmit and Receive Sa Stack Accessing Protocol .....	75
Figure 30. Timing Specification for RFRMCK, RFRMDATA, and RFS in DS1 Mode .....	78
Figure 31. Timing Specification for TFS, TLCK, and TPD in DS1 Mode .....	78
Figure 32. Timing Specification for RFRMCK, RFRMDATA, and RFS in CEPT Mode .....	79
Figure 33. Timing Specification for RFRMCK, RFRMDATA, RFS, and RSSFS in CEPT Mode .....	79
Figure 34. Timing Specification for RCRCMFS in CEPT Mode .....	80
Figure 35. Timing Specification for TFS, TLCK, and TPD in CEPT Mode .....	80
Figure 36. Timing Specification for TFS, TLCK, TPD, and TSSFS in CEPT Mode .....	80
Figure 37. Timing Specification for TFS, TLCK, TPD, and TCRCMFS in CEPT Mode .....	81

## Table of Contents (continued)

Figures	Page
Figure 38. Relation Between RLCK1 and Interrupt (Pin 99).....	81
Figure 39. Timing for Generation of LOPLLCK (Pin 39/143).....	83
Figure 40. The T and V Reference Points for a Typical CEPT E1 Application.....	85
Figure 41. Loopback and Test Transmission Modes.....	90
Figure 42. 20-Stage Shift Register Used to Generate the Quasi-Random Signal.....	91
Figure 43. 15-Stage Shift Register Used to Generate the Pseudorandom Signal .....	92
Figure 44. T7630 Facility Data Link Access Timing of the Transmit and Receive Framer Sections .....	97
Figure 45. Block Diagram for the Receive Facility Data Link Interface .....	98
Figure 46. Block Diagram for the Transmit Facility Data Link Interface.....	103
Figure 47. Local Loopback Mode .....	109
Figure 48. Remote Loopback Mode .....	109
Figure 49. T7630 Phase Detector Circuitry .....	111
Figure 50. Nominal Concentration Highway Interface Timing (for FRM_PR43 bit 0—bit 2 = 100 (Binary)) .....	115
Figure 51. CHIDTS Mode Concentration Highway Interface Timing .....	116
Figure 52. Associated Signaling Mode Concentration Highway Interface Timing .....	117
Figure 53. CHI Timing with ASM and CHIDTS Enabled.....	117
Figure 54. TCHIDATA and RCHIDATA to CHICK Relationship with CMS = 0 (CEX = 3 and CER = 4, Respectively) .....	118
Figure 55. Receive CHI (RCHIDATA) Timing.....	119
Figure 56. Transmit CHI (TCHIDATA) Timing.....	119
Figure 57. Block Diagram of the T7630's Boundary-Scan Test Logic .....	120
Figure 58. BS TAP Controller State Diagram.....	121
Figure 59. Mode 1—Read Cycle Timing (MPMODE = 0, MPMUX = 0) .....	130
Figure 60. Mode 1—Write Cycle Timing (MPMODE = 0, MPMUX = 0) .....	130
Figure 61. Mode 2—Read Cycle Timing (MPMODE = 0, MPMUX = 1) .....	131
Figure 62. Mode 2—Write Cycle Timing (MPMODE = 0, MPMUX = 1) .....	131
Figure 63. Mode 3—Read Cycle Timing (MPMODE = 1, MPMUX = 0) .....	132
Figure 64. Mode 3—Write Cycle Timing (MPMODE = 1, MPMUX = 0) .....	132
Figure 65. Mode 4—Read Cycle Timing (MPMODE = 1, MPMUX = 1) .....	133
Figure 66. Mode 4—Write Cycle Timing (MPMODE = 1, MPMUX = 1) .....	133

**Table of Contents** (continued)

<b>Table</b>	<b>Page</b>
Table 1. Pin Descriptions-Channel 1 and Channel 2.....	19
Table 2. Pin Descriptions-Global .....	23
Table 3. Digital Loss of Signal Standard Select.....	27
Table 4. LOSSD and RCVAIS Control Configurations (Not Valid During Loopback Modes) .....	27
Table 5. T1/DS1 LIU Receiver Specifications.....	28
Table 6. CEPT LIU Receiver Specifications .....	29
Table 7. Transmit Line Interface Short-Haul Equalizer/Rate Control .....	32
Table 8. DSX-1 Pulse Template Corner Points (from CB119, T1.102) .....	35
Table 9. DS1 Transmitter Specifications .....	35
Table 10. CEPT Transmitter Specifications .....	37
Table 11. Loopback Control.....	41
Table 12. SYSCK (16x, CKSEL = 1) Timing Specifications.....	42
Table 13. SYSCK (1x, CKSEL = 0) Timing Specifications.....	42
Table 14. Termination Components by Application.....	44
Table 15. AMI Encoding .....	48
Table 16. DS1 ZCS Encoding.....	48
Table 17. DS1 B8ZS Encoding.....	49
Table 18. ITU HDB3 Coding .....	49
Table 19. T-Carrier Hierarchy.....	49
Table 20. D4 Superframe Format .....	52
Table 21. DDS Channel-24 Format .....	52
Table 22. SLC-96 Data Link Block Format .....	54
Table 23. SLC-96 Line Switch Message Codes .....	55
Table 24. Transmit and Receive SLC-96 Stack Structure.....	55
Table 25. Extended Superframe (ESF) Structure.....	56
Table 26. T1 Loss of Frame Alignment Criteria .....	57
Table 27. T1 Frame Alignment Procedures .....	58
Table 28. Robbed-Bit Signaling Options.....	59
Table 29. SLC-96 9-State Signaling Format.....	59
Table 30. 16-State Signaling Format .....	60
Table 31. Allocation of Bits 1 to 8 of the FAS Frame and the NOT FAS Frame .....	62
Table 32. ITU CRC-4 Multiframe Structure.....	64
Table 33. ITU CEPT Time Slot 16 Channel Associated Signaling Multiframe Structure .....	70
Table 34. Transmit and Receive Sa Stack Structure.....	74
Table 35. Associated Signaling Mode CHI 2-Byte Time-Slot Format for DS1 Frames .....	77
Table 36. Associated Signaling Mode CHI 2-Byte Time-Slot Format for Stuffed Channels.....	77
Table 37. Associated Signaling Mode CHI 2-Byte Time-Slot Format for CEPT .....	77
Table 38. Red Alarm or Loss of Frame Alignment Conditions.....	82
Table 39. Remote Frame Alarm Conditions.....	82
Table 40. Alarm Indication Signal Conditions .....	82
Table 41. Sa6 Bit Coding Recognized by the Receive Framer-Asynchronous Bit Stream .....	84
Table 42. Sa6 Bit Coding Recognized by the Receive Framer-Synchronous Bit Stream .....	85
Table 43. AUXP Synchronization and Clear Synchronization Process .....	85
Table 44. Event Counters Definition .....	86
Table 45. Summary of the Deactivation of SSTSLLB and SSTSLLB Modes as a Function of Activating the Primary Loopback Modes .....	89
Table 46. Register FRM_PR69 Test Patterns.....	92
Table 47. Register FRM_PR70 Test Patterns.....	93
Table 48. Automatic Enable Commands .....	95
Table 49. On-Demand Commands.....	96

## Table of Contents (continued)

Table	Page
Table 50. Receive ANSI Code .....	99
Table 51. Performance Report Message Structure.....	99
Table 52. FDL Performance Report Message Field Definition.....	100
Table 53. Octet Contents and Definition .....	100
Table 54. Receive Status of Frame Byte.....	101
Table 55. HDLC Frame Format.....	104
Table 56. Receiver Operation in Transparent Mode.....	108
Table 57. Summary of the T7630's Concentration Highway Interface Parameters .....	113
Table 58. Programming Values for TOFF[2:0] and ROFF[2:0] when CMS = 0 .....	118
Table 59. TAP Controller States in the Data Register Branch.....	122
Table 60. TAP Controller States in the Instruction Register Branch.....	122
Table 61. T7630's Boundary-Scan Instructions .....	123
Table 62. IDCODE Register .....	124
Table 63. Microprocessor Configuration Modes .....	125
Table 64. Mode [1—4] Microprocessor Pin Definitions .....	126
Table 65. Microprocessor Input Clock Specifications .....	127
Table 66. T7630 Register Address Map .....	127
Table 67. Microprocessor Interface I/O Timing Specifications .....	128
Table 68. Register Summary .....	135
Table 69. Global Register Set (0x000—0x008) .....	139
Table 70. Primary Block Interrupt Status Register (GREG0) (000) .....	140
Table 71. Primary Block Interrupt Enable Register (GREG1) (001) .....	140
Table 72. Global Loopback Control Register (GREG2) (002) .....	141
Table 73. Global Loopback Control Register (GREG3) (003) .....	141
Table 74. Global Control Register (GREG4) (004) .....	142
Table 75. Device ID and Version Registers (GREG5—GREG7) (005—007) .....	142
Table 76. Line Interface Units Register Set* ((400—40F); (A00—A0F)).....	143
Table 77. LIU Alarm Status Register (LIU_REG0) (400, A00).....	144
Table 78. LIU Alarm Interrupt Enable Register (LIU_REG1) (401, A01) .....	144
Table 79. LIU Control Register (LIU_REG2) (402, A02) .....	145
Table 80. LIU Control Register (LIU_REG3) (403, A03) .....	145
Table 81. LOSSD and RCVAIS Control Configurations (Not Valid During Loopback Modes) (from Table 3) .....	146
Table 82. LIU Register (LIU_REG4) (404, A04).....	146
Table 83. LIU Configuration Register (LIU_REG5) (405, A05) .....	147
Table 84. Loopback Control .....	147
Table 85. LIU Configuration Register (LIU_REG6) (406, A06) .....	147
Table 86. Transmit Line Interface Short-Haul Equalizer/Rate Control (from Table 6).....	148
Table 87. Framer Status and Control Blocks Address Range (Hexadecimal).....	148
Table 88. Interrupt Status Register (FRM_SR0) (600; C00) .....	149
Table 89. Facility Alarm Condition Register (FRM_SR1) (601; C01) .....	150
Table 90. Remote End Alarm Register (FRM_SR2) (602; C02) .....	151
Table 91. Facility Errored Event Register-1 (FRM_SR3) (603; C03) .....	152
Table 92. Facility Event Register-2 (FRM_SR4) (604; C04) .....	153
Table 93. Exchange Termination and Exchange Termination Remote End Interface Status Register (FRM_SR5) (605; C05) .....	154
Table 94. Network Termination and Network Termination Remote End Interface Status Register (FRM_SR6) (606; C06) .....	155
Table 95. Facility Event Register (FRM_SR7) (607; C07) .....	156
Table 96. Bipolar Violation Counter Registers (FRM_SR8—FRM_SR9) ((608—609); (C08—C09)) .....	156
Table 97. Framing Bit Error Counter Registers (FRM_SR10—FRM_SR11) ((60A—60B); (C0A—C0B)) .....	156



Table of Contents (continued)

Table	Page
Table 98. CRC Error Counter Registers (FRM_SR12—FRM_SR13) ((60C—60D); (C0C—C0D)).....	157
Table 99. E-Bit Counter Registers (FRM_SR14—FRM_SR15) ((60E—60F); (C0E—C0F)).....	157
Table 100. CRC-4 Errors at NT1 from NT2 Counter Registers (FRM_SR16—FRM_SR17) ((610—611); (C10—C11)) .....	157
Table 101. E Bit at NT1 from NT2 Counter (FRM_SR18—FRM_SR19) ((612—613); (C12—C13)) .....	157
Table 102. ET Errored Seconds Counter (FRM_SR20—FRM_SR21) ((614—615); (C14—C15)) .....	158
Table 103. ET Bursty Errored Seconds Counter (FRM_SR22—FRM_SR23) ((616—617); (C16—C17)) .....	158
Table 104. ET Severely Errored Seconds Counter (FRM_SR24—FRM_SR25) ((618—619); (C18—C19)).....	158
Table 105. ET Unavailable Seconds Counter (FRM_SR26—FRM_SR27) ((61A—61B); (C1A—C1B)) .....	158
Table 106. ET-RE Errored Seconds Counter (FRM_SR28—FRM_SR29) ((61C—61D); (C1C—C1D)) .....	158
Table 107. ET-RE Bursty Errored Seconds Counter (FRM_SR30—FRM_SR31) ((61E—61F); (C1E—C1F)) ....	158
Table 108. ET-RE Severely Errored Seconds Counter (FRM_SR32—FRM_SR33) ((620—621); (C20—C21))..	158
Table 109. ET-RE Unavailable Seconds Counter (FRM_SR34—FRM_SR35) ((622—623); (C22—C23)) .....	159
Table 110. NT1 Errored Seconds Counter (FRM_SR36—FRM_SR37) ((624—625); (C24—C25)) .....	159
Table 111. NT1 Bursty Errored Seconds Counter (FRM_SR38—FRM_SR39) ((626—627); (C26—C27)) .....	159
Table 112. NT1 Severely Errored Seconds Counter (FRM_SR40—FRM_SR41) ((628—629); (C28—C29)) ....	159
Table 113. NT1 Unavailable Seconds Counter (FRM_SR42—FRM_SR43) ((62A—62B); (C2A—C2B)) .....	159
Table 114. NT1-RE Errored Seconds Counter (FRM_SR44—FRM_SR45) ((62C—62D); (C2C—C2D)).....	159
Table 115. NT1-RE Bursty Errored Seconds Counter (FRM_SR46—FRM_SR47) ((62E—62F); (C2E—C2F))..	159
Table 116. NT1-RE Severely Errored Seconds Counter (FRM_SR48—FRM_SR49) ((630—631); (C30—C31)) .....	160
Table 117. NT1-RE Unavailable Seconds Counter (FRM_SR50—FRM_SR51) ((632—633); (C32—C33)) .....	160
Table 118. Receive NOT-FAS TS0 Register (FRM_SR52) (634; C34) .....	160
Table 119. Receive Sa Register (FRM_SR53) (635; C35) .....	160
Table 120. SLC-96 FDL Receive Stack (FRM_SR54—FRM_SR63) ((636—63F); (C36—C3F)) .....	161
Table 121. CEPT Sa Receive Stack (FRM_SR54—FRM_SR63) ((636—63F); (C36—C3F)) .....	161
Table 122. Transmit Framer ANSI Performance Report Message Status Register Structure .....	162
Table 123. Received Signaling Registers: DS1 Format (FRM_RSR0—FRM_RSR23) ((640—658); (C40—C58)) .....	162
Table 124. Receive Signaling Registers: CEPT Format (FRM_RSR0—FRM_RSR31) ((640—65F); (C40—C5F)) .....	162
Table 125. Summary of Interrupt Group Enable Registers (FRM_PR0—FRM_PR7) ((660—667); (C60—C67)) .....	163
Table 126. Primary Interrupt Group Enable Register (FRM_PR0) (660; C60) .....	164
Table 127. Interrupt Enable Register (FRM_PR1) (661; C61).....	165
Table 128. Interrupt Enable Register (FRM_PR2) (662; C62).....	165
Table 129. Interrupt Enable Register (FRM_PR3) (663; C63).....	165
Table 130. Interrupt Enable Register (FRM_PR4) (664; C64).....	165
Table 131. Interrupt Enable Register (FRM_PR5) (665; C65).....	165
Table 132. Interrupt Enable Register (FRM_PR6) (666; C66).....	165
Table 133. Interrupt Enable Register (FRM_PR7) (667; C67).....	165
Table 134. Framer Mode Bits Decoding (FRM_PR8) (668; C68) .....	166
Table 135. Line Code Option Bits Decoding (FRM_PR8) (668; C68) .....	166
Table 136. CRC Option Bits Decoding (FRM_PR9) (669; C69) .....	167
Table 137. Alarm Filter Register (FRM_PR10) (66A; C6A).....	167
Table 138. Errored Event Threshold Definition.....	168
Table 139. Errored Second Threshold Register (FRM_PR11) (66B; C6B) .....	168
Table 140. Severely Errored Second Threshold Registers (FRM_PR12—FRM_PR13) ((66C—66D); (C6C—C6D)) .....	168
Table 141. ET1 Errored Event Enable Register (FRM_PR14) (66E; C6E).....	169

## Table of Contents (continued)

Table	Page
Table 142. ET1 Remote End Errored Event Enable Register (FRM_PR15) (66F; C6F) .....	169
Table 143. NT1 Errored Event Enable Register (FRM_PR16) (670; C70).....	169
Table 144. NT1 Remote End Errored Event Enable Registers (FRM_PR17—FRM_PR18) ((671—672);(C71—C72)).....	169
Table 145. Automatic AIS to the System and Automatic Loopback Enable Register (FRM_PR19) (673; C73) ..	170
Table 146. Transmit Test Pattern to the Line Enable Register (FRM_PR20) (674; C74) .....	170
Table 147. Framer FDL Control Command Register (FRM_PR21) (675; C75) .....	171
Table 148. Framer Transmit Line Idle Code Register (FRM_PR22) (676; C76).....	171
Table 149. Framer System Stuffed Time-Slot Code Register (FRM_PR23) (677; C77) .....	171
Table 150. Primary Time-Slot Loopback Address Register (FRM_PR24) (678; C78).....	172
Table 151. Loopback Decoding of Bits LBC[2:0] in FRM_PR24, Bits 7—5 .....	172
Table 152. Secondary Time-Slot Loopback Address Register (FRM_PR25) (679; C79) .....	173
Table 153. Loopback Decoding of Bits LBC[1:0] in FRM_PR25, Bits 6—5 .....	173
Table 154. Framer Reset and Transparent Mode Control Register (FRM_PR26) (67A, C7A).....	174
Table 155. Transmission of Remote Frame Alarm and CEPT Automatic Transmission of A Bit = 1 Control Register (FRM_PR27) (67B, C7B).....	175
Table 156. CEPT Automatic Transmission of E Bit = 0 Control Register (FRM_PR28) (67C; C7C).....	176
Table 157. Sa4—Sa8 Source Register (FRM_PR29) (67D; C7D).....	177
Table 158. Sa Bits Source Control for Bit 5—Bit 7 in FRM_PR29 .....	177
Table 159. Sa4—Sa8 Control Register (FRM_PR30) (67E; C7E).....	178
Table 160. Sa Transmit Stack (FRM_PR31—FRM_PR40) ((67F—688); (C7F—C88)).....	178
Table 161. SLC-96 Transmit Stack (FRM_PR31—FRM_PR40) ((67F—688); (C7F—C88)) .....	179
Table 162. Transmit SLC-96 FDL Format .....	179
Table 163. CEPT Time Slot 16 X-Bit Remote Multiframe Alarm and AIS Control Register (FRM_PR41)(689; C89) .....	179
Table 164. Framer Exercise Register (FRM_PR42) (68A; C8A).....	180
Table 165. Framer Exercises, FRM_PR42 Bit 5—Bit 0 (68A; C8A).....	180
Table 166. DS1 System Interface Control and CEPT FDL Source Control Register (FRM_PR43) (68B; C8B) ..	181
Table 167. Signaling Mode Register (FRM_PR44) (68C; C8C).....	182
Table 168. CHI Common Control Register (FRM_PR45) (68D; C8D) .....	183
Table 169. CHI Common Control Register (FRM_PR46) (68E; C8E) .....	184
Table 170. CHI Transmit Control Register (FRM_PR47) (68F; C8F).....	184
Table 171. CHI Receive Control Register (FRM_PR48) (690; C90).....	184
Table 172. CHI Transmit Time-Slot Enable Registers (FRM_PR49—FRM_PR52) ((691—694); (C91—C94))...	185
Table 173. CHI Receive Time-Slot Enable Registers (FRM_PR53—FRM_PR56) ((695—698); (C95—C98)) ...	185
Table 174. CHI Transmit Highway Select Registers (FRM_PR57—FRM_PR60) ((699—69C); (C99—C9C)) ....	185
Table 175. CHI Receive Highway Select Registers (FRM_PR61—FRM_PR64) ((69D—6A0); (C9D—CA0)) ....	186
Table 176. CHI Transmit Control Register (FRM_PR65) (6A1; CA1).....	186
Table 177. CHI Receive Control Register (FRM_PR66) (6A2; CA2) .....	186
Table 178. Auxiliary Pattern Generator Control Register (FRM_PR69) (6A5; CA5).....	187
Table 179. Pattern Detector Control Register (FRM_PR70) (6A6; CA6) .....	188
Table 180. Transmit Signaling Registers: DS1 Format (FRM_TSR0—FRM_TSR23) ((6E0—6F7); (CE0—CF7)) .....	189
Table 181. Transmit Signaling Registers: CEPT Format (FRM_TSR0—FRM_TSR31) ((6E0—6FF); (CE0—CFF)).....	189
Table 182. FDL Register Set (800—80E); (E00—E0E) .....	190
Table 183. FDL Configuration Control Register (FDL_PR0) (800; E00) .....	191
Table 184. FDL Control Register (FDL_PR1) (801; E01) .....	191
Table 185. FDL Interrupt Mask Control Register (FDL_PR2) (802; E02) .....	192
Table 186. FDL Transmitter Configuration Control Register (FDL_PR3) (803; E03) .....	193

**Table of Contents** (continued)

<b>Table</b>	<b>Page</b>
Table 187. FDL Transmitter FIFO Register (FDL_PR4) (804; E04).....	193
Table 188. FDL Transmitter Idle Character Register (FDL_PR5) (805; E05) .....	193
Table 189. FDL Receiver Interrupt Level Control Register (FDL_PR6) (806; E06) .....	194
Table 190. FDL Register FDL_PR7 .....	194
Table 191. FDL Receiver Match Character Register (FDL_PR8) (808; E08) .....	194
Table 192. FDL Transparent Control Register (FDL_PR9) (809; E09) .....	195
Table 193. FDL Transmit ANS/ESF Bit Codes (FDL_PR10) (80A; E0A).....	195
Table 194. FDL Interrupt Status Register (Clear on Read) (FDL_SR0) (80B; E0B).....	196
Table 195. FDL Transmitter Status Register (FDL_SR1) (80C; E0C).....	197
Table 196. FDL Receiver Status Register (FDL_SR2) (80D; E0D) .....	197
Table 197. Receive ANS/ FDL Status Register (FDL_SR3) (80E; E0E) .....	197
Table 198. FDL Receiver FIFO Register (FDL_SR4) (807; E07) .....	197
Table 199. Global Register Set.....	198
Table 200. Line Interface Unit Register Set .....	198
Table 201. Framing Unit Status Register Map .....	199
Table 202. Receive Signaling Registers Map .....	201
Table 203. Framing Unit Parameter Register Map .....	202
Table 204. Transmit Signaling Registers Map .....	205
Table 205. Facility Data Link Register Map .....	206
Table 206. ESD Threshold Voltage.....	207
Table 207. Logic Interface Characteristics (TA = -40 °C to +85 °C, VDD = 5.0 V ± 5%, VSS = 0).....	208

## Feature Descriptions

- Two independent T1/E1 channels each consisting of a T1/E1 short-haul line interface and a T1/E1 framer with HDLC formatting on the facility data link interface.
- Memory-mapped read and write registers.
- Maskable interrupt events.
- Hardware and software resets.
- Onboard software-selectable pseudorandom test pattern generator and detector for line performance monitoring.
- 3-state outputs.
- Single 5 V  $\pm$  5% supply.
- Low power consumption: 750 mW max.

## T1/E1 Line Interface Features

- Transmitter includes transmit encoder (B8ZS or HDB3), pulse shaping, and line driver.
- Five pulse equalization settings for template compliance at DSX cross connect.
- Receive includes equalization, digital clock and data recovery (immune to false lock), and receive decoder.
- CEPT/E1 interference immunity as required by G.703.
- Transmit jitter <0.02 UI.
- Receive generated jitter <0.05 UI.
- Jitter attenuator selectable for use in transmit or receive path. Jitter attenuation characteristics are data pattern independent.
- For use with 100  $\Omega$  DS1 twisted-pair, 120  $\Omega$  E1 twisted-pair, and 75  $\Omega$  E1 coaxial cable.
- Common transformer for transmit/receive.
- Analog LOS alarm for signals less than -18 dB for greater than 1 ms or 10-bit to 255-bit symbol periods (selectable).
- Digital LOS alarm for 100 zeros (DS1) or 255 zeros (E1).
- Diagnostic loopback modes.

- Compliant with AT&T CB119(10/79); ITU G.703(88), G.732(88), G.735-9(88), G.823-4(3/93), I.431(3/93); ANS/T1.102(93), T1.408(90); ETSI, ETS-300-166(8/93), TBR12(12/93, 1/96), TBR13(1/96); TR-TSY-000009(5/86), TSY-000170(1/93), GR-253-CORE(12/95), GR-499-CORE(12/95), GR-820-CORE(11/94), GR-1244-CORE(6/95).

## T1/E1 Framer Features

- Framing formats:
  - Compliant with T1 standards ANS/T1.231 (1993), AT&T TR54016, AT&T TR62411 (1998).
  - Unframed, transparent transmission in T1 and E1 formats.
  - DS1 extended superframe (ESF).
  - DS1 superframe (SF): D4; SLC-96; T1DM DDS; T1DM DDS with FDL access.
  - DS1 independent transmit and receive framing modes when using the ESF and D4 formats.
  - Compliant with ITU CEPT framing recommendation:
    1. G.704 and G.706 basic frame format.
    2. G.704 Section 2.3.3.4 and G.706 Section 4.2: CRC-4 multiframe search algorithm.
    3. G.706 Annex B: CRC-4 multiframe search algorithm with 400 ms timer for interworking of CRC-4 and non-CRC-4 equipment.
    4. G.706 Section 4.3.2 Note 2: monitoring of 915 CRC-4 checksum errors for loss of frame state.
- Framer line codes:
  - DS1: alternate mark inversion (AMI); binary eight zero code suppression (B8ZS); per-channel zero code suppression; decoding bipolar violation monitor; monitoring of eight or fifteen bit intervals without positive or negative pulses error indication.
  - DS1 independent transmit and receive path line code formats when using AMI/ZCS and B8ZS coding.
  - ITU-CEPT: AMI; high-density bipolar 3 (HDB3) encoding and decoding bipolar violation monitoring, monitoring of four bit intervals without positive or negative pulses error indication.
  - Single-rail option.

## Feature Descriptions (continued)

- Signaling:
  - DS1: extended superframe 2-state, 4-state, and 16-state per-channel robbed bit.
  - DS1: D4 superframe 2-state and 4-state per-channel robbed bit.
  - DS1: *SLC-96* superframe 2-state, 4-state, 9-state, and 16-state per-channel robbed bit.
  - DS1: channel-24 message-oriented signaling.
  - ITU CEPT: channel associated signaling (CAS).
  - Transparent (all data channels).
- Alarm reporting, performance monitoring, and maintenance:
  - *ANSI T1.403-1995*, *AT&T TR 54016*, and *ITU G.826* standard error checking.
  - Error and status counters.
  - Bipolar violations.
  - Errored frame alignment signals.
  - Errored CRC checksum block.
  - CEPT: received E bit = 0.
  - Errored, severely errored, and unavailable seconds.
  - Selectable errored event monitoring for errored and severely errored seconds processing with programmable thresholds for errored and severely errored second monitoring.
  - CEPT: Selectable automatic transmission of E bit to the line.
  - CEPT: Sa6 coded remote end CRC-4 error E bit = 0 events.
  - Programmable automatic and on-demand alarm transmission.
    1. Automatic transmission of remote frame alarm to the line while in loss of frame alignment state.
    2. Automatic transmission of alarm indication signal (AIS) to the system while in loss of frame alignment state.
  - Multiple loopback modes.
  - Optional automatic line and payload loopback activate and deactivate modes.
  - CEPT nailed-up connect loopback and CEPT nailed-up broadcast transmission TS-X in TS-0 transmit mode.
  - Selectable test patterns for line transmission.
  - Detection of framed and unframed pseudorandom and quasi-random test patterns.
  - Programmable squelch and idle codes.
- System interface:
  - Autonomous transmit and receive system inter-

- faces.
  - Independent transmit and receive frame synchronization input signals.
  - Independent transmit and receive system interface clock.
  - 2.048 Mbits/s, 2.048 MHz concentration highway interface (CHI) default mode.
  - Optional 4.096 Mbits/s and 8.192 Mbits/s data rates.
  - Optional 4.096 MHz, 8.192 MHz, and 16.384 MHz frequency system clock.
  - Programmable clock edge for latching frame synchronization signals.
  - Programmable clock edge for latching transmit and receive data.
  - Programmable bit and byte offset.
  - Programmable CHI master mode for the generation of the transmit CHI FS from internal logic with timing derived from the receive line clock signal.
- Digital phase comparator for clock generation in the receive and transmit paths.

## Facility Data Link Features

- HDLC or transparent mode.
- Automatic transmission of the ESF performance report messages (PRM).
- Detection of the ESF PRM.
- Detection of the *ANSI* ESF FDL bit-oriented codes.
- 64-byte FIFO in both transmit and receive directions.
- Programmable FIFO full- and empty-level interrupt.
- *SLC-96*: FDL transmit and receive register access of D bits.

## User-Programmable Microprocessor Interface

- 33 MHz read and write access with no wait-states.
- 12-bit address, 8-bit data interface.
- Programmable *Intel* or *Motorola* interface modes.
- Demultiplexed or multiplexed address and data bus.
- Directly addressable internal registers.
- No clock required.

Functional Description

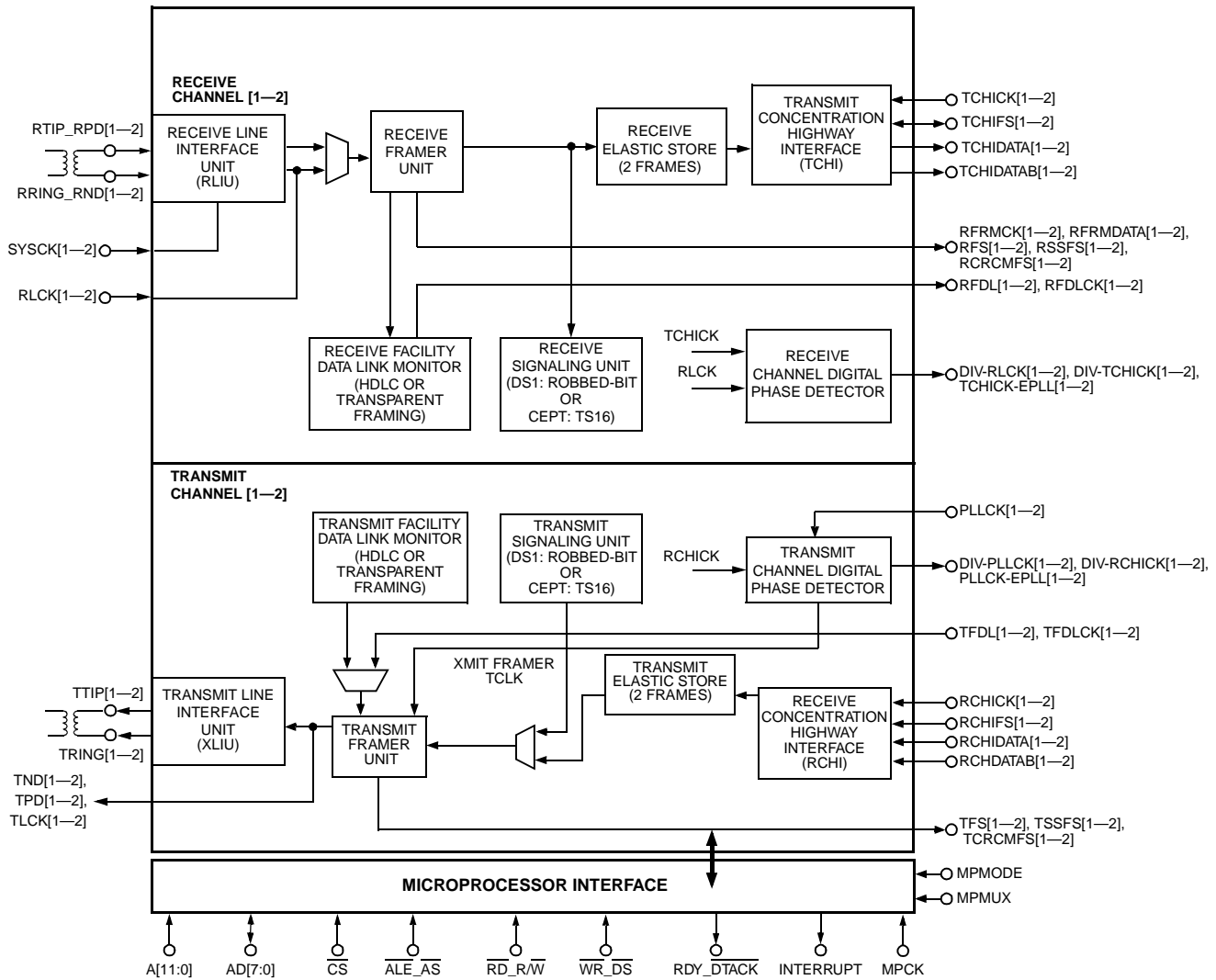


Figure 1. T7630 Block Diagram (One of Two Channels)

5-4512(F).cr.2

## Functional Description (continued)

The Lucent T7630 Dual T1/E1 Terminator (Terminator-II) provides two complete T1/E1 interfaces each consisting of a fully integrated, full-featured, short-haul line interface transceiver and a full-featured primary rate framer with an HDLC formatter for facility data link access. The T7630 provides glueless interconnection from a T1 or E1 analog line interface to devices interfacing to its CHI; for example, the T7270 Time-Slot Interchanger or T7115A Synchronous Protocol Data Formatter.

The line interface receiver performs clock and data recovery using a digital phase-locked loop, thereby avoiding false lock conditions that are common when recovering sparse data patterns with an analog implementation. The receiver's equalization circuit guarantees a high level of interference immunity. The receive line unit monitors the amplitude at the receive input for analog loss of signal (ALOS) detection and the pulse density of the receive signal for digital loss of signal (DLOS) detection. The receive line unit may be programmed to detect bipolar violations. The line interface unit may be optionally bypassed. It is recommended that the LIU/framer interface be placed in dual-rail mode, which allows the framers error/event detector to detect and report code and bipolar violation (BPV) errors.

The line interface unit's transmit equalization is done with low-impedance output drivers that provide shaped waveforms to the transformer, guaranteeing template conformance. The transmitter will interface to the digital cross connect (DSX) at lengths up to 655 feet for DS1 operation, and line impedances of 75  $\Omega$  or 120  $\Omega$  for CEPT-E1 operation. The transmit line unit monitors nonfunctional links due to faults at the primary of the transmit transformer and periods of no data transmission.

The line codes supported in the framer unit include AMI, T1 B8ZS, per-channel T1 zero code suppression and ITU-CEPT HDB3.

The T7630 supports T1 D4, T1DM, and SLC-96 SF, ESF; ITU-CEPT-E1 basic frame; ITU-CEPT-E1 time slot 0 multiframe; and time slot 16 multiframe formats.

The receive framer monitors the following alarms: loss of receive clock, loss of frame, alarm indication signal (AIS), remote frame alarms, and remote multiframe alarms. These alarms are detected as defined by the appropriate ANSI, AT&T, and ITU standards.

Performance monitoring as specified by AT&T, ANSI, and ITU is provided through counters monitoring bipolar violation, frame bit errors, CRC errors, CEPT E bit =

0 conditions, CEPT Sa6 codes, errored events, errored seconds, bursty errored seconds, severely errored seconds, and unavailable seconds.

In-band loopback activation and deactivation codes can be transmitted to the line via the payload or the facility data link. In-band loopback activation and deactivation codes in the payload or the facility data link are detected.

System, payload, and line loopbacks are programmable.

The default system interface is a 2.048 Mbits/s data and 2.048 MHz clock CHI serial bus. This CHI interface consists of independent transmit and receive paths. The CHI interface can be reconfigured into several modes: a 2.048 Mbits/s data interface and 4.096 MHz clock interface, a 4.096 Mbits/s data interface and 4.096 MHz clock interface, a 4.096 Mbits/s data interface and 8.192 MHz clock interface, a 8.192 Mbits/s data interface and 8.192 MHz clock interface, and 8.192 Mbits/s data interface and 16.384 MHz clock interface.

The signaling formats supported are T1 per-channel robbed-bit signaling (RBS), channel-24 message-oriented signaling (MOS), and ITU-CEPT-E1 channel-associated signaling (CAS). In the T1, RBS mode voice and data channels are programmable. The entire payload can be programmed into a data-only (no signaling channels) mode, i.e., transparent mode. Signaling access can be through the on-chip signaling registers or the system CHI port in the associated signaling mode. Data and its associated signaling information can be accessed through the CHI in either DS1 or CEPT-E1 modes.

Extraction and insertion of the facility data link in ESF, T1DM, SLC-96, or CEPT-E1 modes are provided through a four-port serial interface or through a microprocessor-accessed, 64-byte FIFO either with HDLC formatting or transparently. In the T7630's SLC-96 or CEPT-E1 frame formats, a facility data link (FDL) is provided for FDL access. The bit-oriented ESF data-link messages defined in ANSI T1.403-1995 are monitored by the receive framer's facility data link unit and are transmitted by the transmit framer FDL.

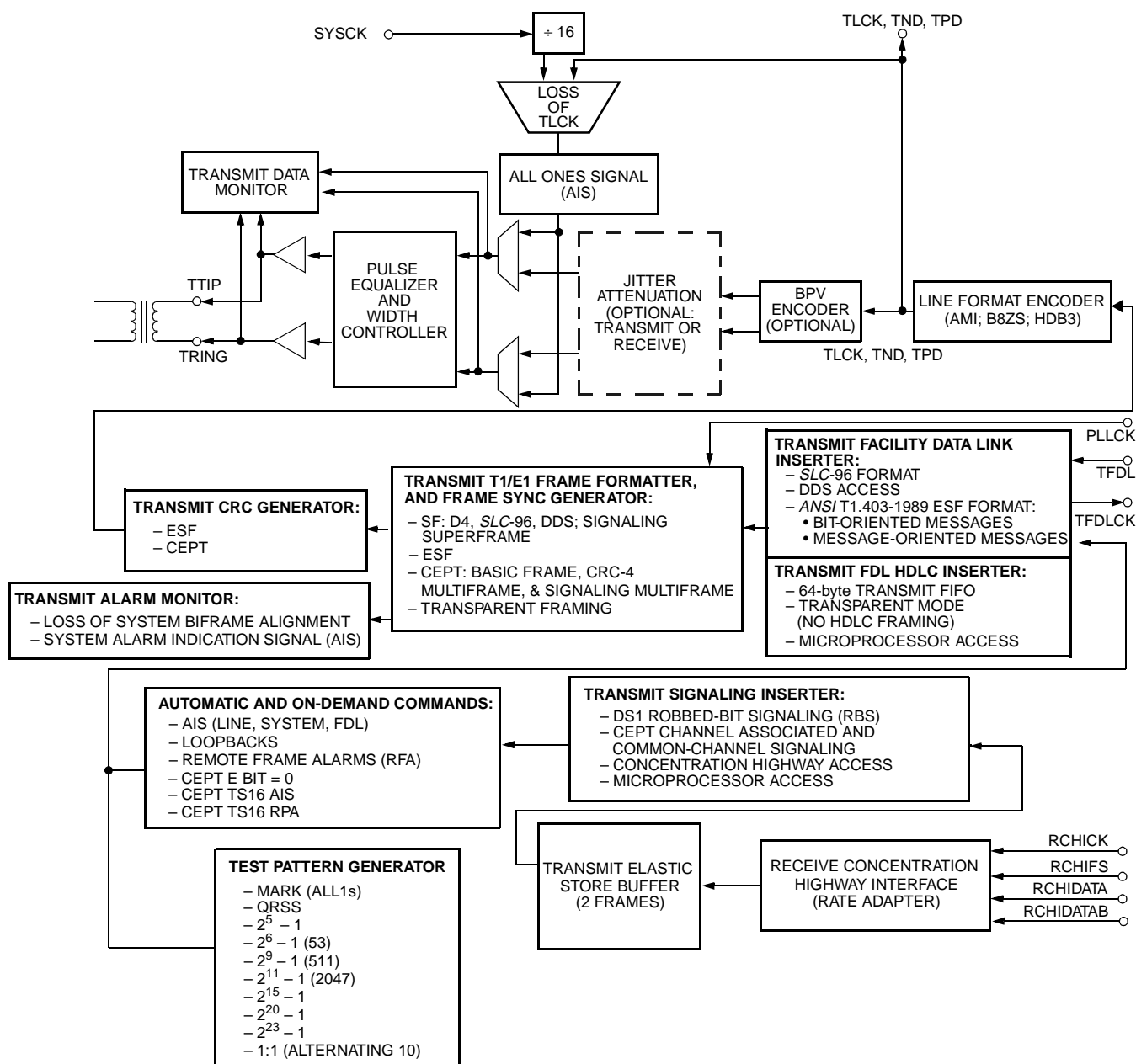
The receive framer includes a two-frame elastic store buffer for jitter attenuations that performs control slips and provides indication of slip directions.

Accessing internal registers is done via the demultiplexed/multiplexed address and data bus microprocessor interface using either the Intel 80188 (or 80X88) interface protocol with independent read and write signals or the Motorola MC680X0 or M68360 interface protocol with address and data strobe signals.





Functional Description (continued)

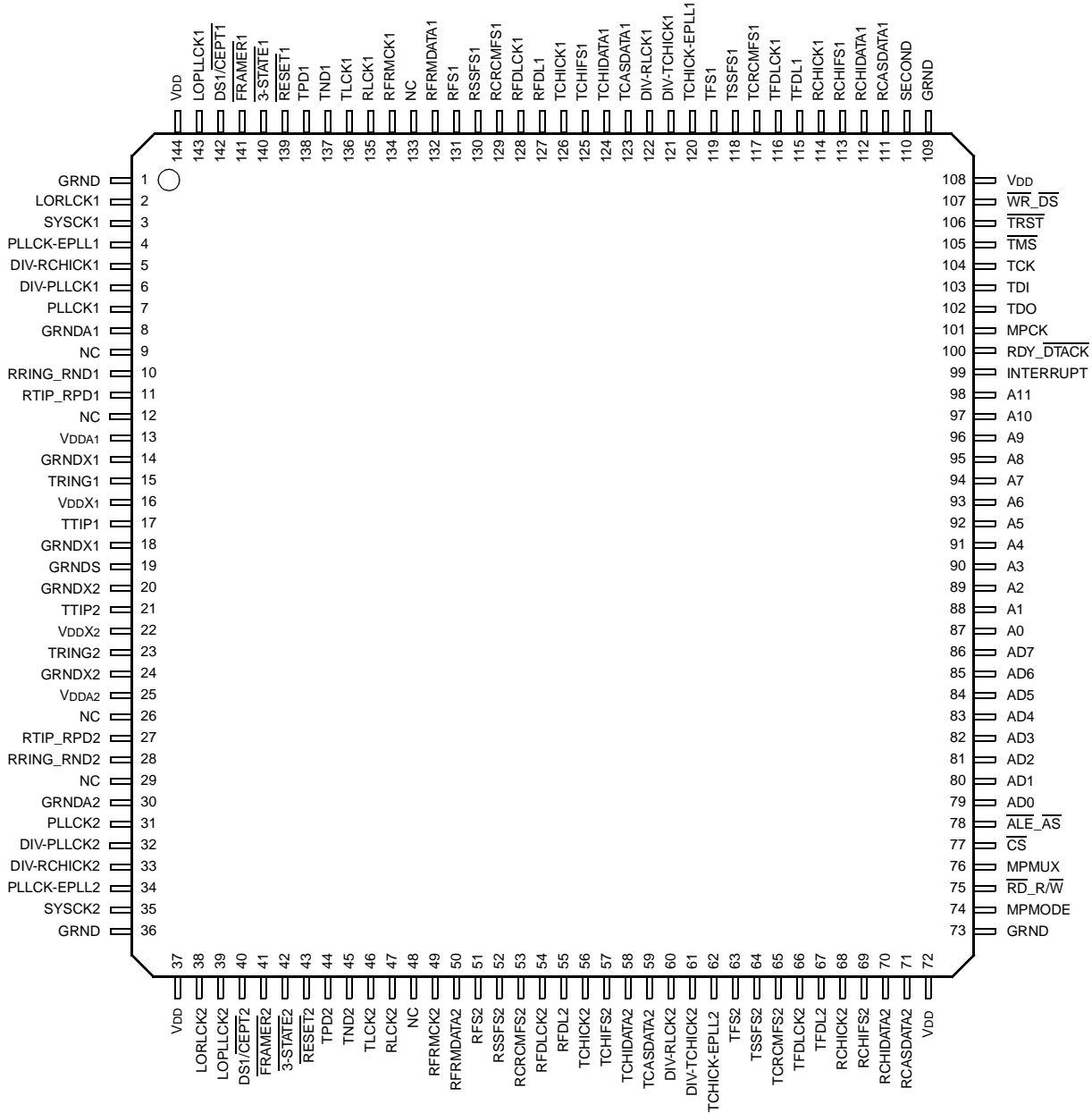


5-4514(F).d

Figure 3. T7630 Block Diagram: Transmit Section (One of Two Channels)

Pin Information

The package type and pin assignment for the T7630 (Terminator-II) is illustrated in Figure 4.



5-4712(F).cr.2

Figure 4. Pin Assignment

**Pin Information** (continued)

Table 1 and Table 2 show the list of T7630 pins and a functional description for each.

**Table 1. Pin Descriptions-Channel 1 and Channel 2**

Pin		Symbol	Type*	Description
CH1	CH2			
1, 36, 73, 109		GRND	P	<b>Digital Ground Reference.</b>
2	38	LOFRMRLCK	O	<b>Loss of Framer Receive Line Clock.</b> This pin is asserted high (1) when the framer internal receive line clock does not toggle for a 250 $\mu$ s interval. Once asserted, this signal is deasserted on the first edge of the framer internal receive line clock. Terminator Mode: ( $\overline{\text{FRAMER}}$ , pin 41/141 = 1) LOFRMRLCK is asserted high when SYSCK clock, pin 3/35, is absent. Framer Mode: ( $\overline{\text{FRAMER}}$ , pin 41/141 = 0) LOFRMRLCK is asserted high when RLCK clock, pin 47/135, is absent.
3	35	SYSCK	I <sup>u</sup>	<b>LIU System Clock.</b> The clock signal used for clock and data recovery and jitter attenuation. This clock must be ungapped and free of jitter. For CKSEL = 1, a 16x clock (for DS1, SYSCK = 24.704 MHz $\pm$ 100 ppm and for CEPT, SYSCK = 32.768 MHz $\pm$ 100 ppm). For CKSEL = 0, a 1x clock (for DS1, SYSCK = 1.544 MHz $\pm$ 100 ppm and for CEPT, SYSCK = 2.048 MHz $\pm$ 100 ppm).
4	34	PLLCK-EPLL	O	<b>Error Phase-Lock Loop Signal.</b> The error signal proportional to the phase difference between DIV-PLLCK and DIV-RCHICK as detected by the internal PLL circuitry (refer to the Phase-Lock Loop Circuit section).
5	33	DIV-RCHICK	O	<b>Divided-Down RCHI Clock.</b> 32 kHz or 8 kHz clock signal derived from the RCHICK input signal.
6	32	DIV-PLLCK	O	<b>Divided-Down PLLCK Clock.</b> 32 kHz or 8 kHz clock signal derived from the PLLCK input signal.
7	31	PLLCK	I	<b>Transmit Framer Phase-Locked Line Interface Clock.</b> Clock signal used to time the transmit framer. This signal must be phase-locked to RCHICK clock signal and be ungapped and free of jitter. For FRM_PR45, bit 0 (HFLF) = 0, in DS1 PLLCK = 1.544 MHz and in CEPT PLLCK = 2.048 MHz. For FRM_PR45, bit 0 (HFLF) = 1 in DS1 PLLCK = 6.176 MHz and in CEPT PLLCK = 8.192 MHz.
8	30	GRNDA	P	<b>Analog Ground Reference.</b>
9, 12, 19, 26, 29		NC	—	<b>No Connection.</b>
10	28	RRING_RND	I	<b>Receive Bipolar Ring.</b> Negative bipolar input data from the receive analog line isolation transformer. <b>Receive Negative Rail Data.</b> Valid when the $\overline{\text{FRAMER}}$ pin is strapped to 0 V. Nonreturn-to-zero (NRZ) serial data latched by the rising edge of RLCK. Data rates: DS1-1.544 Mbits/s; CEPT-2.048 Mbits/s. In the single-rail mode, when RND = 1 the receive bipolar violation counter increments once for each rising edge of RLCK.

\* I<sup>u</sup> indicates an internal pull-up.

† After RESET is deasserted, the channel is in the default framing mode, as a function of the DS1/ $\overline{\text{CEPT}}$  pin.

‡ Asserting this pin low will initially force RDY to a low state.

## Pin Information (continued)

Table 1. Pin Descriptions-Channel 1 and Channel 2 (continued)

Pin		Symbol	Type*	Description
CH1	CH2			
11	27	RTIP_RPD	I	<b>Receive Bipolar Tip.</b> Positive bipolar input data from the receive analog line isolation transformer. <b>Receive Positive Rail Data.</b> Valid when the $\overline{\text{FRAMER}}$ pin is strapped to 0 V. NRZ serial data latched by the rising edge of RLCK. Data rates: DS1-1.544 Mbits/s; CEPT-2.048 Mbits/s. Optional single-rail NRZ receive data latched by the rising edge of RLCK.
13	25	VDDA	P	<b>Analog 5 V Power Supply. 5 V <math>\pm</math> 5%.</b>
14, 18	20, 24	GRNDX	P	<b>Transmit Line Driver Ground Reference.</b>
15	23	TRING	O	<b>Transmit Bipolar Ring.</b> Negative bipolar output data to the transmit analog isolation transformer.
16	22	VDDX	P	<b>Transmit Line Driver 5 V Power Supply. 5 V <math>\pm</math> 5%.</b>
17	21	TTIP	O	<b>Transmit Bipolar Tip.</b> Positive bipolar output data to the transmit analog isolation transformer.
37, 72, 108, 144		VDD	P	<b>5 V Power Supply. 5 V <math>\pm</math> 5%.</b>
143	39	LOPLLCK	O	<b>Loss of PLLCK Clock.</b> This pin is asserted high when the PLLCK clock does not toggle for a 250 $\mu$ s interval. This pin is deasserted 250 $\mu$ s after PLLCK clock restarts toggling.
142	40	DS1/ $\overline{\text{CEPT}}$	I <sup>u</sup>	<b>DS1/<math>\overline{\text{CEPT}}</math>.</b> Strap to VDD to enable defaults for DS1 operation. Strap to VSS to enable defaults for CEPT operation.
141	41	FRAMER	I <sup>u</sup>	<b>Framer Mode.</b> Strap to VDD to enable integrated LIU and framer operation. Strap to VSS to bypass the LIU section; the receive framer is sourced directly from the RPD, RND, and RLCK pins while the TPD, TND, and TLCK pins are driven by the transmit framer.
140	42	$\overline{\text{3-STATE}}$	I <sup>u</sup>	<b>3-State (Active-Low).</b> Asserting this pin low forces the channel outputs into a high-impedance state. Asserting both 3-state pins low forces all outputs into a high-impedance state.
139	43	$\overline{\text{RESET}}^\dagger$	I <sup>u</sup>	<b>Reset (Active-Low).</b> Asserting this pin low resets the channel. Asserting both RESET pins low resets the entire device including the global registers.
138	44	TPD	O	<b>Transmit Line Interface Positive-Rail Data.</b> This signal is the transmit framer positive NRZ output data. Data changes on the rising edge of TLCK. In the single-rail mode, TPD = transmit framer data.

\* I<sup>u</sup> indicates an internal pull-up.† After  $\overline{\text{RESET}}$  is deasserted, the channel is in the default framing mode, as a function of the DS1/ $\overline{\text{CEPT}}$  pin.

‡ Asserting this pin low will initially force RDY to a low state.

**Pin Information** (continued)

**Table 1. Pin Descriptions-Channel 1 and Channel 2** (continued)

Pin		Symbol	Type*	Description
CH1	CH2			
137	45	TND	O	<b>Transmit Line Interface Negative-Rail Data.</b> This signal is the transmit framer negative NRZ output data. Data changes on the rising edge of TLCK. In the single-rail mode, TND = 0.
136	46	TLCK	O	<b>Transmit Framer Line Interface Clock.</b> Optional 1.544 MHz DS1 or 2.048 MHz output signal from the transmit framer. TND and TPD data changes on the rising edge of TLCK.
135	47	RLCK	I	<b>Receive Framer Line Interface Clock.</b> Valid when the FRAMER pin is strapped to 0 V. This is the 1.544 MHz DS1 or 2.048 MHz input clock signal used by the receive framer to latch RPD and RND data.
134	49	RFRMCK	O	<b>Receive Framer Clock.</b> Output receive framer clock signal used to clock out the receive framer output signals. In normal operation, this is the recovered receive line clock signal.
133	48	CKSEL	I <sup>U</sup>	<b>LIU System Clock Mode.</b> This pin selects either a 16x rate clock for SYSCK (CKSEL = 1) or a primary line rate clock for SYSCK (CKSEL = 0).
132	50	RFRMDATA	O	<b>Receive Framer Data.</b> This signal is the decoded data input to the receive elastic store. During loss of frame alignment, this signal is forced to 1.
131	51	RFS	O	<b>Receive Frame Sync.</b> This active-high signal is the 8 kHz frame synchronization pulse generated by the receive framer.
130	52	RSSFS	O	<b>Receive Framer Signaling Superframe Sync.</b> This active-high signal is the CEPT signaling superframe (multiframe) synchronization pulse in the receive framer.
129	53	RCRCMFS	O	<b>Receive Framer CRC-4 Multiframe Sync.</b> This active-high signal is the CEPT CRC-4 multiframe synchronization pulse in the receive framer.
128	54	RFDLCK	O	<b>Receive Facility Data Link Clock.</b> In DS1-DDS with data link access, this is an 8 kHz clock signal. Otherwise, this is a 4 kHz clock signal. The receive data link bit changes on the falling edge of RFDLCK.
127	55	RFDL	O	<b>Receive Facility Data Link.</b> Serial output facility data link bit stream extracted from the receive line data stream by the receive framer. In DS1-DDS with data link access, this is an 8 kbits/s signal; otherwise, 4 kbits/s. In the CEPT frame format, RFDL can be programmed to one of the Sa bits of the NOT FAS frame TS0. During loss of frame alignment, this signal is 1.
126	56	TCHICK	I	<b>TransmitrCHI Clock.</b> 2.048 MHz, 4.096 MHz, 8.192 MHz, or 16.384 MHz. This clock must be free of jitter.
125	57	TCHIFS	I/O	<b>Transmit CHI Frame Sync.</b> Transmit CHI 8 kHz input frame synchronization pulse phase-locked to TCHICK. In the CHI master mode, the transmit CHI generates the 8 kHz frame sync to control the CHI.

\* I<sup>U</sup> indicates an internal pull-up.

† After RESET is deasserted, the channel is in the default framing mode, as a function of the DS1/CEPT pin.

‡ Asserting this pin low will initially force RDY to a low state.

## Pin Information (continued)

Table 1. Pin Descriptions-Channel 1 and Channel 2 (continued)

Pin		Symbol	Type*	Description
CH1	CH2			
124	58	TCHIDATA	O	<b>Transmit CHI Data.</b> Serial output system data at 2.048 Mbits/s, 4.096 Mbits/s, or 8.192 Mbits/s. This port is forced into a high-impedance state for all inactive time slots.
123	59	TCHIDATAB	O	<b>Transmit CHI Data B.</b> Serial output system data at 2.048 Mbits/s, 4.096 Mbits/s, or 8.192 Mbits/s. This port is forced into a high-impedance state for all inactive time slots.
122	60	DIV-RLCK	O	<b>Divided-Down Receive Line Clock.</b> 8 kHz clock signal derived from the recovered receive line interface unit clock or the RLCK input signal.
121	61	DIV-TCHICK	O	<b>Divided-Down CHI Clock.</b> 8 kHz clock signal derived from the transmit CHI CLOCK input signal.
120	62	TCHICK-EPLL	O	<b>Error Phase-Lock Loop Signal.</b> The error signal proportional to the phase difference between DIV-TCHICK and DIV-RLCK as detected from the internal PLL circuitry (refer to the Phase-Lock Loop Circuit section).
119	63	TFS	O	<b>Transmit Framer Frame Sync.</b> This signal is the 8 kHz frame synchronization pulse in the transmit framer. This signal is active-high.
118	64	TSSFS	O	<b>Transmit Framer Signaling Superframe Sync.</b> This signal is the CEPT signaling superframe (multiframe) synchronization pulse in the transmit framer. This signal is active-high.
117	65	TCRCMFS	O	<b>Transmit Framer CRC-4 Multiframe Sync.</b> This signal is the CEPT CRC-4 submultiframe synchronization pulse in the transmit framer. This signal is active-high.
116	66	TFDLCK	O	<b>Transmit Facility Data Link Clock.</b> In DS1-DDS with data link access, this is an 8 kHz clock signal; otherwise, 4 kHz. The transmit frame latches data link bits on the falling edge of TFDLCK.
115	67	TFDL	I	<b>Transmit Facility Data Link.</b> Optional serial input facility data link bit stream inserted into the transmit line data stream by the transmit framer. In DS1-DDS with data link access, this is an 8 kbits/s signal; otherwise, 4 kbits/s. In the CEPT frame format, TFDL can be programmed to one of the Sa bits of the NOT-FAS frame time slot 0.
114	68	RCHICK	I	<b>Receive CHI Clock.</b> 2.048 MHz, 4.096 MHz, 8.192 MHz, or 16.384 MHz. This clock must be free of jitter.
113	69	RCHIFS	I	<b>Receive CHI Frame Sync.</b> Receive CHI 8 kHz frame synchronization pulse phase-locked to RCHICK.
112	70	RCHIDATA	I	<b>Receive CHI Data.</b> Serial input system data at 2.048 Mbits/s, 4.096 Mbits/s, or 8.192 Mbits/s.
111	71	RCHIDATAB	I	<b>Receive CHI Data B.</b> Serial input system data at 2.048 Mbits/s, 4.096 Mbits/s, or 8.192 Mbits/s.

\* I<sup>U</sup> indicates an internal pull-up.

† After RESET is deasserted, the channel is in the default framing mode, as a function of the DS1/CEPT pin.

‡ Asserting this pin low will initially force RDY to a low state.

**Pin Information** (continued)

**Table 2. Pin Descriptions-Global**

Pin	Symbol	Type*	Description
74	MPMODE	I <sup>u</sup>	<b>MPMODE.</b> Strap to ground to enable the <i>Motorola</i> 68360 microprocessor protocol (MODE1 or MODE2). Strapped to VDD to enable the <i>Intel</i> 80X86/88 microprocessor protocol (MODE3 or MODE4).
75	$\overline{\text{RD\_R/W}}$	I	<b>Read (Active-Low).</b> In the <i>Intel</i> interface mode, the T7630 drives the data bus with the contents of the addressed register while $\overline{\text{RD}}$ is low. <b>Read/Write.</b> In the <i>Motorola</i> interface mode, this signal is asserted high for read accesses; this pin is asserted low for write accesses.
76	MPMUX	I <sup>u</sup>	<b>MPMUX.</b> Strap to VSS to enable the demultiplexed address and data bus mode. Strap to VDD to enable the multiplexed address and data bus mode.
77	$\overline{\text{CS}}^\ddagger$	I	<b>Chip Select (Active-Low).</b> In the <i>Intel</i> interface mode, this pin must be asserted low to initiate a read or write access and kept low for the duration of the access; asserting $\overline{\text{CS}}$ low forces RDY out of its high-impedance state into a 0 state.
78	$\overline{\text{ALE\_AS}}$	I	<b>Address Latch Enable/Address Strobe.</b> In the address/data bus multiplex mode of the microprocessor, when this signal transitions from high to low, the state of the address bus is latched into internal address registers. In the demultiplexed address mode, the address is transparent through the T7630 and is latched on the rising edge of the $\overline{\text{ALE\_AS}}$ signal. Alternatively, if $\overline{\text{ALE\_AS}}$ is not connected to the microprocessor or other driver, it must be connected to ground.
79—86	AD0—AD7	I/O	<b>Microprocessor Address_Data Bus.</b> Multiplexed address and bidirectional data bus used for read and write accesses. High-impedance output.
87—98	A0—A11	I	<b>Microprocessor Address Bus.</b> Address bus used to access the internal registers.
99	INTERRUPT	O	<b>Interrupt.</b> INTERRUPT is asserted high indicating an internal interrupt condition/event has been generated. Otherwise, INTERRUPT is 0. Interrupt events/conditions are maskable through the control registers. Interrupt assertion may be inverted (active-low) by setting register GREG 4 bit 6 = 1. This output may not be wire OR connected to any other logic output.

\* I<sup>u</sup> indicates an internal pull-up. I<sup>d</sup> indicates an internal pull-down.

† After  $\overline{\text{RESET}}$  is deasserted, the channel is in the default framing mode, as a function of the DS1/ $\overline{\text{CEPT}}$  pin.

‡ Asserting this pin low will initially force RDY to a low state.

## Pin Information (continued)

Table 2. Pin Descriptions-Global (continued)

Pin	Symbol	Type*	Description
100	RDY_ $\overline{\text{DTACK}}$	O	<b>Ready.</b> In the <i>Intel</i> interface mode, this pin is asserted high to indicate the completion of a read or write access; this pin is forced into a high-impedance state while $\overline{\text{CS}}$ is high. <b>Data Transfer Acknowledge (Active-Low).</b> In the <i>Motorola</i> interface mode, $\overline{\text{DTACK}}$ is asserted low to indicate the completion of a read or write access; $\overline{\text{DTACK}}$ is 1 otherwise.
101	MPCK	I <sup>u</sup>	<b>Microprocessor Clock.</b> Microprocessor clock used in the <i>Intel</i> mode to generate the READY signal.
102	JTAGTDO	O	<b>JTAG Data Output.</b> Serial output data sampled on the falling edge of TCK from the boundary-scan test circuitry.
103	JTAGTDI	I <sup>u</sup>	<b>JTAG Data Input.</b> Serial input data sampled on the rising edge of TCK for the boundary-scan test circuitry.
104	JTAGTCK	I <sup>u</sup>	<b>JTAG Clock Input.</b> TCK provides the clock for the boundary-scan test logic.
105	JTAGTMS	I <sup>u</sup>	<b>JTAG Mode Select (Active-High).</b> The signal values received at TMS are sampled on the rising edge of TCK and decoded by the boundary-scan TAP controller to control boundary-scan test operations.
106	$\overline{\text{JTAGTRST}}$	I <sup>d</sup>	<b>JTAG Reset Input (Active-Low).</b> Assert this pin low to asynchronously initialize/reset the boundary-scan test logic.
107	$\overline{\text{WR}}_{\overline{\text{DS}}}$	I	<b>Write (Active-Low).</b> In the <i>Intel</i> mode, the value present on the data bus is latched into the addressed register on the positive edge of the signal applied to $\overline{\text{WR}}$ . <b>Data Strobe (Active-Low).</b> In the <i>Motorola</i> mode, when $\overline{\text{AS}}$ is low and R/ $\overline{\text{W}}$ is low (write), the value present on the data bus is latched into the addressed register on the positive edge of the signal applied to $\overline{\text{DS}}$ ; when $\overline{\text{AS}}$ is low and R/ $\overline{\text{W}}$ is high (read), the T7630 drives the data bus with the contents of the addressed register while $\overline{\text{DS}}$ is low.
110	SECOND	O	<b>Second Pulse.</b> A one second timer with an active-high pulse. The duration of the pulse is one RLCK cycle. The received line clock of FRAMER1 (RLCK1) is the default clock source for the internal second pulse timer. When LOFRMCLK1 is active, the received line clock of FRAMER2 is used as the clock signal source for the internal second pulse timer. The second pulse is used for performance monitoring.

\* I<sup>u</sup> indicates an internal pull-up. I<sup>d</sup> indicates an internal pull-down.

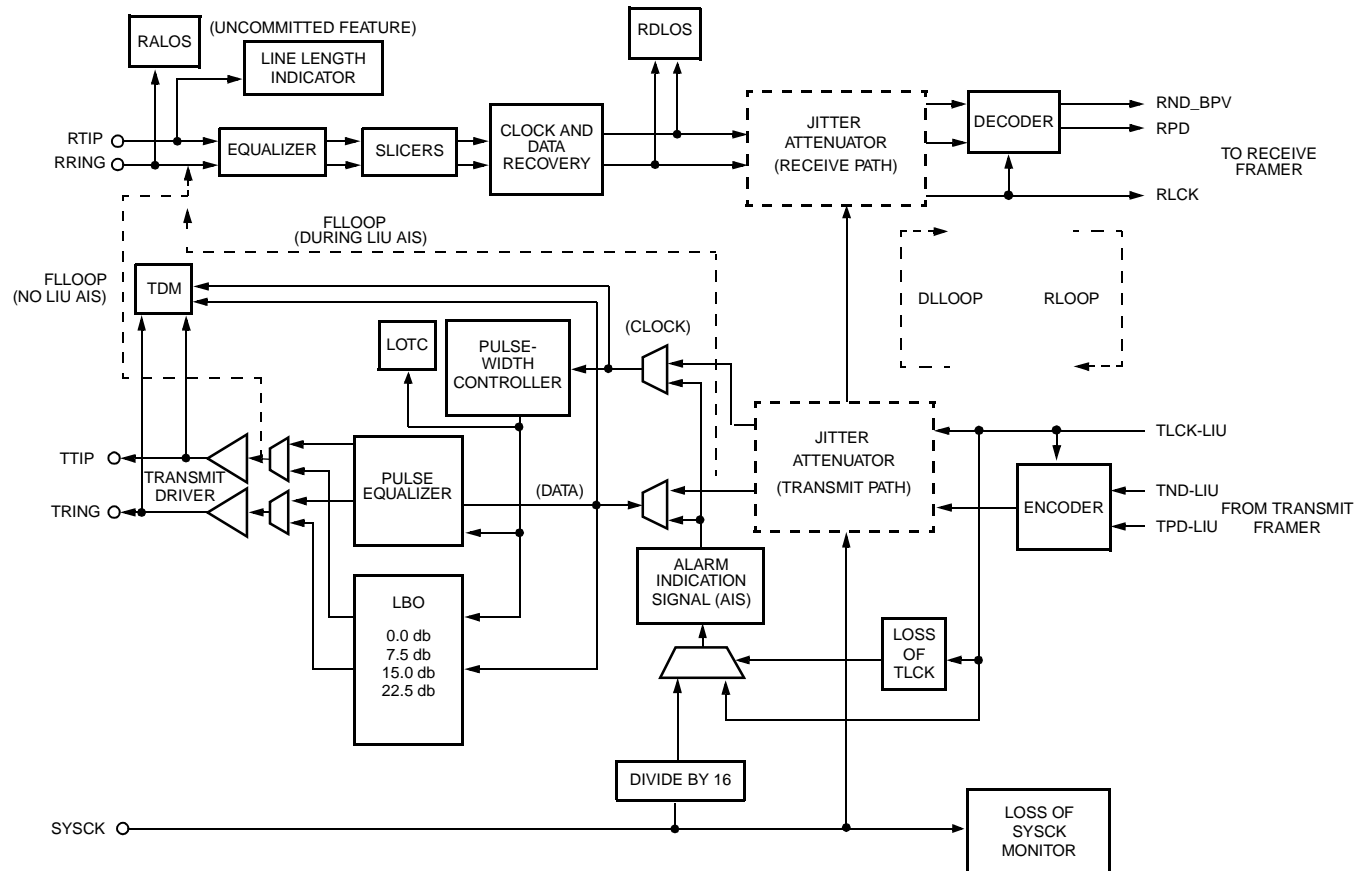
† After RESET is deasserted, the channel is in the default framing mode, as a function of the DS1/ $\overline{\text{CEPT}}$  pin.

‡ Asserting this pin low will initially force RDY to a low state.



## Line Interface Unit: Block Diagram

The T7630 LIU diagram is shown in Figure 5. Only a single transceiver is shown here for illustration purposes.



5-4556(F).g

Figure 5. Block Diagram of Line Interface Unit: Single Channel

## Line Interface Unit: Receive

### Data Recovery

The receive line-interface unit (RLIU) transmission format is bipolar alternate mark inversion (AMI). The RLIU accepts input data with a data rate tolerance of  $\pm 130$  ppm (DS1) or  $\pm 80$  ppm (E1). The RLIU first restores the incoming data and detects ALOS. Subsequent processing is optional and depends on the programmable LIU configuration established within the microprocessor interface registers. The RLIU utilizes an adaptive equalizer to operate on line length with typically up to 3615 dB of loss at 772 kHz (T1/DS1) or 4313 dB loss at 1.024 MHz (E1). The signal is then peak-detected and sliced to produce digital representations of the data. Selectable DLOS, jitter attenuation, and data decoding are performed.

The clock is recovered by a digital phase-locked loop that uses SYSCK as a reference to lock to the data rate component. Because the reference clock is a multiple of the received data rate, the internal RLCK (RLCK-LIU) output will always be a valid DS1/CEPT clock that eliminates false lock conditions. During periods with no receive input signal from the line, the free-run frequency of RLCK-LIU is defined to be either SYSCK/16 or SYSCK depending on the state of CKSEL. RLCK-LIU is always active with a duty cycle centered at 50%, deviating by no more than  $\pm 5\%$ . Valid data is recovered within the first few bit periods after the application of SYSCK.

**Line Interface Unit: Receive** (continued)**Jitter Accommodation and Jitter Transfer Without the Jitter Attenuator**

The RLIU is designed to accommodate large amounts of input jitter. The RLIU's jitter performance exceeds the requirements shown in the RLIU specification Table 5 and Table 6. Typical receiver performance without the jitter attenuator in the path is shown in Figures 6—9. Typical receiver performance with the jitter attenuator is given in Figures 12—15. Jitter transfer is independent of input ones density on the line interface.

**Receive Line Interface Configuration Modes****Zero Substitution Decoding (CODE)**

When single-rail operation is selected with  $DUAL = 0$  (register LIU\_REG3, bit 3), the LIU B8ZS/HDB3 zero substitution decoding can be selected via the CODE bit (register LIU\_REG3, bit 2). If  $CODE = 1$ , the B8ZS/HDB3 decoding function is enabled in the receive path. Decoded receive data appears at the internal LIU-to-framer RPD interface (RPD-LIU). Code violations, including BPVs, appear at the internal LIU-to-framer RND\_BPV interface (RND-LIU). If  $CODE = 0$ , the receive data is passed unaltered to RPD-LIU, and all bipolar violations (such as two consecutive ones if the same polarity) appear at RND-LIU. The default configuration is single-rail,  $DUAL = 0$ , with the decoding active,  $CODE = 1$ .

If  $DUAL = 0$ , the receive framer must be programmed to the single-rail mode and the receive framer's internal LIU-to-framer RPD input will be the receive data port. If  $DUAL = 0$ , then the receive framer's bipolar violation count will increment by one whenever the internal LIU-to-framer RND\_BPV signal is one. The bipolar violation count is incremented on the rising edge of the receive framer's RLCK clock signal.

**Receive Line Interface Unit (RLIU) Alarms**

**Analog Loss of Signal (ALOS) Alarm.** An analog signal detector monitors the receive signal amplitude and reports its status in the ALOS alarm bit ALOS (register LIU\_REG0, bit 0). ALOS is indicated ( $ALOS = 1$ ) if the amplitude at the RRING and RTIP inputs drops below a voltage approximately 18 dB below the nominal signal amplitude. The ALOS alarm condition will clear when the receive signal amplitude returns to a level greater than 14 dB below normal. The ALOS alarm status bit

will latch the alarm and remain set until being cleared by a read (clear on read). Upon the transition from  $ALOS = 0$  to  $ALOS = 1$ , a microprocessor interrupt will be generated if the ALOS interrupt enable bit ALOSIE (register LIU\_REG1, bit 0) is set. The reset default is  $ALOSIE = 0$ .

The ALOS circuitry provides 4 dB of hysteresis to prevent alarm chattering. The time required to detect ALOS is selectable. When  $ALTIMER = 0$  (register LIU\_REG4, bit 0), ALOS is declared between 1 ms and 2.6 ms after losing signal as required by I.431(3/93) and ETS-300-233 (5/94). If  $ALTIMER = 1$ , ALOS is declared between 10-bit and 255-bit symbol periods after losing signal as required by G.775 (11/95). The timing is derived from the SYSCK clock. The detection time is independent of signal amplitude before the loss condition occurs. Normally,  $ALTIMER = 1$  would be used only in E1 mode since no T1/DS1 standards require this mode. In T1/DS1 mode, this bit should normally be zero. The reset default is  $ALTIMER = 0$ .

The behavior of the receiver RLIU outputs under ALOS conditions is dependent on the loss shutdown (LOSSD) control bit (register LIU\_REG3, bit 4) in conjunction with the receive alarm indication select (RCVAIS) control bit (register LIU\_REG4, bit 1) as described in the Loss Shutdown (LOSSD) and Receiver AIS (RCVAIS) section on page 27. When operating on long-haul loops, the receive input signal will routinely be well below the 20 dB ALOS level. Therefore, when the transmit equalization is programmed to any of the long-haul settings shown in Table 8, the ALOS function is completely disabled.

**Digital Loss of Signal (DLOS) Alarm.** A (DLOS) detector guarantees the received signal quality as defined in the appropriate *ANSI*, *Bellcore*, and *ITU* standards. The DLOS alarm is reported in the RLIU alarm status register (register LIU\_REG0, bit 1). For DS1 operation, digital loss of signal ( $DLOS = 1$ ) is indicated if 100 or more consecutive zeros occur in the receive data stream. The DLOS condition is deactivated when the average ones density of at least 12.5% is received in 100 contiguous pulse positions. The DLOS alarm status bit will latch the alarm and remain set until being cleared by a read (clear on read). The LOSSTD control bit (register LIU\_REG2, bit 2) selects the conformance protocols for the DLOS alarm indication per Table 3. Setting  $LOSSTD = 1$  adds an additional constraint that there are less than 15 consecutive zeros in the DS1 data stream before DLOS is deactivated. The reset default is  $LOSSTD = 0$ .

### Line Interface Unit: Receive (continued)

For E1 operation, DLOS is indicated when 255 or more consecutive zeros occur in the receive data stream. The DLOS indication is deactivated when the average ones density of at least 12.5% is received in 255 contiguous pulse positions. LOSSTD has no effect in E1 mode.

Upon the transition from DLOS = 0 to DLOS = 1, a microprocessor interrupt will be generated if the DLOS interrupt enable bit DLOSIE (register LIU\_REG1, bit 1) is set. The reset default is DLOSIE = 0.

The DLOS alarm may occur when FLLOOP is activated (see Line Interface Unit: Loopbacks) due to the abrupt change in signal level at the receiver input. Setting the FLLOOP alarm prevention PFLALM = 1 (register LIU\_REG 4, bit 2) prevents the DLOS alarm from occurring when FLLOOP is activated by quickly resetting the receiver's internal peak detector. It will not prevent the DLOS alarm during the FLLOOP period but only avoids the alarm created by the signal amplitude transient. The reset default is PFLALM = 0.

**Table 3. DLOS Standard Select**

LOSTSD	DS1 Mode	CEPT Mode
0	T1M1.3/93-005, ITU-T G.775	ITU-T G.775
1	TR-TSY-000009	ITU-T G.775

**Loss Shutdown (LOSSD) and Receiver AIS (RCVAIS).** The loss shutdown (LOSSD) control bit (register LIU\_REG3, bit 4) acts in conjunction with the receive alarm indication select (RCVAIS) control bit (register LIU\_REG4, bit 1) to place the digital RLIU signals (RPD-LIU, RND-LIU, RLCK-LIU) in a predeter-

mined state when a DLOS or ALOS alarm occurs.

If LOSSD = 0 and RCVAIS = 0, the RND-LIU, RPD-LIU, and RLCK-LIU signals will be unaffected by the DLOS alarm condition. However, when an ALOS alarm condition is indicated in the LIU alarm status register (register LIU\_REG0, bit 0), the RPD-LIU and RND-LIU signals are forced to 0 state and the RLCK-LIU free runs (at the INTSYSCK/16 frequency).

If LOSSD = 1, RCVAIS = 0, and a DLOS alarm condition is indicated in the LIU alarm status register (register LIU\_REG0, bit 1) or an ALOS alarm condition is indicated, the RPD-LIU and RND-LIU signals are forced to the inactive (dependent on ALM) and the RLCK-LIU free runs (at the INTSYSCK/16 frequency).

If LOSSD = 0, RCVAIS = 1, and a DLOS or an ALOS alarm condition is indicated in the LIU alarm status register (register LIU\_REG0, bits 0 or 1), the RPD-LIU and RND-LIU signals will present an alarm indication signal (AIS, all ones) based on the free-running INTSYSCK/16 frequency.

If LOSSD = 1, RCVAIS = 1, and a DLOS or an ALOS alarm condition is indicated in LIU alarm status register (register LIU\_REG0, bits 0 or 1), the RPD-LIU and RND-LIU signals are forced to inactive (dependent on ALM) and the RLCK-LIU free runs at the INTSYSCK/16 frequency.

The RND-LIU, RPD-LIU, and RLCK-LIU signals will be remain unaffected if any loopback (FLLOOP, RLOOP, DLLOOP) is activated independent of LOSSD and RCVAIS settings.

The default reset state is LOSSD = 0 and RCVAIS = 0.

The LOSSD and RCVAIS behavior is summarized in Table 4.

**Table 4. LOSSD and RCVAIS Control Configurations (Not Valid During Loopback Modes)**

LOSSD	RCVAIS	ALARM	RPD/RND	RLCK
0	0	ALOS	Inactive (1/0 dependent on ALM)	Free Runs
0	0	DLOS	Normal Data	Recovered Clock
1	0	ALOS	Inactive (1/0 dependent on ALM)	Free Runs
1	0	DLOS	Inactive (1/0 dependent on ALM)	Free Runs
0	1	ALOS	AIS (all ones)	Free Runs
0	1	DLOS	AIS (all ones)	Free Runs
1	1	ALOS	Inactive (1/0 dependent on ALM)	Free Runs
1	1	DLOS	Inactive (1/0 dependent on ALM)	Free Runs

**LIU Receiver BPV Alarm.** The receiver LIU BPV alarm is used only in the single-rail mode. When B8ZS(DS1)/HDB3(E1) coding is not used (i.e., CODE = 0), any violations in the receive data (such as two or more consecutive ones on a rail) are indicated on the RND-LIU output. When B8ZS(DS1)/HDB3(E1) coding is used (i.e., CODE = 1), the HDB3/B8ZS code violations, as defined in the appropriate standards, are reflected on the RND-LIU output.

**Line Interface Unit: Receive** (continued)

During T1/DS1 operation, the LIU receiver will perform as specified in Table 5.

**Table 5. T1/DS1 LIU Receiver Specifications**

Parameter	Min	Typ	Max	Unit	Spec
Analog Loss of Signal:					
Threshold to Assert	23	18	16.5	dB <sup>1</sup>	I.431
Threshold to Clear	17.5	14	12.5	dB <sup>1</sup>	—
Hysteresis	—	4	—	dB	—
Time to Assert (ALTIMER = 0)	1.0	—	2.6	ms	I.431
Receiver Sensitivity <sup>2</sup>	11	15	—	dB	—
Jitter Transfer:					
3 dB Bandwidth	—	3.84	—	kHz	Figure 7
Peaking	—	—	0.1	dB	Figure 13
Generated Jitter	—	0.04	0.05	Ulp-p	TR-TSY-000499, ITU-T G.824
Jitter Accommodation	—	—	—	—	Figure 6 Figure 12
Return Loss: <sup>3</sup>					
51 kHz to 102 kHz	14	—	—	dB	—
102 kHz to 1.544 MHz	20	—	—	dB	—
1.544 MHz to 2.316 MHz	16	—	—	dB	—
Digital Loss of Signal:					
Flag Asserted When Consecutive Bit Positions Contain	100	—	—	zeros	ITU-T G.775, T1M1.3/93-005
Flag Deasserted when Data Density Is and	12.5	—	—	%ones	—
Maximum Consecutive Zeros Are	—	—	15	zeros	TR-TRY-000009
	—	—	99	zeros	ITU-T G.775, T1M1.3/ 93-005

1. Below the nominal pulse amplitude of 3.0 V with the line interface circuitry specified in the Line Interface Unit: Line Interface Networks section.

2. Cable loss at 772 kHz.

3. Using Lucent transformer 2795B and components listed in Table 14.

**Line Interface Unit: Receive** (continued)

During E1 operation, the LIU receiver will perform as specified in Table 6.

**Table 6. CEPT LIU Receiver Specifications**

Parameter	Min	Typ	Max	Unit	Specification
Analog Loss of Signal:					
Threshold to Assert	23	18	16.5	dB <sup>1</sup>	I.431, ETSI 300 233
Threshold to Clear	17.5	14	12.5	dB <sup>1</sup>	—
Hysteresis	—	4	—	dB	—
Time to Assert (ALTIMER = 0)	1.0	—	2.6	ms	I.431, ETSI 300 233
Time to Assert (ALTIMER = 1)	10	—	255	UI	G.775
Receiver Sensitivity <sup>2</sup>	11	13.5	—	dB	—
Interference Immunity: <sup>3</sup>	9	12	—	dB	ITU-T G.703
Jitter Transfer:					
3 dB Bandwidth, Single-pole Roll Off	—	5.1	—	kHz	Figure 9
Peaking	—	—	0.5	dB	Figure 15
Generated Jitter	—	0.04	0.05	Ulp-p	ITU-T G.823, I.431
Jitter Accommodation	—	—	—	—	Figure 8 Figure 14
Return Loss: <sup>4</sup>					
51 kHz to 102 kHz	14	—	—	dB	ITU-T G.703
102 kHz to 2.048 MHz	20	—	—	dB	
2.048 MHz to 3.072 MHz	16	—	—	dB	
Digital Loss of Signal:					
Flag Asserted When Consecutive Bit Positions Contain	255	—	—	zeros	—
Flag Deasserted When Data Density Is (LOSSTD = 1)	12.5	—	—	%ones	ITU-T G.775

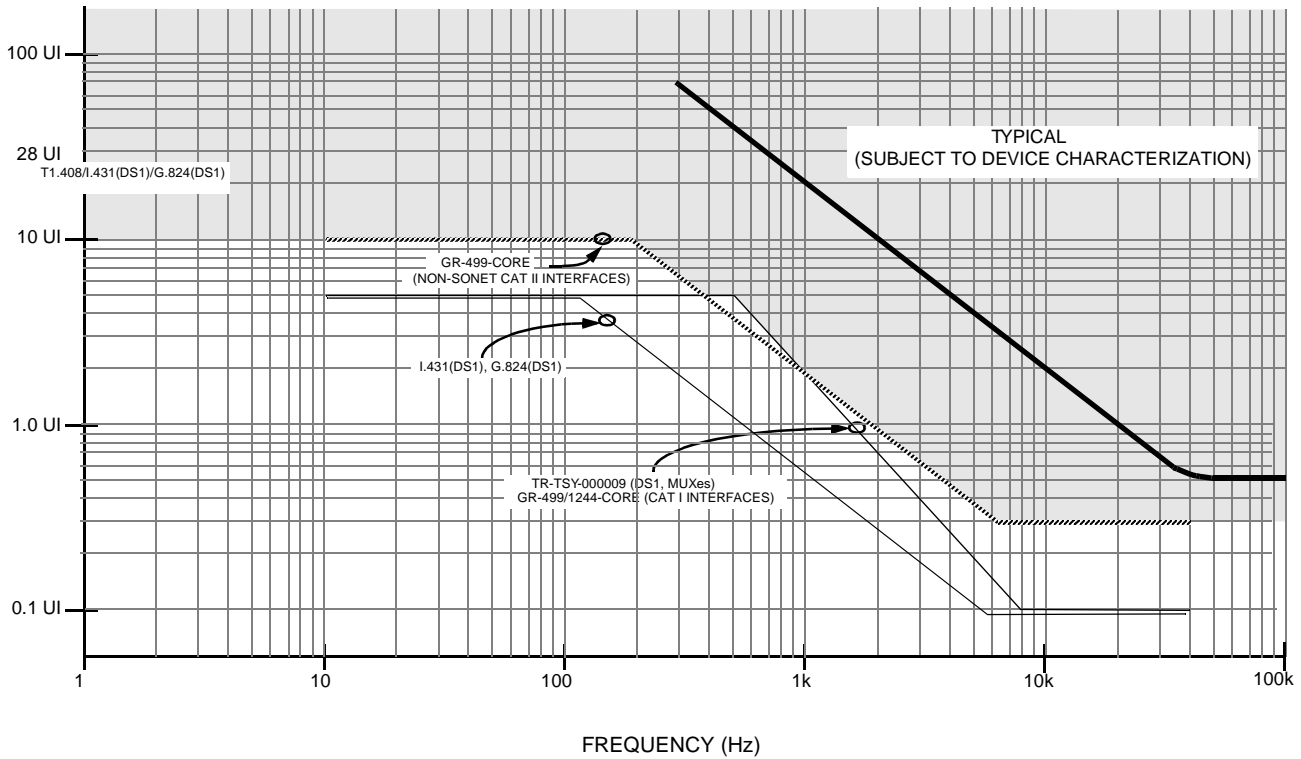
1. Below the nominal pulse amplitude of 3.0 V for 120 Ω and 2.37 V for 75 Ω applications with the line circuitry specified in the Line Interface Unit: Line Interface Networks section.

2. Cable loss at 1.024 MHz.

3. Amount of cable loss for which the receiver will operate error-free in the presence of a -18 dB interference signal summing with the intended signal source.

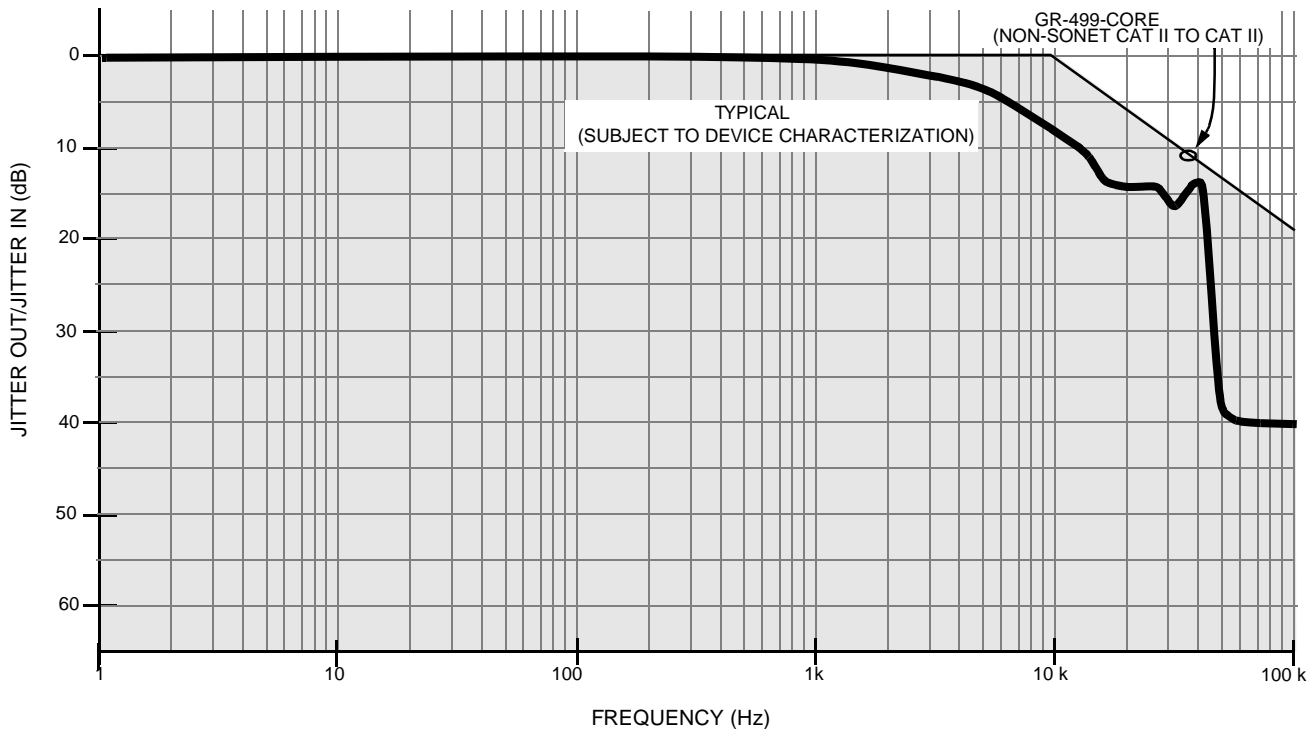
4. Using Lucent transformer 2795D or 2795C and components listed in Table 14.

Line Interface Unit: Receive (continued)



5-5260(F)

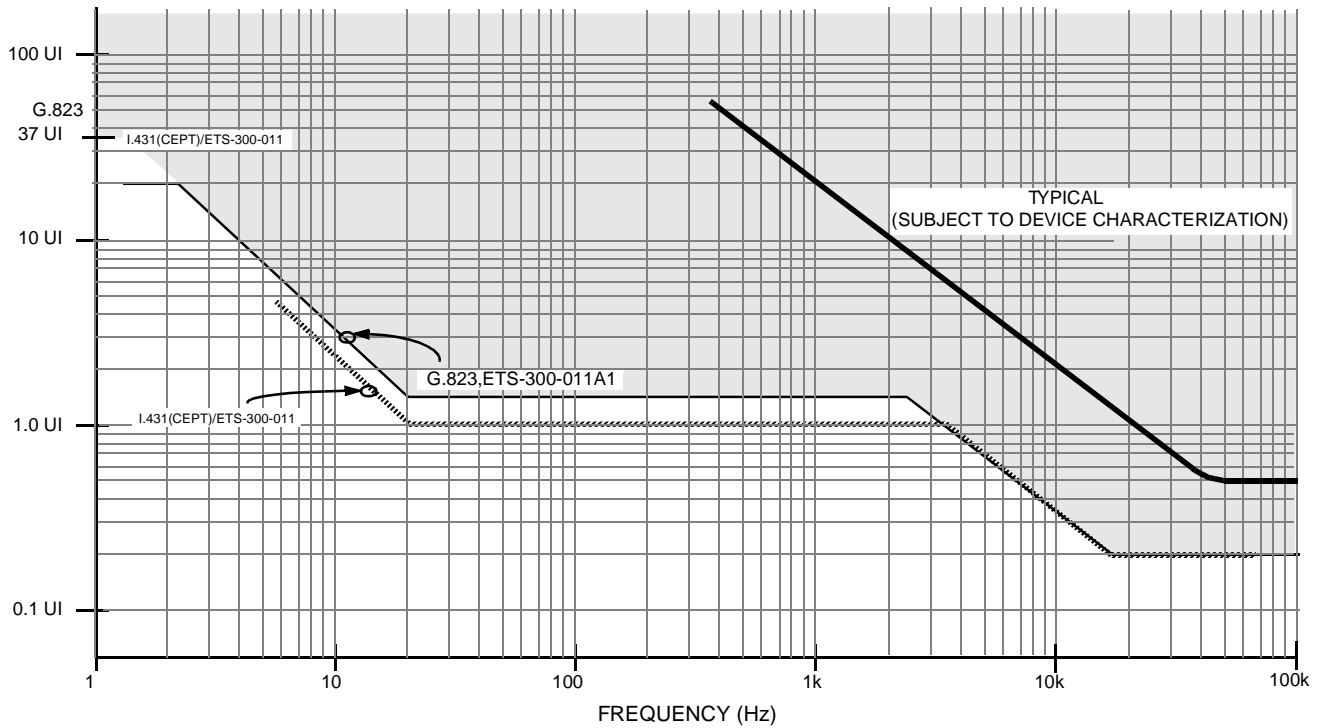
Figure 6. T1/DS1 Receiver Jitter Accommodation Without Jitter Attenuator



5-5261(F)

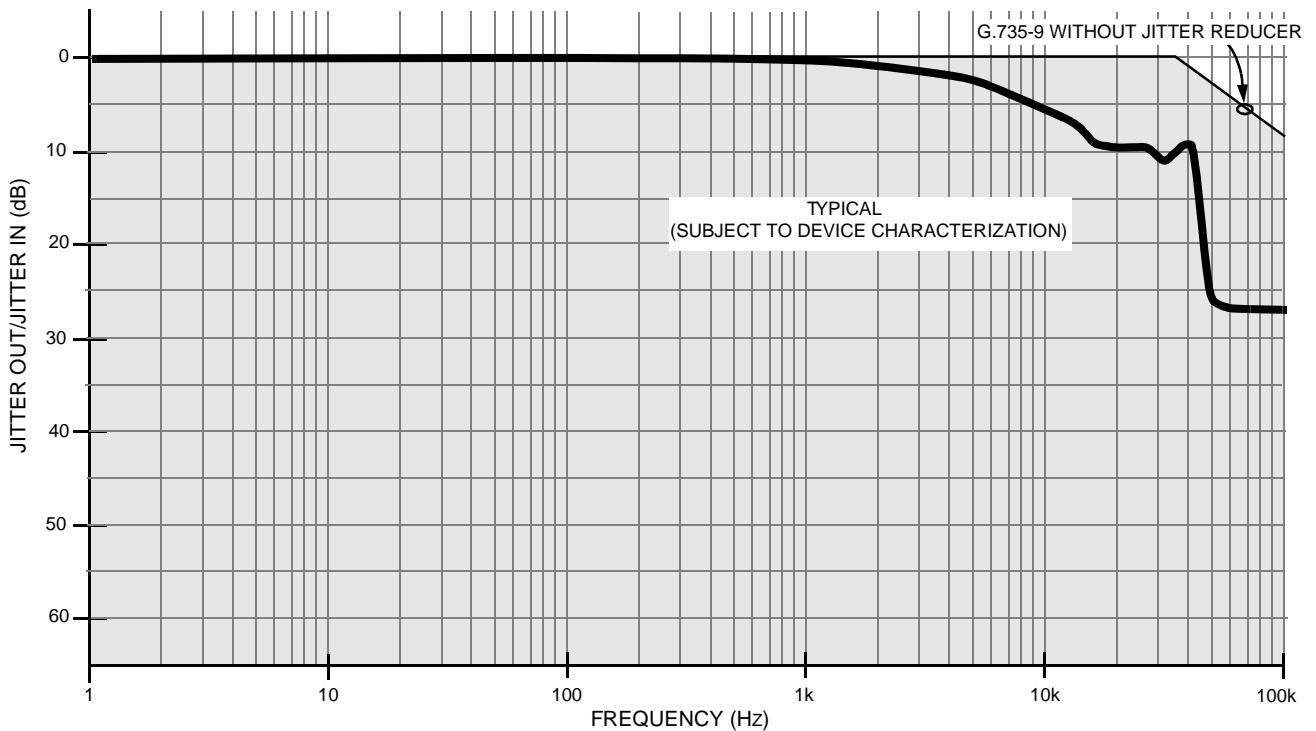
Figure 7. T1/DS1 Receiver Jitter Transfer Without Jitter Attenuator

Line Interface Unit: Receive (continued)



5-5262(F)r.9

Figure 8. CEPT/E1 Receiver Jitter Accommodation Without Jitter Attenuator



5-5263(F)

Figure 9. CEPT/E1 Receiver Jitter Transfer Without Jitter Attenuator

## Line Interface Unit: Transmit

### Output Pulse Generation

The line interface transmitter accepts a line rate clock and NRZ data in single-rail mode (DUAL = 0) or positive and negative NRZ data in dual-rail mode (DUAL = 1) from the transmit framer unit or, optionally, the system interface. The line interface transmitter converts this data to a balanced bipolar signal (AMI format) with optional B8ZS(DS1)/HDB3(E1) encoding and optional jitter attenuation. Low-impedance output drivers produce the line transmit pulses. Positive ones are output as positive pulses on TTIP, and negative ones are output as positive pulses on TRING. Binary zeros are converted to null pulses.

In DSX-1 applications, transmit pulse shaping is controlled by the on-chip pulse-width controller and pulse

equalizer. The pulse-width controller produces high-speed timing signals to accurately control the transmit pulse widths. This eliminates the need for a tightly controlled transmit clock duty cycle that is usually required in discrete implementations. The pulse equalizer controls the amplitudes and shapes of the pulses. Different pulse equalizations are selected through settings of EQ2, EQ1, and EQ0 bits (register LIU\_REG6, bits 0 to 2) as described in Table 7, Transmit Line Interface Short-Haul Equalizer/Rate Control below.

The reset default state of the equalization bits EQ2, EQ1, and EQ0 can be predetermined by setting the DS1\_CEPT pin. The default transmit equalization is EQ2, EQ1, and EQ0 = 000 (0 dB T1/DS1) when DS1\_CEPT = 1; EQ2, EQ1, and EQ0 = 110 (CEPT 120 Ω/75 Ω) when DS1\_CEPT = 0. This feature aids in transmitting AIS at the correct rate upon completion of hardware reset; See LIU transmitter alarm indication signal generator (XLAIS) on Table 33.

**Table 7. Transmit Line Interface Short-Haul Equalizer/Rate Control**

Short-Haul Applications								
EQ2	EQ1	EQ0	Service	Clock Rate	Transmitter Equalization <sup>†</sup>		Maximum Cable Loss to DSX <sup>‡</sup>	
					Feet	Meters		
0	0	0	DSX-1	1.544 MHz	0 to 131	0 to 40	0.6	
0	0	1			131 to 262	40 to 80	1.2	
0	1	0			262 to 393	80 to 120	1.8	
0	1	1			393 to 524	120 to 160	2.4	
1	0	0			524 to 655	160 to 200	3.0	
1	0	1	CEPT <sup>§</sup>	2.048 MHz	75 Ω (Option 2)		—	
1	1	0			120 Ω or 75 Ω (Option 1)			
1	1	1	Not Used					

\* In DS1 mode, the distance to the DSX for 22-Gauge PIC (ABAM) cable is specified. Use the maximum cable loss figures for other cable types.

In CEPT mode, equalization is specified for coaxial or twisted-pair cable.

† Reset default state is EQ2, EQ1, and EQ0 = 000 when pin DS1\_CEPT = 1 and EQ2, EQ1, and EQ0 = 110 when pin DS1\_CEPT = 0.

‡ Loss measured at 772 kHz.

§ In 75 Ω applications, Option 1 is recommended over Option 2 for lower LIU power dissipation. Option 2 allows for the use of the same transformer as in CEPT 120 Ω applications (see Line Interface Unit: Line Circuitry section).



## Line Interface Unit: Transmit (continued)

### LIU Transmitter Configuration Modes

#### LIU Transmitter Zero Substitution Encoding (CODE)

LIU transmitter zero substitution (B8ZS/HDB3) encoding can be activated only in the single-rail (DUAL = 0) system/framer interface mode. It is activated by setting CODE = 1 (register LIU\_REG3, bit 2). Data transmitted from the framer interface on TPD-LIU will be B8ZS/HDB3 encoded before appearing on TTIP and TRING at the line interface.

#### LIU Transmitter Alarm Indication Signal Generator (XLAIS)

When the transmit alarm indication signal control is set (XLAIS = 1) for a given channel (see register LIU\_REG5, bit 1), a continuous stream of bipolar ones is transmitted to the line interface. The internal LIU to framer TPD interface (TPD) and internal LIU to framer TND interface (TND) signals are ignored during this mode. The XLAIS control is ignored when a remote loopback (RLOOP) is selected using loopback control bits LOOPA and LOOPB (register LIU\_REG5, bits 2 to 3). The clock source used for the alarm indication signal is TLCK if present or INTSYSCK if TLCK is not present. The clock tolerance must meet the nominal transmission specifications of 1.544 MHz  $\pm$  32 ppm for DS1 (T1) or 2.048 MHz  $\pm$  50 ppm CEPT (E1).

The XLAIS bit is defaulted to 1 on hardware reset allowing the transmitter to send AIS as soon as clocks are available, without needing to write the LIU registers\*. Because the transmit equalization bits are needed to determine the correct system rate (DS1/E1), the reset default state of the equalization bits EQ2, EQ1, EQ0 (register LIU\_REG6, bits 0—2) can be predetermined by setting the DS1\_CEPT pin (see Table 7). The default transmit equalization is EQ2, EQ1, and EQ0 = 000 (0 dB T1/DS1) when DS1\_CEPT = 1, and EQ2, EQ1, and EQ0 = 110 (CEPT 120  $\Omega$ /75  $\Omega$ ) when DS1\_CEPT = 0. The transmit equalization bits can be subsequently programmed to any state by writing the LIU register regardless of the state of the DS1\_CEPT pin. The DS1\_CEPT pin is only used to determine the reset default state of the equalization bits.

## LIU Transmitter Alarms

### Loss of LIU Transmit Clock (LOTC) Alarm

A loss of LIU transmit clock alarm (LOTC = 1, see register LIU\_REG0, bit 3) is indicated if any of the clocks used in the LIU transmitter paths are absent. This includes loss of TLCK-LIU input, loss of RLCK-LIU during remote loopback, loss of jitter attenuator output clock (when enabled in transmit path), or the internal loss of clock from the pulse-width controller. For all of these conditions, the LIU transmitter timing clock is lost and no data can be driven onto the line. Output drivers TTIP and TRING are placed in a high-impedance state when this alarm is active. The LOTC alarm asserts between 3  $\mu$ s and 16  $\mu$ s after the clock is lost and deasserts immediately after detecting the first clock edge. The LOTC alarm status bit will latch the alarm and remain set until being cleared by a read (clear on read). Upon the transition from LOTC = 0 to LOTC = 1, an interrupt will be generated if the LOTC interrupt enable bit LOTCIE (register LIU\_REG1, bit 3) is set. The reset default is LOTCIE = 0.

An LOTC alarm may occur when RLOOP is activated and deactivated due to the phase transient that occurs as TLCK-LIU switches its source to and from RLCK-LIU. Setting the RLOOP alarm prevention PRLALM = 1 (register LIU\_REG4, bit 3) prevents the LOTC alarm from occurring at the activation and deactivation of RLOOP but allows the alarm to operate normally during the RLOOP active period. The reset default is PRLALM = 0.

### LIU Transmitter Driver Monitor (TDM) Alarm

The transmit driver monitor detects two conditions: a nonfunctional link due to faults on the primary of the transmit line transformer and periods of no data transmission. The TDM alarm (register LIU\_REG0, bit 2) is the OR'd function of both faults and provides information about the integrity of the LIU transmitter signal path.

\* If TLCK from the framer is present, automatic transmission of AIS upon reset will occur only if the CHI common control register FRM\_PR45 bit 0 = 0, the default, or low-frequency PLLCK mode. In this case, PLLCK will be equal to the line transmit rate, either 1.544 MHz for DS1 or 2.048 MHz for CEPT.

**Line Interface Unit: Transmit** (continued)

The first monitoring function is provided to detect non-functional links and protect the LIU transmitter from damage. The alarm is set (TDM = 1) when one of the LIU transmitter line drivers (TTIP or TRING) is shorted to power supply or ground, or TTIP and TRING are shorted together. Under these conditions, internal circuitry protects the LIU transmitter from damage and excessive power supply current consumption by forcing the TTIP and TRING output drivers into a high-impedance state. The monitor detects faults on the transformer primary side, but the transformer secondary faults may not be detected. The monitor operates by comparing the line pulses with the transmit inputs. After 32 transmit clock cycles, the LIU transmitter is powered up in its normal operating mode. The LIU transmitter drivers attempt to correctly transmit the next data bit. If the error persists, TDM remains active to eliminate alarm chatter and the transmitter is again internally protected for another 32 transmit clock cycles. This process is repeated until the error condition is removed, and then the TDM alarm is deactivated. The TDM alarm status bit will latch the alarm and remain set until being cleared by a read (clear on read).

The second monitoring function is to indicate periods of no data transmission. The alarm is set (TDM = 1) when 33 consecutive zeros have been transmitted. The alarm is cleared (TDM = 0) on the detection of a single pulse. This alarm condition does not alter the functionality of the signal path.

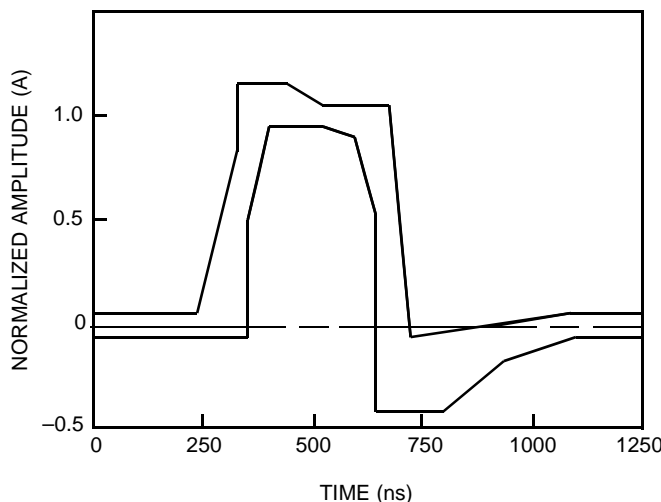
Upon the transition from TDM = 0 to TDM = 1, a micro-processor interrupt will be generated if the TDM interrupt enable bit TDMIE (register LIU\_REG1, bit 2) is set. The reset default is TDMIE = 0.

A TDM alarm may occur when RLOOP is activated and deactivated. If the PRLALM bit is not set, then RLOOP may activate an LOTC alarm, which will put the output drivers TTIP and TRING in a high-impedance state as described in loss of LIU transmit clock (LOTC) alarm. The high-impedance state of the drivers may in turn generate a TDM alarm.

Setting the HIGHZ alarm prevention PHIZALM = 1 (register LIU\_REG4, bit 4) prevents the TDM alarm from occurring when the drivers are in a high-impedance state. The reset default is PHIZALM = 0.

**DSX-1 Transmitter Pulse Template and Specifications**

The DS1 pulse shape template is specified at the DSX (defined by CB119 and ANSI T1.102) and is illustrated in Figure 10. The LIU transmitter also meets the pulse template specified by ITU-T G.703 (not shown).



**Figure 10. DSX-1 Isolated Pulse Template**

5-1160(F)

**Line Interface Unit: Transmit** (continued)

**Table 8. DSX-1 Pulse Template Corner Points (from CB119, T1.102)**

Maximum Curve			Minimum Curve		
UI	ns	Normalized Amplitude	UI	ns	Normalized Amplitude
-0.77	0	0.05	-0.77	0	-0.05
-0.39	250	0.05	-0.23	350	-0.05
-0.27	325	0.80	-0.23	350	0.50
-0.27	325	1.15	-0.15	400	0.95
-0.12	425	1.15	0.0	500	0.95
0.0	500	1.05	0.15	600	0.90
0.27	675	1.05	0.23	650	0.50
0.25	725	-0.07	0.23	650	-0.45
0.93	1100	0.05	0.46	800	-0.45
1.16	1250	0.05	0.66	925	-0.20
			0.93	1100	-0.05
			1.16	1250	-0.05

During DS1 operation, the LIU transmitter TTIP and TRING pins will perform as specified in Table 9.

**Table 9. DS1 Transmitter Specifications**

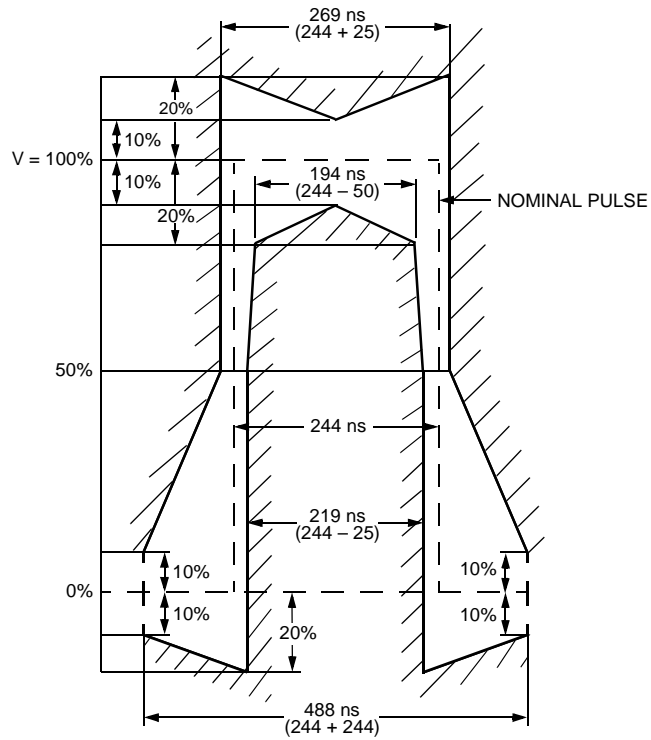
Parameter	Min	Typ	Max	Unit	Specification
Output Pulse Amplitude at DSX <sup>1</sup>	2.5	3.0	3.5	V	AT&T CB119, ANSI T1.102
Output Pulse Width at Line Side of Transformer <sup>1</sup>	325	350	375	ns	
Output Pulse Width at Device Pins TTIP and TRING <sup>1</sup>	330	350	370	ns	
Positive/Negative Pulse Imbalance <sup>2</sup>	—	0.1	0.4	dB	
Power Levels: <sup>3,4</sup>					
772 kHz	12.6	—	17.9	dBm	
1.544 MHz <sup>5</sup>	29	39	—	dB	

1. With the line circuitry specified in Table 14.
2. Total power difference.
3. Measured in a 2 kHz band around the specified frequency.
4. Using Lucent transformer 2795B and components in Table 14.
5. Below the power at 772 kHz.

Line Interface Unit: Transmit (continued)

CEPT Transmitter Pulse Template and Specifications

CEPT pulse shape template is specified at the system output (defined by ITU-T G.703) and is illustrated in Figure 11.



5-3145(F)

Figure 11. ITU-T G.703 Pulse Template

## Line Interface Unit: Transmit (continued)

During E1 operation, the LIU transmitter TTIP and TRING pins will perform as specified in Table 10.

**Table 10. CEPT Transmitter Specifications**

Parameter	Min	Typ	Max	Unit	Specification
Output Pulse Amplitude <sup>1</sup> :					ITU-T G.703
75 Ω	2.13	2.37	2.61	V	
120 Ω	2.7	3.0	3.3	V	
Output Pulse Width at Line Side of Transformer <sup>1</sup>	219	244	269	ns	
Output Pulse Width at Device Pins TTIP and TRING <sup>1</sup>	224	244	264	ns	
Positive/Negative Pulse Imbalance:					
Pulse Amplitude	-4	±1.5	4	%	
Pulse Width	-4	±1	4	%	
Zero Level (percentage of pulse amplitude)	-5	0	5	%	
Return Loss: <sup>2</sup> 120 Ω					CH-PTT
51 kHz to 102 kHz	9	—	—	dB	
102 kHz to 2.048 MHz	15	—	—	dB	
2.048 MHz to 3.072 MHz	11	—	—	dB	ETS 300 166: 1993
Return Loss: <sup>2</sup> 75 Ω					
51 kHz to 102 kHz	7	—	—	dB	
102 kHz to 3.072 MHz	9	—	—	dB	

1. With the line circuitry specified in Table 14, measured at the transformer secondary.

2. Using Lucent transformer 2795D or 2795C and components in Table 14.

## Line Interface Unit: Jitter Attenuator

A selectable jitter attenuator is provided for narrow-bandwidth jitter transfer function applications. When placed in the LIU receive path, the jitter attenuator provides narrow-bandwidth jitter filtering for line-synchronization. The jitter attenuator can also be placed in the LIU transmit path to provide clock smoothing for applications such as synchronous/asynchronous demultiplexers. In these applications, TLCK-LIU will have an instantaneous frequency that is higher than the data rate and some TLCK-LIU periods are suppressed (gapped) in order to set the average long-term TLCK-LIU frequency to within the transmit line rate specification. The jitter attenuator will smooth the gapped clock.

### Generated (Intrinsic) Jitter

Generated jitter is the amount of jitter appearing on the output port when the applied input signal has no jitter. The jitter attenuator outputs a maximum of 0.04 UI peak-to-peak intrinsic jitter.

## Jitter Transfer Function

The jitter transfer function describes the amount of jitter that is transferred from the input to the output over a range of frequencies. The jitter attenuator exhibits a single-pole roll-off (20 dB/decade) jitter transfer characteristic that has no peaking and a nominal filter corner frequency (3 dB bandwidth) of less than 4 Hz for DS1 operation and approximately 10 Hz for CEPT operation. Optionally, a lower bandwidth of approximately 1.25 Hz can be selected in CEPT operation by setting JABW0 = 1 (register LIU\_REG4, bit 5) for systems desiring compliance with ETSI-TBR12 and TBR13 jitter attenuation requirements. The reset default is JABW0 = 0. For a given frequency, different jitter amplitudes will cause a slight variation in attenuation because of finite quantization effects. Jitter amplitudes of less than approximately 0.2 UI will have greater attenuation than the single-pole roll-off characteristic. The jitter transfer curve is independent of data patterns. Typical jitter transfer curves of the jitter attenuator are given in Figures 13 and 15.

**Line Interface Unit: Jitter Attenuator** (continued)**Jitter Accommodation**

The minimum jitter accommodation of the jitter attenuator occurs when the SYSCK frequency and the input clock's long-term average frequency are at their extreme frequency tolerances. When the jitter attenuator is used in the LIU transmit path, the minimum accommodation is 28 UI peak-to-peak at the highest jitter frequency of 15 kHz. Typical receiver jitter accommodation curves including the jitter attenuator in the LIU receive path are given in Figures 12 and 14.

When the jitter attenuator is placed in the data path, a difference between the SYSCK/16 frequency and the incoming line rate for receive applications, or the TCLK rate for transmit applications will result in degraded low-frequency jitter accommodation performance. The peak-to-peak jitter accommodation (JApp) for frequencies from above the corner frequency of the jitter attenuator ( $f_c$ ) to approximately 100 Hz is given by the following equation:

$$J_{App} = \left( 64 - \frac{2(|\Delta f_{sysclk} - \Delta f_{data}|)f_{data}}{2\pi f_c} \right) UI$$

where:

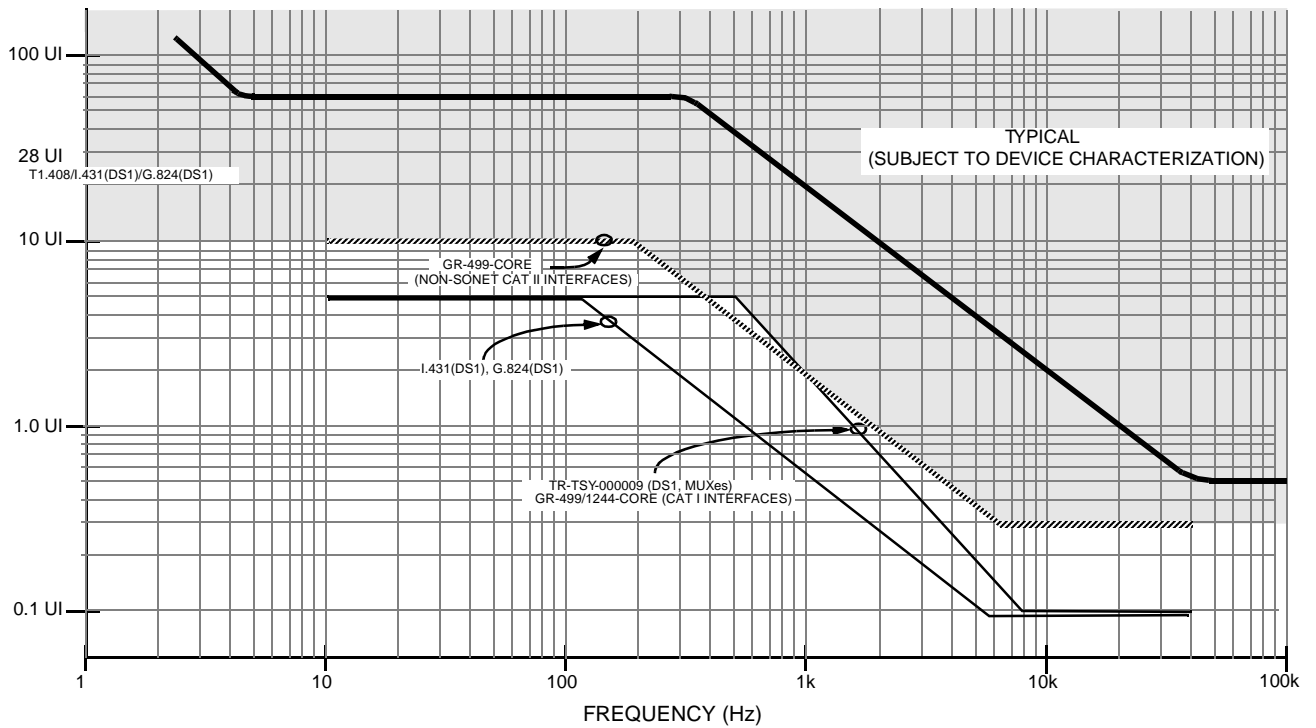
$f_{data}$  = 1.544 MHz for DS1 or 2.048 MHz for E1,  
for JABW0 = 0,  $f_c$  = 3.8 Hz for DS1 or 10 Hz for E1,  
and for JABW0 = 1,  $f_c$  = 1.25 Hz for E1,  
 $\Delta f_{sysclk}$  = SYSCK tolerance in ppm,  
 $\Delta f_{data}$  = data tolerance in ppm.

Note that for lower corner frequencies the jitter accommodation is more sensitive to clock tolerance than for higher corner frequencies. When JABW0 = 1 and the jitter attenuator is used in the receive data path, the tolerance on SYSCK should be tightened to  $\pm 20$  ppm in order to meet the jitter accommodation requirements of TBR12/13 as given in G.823 for line data rates of  $\pm 50$  ppm.

**Jitter Attenuator Enable (Transmit or Receive Path)**

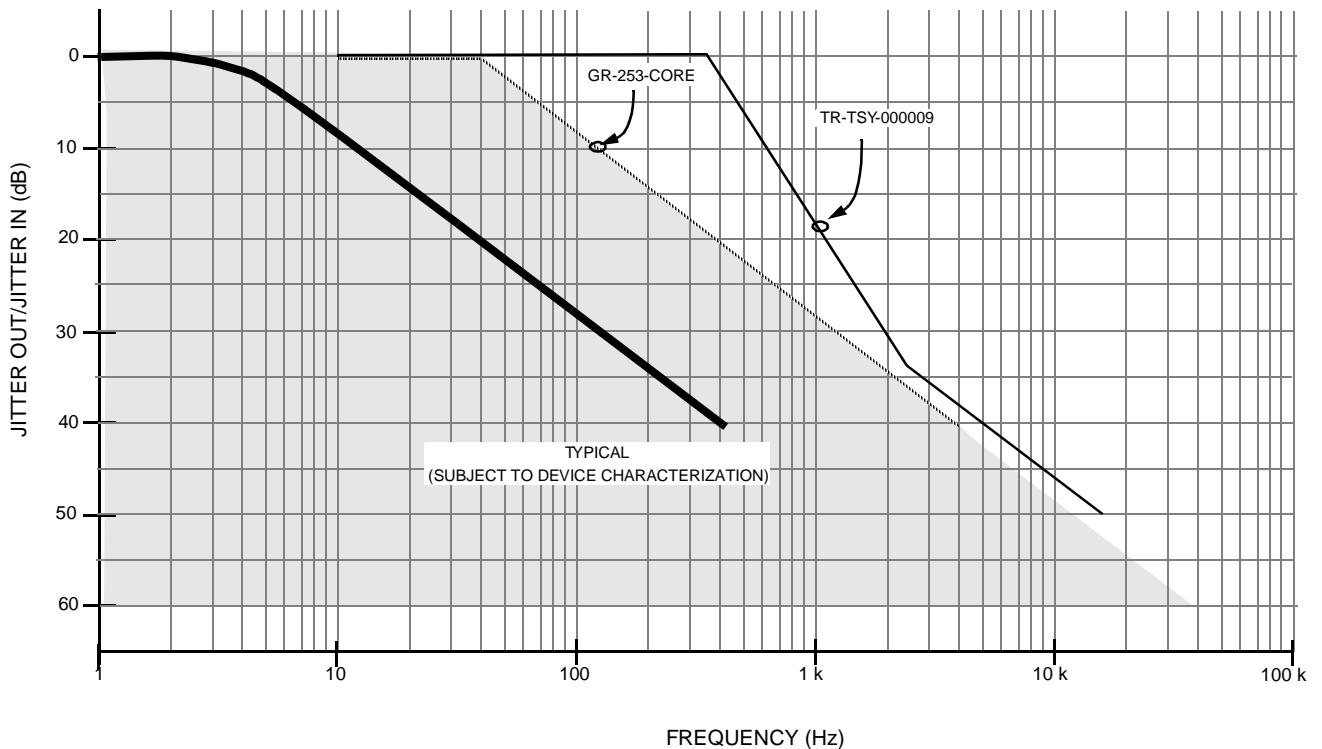
The jitter attenuator is placed in the LIU receive path by setting JAR = 1 (register LIU\_REG3, bit 0). The jitter attenuator is selected in the LIU transmit path by setting JAT = 1 (register LIU\_REG3, bit 1). When JAR = 1 and JAT = 1 or when JAR = 0 and JAT = 0, the jitter attenuator is disabled. Note that the power consumption increases slightly on a per-channel basis when the jitter attenuator is active. The reset default case is JAR = JAT = 0.

Line Interface Unit: Jitter Attenuator (continued)



5-5264(F)

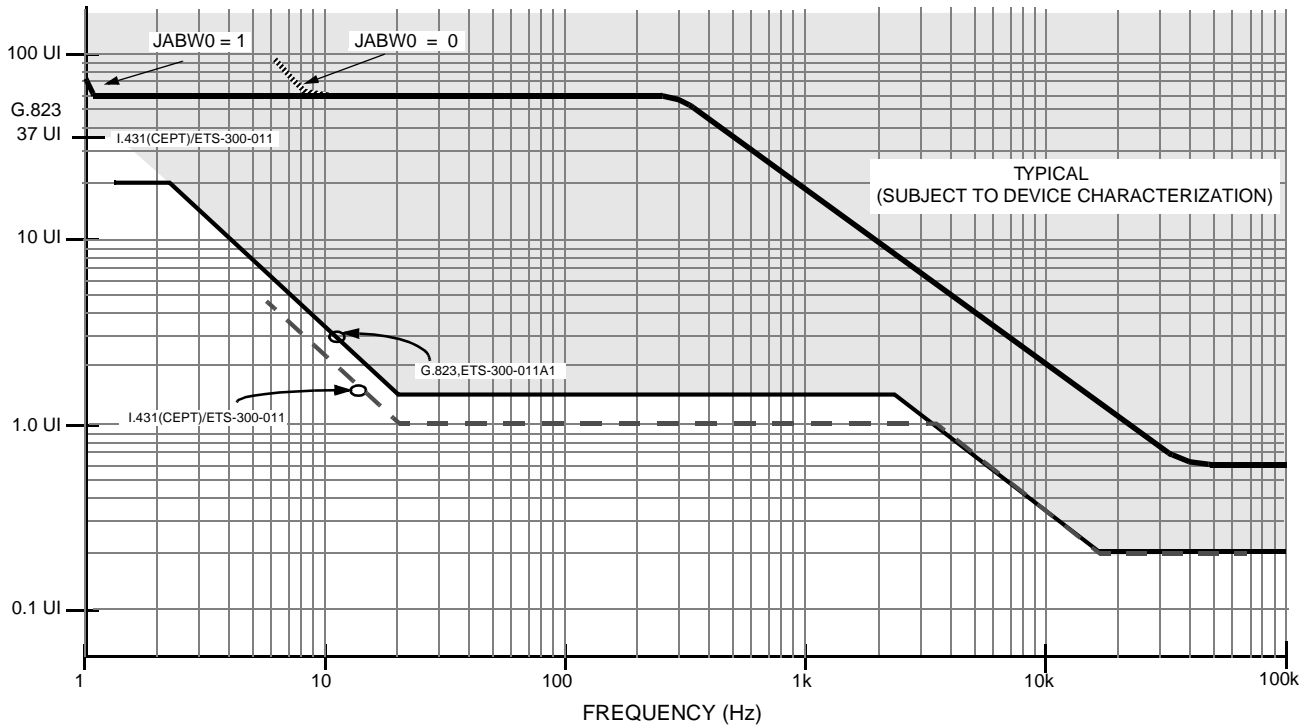
Figure 12. T1/DS1 Receiver Jitter Accommodation with Jitter Attenuator



5-5265(F)r.1

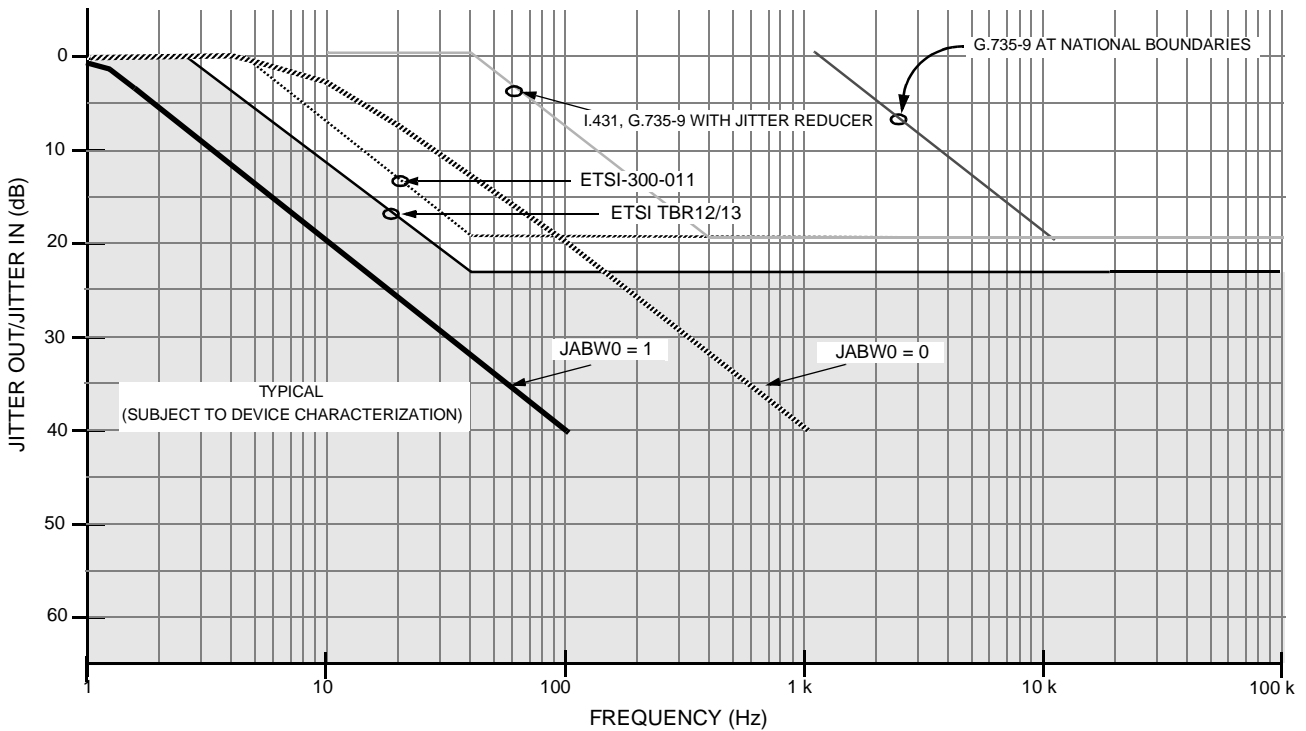
Figure 13. T1/DS1 Jitter Transfer of the Jitter Attenuator

Line Interface Unit: Jitter Attenuator (continued)



5-5266(F)r.9

Figure 14. CEPT/E1 Receiver Jitter Accommodation with Jitter Attenuator



5-5267(Fr.1)

Figure 15. CEPT/E1 Jitter Transfer of the Jitter Attenuator



## Line Interface Unit: Loopbacks

The LIU has independent loopback paths that are activated using LOOPA and LOOPB control bits (register LIU\_REG5, bits 2 to 3) as shown in Table 10. The locations of these loopbacks are illustrated in Figure 5, Block Diagram of Line Interface Unit: Single Channel.

### Full Local Loopback (FLLOOP)

A full local loopback (FLLOOP) connects the LIU transmit driver input to the receive analog front-end circuitry. Valid transmit output data continues to be sent to the network. If the LIU transmitter AIS signal (all-ones signal) is sent to the network, by setting the XLAIS bit (register LIU\_REG5, bit 1), the looped data is not affected. The ALOS alarm continues to monitor the receive line interface signal (RTIP and RRING) while the DLOS alarm monitors the looped data.

See Digital Loss of Signal (DLOS) Alarm section on page 26 regarding the behavior of the DLOS alarm upon activation of FLLOOP.

### Remote Loopback (RLOOP)

A remote loopback (RLOOP) connects the recovered clock and retimed data to the LIU transmitter at the framer interface and sends the data back to the line. The LIU receiver front end, clock/data recovery, encoder/decoder (if enabled), jitter attenuator (if enabled), and LIU transmitter driver circuitry are all exercised during this loopback. The transmit clock, transmit data, and the transmit AIS inputs are ignored. Valid receive output data continues to be sent to RPD-LIU and RND-LIU. This loopback mode is very helpful in isolating failures between systems.

See Loss of LIU Transmit Clock (LOTC) Alarm section and LIU Transmitter Driver Monitor on page 33 regarding the behavior of the LOTC and TDM alarms upon activation and deactivation of RLOOP.

### Digital Local Loopback (DLLOOP)

A digital local loopback (DLLOOP) connects the transmit clock and data through the encoder/decoder pair to the receive clock and data output pins. This loopback is operational regardless of whether the encoder/decoder pair is enabled or disabled. The alarm indication signal can be transmitted (XLAIS = 1) without any effect on the looped signal.

Table 11. Loopback Control

Operation	Symbol	LOOPA	LOOPB
Normal <sup>1</sup>	—	0	0
Full Local Loopback	FLLOOP <sup>2</sup>	0	1
Remote Loopback	RLOOP <sup>3</sup>	1	0
Digital Local Loopback	DLLOOP	1	1

1. The reset default condition is LOOPA = LOOPB = 0 (no loopback).
2. During the transmit AIS condition, the looped data will be the transmitted data from the framer or system interface and not the all ones signal.
3. Transmit AIS request is ignored.

## Line Interface Unit: Other Features

### LIU Powerdown (PWRDN)

Each LIU channel has an independent powerdown mode controlled by PWRDN (register LIU\_REG5, bit 0). This provides power savings for systems which use backup channels. If PWRDN = 1, the corresponding LIU channel will be in a standby mode consuming only a small amount of power. It is recommended that the alarm registers for the powered down LIU channel be disabled by setting ALOSIE = DLOSIE = TDMIE = LOTCIE = 0 (register LIU\_REG1, bits 0—3). If an LIU channel in powerdown mode needs to be placed back into service, the channel should be turned on (PWRDN = 0) approximately 5 ms before data is applied.

### Loss of Framer Receive Line Clock (LOFRM-RLCK Pin)

The LOFRMRLCK (pin 2/38) is set when the internal framer receive line clock is absent. During this alarm condition, the clock recovery and jitter attenuator functions are automatically disabled. If JAR = 1, the RLCK-LIU, RPD-LIU, RND-LIU, and DLOS signals will be unknown.

### In-Circuit Testing and Driver High-Impedance State ( $\overline{3\text{-STATE}}$ )

If  $\overline{3\text{-STATE}}$  (pin 42/140) is activated ( $\overline{3\text{-STATE}} = 0$ ), the outputs TTIP, TRING, RDY\_D $\overline{TACK}$ , INTERRUPT, and AD[7:0] are placed in a high-impedance state. The TTIP and TRING outputs have a limiting high-impedance capability of approximately 8 k $\Omega$ .

## Line Interface Unit: Other Features

(continued)

### LIU Delay Values

The transmit coder has 5 UI delay whether it is in the path or not and whether it is B8ZS or HDB3. Its delay is only removed when in single-rail mode. The remainder of the transmit path has 4.6 UI delay. The receive decoder has five UI delay whether it is in the path or not and whether it is B8ZS or HDB3. Its delay is only removed when in single-rail mode or CDR = 0. The equalizer plus slicer delay is nearly 0 UI delay. The jitter attenuator delay is nominally 33 UI but can be 2 UI—64 UI depending on state. The digital phase-locked loop used for timing recovery has 8 UI delay.

### SYSCK Reference Clock

The LIU requires an externally applied clock, SYSCK pins 3 and 35, for the clock and data recovery function and the jitter attenuation option. SYSCK must be a continuously active (i.e., ungapped, unjittered, and unswitched) and an independent reference clock such as from an external system oscillator or system clock for proper operation. It must not be derived from any recovered line clock (i.e., from RLCK or any synthesized frequency of RLCK).

SYSCK may be supplied in one of two formats. The format is selected for each channel by  $\overline{\text{CKSEL}}$  pins 48 and 133. For  $\overline{\text{CKSEL}} = 1$ , a clock at 16x the primary line data rate clock (24.704 MHz for DS1 and 32.768 MHz for CEPT) is applied to SYSCK. For  $\overline{\text{CKSEL}} = 0$ , a primary line data rate clock (1.544 MHz for DS1 and 2.048 MHz for CEPT) is applied to SYSCK.

The  $\overline{\text{CKSEL}}$  pin has an internal pull-up resistor allowing the pin to be left open, i.e., a no connect, in applications using a 16x reference clock and pulled down to ground for applications using a primary line data rate clock.

#### 16x SYSCK Reference Clock

The specifications for SYSCK using a 16x reference clock are defined in Table 12. The 16x reference clock is selected when  $\overline{\text{CKSEL}} = 1$ .

**Table 12. SYSCK (16x,  $\overline{\text{CKSEL}} = 1$ ) Timing Specifications**

Parameter	Value			Unit
	Min	Typ	Max	
Frequency				
DS1	—	24.704	—	MHz
CEPT	—	32.768	—	MHz
Range*, <sup>†</sup>	-100	—	100	ppm
Duty Cycle	40	—	60	%

\* When JABW0 = 1 and the jitter attenuator is used in the receive data path, the tolerance on SYSCK should be tightened to  $\pm 20$  ppm in order to meet the jitter accommodation requirements of TBR12/13 as given in G.823 for line data rates of  $\pm 50$  ppm.

<sup>†</sup> If SYSCK is used as the source for AIS (see LIU Transmitter Alarm Indication Signal Generator (XLAIS)), it must meet the nominal transmission specifications of 1.544 MHz  $\pm$  32 ppm for DS1 (T1) or 2.048 MHz  $\pm$  50 ppm for CEPT (E1).

### Primary Line Rate SYSCK Reference Clock and Internal Reference Clock Synthesizer

In some applications, it is more desirable to provide a reference clock at the primary data rate. In such cases, the LIU can utilize an internal 16x clock synthesizer allowing the SYSCK pin to accept a primary data rate clock. The specifications for SYSCK using a primary rate reference clock are defined in Table 13.

**Table 13. SYSCK (1x,  $\overline{\text{CKSEL}} = 0$ ) Timing Specifications**

Parameter	Value			Unit
	Min	Typ	Max	
Frequency				
DS1	—	1.544	—	MHz
CEPT	—	2.048	—	MHz
Range*, <sup>†</sup>	-100	—	100	ppm
Duty Cycle	40	—	60	%
Rise and Fall Times (10%—90%)	—	—	5	ns

\* When JABW0 = 1 and the jitter attenuator is used in the receive data path, the tolerance on SYSCK should be tightened to  $\pm 20$  ppm in order to meet the jitter accommodation requirements of TBR12/13 as given in G.823 for line data rates of  $\pm 50$  ppm.

<sup>†</sup> If SYSCK is used as the source for AIS (see LIU Transmitter Alarm Indication Signal Generator (XLAIS)), it must meet the nominal transmission specifications of 1.544 MHz  $\pm$  32 ppm for DS1 (T1), or 2.048 MHz  $\pm$  50 ppm for CEPT (E1).

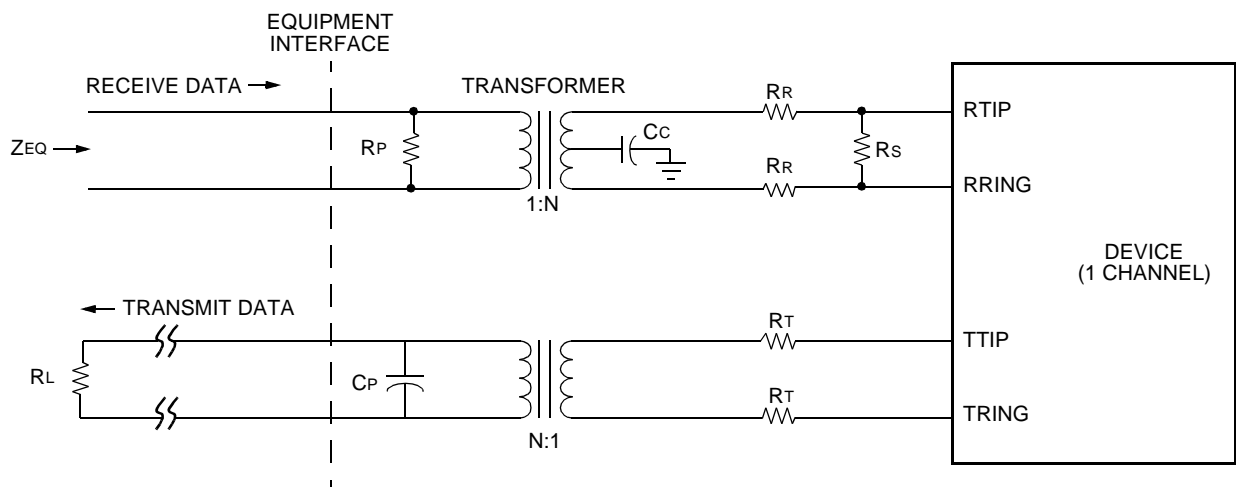
### SYCK Reference Clock (continued)

The data rate reference clock and the internal clock synthesizer is selected when  $CKSEL = 0$ . In this mode, a valid and stable data rate reference clock must be applied to the SYCK pin before and during the time a hardware reset is activated ( $RESET = 0$ ). The reset must be held active for a minimum of two data rate clock periods to ensure proper resetting of the clock synthesizer circuit. Upon the deactivation of the reset pin ( $RESET = 1$ ), the LIU will extend the reset condition internally for approximately  $1/2(2^{12} - 1)$  line clock periods, or 1.3 ms for DS1 and 1 ms for CEPT after the hardware reset pin has become inactive allowing the clock synthesizer additional time to settle. No activity such as microprocessor read/write should be per-

formed during this period. The device will be operational 2.7 ms after the deactivation of the hardware reset pin. Issuing an LIU software restart (LIU\_REG2 bit 5 (RESTART) = 1) does not impact the clock synthesizer circuit.

### Line Interface Unit: Line Interface Networks

The transmit and receive tip and ring connections provide a matched interface to the line cable when used with a proper matching network. The diagram in Figure 16 shows the appropriate external components to interface to the cable for a single transmit/receive channel. The component values are summarized in Table 14, based on the specific application.



5-3693(F).d

Figure 16. Line Termination Circuitry

## Line Interface Unit: Line Interface Networks (continued)

Table 14. Termination Components by Application<sup>1</sup>

Symbol	Name	Cable Type				Unit
		DS1 <sup>2</sup> Twisted Pair	CEPT 75 $\Omega$ <sup>3</sup> Coaxial		CEPT 120 $\Omega$ <sup>5</sup> Twisted Pair	
			Option 1 <sup>4</sup>	Option 2 <sup>5</sup>		
CC	Center Tap Capacitor	0.1	0.1	0.1	0.1	$\mu$ F
RP	Receive Primary Impedance	200	200	200	200	$\Omega$
RR	Receive Series Impedance	71.5	28.7	59	174	
RS	Receive Secondary Impedance	113	82.5	102	205	
ZEQ	Equivalent Line Termination	100	75	75	120	
	Tolerance	$\pm 4$	$\pm 4$	$\pm 4$	$\pm 4$	%
RT	Transmit Series Impedance	0	26.1	15.4	26.1	$\Omega$
RL	Transmit Load Termination <sup>6</sup>	100	75	75	120	
N	Transformer Turns Ratio	1.14	1.08	1.36	1.36	—

1. Resistor tolerances are  $\pm 1\%$ . Transformer turns ratio tolerances are  $\pm 2\%$ .

2. Use Lucent 2795B transformer.

3. For CEPT 75  $\Omega$  applications, Option 1 is recommended over Option 2 for lower device power dissipation. Option 2 increases power dissipation by 13 mW per channel when driving 50% ones data. Option 2 allows for the use of the same transformer as in CEPT 120  $\Omega$  applications.

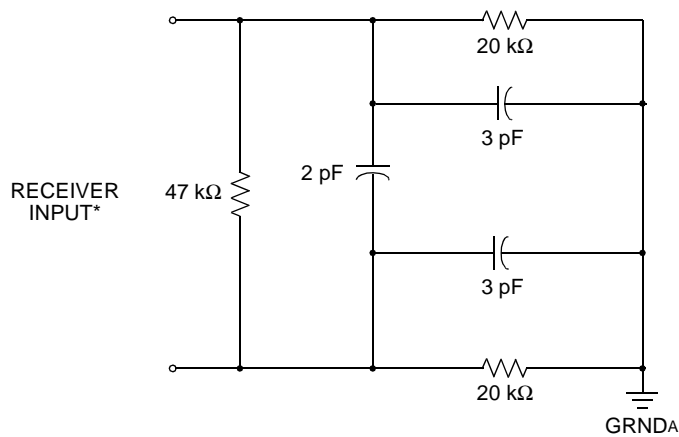
4. Use Lucent 2795D transformer.

5. Use Lucent 2795C transformer.

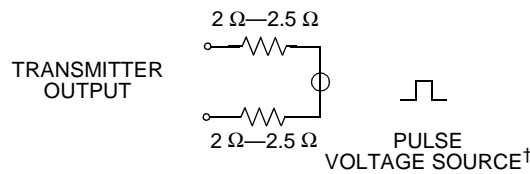
6. A  $\pm 5\%$  tolerance is allowed for the transmit load termination.

The transmit and receive tip and ring connections should be provided with a matched and protected interface to the line (i.e., terminating impedance to match the characteristic impedance of the line cable and secondary line protection). For the purpose of line protection and matching network design, the equivalent input impedance of the receiver and the equivalent output circuit of the transmitter can be assumed to be as shown in Figure 17.

Line Interface Unit: Line Interface Networks (continued)



A. Receiver Input Approximate Equivalent Circuit



B. Transmitter Output Approximate Equivalent Circuit

5-6232(F).ar.5

\* Approximately 0.3 V—2.0 V peak.

† Approximate pulse voltage source (peak).

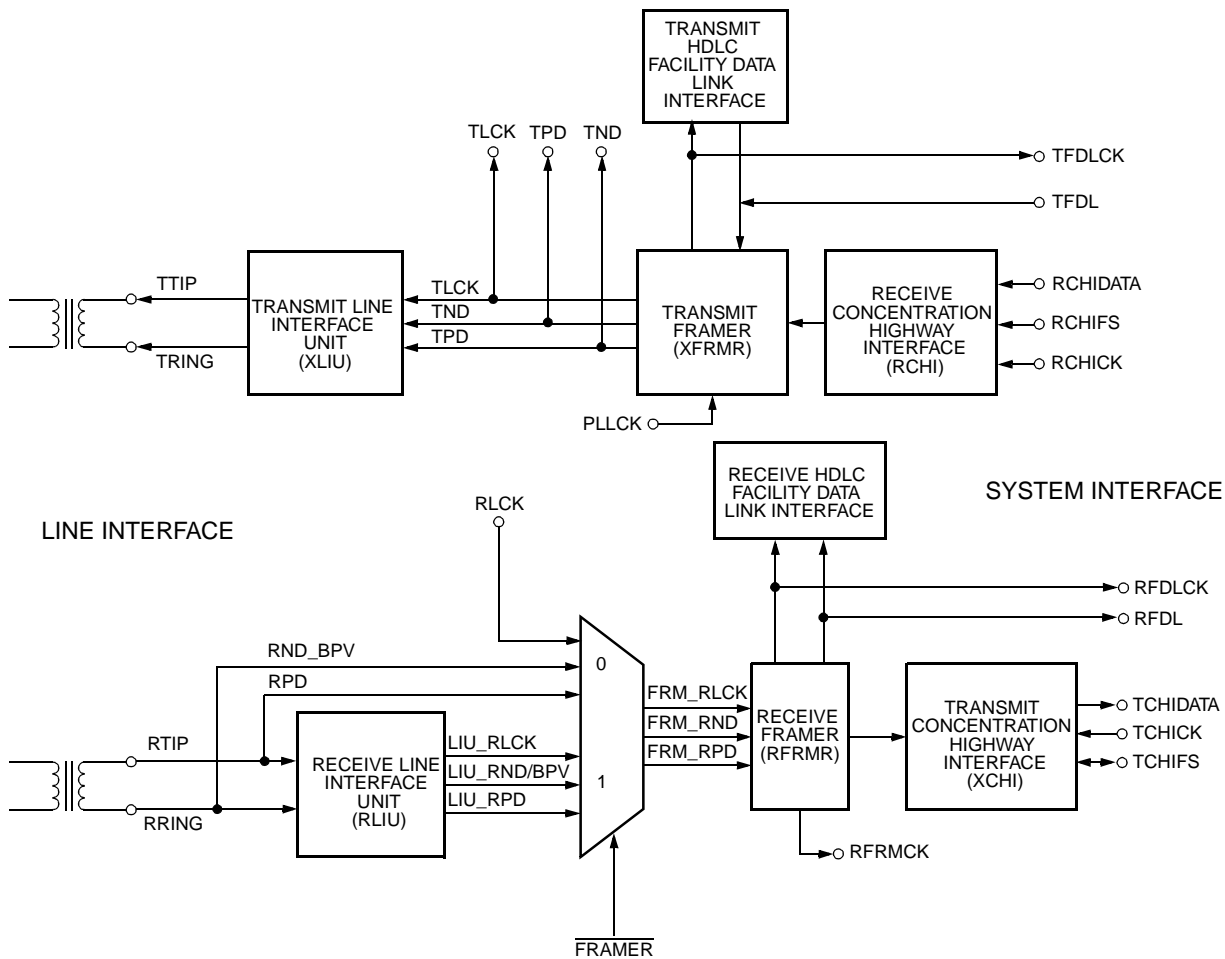
Mode	Peak	Unit
DS1	3.0	V
CEPT:		
75 Ω:		
Option 1	4.2	V
Option 2	3.4	V
120 Ω	4.2	V

Figure 17. T7630 Line Interface Unit Approximate Equivalent Analog I/O Circuits

## LIU-Framer Interface

### LIU-Framer Physical Interface

The transmit framer-LIU interface for the T7630 consists of the TND, TPD, and TLCK pins. In normal operations, TND, TPD, and TLCK are directly connected to the transmit line interface and the TPD, TND, and TLCK pins are driven from the transmit framer. The receive framer-LIU interface for the T7630 consists of the RPD, RND\_BPV, and RLCK internal signals. In normal operations, RND, RPD, and RLCK are directly sourced from the internal receive line interface unit. In the framer mode, FRAMER = 0, the RPD, RND, and RLCK pins are directly connected to the receive framer (the internal receive line interface unit is bypassed). Figure 18 illustrates the interfaces of the transmit and receive framer units.

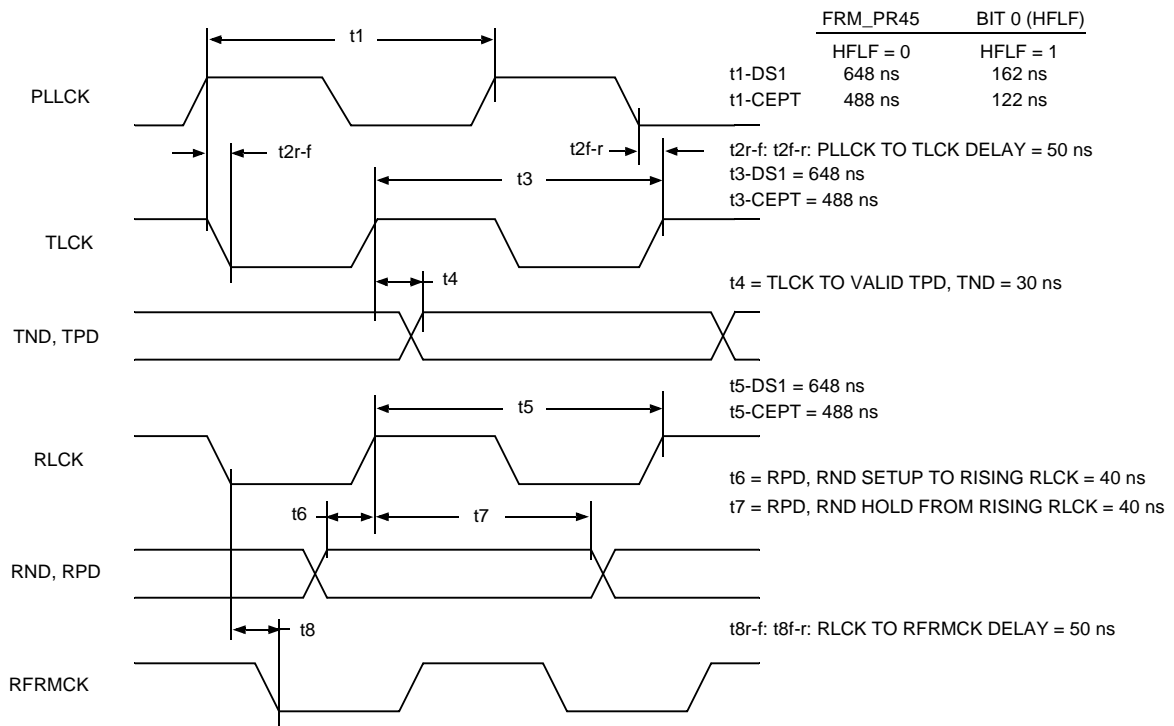


5-4557(F).br.2

Figure 18. Block Diagram of Framer Line Interface

## LIU-Framer Interface (continued)

Figure 19 shows the timing requirements for the transmit and receive framer interfaces in the LIU-bypass mode.



5-4558(F).cr.3

Figure 19. Transmit Framer TLCK to TND, TPD and Receive Framer RND, RPD to RLCK Timing

## Interface Mode and Line Encoding

### Single Rail

The default mode for the LIU-framer interface is single-rail, register LIU\_REG3 bit 3 (DUAL) = 0 and register FRM\_PR8 bit 7 = 1, bit 6 = 1, and bit 5 = 0.

In the single-rail terminator mode ( $\overline{\text{FRAMER}} = 1$ ), the LIU bipolar encoder and decoder may be enabled by setting register LIU\_REG3 bit 2 (CODE) to 1. Signals passed on the internal LIU-framer interface are data (LIU\_RPD and TPD), clock (LIU\_RLCK and TLCK), and received bipolar violations (LIU\_RND/BPV). When LIU\_RND/BPV = 1, the BPV counter increments by one on the rising edge of LIU\_RLCK.

In the single-rail framer mode ( $\overline{\text{FRAMER}} = 0$ ), external signals to and from the framer are data (RTIP\_RPD, pin 11/27 and TPD, pin 44/138), clock (RLCK, pin 47/135 and TLCK, pin 46/136), and received bipolar violations (RRING\_RND, pin 10/28). When RRING\_RND = 1, the BPV counter increments by one on the rising edge of RLCK. In this mode, TND (pin 45/137) is forced to the 0 state.

### Dual Rail

Dual-rail LIU-framer interface mode is selected by setting LIU\_REG3 bit 3 (DUAL) = 1 and by selecting one of the dual-rail framer modes of FRM\_PR8 bit 5—bit 7.

In the dual-rail terminator mode ( $\overline{\text{FRAMER}} = 1$ ), the framer bipolar encoder and decoder are enabled. Signals passed on the internal LIU-framer interface are data (LIU\_RPD, LIU\_RND, TPD, and TND), and clock (LIU\_RLCK and TLCK). When bipolar violations are detected by the framer, the BPV counter increments by one on the rising edge of LIU\_RLCK.

In the dual-rail framer mode ( $\overline{\text{FRAMER}} = 0$ ), external signals to and from the framer are data (RTIP\_RPD, pin 11/27; RRING\_RND, pin 10/28; TPD, pin 44/138; and TND, pin 45/137) and clock (RLCK, pin 47/135 and TLCK, pin 46/136). When bipolar violations are detected by the framer, the BPV counter increments by one on the rising edge of RLCK.

**LIU-Framer Interface** (continued)**DS1: Alternate Mark Inversion (AMI)**

The default line code used for T1 is alternate mark inversion (AMI). The coding scheme represents a one with a pulse (mark) on the positive or negative rail and a zero with no pulse on either rail. This scheme is shown in Table 15.

**Table 15. AMI Encoding**

Input Bit Stream	1011	0000	0111	1010
AMI Data	-0+-	0000	0+--+	-0+0

The T1 ones density rule states that:

In every 24 bits of information to be transmitted, there must be at least three pulses, and no more than 15 zeros may be transmitted consecutively [AT&T TR62411 (1988), ANS/T1.231 (1997)].

Receive ones density is monitored by the receive line interface as per T1M1.3/93-005, ITU G.775, or TR-TSY-000009.

The receive framer indicates excessive zeros upon detecting any zero string length greater than 15 contiguous zeros (no pulses on either RPD or RND). Both excessive zeros and coding violations are indicated as bipolar violations.

**DS1: Zero Code Suppression (ZCS)**

Zero code suppression is a technique known as pulse stuffing in which the seventh bit of each time slot is stuffed with a one. The line format (shown in Table 16) limits the data rate of each time slot from 64 kbits/s to 56 kbits/s.

The default ZCS format stuffs the seventh bit of those ALL-ZERO time slots programmed for robbed-bit signaling (as defined in the signaling control registers with the F and G bits).

The receive framer indicates excessive zeros upon detecting any zero string length greater than fifteen contiguous zeros (no pulses on either RPD or RND). Both excessive zeros and coding violations are indicated as bipolar violations.

**Table 16. DS1 ZCS Encoding**

Input Bit Stream	00000000	01010000	00000000	00000000
ZCS Data (Framer Mode)	00000010	01010010	00000010	00000010
T7630 Default ZCS	00000010	01010000	00000000 (data time slot remains clear)	00000010

**DS1: Binary 8 Zero Code Suppression (B8ZS)**

Clear channel transmission can be accomplished using Binary 8 Zero Code Suppression (B8ZS). Eight consecutive zeros are replaced with the B8ZS code. This code consists of two bipolar violations in bit positions four and seven and valid bipolar marks in bit positions five and eight. The receiving end recognizes this code and replaces it with the original string of eight zeros.

The receive framer indicates excessive zeros upon detecting a block of eight or more consecutive zeros (no pulses on either RPD or RND). Both excessive zeros and coding violations are indicated as bipolar violations.



## LIU-Framer Interface (continued)

Table 17 shows the encoding of a string of zeros using B8ZS. B8ZS is recommended when ESF format is used. V represents a violation of the bipolar rule, and B represents an inserted pulse conforming to the AMI rule.

**Table 17. DS1 B8ZS Encoding**

Bit Positions	1	2	3	4	5	6	7	8	—	—	—	1	2	3	4	5	6	7	8
Before B8ZS	0	0	0	0	0	0	0	0	1	0	1	0	0	0	0	0	0	0	0
After B8ZS	0	0	0	V	B	0	V	B	B	0	B	0	0	0	V	B	0	V	B

## CEPT: High-Density Bipolar of Order 3 (HDB3)

The line code used for CEPT is described in ITU Rec. G.703 Section 6.1 as high-density bipolar of order 3 (HDB3). HDB3 uses a substitution code that acts on strings of four zeros. The substitute HDB3 codes are 000V and B00V, where V represents a violation of the bipolar rule and B represents an inserted pulse conforming to the AMI rule defined in ITU Rec. G.701, item 9004. The choice of the B00V or 000V is made so that the number of B pulses between consecutive V pulses is odd. In other words, successive V pulses are of alternate polarity so that no direct current (dc) component is introduced. The substitute codes follow each other if the string of zeros continues. The choice of the first substitute code is arbitrary. A line code error consists of two pulses of the same polarity that is not defined as one of the two substitute codes. Excessive zeros consist of any zero string length greater than four contiguous zeros. Both excessive zeros and coding violations are indicated as bipolar violations. An example is shown in Table 18.

**Table 18. ITU HDB3 Coding**

Input Bit Stream	1011	0000	01	0000	0000	0000	0000
HDB3-coded Data	1011	000V	01	000V	B00V	B00V	B00V
HDB3-coded Levels	-0+-	000-	0+	000+	-00-	+00+	-00-
HDB3 with 5 Double BPVs	-0+-	-000 1-BPV	0+	+00+ 3-BPV	0--- 5-BPV	+00+	-00-

## Frame Formats

The supported North American T1 framing formats are superframe (D4, SLC-96, and digital data service-DDS) and extended superframe (ESF). The device can be programmed to support the ITU-CEPT-E1 basic format with and without CRC-4 multiframe formatting. This section describes these framing formats.

## T1 Framing Structures

T1 is a digital transmission system which multiplexes twenty-four 64 kbits/s time slots (DS0) onto a serial link. The T1 system is the lowest level of hierarchy on the North American T-carrier system, as shown in Figure 20.

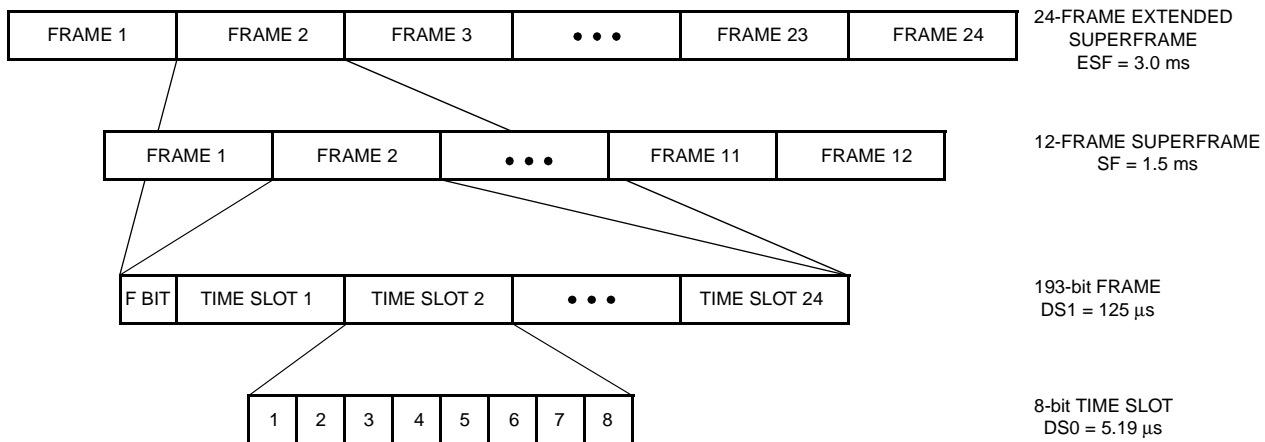
**Table 19. T-Carrier Hierarchy**

T Carrier	DS0 Channels	Bit Rate (Mbits/s)	Digital Signal Level
T1	24	1.544	DS1
T1-C	48	3.152	DS1C
T2	96	6.312	DS2
T3	672	44.736	DS3
T4	4032	274.176	DS4

**Frame Formats** (continued)

**Frame, Superframe, and Extended Superframe Definitions**

Each time slot (DS0) is an assembly of 8 bits sampled every 125  $\mu$ s. The data rate is 64 kbits/s and the sample rate is 8 kHz. Time-division multiplexing 24 DS0 time slots together produces a 192-bit (24 DSzeros) frame. A framing bit is added to the beginning of each frame to allow for detection of frame boundaries and the transport of additional maintenance information. This 193-bit frame, also referred to as a DS1 frame, is repeated every 125  $\mu$ s to yield the 1.544 Mbits/s T1 data rate. DS1 frames are bundled together to form superframes or extended superframes.



5-4559(F).br.1

**Figure 20. T1 Frame Structure**

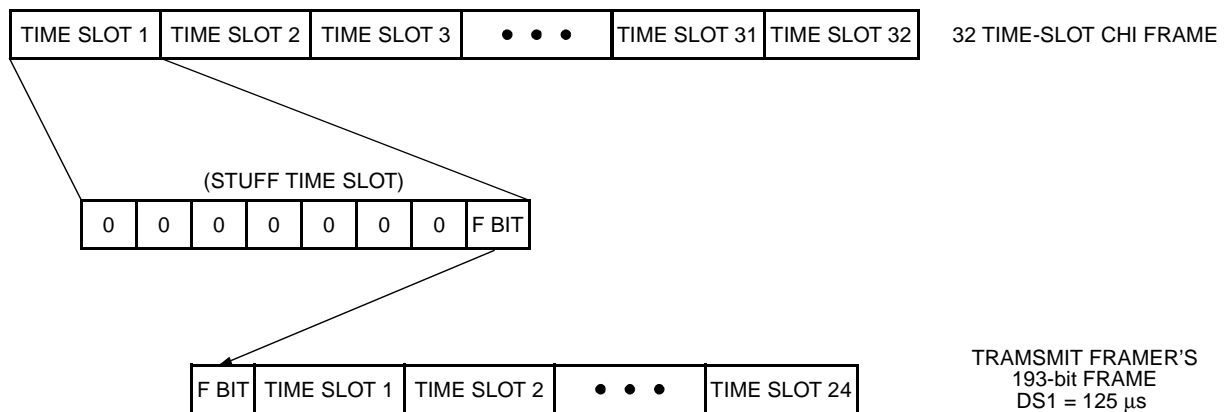
**Transparent Framing Format**

The transmit framer can be programmed to transparently transmit 193 bits of system data to the line. The system interface must be programmed such that the stuffed time slots are 1, 5, 9, 13, 17, 21, 25, and 29 (FRM\_PR43 bits 2—0 must be set to 000) and either transparent framing mode one or transparent framing mode two is enabled (FRM\_PR26 bit 3 or bit 4 must be set to 1).

In transparent mode one or mode two, the transmit framer extracts from the receive system data bit 8 of time slot 1 and inserts this bit into the framing bit position of the transmit line data. The other 7 bits of the receive system time slot 1 are ignored by the transmit framer. The receive framer will extract the f-bit (or 193rd bit) of the receive line data and insert it into bit 7 of time slot one of the system data; the other bits of time slot 1 are set to 0.

Frame integrity is maintained in both the transmit and receive framer sections.

Frame Formats (continued)



5-5989(F).ar.1

Figure 21. T1 Transparent Frame Structure

In transparent framing mode 1, the receive framer is forced **not** to reframe on the receive line data. Other than bipolar violations and unframed AIS monitoring, there is **no** processing of the receive line data. The receive framer will insert the 193rd bit of the receive line data into bit 8 of time slot 1 of the transmit system data.

In transparent framing mode 2, the receive framer functions normally on receive line data. All normal monitoring of receive line data is performed and data is passed to the transmit CHI as programmed. The receive framer will insert the extracted framing bit of the receive line data into bit 8 of time slot 1 of the transmit system data. The remaining bits in time slot 1 are set to zero.

**Frame Formats** (continued)

**D4 Frame Format**

D4 superframe format consists of 12 DS1 frames. Table 20 shows the structure of the D4 superframe.

**Table 20. D4 Superframe Format**

Frame Number <sup>1</sup>	Framing Bits			Bit Used in Each Time Slot			Signaling Options		
	Bit Number <sup>2</sup>	Terminal Frame F <sub>T</sub>	Signal Frame F <sub>s</sub>	Traffic (All Channels)	Remote Alarm <sup>3</sup>	Signaling	None <sup>4</sup>	2-State	4-State
1	0	1	—	1—8	2	—	—	—	—
2	193	—	0	1—8	2	—	—	—	—
3	386	0	—	1—8	2	—	—	—	—
4	579	—	0	1—8	2	—	—	—	—
5	772	1	—	1—8	2	—	—	—	—
6 <sup>5</sup>	965	—	1	1—7	2	8	—	A	A
7	1158	0	—	1—8	2	—	—	—	—
8	1351	—	1	1—8	2	—	—	—	—
9	1544	1	—	1—8	2	—	—	—	—
10	1737	—	1	1—8	2	—	—	—	—
11	1930	0	—	1—8	2	—	—	—	—
12 <sup>5</sup>	2123	—	0	1—7	2	8	—	A	B

1. Frame 1 is transmitted first.
2. Following ANS/T1.403, the bits are numbered 0—2315. Bit 0 is transmitted first. Bits in each DS0 time slot are numbered 1 through 8, and bit 1 of each DS0 is transmitted first.
3. The remote alarm forces bit 2 of each time slot to a 0-state when enabled. The Japanese remote alarm forces framing bit 12 (bit number 2123) to a 1-state when enabled.
4. Signaling option none uses bit 8 for traffic data.
5. Frames 6 and 12 contain the robbed-bit signaling information in bit 8 of each voice channel, when enabled.

The receive framer uses both the F<sub>T</sub> and F<sub>s</sub> framing bits during its frame alignment procedure.

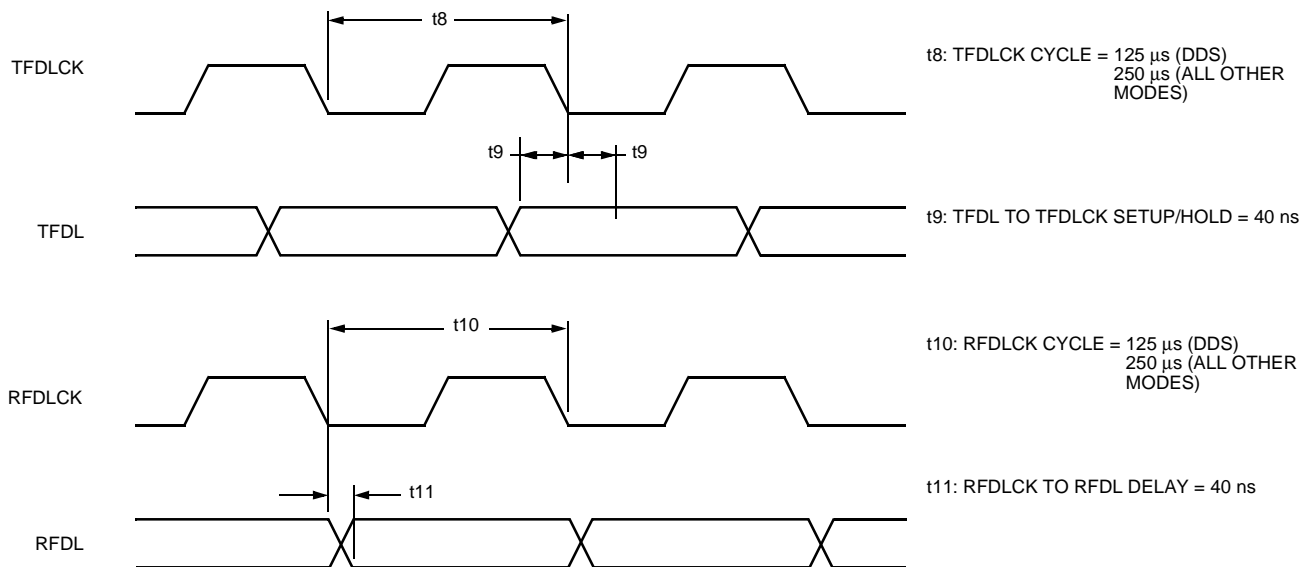
**Digital Data Service (DDS) Frame Format**

The superframe format for DDS is the same as that given for D4. DDS is intended to be used for data-only traffic, and as such, the system should ensure that the framer is in the nonsignaling mode. DDS uses time slot 24 (FAS channel) to transmit the remote frame alarm and data link bits. The format for time slot 24 is shown in Table 21. The facility data link timing is shown in Figure 22 below.

**Table 21. DDS Channel-24 Format**

Time Slot 24 =	10111YD0
Y = (bit 6)	Remote frame alarm: 1 = no alarm state; 0 = alarm state
D = (bit 7)	Data link bits (8 kbits/s)

Frame Formats (continued)

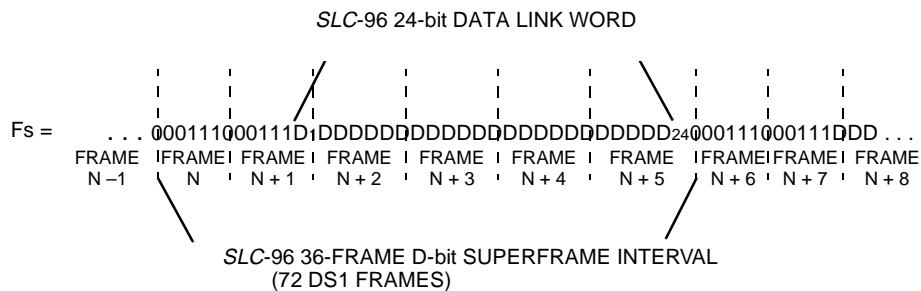


5-3910(F).cr.1

Figure 22. T7630 Facility Data Link Access Timing of the Transmit and Receive Framers Sections

SLC-96 Frame Format

SLC-96 superframe format consists of 12 DS1 frames similar to D4. The FT pattern is exactly the same as D4. The Fs pattern uses that same structure as D4 but also incorporates a 24-bit data link word as shown below.



5-6421(F)r.1

Figure 23. Fs Pattern SLC-96 Superframe Format

**Frame Formats** (continued)

**External TFDL Source.** Data may be inserted and extracted from the *SLC-96* data link from either the external facility data link (TFDL) ports or the *SLC-96* data stack. Source selection is controlled by FRM\_PR21 bit 6 and FRM\_PR29 bit 5—bit 7.

The transmit framer synchronizes on TFDL = 000111000111 . . . and forces a superframe boundary based on this pattern. When sourcing an external bit stream, it is the system's responsibility to ensure that TFDL data contain the pattern of 000111000111 . . . . The D pattern sequence is shown in Table 22. Table 23 shows the encoding for the line switch field.

**Table 22. SLC-96 Data Link Block Format**

Data Link Block	Bit Definition	Bit Value
D1 (leftmost bit)	C1—concentrator bit	0 or 1
D2	C2—concentrator bit	0 or 1
D3	C3—concentrator bit	0 or 1
D4	C4—concentrator bit	0 or 1
D5	C5—concentrator bit	0 or 1
D6	C6—concentrator bit	0 or 1
D7	C7—concentrator bit	0 or 1
D8	C8—concentrator bit	0 or 1
D9	C9—concentrator bit	0 or 1
D10	C10—concentrator bit	0 or 1
D11	C11—concentrator bit	0 or 1
D12	Spoiler bit 1	0
D13	Spoiler bit 2	1
D14	Spoiler bit 3	0
D15	M1—maintenance bit	0 or 1
D16	M2—maintenance bit	0 or 1
D17	M3—maintenance bit	0 or 1
D18	A1—alarm bit	0 or 1
D19	A2—alarm bit	0 or 1
D20	S1—line-switch bit	Defined in Table 23
D21	S2—line-switch bit	Defined in Table 23
D22	S3—line-switch bit	Defined in Table 23
D23	S4—line-switch bit	Defined in Table 23
D24 (rightmost bit)	Spoiler bit 4	1

Frame Formats (continued)

Table 23. SLC-96 Line Switch Message Codes

S1	S2	S3	S4	Code Definition
1	1	1	1	Idle
1	1	1	0	Switch line A receive
1	1	0	1	Switch line B transmit
1	1	0	0	Switch line C transmit
1	0	1	0	Switch line D transmit
0	1	0	1	Switch line B transmit and receive
0	1	0	0	Switch line B transmit and receive
0	0	1	0	Switch line B transmit and receive

**Internal SLC-96 Stack Source.** Optionally, a SLC-96 FDL stack may be used to insert and correspondingly extract the FDL information in the SLC-96 frame format.

The transmit SLC-96 FDL bits are sourced from the transmit framer SLC-96 FDL stack. The SLC-96 FDL stack (see FRM\_PR31—FRM\_PR35) consists of five 8-bit registers that contain the SLC-96 FS and D-bit information as shown in Table 24. The transmit stack data is transmitted to the line when the stack enable mode is active in the parameter registers FRM\_PR21 bit 6 = 1 and FRM\_PR29 bit 5—bit 7 = x10 (binary).

The receive SLC-96 stack data is received when the receive framer is in the superframe alignment state. In the SLC-96 mode, while in the loss of superframe alignment (LSFA) state, updating of the receive framer SLC-96 stack is halted and neither the receive stack interrupt nor receive stack flag are asserted.

Table 24. Transmit and Receive SLC-96 Stack Structure

Register Number	Bit 7 (MSB)	Bit 6	Bit 5	Bit 4	Bit 3	Bit 2	Bit 1	Bit 0 (LSB)
1 (LSR)	0	0	0	0	0	1	1	1
2	0	0	0	0	0	1	1	1
3	C1	C2	C3	C4	C5	C6	C7	C8
4	C9	C10	C11	SPB1 = 0	SPB2 = 1	SPB3 = 0	M1	M2
5	M3	A1	A2	S1	S2	S3	S4	SPB4 = 1

Bit 5—bit 0 of the first 2 bytes of the SLC-96 FDL stack in Table 24 are transmitted to the line as the SLC-96 Fs sequence. Bit 7 of the third stack register is transmitted as the C1 bit of the SLC-96 D sequence. The spoiler bits (SPB1, SPB2, SPB3, and SPB4) are taken directly from the transmit stack. The protocol for accessing the SLC-96 stack information for the transmit and receive framer is described below. The transmit SLC-96 stack must be written with valid data when transmitting stack data.

The device indicates that it is ready for an update of its transmit stack by setting register FRM\_SR4 bit 5 (SLC-96 transmit FDL stack ready) high. At this time, the system has about 9 ms to update the stack. Data written to the stack during this interval will be transmitted during the next SLC-96 superframe D-bit interval. By reading bit 5 in register SR4, the system clears this bit so that it can indicate the next time the transmit stack is ready. If the transmit stack is not updated, then the content of

the stack is retransmitted to the line. The start of the SLC-96 36-frame Fs interval of the transmit framer is a function of the first 2 bytes of the SLC-96 transmit stack registers. These bytes must be programmed as shown in Table 24. Programming any other state into these two registers disables the proper transmission of the SLC-96 D bits. Once programmed correctly, the transmit SLC-96 D-bit stack is transmitted synchronous to the transmit SLC-96 superframe structure.

On the receive side, the device indicates that it has received data in the receive FDL stack (registers FRM\_SR54—FRM\_SR58) by setting bit 4 in register FRM\_SR4 (SLC-96 receive FDL stack ready) high. The system then has about 9 ms to read the content of the stack before it is updated again (old data lost). By reading bit 4 in register FRM\_SR4, the system clears this bit so that it can indicate the next time the receive stack is ready. As explained above, the SLC-96 receive stack is not updated when superframe alignment is lost.

**Frame Formats** (continued)**Extended Superframe Format**

The extended superframe format consists of 24 DS1 frames. The F bits are used for frame alignment, superframe alignment, error checking, and facility data link transport. Table 25 shows the ESF frame format.

**Table 25. Extended Superframe (ESF) Structure**

Frame Number <sup>1</sup>	Frame Bit				Bit Use in Each Time Slot		Signaling Option <sup>2</sup>			
	Bit Number <sup>3</sup>	FE	DL	CRC-6 <sup>4</sup>	Traffic	Signaling	None <sup>5</sup>	2-State	4-State	16-State
1	0	—	D	—	1—8	—	—	—	—	—
2	193	—	—	C1	1—8	—	—	—	—	—
3	386	—	D	—	1—8	—	—	—	—	—
4	579	0	—	—	1—8	—	—	—	—	—
5	772	—	D	—	1—8	—	—	—	—	—
6 <sup>6</sup>	965	—	—	C2	1—7	8	—	A	A	A
7	1158	—	D	—	1—8	—	—	—	—	—
8	1351	0	—	—	1—8	—	—	—	—	—
9	1544	—	D	—	1—8	—	—	—	—	—
10	1737	—	—	C3	1—8	—	—	—	—	—
11	1930	—	D	—	1—8	—	—	—	—	—
12 <sup>6</sup>	2123	1	—	—	1—7	8	—	A	B	B
13	2316	—	D	—	1—8	—	—	—	—	—
14	2509	—	—	C4	1—8	—	—	—	—	—
15	2702	—	D	—	1—8	—	—	—	—	—
16	2895	0	—	—	1—8	—	—	—	—	—
17	3088	—	D	—	1—8	—	—	—	—	—
18 <sup>6</sup>	3281	—	—	C5	1—7	8	—	A	A	C
19	3474	—	D	—	1—8	—	—	—	—	—
20	3667	1	—	—	1—8	—	—	—	—	—
21	3860	—	D	—	1—8	—	—	—	—	—
22	4053	—	—	C6	1—8	—	—	—	—	—
23	4246	—	D	—	1—8	—	—	—	—	—
24 <sup>6</sup>	4439	1	—	—	1—7	8	—	A	B	D

1. Frame 1 is transmitted first.
2. The remote alarm is a repeated 1111111100000000 pattern in the DL when enabled.
3. Following ANS/T1.403, the bits are numbered 0—4361. Bit 0 is transmitted first. Bits in each DS0 time slot are numbered 1 through 8, and bit 1 of each DS0 is transmitted first.
4. The C1 to C6 bits are the cyclic redundancy check-6 (CRC-6) checksum bits calculated over the previous extended superframe.
5. Signaling option none uses bit 8 for traffic data.
6. Frames 6, 12, 18, and 24 contain the robbed-bit signaling information in bit 8 of each voice channel, when enabled.

The ESF format allows for in-service error detection and diagnostics on T1 circuits. ESF format consist of 24 framing bits: six for framing synchronization (2 kbits/s); six for error detection (2 kbits/s); and 12 for in-service monitoring and diagnostics (4 kbits/s).



## Frame Formats (continued)

Cyclic redundancy checking is performed over the entire ESF data payload (4,608 data bits, with all 24 framing bits (FE, DL, CRC-6) set to one during calculations). The CRC-6 bits transmitted in ESF will be determined as follows:

- The check bits, c1 through c6, contained in  $ESF(n + 1)$  will always be those associated with the contents of  $ESF(n)$ , the immediately preceding ESF. When there is no ESF immediately preceding, the check bits may be assigned any value.
- For the purpose of CRC-6 calculation only, every F bit in  $ESF(n)$  is set to 1.  $ESF(n)$  is altered in no other way.
- The resulting 4632 bits of  $ESF(n)$  are used, in order of occurrence, to construct a polynomial in  $x$  such that the first bit of  $ESF(n)$  is the coefficient of the term  $x^{4631}$  and the last bit of  $ESF(n)$  is the coefficient of the term  $x^0$ .
- The polynomial is multiplied by the factor  $x^6$ , and the result is divided, modulo 2, by the generator polynomial  $x^6 + x + 1$ . The coefficients of the remainder polynomial are used, in order of occurrence, as the ordered set of check bits, c1 through c6, that are transmitted in  $ESF(n + 1)$ . The ordering is such that the coefficient of the term  $x^5$  in the remainder polynomial is check bit c1 and the coefficient of the term  $x^0$  in the remainder polynomial is check bit c6.

The ESF remote frame alarm consists of a repeated eight ones followed by eight zeros transmitted in the data link position of the framing bits.

## T1 Loss of Frame Alignment (LFA)

Loss of frame alignment condition for the superframe or the extended superframe formats is caused by the inability of the receive framer to maintain the proper sequence of frame bits. The number of errored framing bits required to detect a loss of frame alignment is given in Table 26.

**Table 26. T1 Loss of Frame Alignment Criteria**

Format	Number of Errored Framing Bits That Will Cause a Loss of Frame Alignment Condition
D4	2 errored frame bits (FT or Fs) out of 4 consecutive frame bits if FRM_PR10 bit 2 = 1. 2 errored FT bits out of 4 consecutive FT bits if PRM_PR10 bit 2 = 0.
SLC-96	2 errored frame bits (FT or Fs) out of 4 consecutive frame bits if FRM_PR10 bit 2 = 1. 2 errored FT bits out of 4 consecutive FT bits if FRM_PR10 bit 2 = 0.
DDS: Frame	3 errored frame bits (FT or Fs) or channel 24 FAS pattern out of 12 consecutive frame bits.
ESF	2 errored FE bits out of 4 consecutive FE bits or optionally 320 or more CRC-6 errored checksums within a one second interval if loss of frame alignment due to excessive CRC-6 errors is enabled in FRM_PR9.

The receive framer indicates the loss of frame and superframe conditions by setting the LFA and LSFA bits (FRM\_SR1 bit 0 and bit 1), respectively, in the status registers for the duration of the conditions. The local system may give indication of its LFA state to the remote end by transmitting a remote frame alarm (RFA). In addition, in the LFA state, the system may transmit an alarm indication signal (AIS) to the system interface.

**Frame Formats** (continued)**T1 Frame Recovery Alignment Algorithms**

When in a loss of frame alignment state, the receive framer searches for a new frame alignment and forces its internal circuitry to this new alignment. The receive framer's synchronization circuit inhibits realignment in T1 framing formats when repetitive data patterns emulate the T1 frame alignment patterns. T1 frame synchronization will not occur until all frame sequence emulating patterns disappear and only one valid pattern exists. The loss of frame alignment state will always force a loss of superframe alignment state. Superframe alignment is established only after frame alignment has been determined in the D4 and *SLC-96* frame format. Table 27 gives the requirements for establishing T1 frame and superframe alignment.

**Table 27. T1 Frame Alignment Procedures**

Frame Format	Alignment Procedure
D4: Frame	Using the FT frame position as the starting point, frame alignment is established when 24 consecutive FT and Fs frame bits, excluding the twelfth Fs bit, (48 total frames) are received error-free. Once frame alignment is established, then superframe alignment is determined.
D4: Superframe	After frame alignment is determined, two valid superframe bit sequences using the Fs bits must be received error-free to establish superframe alignment.
SLC-96: Frame	Using the FT frame position as the starting point, frame alignment is established when 24 consecutive FT frame bits (48 total frames) are received error-free. Once frame alignment is established, then superframe alignment is determined.
SLC-96: Superframe	After frame alignment is determined, superframe alignment is established on the first valid superframe bit sequence 000111000111.
DDS: Frame	Using the FT frame position as the starting point, frame alignment is established when six consecutive FT/Fs frame bits and the DDS FAS in time slot 24 are received error-free. In the DDS format, there is no search for a superframe structure.
ESF	Frame and superframe alignment is established simultaneously using the FE framing bit. Alignment is established when 24 consecutive FE bits are received error-free. Once frame/superframe alignment is established, the CRC-6 receive monitor is enabled.

## Frame Formats (continued)

### T1 Robbed-Bit Signaling

To enable signaling, register FRM\_PR44 bit 0 (TSIG) must be set to 0.

Robbed-bit signaling, used in either ESF or SF framing formats, robs the eighth bit of the voice channels of every sixth frame. The signaling bits are designated A, B, C, and D, depending on the signaling format used. The robbed-bit signaling format used is defined by the state of the F and G bits in the signaling registers (see DS1: Robbed-Bit Signaling). The received channel robbed-bit signaling format is defined by the corresponding transmit signaling F and G bits. Table 28 shows the state of the transmitted signaling bits as a function of the F and G bits.

**Table 28. Robbed-Bit Signaling Options**

G	F	Robbed-Bit Signaling Format	Frame			
			6	12	18	24
0	0	ESF: 16-State SLC*: 9-State, 16-State	A	B	C	D
0	1	4-State	A	B	A	B
1	0	Data channel (no signaling)	PAYLOAD DATA			
1	1	2-State	A	A	A	A

\* See register FRM\_PR43 bit 3 and bit 4.

The robbed-bit signaling format for each of the 24 T1 transmit channels is programmed on a per-channel basis by setting the F and G bits in the transmit signaling direction.

### SLC-96 9-State Signaling

SLC-96 9-state signaling state is enabled by setting both the F and G bits in the signaling registers to the 0 state, setting the SLC-96 signaling control register FRM\_PR43 bit 3 to 1, and setting register FRM\_PR44 bit 0 to 0. Table 29 shows the state of the transmitted signaling bits to the line as a function of the A, B, C and D bit settings in the transmit signaling registers. In Table 29 below, X indicates either a 1 or a 0 state, and T indicates a toggle, transition from either 0 to 1 or 1 to 0, of the transmitted signaling bit.

In the line receive direction, this signaling mode functions identically to the preceding transmit path description.

**Table 29. SLC-96 9-State Signaling Format**

Transmit Signaling Register Settings					Transmit to the Line Signal Bits	
SLC-96 Signaling States	A	B	C	D	A = f(A,C)	B = f(B,D)
State 1	0	0	0	0	0	0
State 2	0	0	0	1	0	T
State 3	0	1	0	X	0	1
State 4	0	0	1	0	T	0
State 5	0	0	1	1	T	T
State 6	0	1	1	X	T	1
State 7	1	0	X	0	1	0
State 8	1	0	X	1	1	T
State 9	1	1	X	X	1	1

**Frame Formats** (continued)**16-State Signaling**

The default signaling mode while in *SLC-96* framing is 16-state signaling. *SLC-96* 16-state signaling is enabled by setting both the F and G bits in the signaling registers to the 0 state, setting the *SLC-96* signaling control register FRM\_PR43 bit 3 and bit 4 to 0, and setting register FRM\_PR44 bit 0 to 0. Table 30 shows the state of the transmitted signaling bits to the line as a function of the A, B, C, and D bit settings in the transmit signaling registers. In Table 30 below, under Transmit to the Line Signal Bits, A and B are transmitted into one *SLC-96* 12-frame signaling superframe, while A' and B' are transmitted into the next successive *SLC-96* 12-frame signaling superframe.

In the line receive direction, this signaling mode functions identically to the preceding transmit path description.

The signaling mapping of this 16-state signaling mode is equivalent to the mapping of the *SLC-96* 9-state signaling mode.

**Table 30. 16-State Signaling Format**

Transmit Signaling Register Settings					Transmit to the Line Signal Bits			
<i>SLC-96</i> Signaling States	A	B	C	D	A	B	A'	B'
State 0	0	0	0	0	0	0	0	0
State 1	0	0	0	1	0	0	0	1
State 2	0	0	1	0	0	0	1	0
State 3	0	0	1	1	0	0	1	1
State 4	0	1	0	0	0	1	0	0
State 5	0	1	0	1	0	1	0	1
State 6	0	1	1	0	0	1	1	0
State 7	0	1	1	1	0	1	1	1
State 8	1	0	0	0	1	0	0	0
State 9	1	0	0	1	1	0	0	1
State 10	1	0	1	0	1	0	1	0
State 11	1	0	1	1	1	0	1	1
State 12	1	1	0	0	1	1	0	0
State 13	1	1	0	1	1	1	0	1
State 14	1	1	1	0	1	1	1	0
State 15	1	1	1	1	1	1	1	1

Frame Formats (continued)

CEPT 2.048 Basic Frame, CRC-4 Time Slot 0, and Signaling Time Slot 16 Multiframe Structures

As defined in ITU Rec. G.704, the CEPT 2.048 frame, CRC-4 multiframe, and channel associated signaling multiframe structures are illustrated in Figure 24.

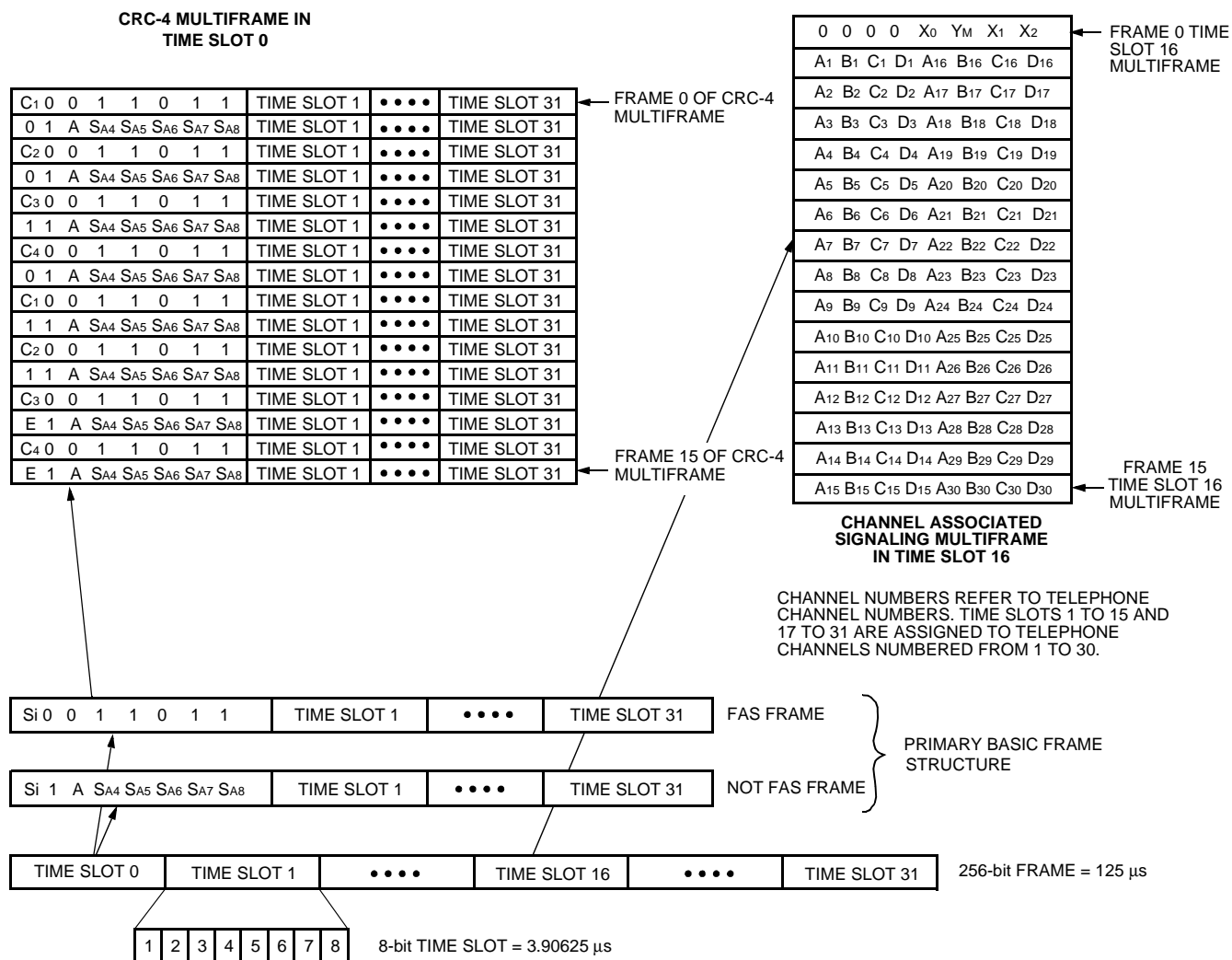


Figure 24. ITU 2.048 Basic Frame, CRC-4 Multiframe, and Channel Associated Signaling Multiframe Structures

5-4548(F).cr.1

Frame Formats (continued)

CEPT 2.048 Basic Frame Structure

The ITU Rec. G.704 Section 2.3.1 defined frame length is 256 bits, numbered 1 to 256. The frame repetition rate is 8 kHz. The allocation of bits numbered 1 to 8 of the frame is shown in Table 31.

Table 31. Allocation of Bits 1 to 8 of the FAS Frame and the NOT FAS Frame

Basic Frames	Bit 1 (MSB)	Bit 2	Bit 3	Bit 4	Bit 5	Bit 6	Bit 7	Bit 8 (LSB)
Frame Alignment Signal (FAS)	Si	0	0	1	1	0	1	1
Not Frame Alignment Signal (NOT FAS)	Si	1	A	Sa4	Sa5	Sa6	Sa7	Sa8

The function of each bit in Table 31 is described below:

- The Si bits are reserved for international use. A specific use for these bits is described in Table 32. If no use is realized, these bits should be fixed at one on digital paths crossing an international border.
- Bit 2 of the NOT FAS frames is fixed to one to assist in avoiding simulations of the frame alignment signal.
- Bit 3 of the NOT FAS is the remote alarm indication (A bit). In undisturbed operation, this bit is set to 0; in alarm condition, set to one.
- Bits 4—8 of the NOT FAS (Sa4—Sa8) may be recommended by ITU for use in specific point-to-point applications. Bit Sa4 may be used as a message-based data link for operations, maintenance, and performance monitoring. If the data link is accessed at intermediate points with consequent alterations to the Sa4 bit, the CRC-4 bits must be updated to retain the correct end-to-end path termination functions associated with the CRC-4 procedure. The receive framer does not implement the CRC-4 modifying

algorithm described in TU Rec. G.706 Annex C. Bits Sa4—Sa8, where these are not used, should be set to one on links crossing an international border.

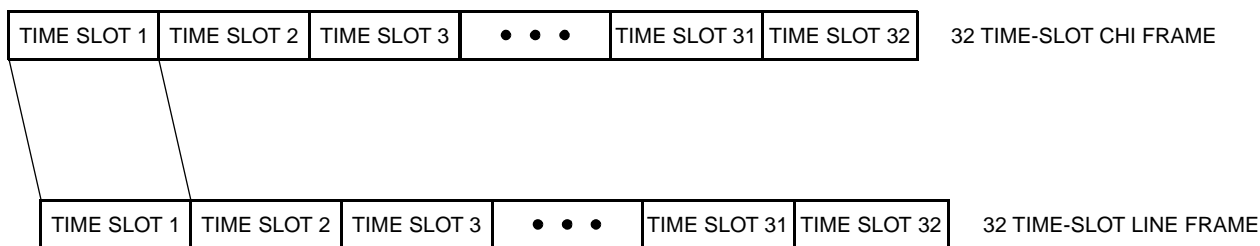
- MSB = most significant bit and is transmitted first.
- LSB = least significant bit and is transmitted last.

Transparent Framing Format

The transmit framer can be programmed to transparently transmit 256 bits of system data to the line. The transmit framer must be programmed to either transparent framing mode 1 or transparent framing mode 2 (see Framer Reset and Transparent Mode Control Register (FRM\_PR26) on page 174).

In transparent mode 1 or mode 2, the transmit framer transmits all 256 bits of the RCHI payload unmodified to the line. Time slot 1 of the RCHI, determined by the RCHIFS signal, is inserted into the FAS/NOTFAS time slot of the transmit line interface.

Frame integrity is maintained in both the transmit and receive framer sections.



5-5988(F)

Figure 25. CEPT Transparent Frame Structure

In transparent framing mode 1, the receive framer is forced **not** to reframe on the receive line data. Other than bipolar violations and unframed AIS monitoring, there is **no** processing of the receive line data. The entire receive line payload is transmitted unmodified to the CHI.

In transparent framing mode 2, the receive framer functions normally on the receive line data. All normal monitoring of receive line data is performed and data is transmitted to the CHI as programmed.

## Frame Formats (continued)

### CEPT Loss of Basic Frame Alignment (LFA)

Frame alignment is assumed to be lost when:

- As described in ITU Rec. G.706 Section 4.1.1, three consecutive incorrect frame alignment signals have been received.
- So as to limit the effect of spurious frame alignment signals, when bit 2 in time slot 0 in NOT FAS frames have been received with an error on three consecutive occasions.
- Optionally, as described in ITU Rec. G.706 Section 4.3.2, by exceeding a count of >914 errored CRC-4 blocks out of 1000, with the understanding that a count of  $\geq 915$  errored CRC blocks indicates false frame alignment.
- On demand via the control registers.

In the LFA state:

- No additional FAS or NOT FAS errors are processed.
- The received remote frame alarm (received A bit) is deactivated.
- All NOT-FAS bit (Si bit, A bit, and Sa4 to Sa8 bits) processing is halted.
- Receive Sa6 status bits are set to 0.
- Receive Sa6 code monitoring and counting is halted.
- All receive Sa stack data updates are halted. The receive Sa stack ready, register FRM\_SR4 bit 6 and bit 7, is set to 0. If enabled, the receive Sa stack interrupt bit is set to 0.
- Receive data link (RFDL) is set to 1 and RFDCLK maintains previous alignment.
- Optionally, the remote alarm indication (A = 1) may be automatically transmitted to the line if register FRM\_PR27 bit 0 is set to 1.
- Optionally, the alarm indication signal (AIS) may be automatically transmitted to the system if register FRM\_PR19 bit 0 is set to 1.

- If CRC-4 is enabled, loss of CRC-4 multiframe alignment is forced.
- If CRC-4 is enabled, the monitoring and processing of CRC-4 checksum errors is halted.
- If CRC-4 is enabled, all monitoring and processing of received E-bit information is halted.
- If CRC-4 is enabled, the receive continuous E-bit alarm is deactivated.
- If CRC-4 is enabled, optionally, E bit = 0 is transmitted to the line for the duration of loss of CRC-4 multiframe alignment if register FRM\_PR28 bit 4 is set to 1.
- If time slot 16 signaling is enabled, loss of the signaling multiframe alignment is forced.
- If time slot 16 signaling is enabled, updating of the signaling data is halted.

### CEPT Loss of Frame Alignment Recovery Algorithm

The receive framer begins the search for basic frame alignment one bit position beyond the position where the LFA state was detected. As defined in ITU Rec. G.706.4.1.2, frame alignment will be assumed to have been recovered when the following sequence is detected:

- For the first time, the presence of the correct frame alignment signal in frame  $n$ .
- The absence of the frame alignment signal in the following frame detected by verifying that bit 2 of the basic frame is a 1 in frame  $n + 1$ .
- For the second time, the presence of the correct frame alignment in the next frame,  $n + 2$ .

Failure to meet the second or third bullet above will initiate a new basic frame search in frame  $n + 2$ .

## Frame Formats (continued)

## CEPT Time Slot 0 CRC-4 Multiframe Structure

The CRC-4 multiframe is in bit 1 of each NOT FAS frame. As described in ITU Rec. G.704 Section 2.3.3.1, where there is a need to provide additional protection against simulation of the frame alignment signal, and/or where there is a need for an enhanced error monitoring capability, then bit 1 of each frame may be used for a cyclic redundancy check-4 (CRC-4) procedure as detailed below. The allocation of bits 1—8 of time slot 0 of every frame is shown in Table 32 for the complete CRC-4 multiframe.

Table 32. ITU CRC-4 Multiframe Structure

Multiframe	Submultiframe (SMF)	Frame Number	Bits							
			1	2	3	4	5	6	7	8
	I	0	C1	0	0	1	1	0	1	1
		1	0	1	A	Sa4	Sa5	Sa6	Sa7	Sa8
		2	C2	0	0	1	1	0	1	1
		3	0	1	A	Sa4	Sa5	Sa6	Sa7	Sa8
		4	C3	0	0	1	1	0	1	1
		5	1	1	A	Sa4	Sa5	Sa6	Sa7	Sa8
		6	C4	0	0	1	1	0	1	1
		7	0	1	A	Sa4	Sa5	Sa6	Sa7	Sa8
	II	8	C1	0	0	1	1	0	1	1
		9	1	1	A	Sa4	Sa5	Sa6	Sa7	Sa8
		10	C2	0	0	1	1	0	1	1
		11	1	1	A	Sa4	Sa5	Sa6	Sa7	Sa8
		12	C3	0	0	1	1	0	1	1
		13	E	1	A	Sa4	Sa5	Sa6	Sa7	Sa8
		14	C4	0	0	1	1	0	1	1
		15	E	1	A	Sa4	Sa5	Sa6	Sa7	Sa8

## Notes:

C1 to C4 = cyclic redundancy check-4 (CRC-4) bits.

E = CRC-4 error indication bits.

Sa4 to Sa8 = spare bits.

A = remote frame alarm (RFA) bit (active-high); referred to as the A bit.

The CRC-4 multiframe consists of 16 frames numbered 0 to 15 and is divided into two eight-frame submultiframes (SMF), designated SMF-I and SMF-II that signifies their respective order of occurrence within the CRC-4 multiframe structure. The SMF is the CRC-4 block size (2048 bits). In those frames containing the frame alignment signal (FAS), bit 1 is used to transmit the CRC-4 bits. There are four CRC-4 bits, designated C1, C2, C3, and C4 in each SMF. In those frames not containing the frame alignment signal (NOT FAS), bit 1 is used to transmit the 6-bit CRC-4 multiframe alignment signal and two CRC-4 error indication bits (E). The multiframe alignment signal is defined in ITU Rec. G.704 Section 2.3.3.4, as 001011. Transmitted E bits should be set to 0 until both basic frame and CRC-4 multiframe alignment are established. Thereafter, the E bits should be used to indicate received errored submultiframes by setting the binary state of one E bit from 1 to 0 for each errored submultiframe. The received E bits will always be taken into account, by the receive E-bit processor\*, even when the SMF that contains them is found to be errored. In the case where there exists equipment that does not use the E bits, the state of the E bits should be set to a binary 1 state.

\* The receive E-bit processor will halt the monitoring of the received E bit during the loss of CRC-4 multiframe alignment.



## Frame Formats (continued)

The CRC-4 word, located in submultiframe N, is the remainder after multiplication by  $x^4$  and then division (modulo 2) by the generator polynomial  $x^4 + x + 1$ , of the polynomial representation of the submultiframe N – 1. Representing the contents of the submultiframe check block as a polynomial, the first bit in the block, i.e., frame 0, bit 1 or frame 8, bit 1, is taken as being the most significant bit and the least significant bit in the check block is frame 7 or frame 15, bit 256. Similarly, C1 is defined to be the most significant bit of the remainder and C4 the least significant bit of the remainder. The encoding procedure, as described in ITU Rec. G.704 Section 2.3.3.5.2, follows:

- The CRC-4 bits in the SMF are replaced by binary zeros.
- The SMF is then acted upon the multiplication/division process referred to above.
- The remainder resulting from the multiplication/division process is stored, ready for insertion into the respective CRC-4 locations of the next SMF.

The decoding procedure, as described in ITU Rec. G.704 Section 2.3.3.5.3, follows:

- A received SMF is acted upon by the multiplication/division process referred to above, after having its CRC-4 bits extracted and replaced by zeros.
- The remainder resulting from this division process is then stored and subsequently compared on a bit-by-bit basis with the CRC bits received in the next SMF.
- If the remainder calculated in the decoder exactly corresponds to the CRC-4 bits received in the next SMF, it is assumed that the checked SMF is error-free.

## CEPT Loss of CRC-4 Multiframe Alignment (LTS0MFA)

Loss of basic frame alignment forces the receive framer into a loss of CRC-4 multiframe alignment state. This state is reported by way of the status registers FRM\_SR1 bit 2. Once basic frame alignment is achieved, a new search for CRC-4 multiframe alignment is initiated. During a loss of CRC-4 multiframe alignment state:

- The CRC-4 error counter is halted.
- The CRC-4 error monitoring circuit for errored seconds and severely errored seconds is halted.
- The received E-bit counter is halted.
- The received E-bit monitoring circuit for errored seconds and severely errored seconds at the remote end interface is halted.
- Receive continuous E-bit monitoring is halted.
- All receive Sa6 code monitoring and counting functions are halted.
- The updating of the receive Sa stack is halted and the receive Sa stack interrupt is deactivated.
- Optionally, A = 1 may be automatically transmitted to the line if register FRM\_PR27 bit 2 is set to 1.
- Optionally, E = 0 may be automatically transmitted to the line if register FRM\_PR28 bit 4 is set to 1.
- Optionally, if LTS0MFA monitoring in the performance counters is enabled, by setting registers FRM\_PR14 through FRM\_PR17 bit 1 to 1, then these counts are incremented once per second for the duration of the LTS0MFA state.

**Frame Formats** (continued)**CEPT Loss of CRC-4 Multiframe Alignment Recovery Algorithms**

Several optional algorithms exist in the receive framer. These are selected through programming of register FRM\_PR9.

**CRC-4 Multiframe Alignment Algorithm with 8 ms Timer**

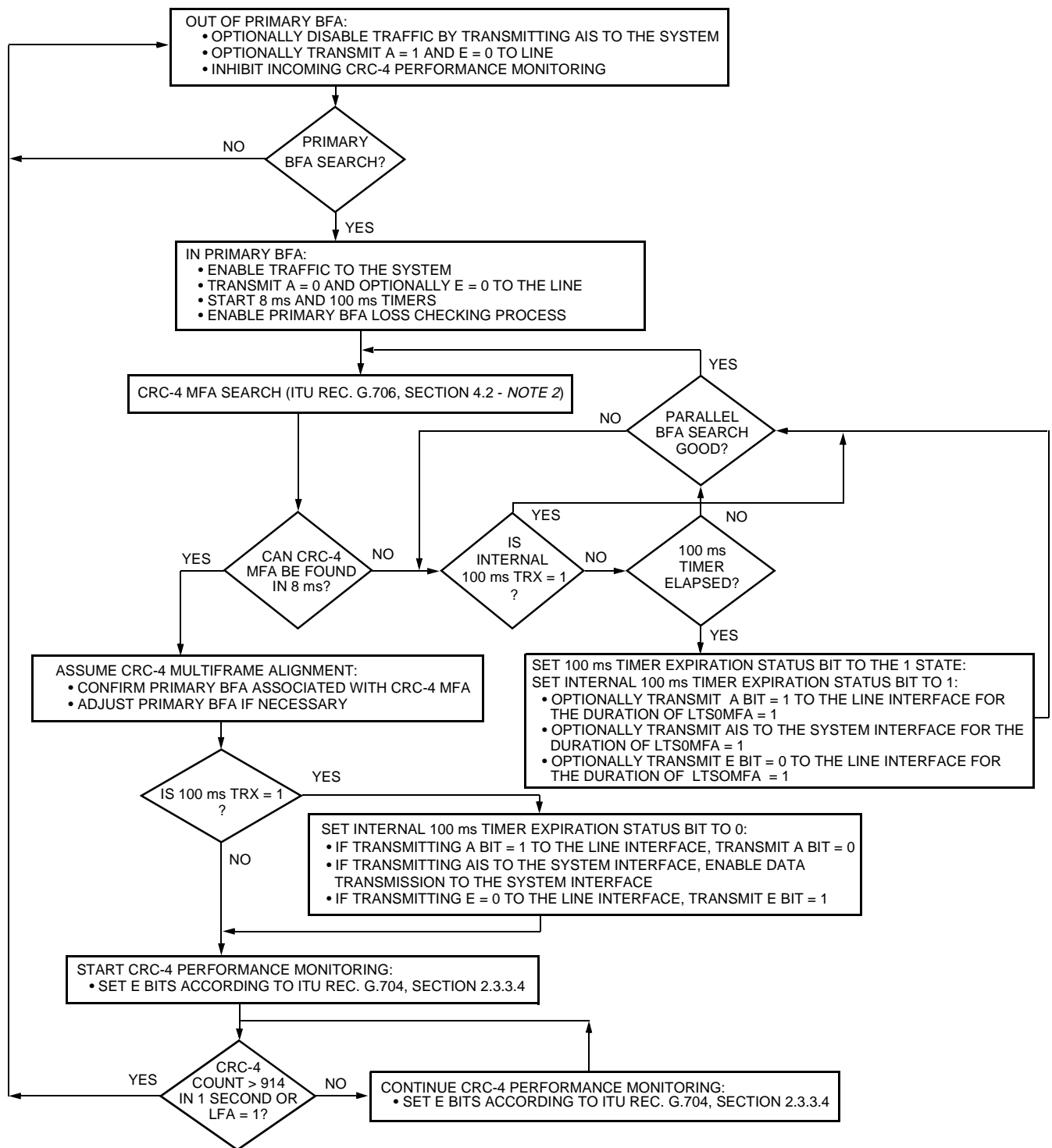
The default algorithm is as described in ITU Rec. G.706 Section 4.2. The recommendation states that if a condition of assumed frame alignment has been achieved, CRC-4 multiframe alignment is deemed to have occurred if at least two valid CRC-4 multiframe alignment signals can be located within 8 ms, the time separating two CRC-4 multiframe signals being 2 ms or a multiple of 2 ms. The search for the CRC-4 multiframe alignment signal is made only in bit 1 of NOT FAS frames. If multiframe alignment cannot be achieved within 8 ms, it is assumed that frame alignment is due to a spurious frame alignment signal and a new parallel search for basic frame alignment is initiated. The new search for the basic frame alignment is started at the point just after the location of the assumed spurious frame alignment signal. During this parallel search for basic frame alignment, there is no indication to the system of a receive loss of frame alignment (RLFA) state. During the parallel search for basic frame alignment and while in primary basic frame alignment, data will flow through the receive framer to the system interface as defined by the current primary frame alignment. The receive framer will continuously search for CRC-4 multiframe alignment.

**CRC-4 Multiframe Alignment Algorithm with 100 ms Timer**

The CRC-4 multiframe alignment with 100 ms timer mode is enabled by setting FRM\_PR9 to 0XXXX1X1 (binary). This CRC-4 multiframe reframe mode starts a 100 ms timer upon detection of basic frame alignment. This is a parallel timer to the 8 ms timer. If CRC-4 multiframe alignment cannot be achieved within the time limit of 100 ms due to the CRC-4 procedure not being implemented at the transmitting side, then an indication is given and actions are taken equivalent to those specified for loss of basic frame alignment, namely:

- Optional automatic transmission of A = 0 to the line if register FRM\_PR27 bit 3 is set to 1.
- Optional automatic transmission of E = 0 to the line if register FRM\_PR28 bit 5 is set to 1.
- Optional automatic transmission of AIS to the system if register FRM\_PR19 bit 1 is set to 1.

Frame Formats (continued)



5-3909(F).er.2

Figure 26. Receive CRC-4 Multiframe Search Algorithm Using the 100 ms Internal Timer

**Frame Formats** (continued)**CRC-4 Multiframe Alignment Search Algorithm with 400 ms Timer**

The CRC-4 multiframe alignment with 400 ms timer mode is enabled by setting FRM\_PR9 to 0XXX1XX1 (binary). This receive CRC-4 multiframe reframe mode is the modified CRC-4 multiframe alignment algorithm described in ITU Rec. 706 Annex B, where it is referred to as CRC-4-to-Non-CRC-4 equipment interworking. A flow diagram of this algorithm is illustrated in Figure 27. When the interworking algorithm is enabled, it supersedes the 100 ms algorithm described on page 66 and in Figure 26. This algorithm assumes that a valid basic frame alignment signal is consistently present but the CRC-4 multiframe alignment cannot be achieved by the end of the total CRC-4 multiframe alignment search period of 400 ms, if the distant end is a non-CRC-4 equipment. In this mode, the following consequent actions are taken:

- An indication that there is no incoming CRC-4 multiframe alignment signal.
- All CRC-4 processing on the receive 2.048 Mbits/s signal is inhibited.
- CRC-4 data is transmitted to the distant end with both E bits set to zero.

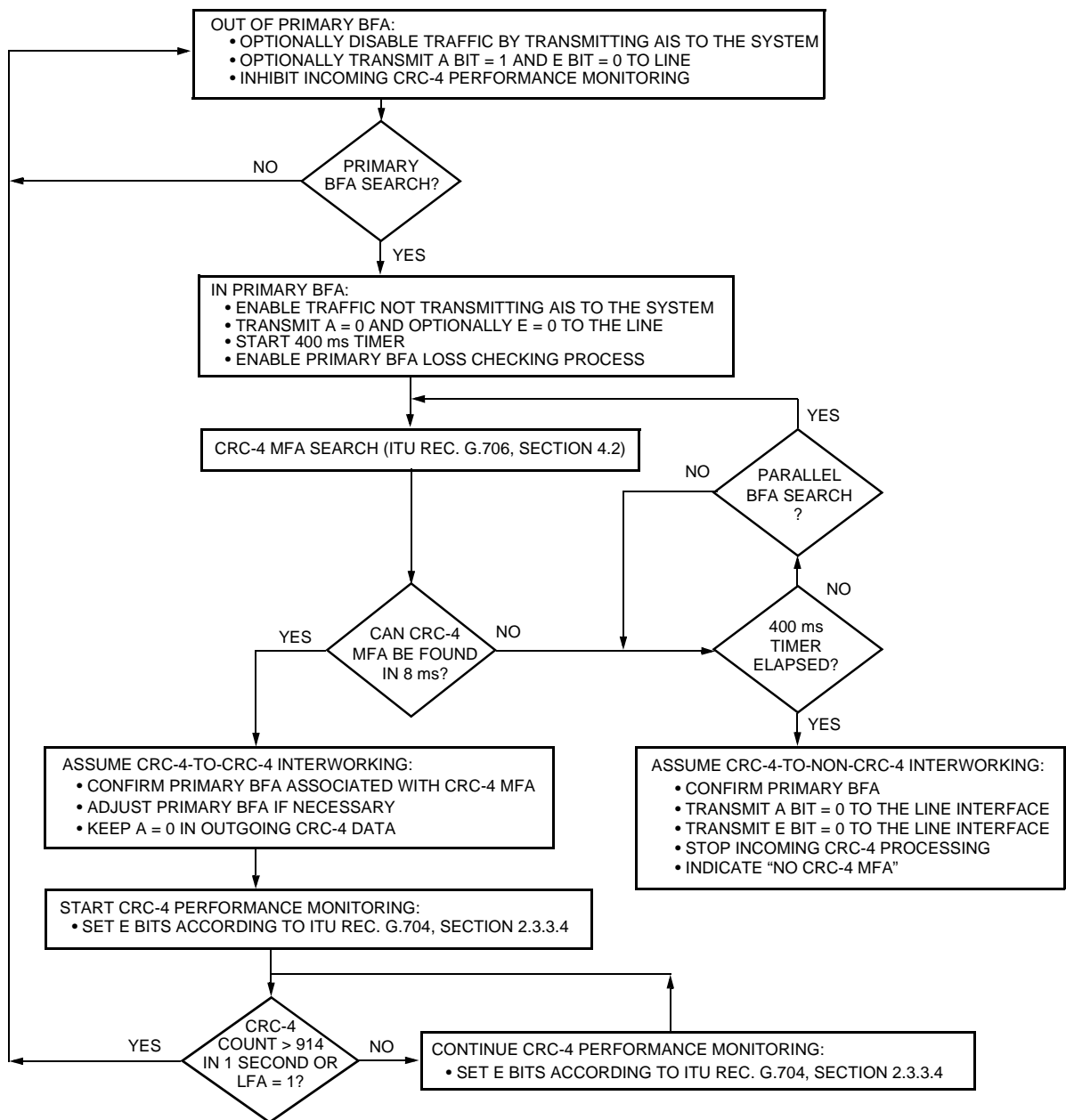
This algorithm allows the identification of failure of CRC-4 multiframe alignment generation/detection, but with correct basic framing, when interworking between each piece of equipment having the modified CRC-4 multiframe alignment algorithm.

As described in ITU Rec. G.706 Section B.2.3:

- A 400 ms timer is triggered on the initial recovery of the primary basic frame alignment.
- The 400 ms timer reset if and only if:
  - The criteria for loss of basic frame alignment as described in ITU Rec. G.706 Section 4.1.1 is achieved.
  - If 915 out of 1000 errored CRC-4 blocks are detected resulting in a loss of basic frame alignment as described in ITU Rec. G.706 Section 4.3.2.
  - On-demand reframe is requested.
  - The receive framer is programmed to the non-CRC-4 mode.

- The loss of basic frame alignment checking process runs continuously, irrespective of the state of the CRC-4 multiframe alignment process below it.
- A new search for frame alignment is initiated if CRC-4 multiframe alignment cannot be achieved in 8 ms, as described in ITU Rec. G.706 Section 4.2. This new search for basic frame alignment will not reset the 400 ms timer or invoke consequent actions associated with loss of the primary basic frame alignment. In particular, all searches for basic frame alignment are carried out in parallel with, and independent of, the primary basic frame loss checking process. All subsequent searches for CRC-4 multiframe alignment are associated with each basic framing sequence found during the parallel search.
- During the search for CRC-4 multiframe alignment, traffic is allowed through, upon, and to be synchronized to, the initially determined primary basic frame alignment.
- Upon detection of the CRC-4 multiframe before the 400 ms timer elapsing, the basic frame alignment associated with the CRC-4 multiframe alignment replaces, if necessary, the initially determined basic frame alignment.
- If CRC-4 multiframe alignment is not found before the 400 ms timer elapses, it is assumed that a condition of interworking between equipment with and without CRC-4 capability exists and the actions described above are taken.
- If the 2.048 Mbits/s path is reconfigured at any time, then it is assumed that the (new) pair of path terminating equipment will need to re-establish the complete framing process, and the algorithm is reset.

Frame Formats (continued)



5-3909(F).fr.3

Figure 27. Receive CRC-4 Multiframe Search Algorithm for Automatic, CRC-4/Non-CRC-4 Equipment Interworking as Defined by ITU (From ITU Rec. G.706, Annex B.2.2 - 1991)

**Frame Formats** (continued)**CEPT Time Slot 16 Multiframe Structure**

The T7630 supports two CEPT signaling modes: channel associated signaling (CAS) or per-channel signaling (PCS0 and PCS1).

**Channel Associated Signaling (CAS)**

The channel associated signaling (CAS) mode utilizes time slot 16 of the FAS and NOT FAS frames. The CAS format is a multiframe consisting of 16 frames where frame 0 of the multiframe contains the multiframe alignment pattern of four zeros in bits 1 through 4. Table 33 illustrates the CAS multiframe of time slot 16. The T7630 can be programmed to force the transmitted line CAS multiframe alignment pattern to be transmitted in the FAS frame by selecting the PCS0 option or in the NOT FAS frame by selecting the PCS1 option. Alignment of the transmitted line CAS multiframe to the CRC-4 multiframe is arbitrary.

**Table 33. ITU CEPT Time Slot 16 Channel Associated Signaling Multiframe Structure**

Time Slot 16 Channel Associated Signaling Multiframe	Frame Number	Bit							
		1	2	3	4	5	6	7	8
	0	0	0	0	0	X <sub>0</sub>	Y <sub>M</sub>	X <sub>1</sub>	X <sub>2</sub>
	1	A <sub>1</sub>	B <sub>1</sub>	C <sub>1</sub>	D <sub>1</sub>	A <sub>16</sub>	B <sub>16</sub>	C <sub>16</sub>	D <sub>16</sub>
	2	A <sub>2</sub>	B <sub>2</sub>	C <sub>2</sub>	D <sub>2</sub>	A <sub>17</sub>	B <sub>17</sub>	C <sub>17</sub>	D <sub>17</sub>
	3	A <sub>3</sub>	B <sub>3</sub>	C <sub>3</sub>	D <sub>3</sub>	A <sub>18</sub>	B <sub>18</sub>	C <sub>18</sub>	D <sub>18</sub>
	4	A <sub>4</sub>	B <sub>4</sub>	C <sub>4</sub>	D <sub>4</sub>	A <sub>19</sub>	B <sub>19</sub>	C <sub>19</sub>	D <sub>19</sub>
	5	A <sub>5</sub>	B <sub>5</sub>	C <sub>5</sub>	D <sub>5</sub>	A <sub>20</sub>	B <sub>20</sub>	C <sub>20</sub>	D <sub>20</sub>
	6	A <sub>6</sub>	B <sub>6</sub>	C <sub>6</sub>	D <sub>6</sub>	A <sub>21</sub>	B <sub>21</sub>	C <sub>21</sub>	D <sub>21</sub>
	7	A <sub>7</sub>	B <sub>7</sub>	C <sub>7</sub>	D <sub>7</sub>	A <sub>22</sub>	B <sub>22</sub>	C <sub>22</sub>	D <sub>22</sub>
	8	A <sub>8</sub>	B <sub>8</sub>	C <sub>8</sub>	D <sub>8</sub>	A <sub>23</sub>	B <sub>23</sub>	C <sub>23</sub>	D <sub>23</sub>
	9	A <sub>9</sub>	B <sub>9</sub>	C <sub>9</sub>	D <sub>9</sub>	A <sub>24</sub>	B <sub>24</sub>	C <sub>24</sub>	D <sub>24</sub>
	10	A <sub>10</sub>	B <sub>10</sub>	C <sub>10</sub>	D <sub>10</sub>	A <sub>25</sub>	B <sub>25</sub>	C <sub>25</sub>	D <sub>25</sub>
	11	A <sub>11</sub>	B <sub>11</sub>	C <sub>11</sub>	D <sub>11</sub>	A <sub>26</sub>	B <sub>26</sub>	C <sub>26</sub>	D <sub>26</sub>
	12	A <sub>12</sub>	B <sub>12</sub>	C <sub>12</sub>	D <sub>12</sub>	A <sub>27</sub>	B <sub>27</sub>	C <sub>27</sub>	D <sub>27</sub>
	13	A <sub>13</sub>	B <sub>13</sub>	C <sub>13</sub>	D <sub>13</sub>	A <sub>28</sub>	B <sub>28</sub>	C <sub>28</sub>	D <sub>28</sub>
	14	A <sub>14</sub>	B <sub>14</sub>	C <sub>14</sub>	D <sub>14</sub>	A <sub>29</sub>	B <sub>29</sub>	C <sub>29</sub>	D <sub>29</sub>
	15	A <sub>15</sub>	B <sub>15</sub>	C <sub>15</sub>	D <sub>15</sub>	A <sub>30</sub>	B <sub>30</sub>	C <sub>30</sub>	D <sub>30</sub>

## Notes:

Frame 0 bits 1—4 define the time slot 16 multiframe alignment.

X<sub>0</sub>—X<sub>2</sub> = time slot 16 spare bits defined in FRM\_PR41 bit 0—bit 2.

Y<sub>M</sub> = yellow alarm, time slot 16 remote multiframe alarm (RMA) bit (1 = alarm condition).

## Frame Formats (continued)

### CEPT Loss of Time Slot 16 Multiframe Alignment (LTS16MFA)

Loss of basic frame alignment forces the receive framer into a loss of time slot 16 signaling multiframe alignment state. In addition, as defined in ITU Rec. G.732 Section 5.2, time slot 16 signaling multiframe is assumed lost when two consecutive time slot 16 multiframe 4-bit all-zero patterns is received with an error. Also, the time slot 16 multiframe is assumed lost when, for a period of two multiframe, all bits in time slot 16 are in state 0. This state is reported by way of the status registers FRM\_SR1 bit 1. Once basic frame alignment is achieved, the receive framer will initiate a search for the time slot 16 multiframe alignment. During a loss of time slot 16 multiframe alignment state:

- The updating of the signaling data is halted.
- The received control bits forced to the binary 1 state.
- The received remote multiframe alarm indication status bit is forced to the binary 0 state.
- Optionally, the transmit framer can transmit to the line the time slot 16 signaling remote multiframe alarm if register FRM\_PR41 bit 4 is set to 1.
- Optionally, the transmit framer can transmit the alarm indication signal (AIS) in the system transmit time slot 16 data if register FRM\_PR44 bit 6 is set to 1.

### CEPT Loss of Time Slot 16 Multiframe Alignment Recovery Algorithm

The time slot 16 multiframe alignment recovery algorithm is as described in ITU Rec. G.732 Section 5.2. The recommendation states that if a condition of assumed frame alignment has been achieved, time slot 16 multiframe alignment is deemed to have occurred when the 4-bit time slot 16 multiframe pattern of 0000 is found in time slot 16 for the first time, and the preceding time slot 16 contained at least one bit in the binary 1 state.

## CEPT Time Slot 0 FAS/NOT FAS Control Bits

### FAS/NOT FAS Si- and E-Bit Source

The Si bit can be used as an 8 kbits/s data link to and from the remote end, or in the CRC-4 mode, it can be used to provide added protection against false frame alignment. The sources for the Si bits that are transmitted to the line are the following:

- CEPT with no CRC-4 and FRM\_PR28 bit 0 = 1: the TSiF control bit (FRM\_PR28 bit 1) is transmitted in bit 1 of all FAS frames and the TSiNF control bit (FRM\_PR28 bit 2) is transmitted in bit 1 of all NOT FAS frames.
- The CHI system interface (CEPT with no CRC-4 and FRM\_PR28 bit 0 = 0)\*.

This option requires the received system data (RCHI-DATA) to maintain a biframe alignment pattern where frames containing Si bit information for the NOT FAS frames have bit 2 of time slot 0 in the binary 1 state followed by frames containing Si bit information for the FAS frames that have bit 2 of time slot 0 in the binary 0 state. This ensures the proper alignment of the Si received system data to the transmit line Si data. Whenever this requirement is not met by the system, the transmit framer will enter a loss of biframe alignment condition (indication is given in the status registers) and then search for the pattern; in the loss of biframe alignment state, transmitted line data is corrupted (only when the system interface is sourcing Sa or Si data). When the transmit framer locates a new biframe alignment pattern, an indication is given in the status registers and the transmit framer resumes normal operations.

- CEPT with CRC-4†: manual transmission of E bit = 0:
  - If FRM\_PR28 bit 0 = 0, then the TSiF bit (FRM\_PR28 bit 1) is transmitted in bit 1 of frame 13 (E bit) and the TSiNF bit (FRM\_PR28 bit 2) is transmitted in bit 1 of frame 15 (E bit).
  - If FRM\_PR28 bit 0 = 1, then each time 0 is written into TSiF (FRM\_PR28 bit 1) one E bit = 0 is transmitted in frame 13, and each time 0 is written into TSiNF (FRM\_PR28 bit 2) one E bit = 0 is transmitted in frame 15.

\* Whenever bits (e.g., Si, Sa, etc.) are transmitted from the system transparently, FRM\_PR29 must first be momentarily written to 001xxxxx (binary). Otherwise, the transmit framer will not be able to locate the biframe alignment.

† The receive E-bit processor will halt the monitoring of received E bits during loss of CRC-4 multiframe alignment.

**CEPT Time Slot 0 FAS/NOT FAS Control Bits** (continued)

- CEPT with CRC-4<sup>1</sup>, automatic transmission of E bit = 0:
  - Optionally, one transmitted E bit is set to 0 by the transmit framer, as described in ITU Rec. G.704 Section 2.3.3.4, for each received errored CRC-4 submultiframe detected by the receive framer if FRM\_PR28 bit 3 = 1.
  - Optionally, as described in ITU Rec. G.704 Section 2.3.3.4, both E bits are set to 0 while in a received loss of CRC-4 multiframe alignment state<sup>2</sup> if FRM\_PR28 bit 4 = 1.
  - Optionally, when the 100 ms or 400 ms timer is enabled and the timer has expired, as described in ITU Rec. G.706 Section B.2.2, both E bits are set to 0 for the duration of the loss of CRC-4 multiframe alignment state<sup>2</sup> if FRM\_PR28 bit 5 = 1.

Otherwise, the E bits are transmitted to the line in the 1 state.

**NOT FAS A-Bit (CEPT Remote Frame Alarm) Sources**

The A bit, as described in ITU Rec. G.704 Section 2.3.2 Table 4a/G.704, is the remote alarm indication bit. In undisturbed conditions, this bit is set to 0 and transmitted to the line. In the loss of frame alignment (LFA) state, this bit may be set to 1 and transmitted to the line as determined by register FRM\_PR27. The A bit is set to 1 and transmitted to the line for the following conditions:

- Setting the transmit A bit = 1 control bit by setting register FRM\_PR27 bit 7 to 1.
- Optionally for the following alarm conditions as selected through programming register FRM\_PR27.
  - The duration of loss of basic frame alignment as described in ITU Rec. G.706 Section 4.1.1<sup>3</sup>, or ITU Rec. G.706 Section 4.3.2<sup>4</sup> if register FRM\_PR27 bit 0 = 1.
  - The duration of loss of CRC-4 multiframe alignment if register FRM\_PR27 bit 2 = 1.
  - The duration of loss of signaling time slot 16 multiframe alignment if register FRM\_PR27 bit 1 = 1.
  - The duration of loss of CRC-4 multiframe alignment after either the 100 ms or 400 ms timer expires if register FRM\_PR27 bit 3 = 1.
  - The duration of receive Sa6\_8hex<sup>5</sup> if register FRM\_PR27 bit 4 = 1.
  - The duration of receive Sa6\_Chex<sup>5</sup> if register FRM\_PR27 bit 5 = 1.

**NOT FAS Sa-Bit Sources<sup>6</sup>**

The Sa bits, Sa4—Sa8, in the NOT FAS frame can be a 4 kbits/s data link to and from the remote end. The sources and value for the Sa bits are:

- The Sa source register FRM\_PR29 bit 0—bit 4 if FRM\_PR29 bit 7—bit 5 = 000 (binary) and FRM\_PR30 bit 4—bit 0 = 11111 (binary).
- The facility data link external input (TFDL) if register FRM\_PR29 bit 7 = 1 and register FRM\_PR21 bit 6 = 1.
- The internal FDL-HDLC if register FRM\_PR29 bit 7 = 1 and register FRM\_PR21 bit 6 = 0.
- The Sa transmit stack if register FRM\_PR29 bit 7—bit 5 are set to 01x (binary).
- The CHI system interface if register FRM\_PR29 bit 7—bit 5 are set to 001 (binary). This option requires the received system data (RCHIDATA) to maintain a biframe alignment pattern where (1) frames containing Sa bit information have bit 2 of time slot 0 in the binary 1 state and (2) these NOT FAS frames are followed by frames not containing Sa bit information, the FAS frames, which have bit 2 of time slot 0 in the binary 0 state. This ensures the proper alignment of the Sa received system data to the transmit line Sa data. Whenever this requirement is not met by the system, the transmit framer will enter a loss of biframe alignment condition indicated in the status register, FRM\_SR1 bit 4, and then search for the pattern. In the loss of biframe alignment state, transmitted line data is corrupted (only when the system interface is sourcing Sa or Si data). When the transmit framer locates a new biframe alignment pattern, an indication is given in the status registers and the transmit framer resumes normal operations.

1. The receive E-bit processor will halt the monitoring of received E bits during loss of CRC-4 multiframe alignment.
2. Whenever loss of frame alignment occurs, then loss of CRC-4 multiframe alignment is forced. Once frame alignment is established, then and only then, is the search for CRC-4 multiframe alignment initiated. The receive framer unit, when programmed for CRC-4, can be in a state of LFA and LTS0MFA or in a state of LTS0MFA only, but cannot be in a state of LFA only.
3. LFA is due to framing bit errors.
4. LFA is due to detecting 915 out of 1000 received CRC-4 errored blocks.
5. See Table 41 Sa6 Bit Coding Recognized by the Receive Framer, for a definition of this Sa6 pattern.
6. Whenever bits (e.g., Si, Sa, etc.) are transmitted from the system transparently, FRM\_PR29 must first be momentarily written to 001xxxxx (binary). Otherwise, the transmit framer will not be able to locate the biframe alignment.



## CEPT Time Slot 0 FAS/NOT FAS Control Bits (continued)

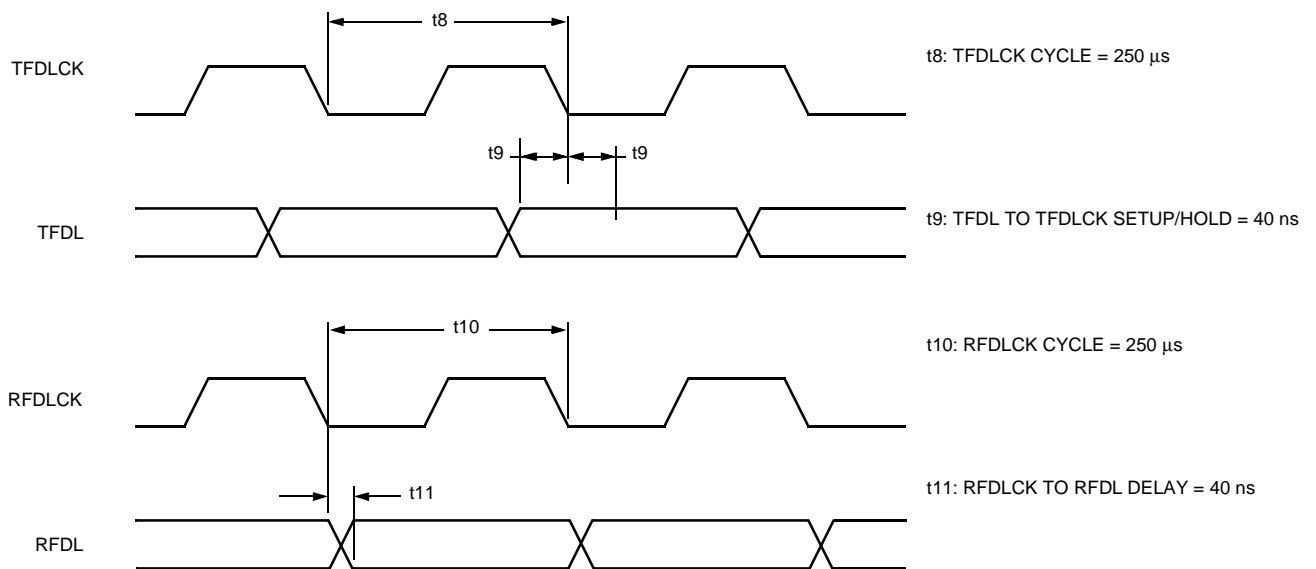
The receive Sa data is present at:

- The Sa received stack, registers FRM\_SR54—FRM\_SR63, if the T7630 is programmed in the Sa stack mode.
- The system transmit interface.

The status of the received Sa bits and the received Sa stack is available in status register FRM\_SR4. The transmit and receive Sa bit for the FDL can be selected by setting register FRM\_PR43 bit 0—bit 2 as shown in Table 166.

## Sa Facility Data Link Access

The data link interface may be used to source one of the Sa bits. Access is controlled by registers FRM\_PR29, FRM\_PR30, and FRM\_PR43, see NOT FAS Sa-Bit Sources page 72. The receive Sa data is always present at the receive facility data link output pin, RFDL, along with a valid clock signal at the receive facility clock output pin, RFDLCK. During a loss of frame alignment (LFA) state, the RFDL signal is forced to a 1 state while RFDLCK continues to toggle on the previous frame alignment. When basic frame alignment is found, RFDL is as received from the selected receive Sa bit position and RFDLCK is forced (if necessary) to the new alignment. The data rate for this access mode is 4 kHz. The access timing for the transmit and receive facility data is illustrated in Figure 28 below. During loss of receive clock (LOFRMRLCK), RFDL and RFDLCK are frozen in a state at the point of the LOFRMRLCK being asserted.



5-3910(F).dr.1

**Figure 28. Facility Data Link Access Timing of the Transmit and Receive Framer Sections in the CEPT Mode**

**CEPT Time Slot 0 FAS/NOT FAS Control Bits** (continued)**NOT FAS Sa Stack Source and Destination**

The transmit Sa4 to Sa8 bits may be sourced from the transmit Sa stack, registers FRM\_PR31—FRM\_PR40. The Sa stack consists of ten 8-bit registers that contain 16 NOT FAS frames of Sa information as shown in Table 34. The transmit stack data may be transmitted either in non-CRC-4 mode or in CRC-4 mode to the line.

The receive stack data, registers FRM\_SR54—FRM\_SR63, is valid in both the non-CRC-4 mode and the CRC-4 mode. In the non-CRC-4 mode while in the loss of frame alignment (LFA) state, updating of the receive Sa stack is halted and the transmit and receive stack interrupts are deactivated. In the CRC-4 mode while in the loss of time slot 0 multiframe alignment (LTSOMFA) state, updating of the receive Sa stack is halted and the transmit and receive stack interrupts are deactivated.

**Table 34. Transmit and Receive Sa Stack Structure**

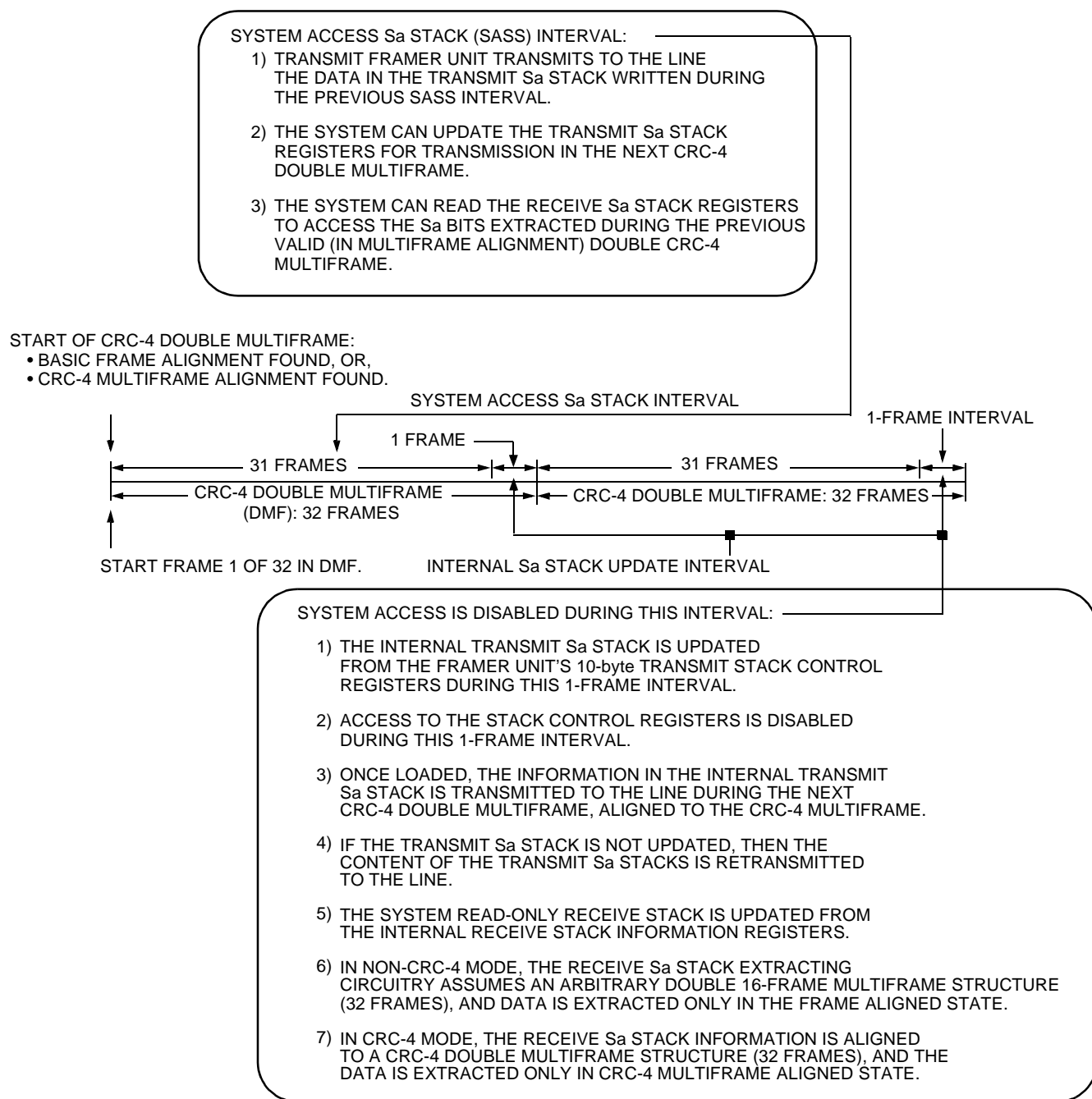
Register Number	Bit 7 (MSB)	Bit 6	Bit 5	Bit 4	Bit 3	Bit 2	Bit 1	Bit 0 (LSB)
1	Sa4-1	Sa4-3	Sa4-5	Sa4-7	Sa4-9	Sa4-11	Sa4-13	Sa4-15
2	Sa4-17	Sa4-19	Sa4-21	Sa4-23	Sa4-25	Sa4-27	Sa4-29	Sa4-31
3	Sa5-1	Sa5-3	Sa5-5	Sa5-7	Sa5-9	Sa5-11	Sa5-13	Sa5-15
4	Sa5-17	Sa5-19	Sa5-21	Sa5-23	Sa5-25	Sa5-27	Sa5-29	Sa5-31
5	Sa6-1	Sa6-3	Sa6-5	Sa6-7	Sa6-9	Sa6-11	Sa6-13	Sa6-15
6	Sa6-17	Sa6-19	Sa6-21	Sa6-23	Sa6-25	Sa6-27	Sa6-29	Sa6-31
7	Sa7-1	Sa7-3	Sa7-5	Sa7-7	Sa7-9	Sa7-11	Sa7-13	Sa7-15
8	Sa7-17	Sa7-19	Sa7-21	Sa7-23	Sa7-25	Sa7-27	Sa7-29	Sa7-31
9	Sa8-1	Sa8-3	Sa8-5	Sa8-7	Sa8-9	Sa8-11	Sa8-13	Sa8-15
10	Sa8-17	Sa8-19	Sa8-21	Sa8-23	Sa8-25	Sa8-27	Sa8-29	Sa8-31

The most significant bit of the first byte is transmitted to the line in frame 1 of a double CRC-4 multiframe. The least significant bit of the second byte is transmitted to the line in frame 31 of the double CRC-4 multiframe. The protocol for accessing the Sa Stack information for the transmit and receive Sa4 to Sa8 bits is shown in Figure 29 and described briefly below.

The device indicates that it is ready for an update of its transmit stack by setting register FRM\_SR4 bit 7 (CEPT transmit Sa stack ready) high. At this time, the system has about 4 ms to update the stack. Data written to the stack during this interval will be transmitted during the next double CRC-4 multiframe. By reading register FRM\_SR4 bit 7, the system clears this bit so that it can indicate the next time the transmit stack is ready. If the transmit stack is not updated, then the content of the stack is retransmitted to the line. The 32-frame interval of the transmit framer in the non-CRC-4 mode is arbitrary. Enabling transmit CRC-4 mode forces the updating of the internal transmit stack at the end of the 32-frame CRC-4 double multiframe; the transmit Sa stack is then transmitted synchronous to the transmit CRC-4 multiframe structure.

On the receive side, the T7630 indicates that it has received data in the receive Sa stack, register FRM\_SR54—FRM\_SR63, by setting register FRM\_SR4 bit 6 (CEPT receive Sa stack ready) high. The system then has about 4 ms to read the contents of the stack before it is updated again (old data lost). By reading register FRM\_SR4 bit 6, the system clears this bit so that it can indicate the next time the receive stack is ready. The receive framer always updates the content of the receive stack so unread data will be overwritten. The last 16 valid Sa4 to Sa8 bits are always stored in the receive Sa stack on a double-multiframe boundary. The 32-frame interval of the receive framer in the non-CRC-4 mode is arbitrary. Enabling the receive CRC-4 mode forces updating of the receive Sa stack at the end of the 32-frame CRC-4 double multiframe. The receive Sa stack is received synchronous to the CRC-4 multiframe structure.

**CEPT Time Slot 0 FAS/NOT FAS Control Bits** (continued)



5-3911(F).c

**Figure 29. Transmit and Receive Sa Stack Accessing Protocol**

## CEPT Time Slot 0 FAS/NOT FAS Control Bits (continued)

Interrupts indicating the transmit Sa stack or the receive Sa stack are ready for system access are available, see register FRM\_SR4 bit 6 and bit 7.

## CEPT Time Slot 16 X0—X2 Control Bits

Each of the three X bits in frame 0 of the time slot 16 multiframe can be used as a 0.5 kbits/s data link to and from the remote end. The transmitted line X bits are sourced from control register FRM\_PR41 bit 0—bit 2. In the loss of TS16 multiframe alignment (LTS16MFA) state, receive X bits are set to 1 in status register FRM\_SR53.

## Signaling Access

Signaling information can be accessed by three different methods: transparently through the CHI, via the control registers, or via the CHI associated signaling mode.

## Transparent Signaling

This mode is enabled by setting register FRM\_PR44 bit 0 to 1.

Data at the received RCHIDATA interface passes through the framer undisturbed. The framer generates an arbitrary signaling multiframe in the transmit and receive directions to facilitate the access of signaling information at the system interface.

## DS1: Robbed-Bit Signaling

### Microprocessor Control Registers

To enable signaling, register FRM\_PR44 bit 0 must be set to 0 (default).

The information written into the F and G bits of the transmit signaling registers, FRM\_TSR0—FRM\_TSR23, defines the robbed-bit signaling mode for each channel for both the transmit and receive directions. The per-channel programming allows the system to combine voice channels with data channels within the same frame.

The receive-channel robbed-bit signaling mode is always defined by the state of the F and G bits in the corresponding transmit signaling registers for that channel. The received signaling data is stored in the receive signaling registers, FRM\_RSR0—FRM\_RSR23, while receive framer is in both the frame and superframe alignment states. Updating the receive signaling registers can be inhibited on-demand, by setting register FRM\_PR44 bit 3 to 1, or automatically when either a framing error event, a loss of frame, or superframe alignment state is detected or a controlled slip event occurs. The signaling inhibit state is valid for at least 32 frames after any one of the following: a framing errored event, a loss of frame and/or superframe alignment state, or a controlled slip event.

In the common channel signaling mode, data written in the transmit signaling registers is transmitted in channel 24 of the transmit line bit stream. The F and G bits are ignored in this mode. The received signaling data from channel 24 is stored in receive signaling registers FRM\_RSR0—FRM\_RSR23 for T1.

### Associated Signaling Mode

This mode is enabled by setting register FRM\_PR44 bit 2 to 1.

Signaling information in the associated signaling mode (ASM) is allocated an 8-bit system time slot in conjunction with the pay load data information for a particular channel. The default system data rate in the ASM mode is 4.096 Mbits/s. Each system channel consists of an 8-bit payload time slot followed by its corresponding 8-bit signaling time slot. The format of the signaling byte is identical to that of the signaling registers.

In the ASM mode, writing the transmit signaling registers will corrupt the transmit signaling data. In the transmit signaling register ASM (TSR-ASM) format, enabled by setting register FRM\_PR44 bit 2 and bit 5 to 1, the system must write into the F and G bit<sup>1</sup> of the transmit signaling registers to program the robbed-bit signaling state mode of each DS0. The ABCD bits are sourced from the RCHI ports when TSR-ASM mode is enabled.

1. All other bits in the signaling registers are ignored, while the F and G bits in the received RCHIDATA stream are ignored.

## Signaling Access (continued)

Table 35 illustrates the ASM time-slot format for valid channels.

**Table 35. Associated Signaling Mode CHI 2-Byte Time-Slot Format for DS1 Frames**

DS1: ASM CHI Time Slot															
PAYLOAD DATA								SIGNALING INFORMATION*							
1	2	3	4	5	6	7	8	A	B	C	D	X	F	G	P†

\* X indicates bits that are undefined by the framer.

† The identical sense of the received system P bit in the transmitted signaling data is echoed back to the system in the received signaling information.

The DS1 framing formats require rate adaptation from the line-interface 1.544 Mbits/s bit stream to the system-interface 4.096 Mbits/s bit stream. The rate adaptation results in the need for stuffed time slots on the system interface. Table 36 illustrates the ASM format for T1 stuffed channels used by the T7630. The stuffed data byte contains the programmable idle code in register FRM\_PR23 (default = 7F (hex)), while the signaling byte is ignored.

**Table 36. Associated Signaling Mode CHI 2-Byte Time-Slot Format for Stuffed Channels**

ASM CHI Time Slot															
PAYLOAD DATA								SIGNALING INFORMATION*							
0	1	1	1	1	1	1	1	X	X	X	X	X	X	X	X

\* X indicates bits which are undefined by the framer.

## CEPT: Time Slot 16 Signaling

### Microprocessor Control Registers

To enable signaling, register FRM\_PR44 bit 0 must be set to 0 (default).

The information written into transmit signaling control registers FRM\_TSR0—FRM\_TSR31 define the state of the ABCD bits of time slot 16 transmitted to the line.

The received signaling data from time slot 16 is stored in receive signaling registers FRM\_RSR0—FRM\_RSR31.

### Associated Signaling Mode

Signaling information in the associated signaling mode (ASM), register FRM\_PR44 bit 2 = 1, is allocated an 8-bit system time slot in conjunction with the data information for a particular channel. The default system data rate in the ASM mode is 4.096 Mbits/s. Each system channel consists of an 8-bit payload time slot followed by its associated 8-bit signaling time slot. The format of the signaling byte is identical to the signaling registers.

Table 37 illustrates the ASM time-slot format for valid CEPT E1 time slots.

**Table 37. Associated Signaling Mode CHI 2-Byte Time-Slot Format for CEPT**

CEPT ASM CHI Time Slot															
PAYLOAD DATA								SIGNALING INFORMATION							
1	2	3	4	5	6	7	8	A	B	C	D	E	X*	X*	P†

\* In the CEPT formats, these bits are undefined.

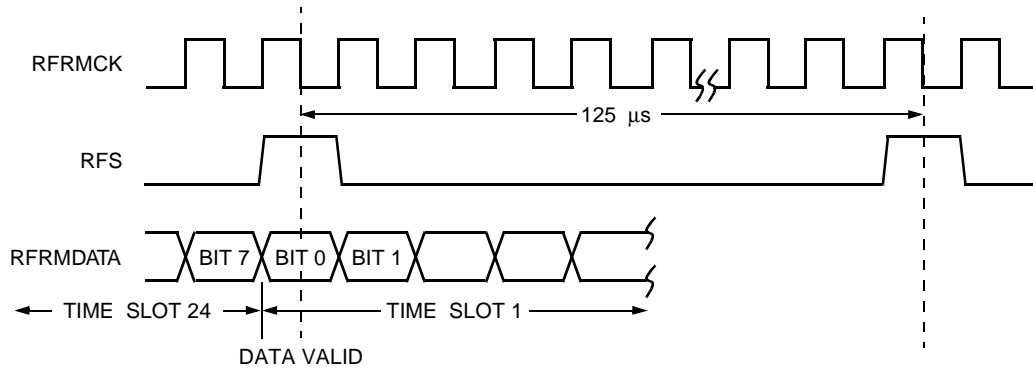
† The P bit is the parity-sense bit calculated over the 8 data bits, the ABCD (and E) bits, and the P bit. The identical sense of the received system P bit in the transmitted signaling data is echoed back to the system in the received signaling information.

### Auxiliary Framer I/O Timing

Transmit and receive clock and data signals are provided by terminals RFRMCK (receive framer clock), RFRM-DATA (receive framer data), RFS (receive frame sync), RSSFS (receive framer signaling superframe sync), RCRC-MFS (receive frame CRC-4 multiframe sync), TFS (transmit framer frame sync), TSSFS (transmit framer signaling superframe sync), and TCRCMFS (transmit framer CRC-4 multiframe sync).

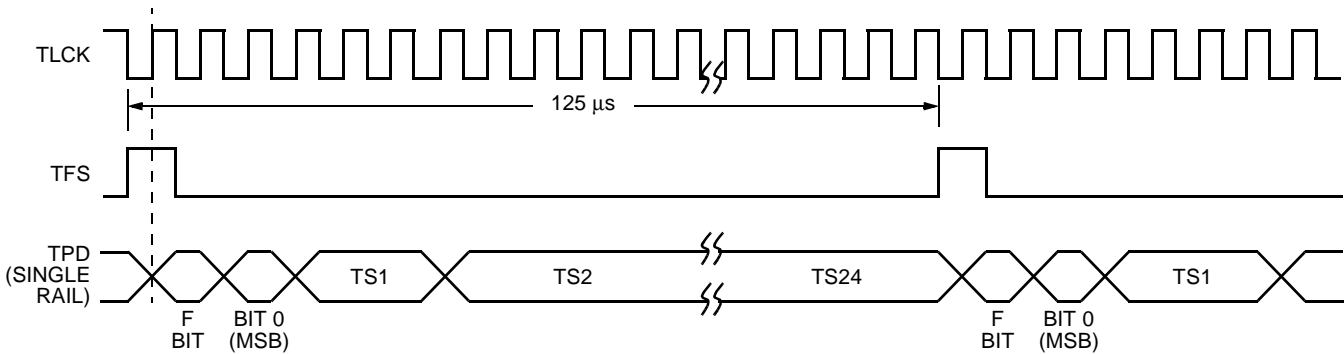
The receive signals are synchronized to the internal recovered receive line clock, RFRMCK, and the transmit signals are synchronized to the transmit line clock, TLCK. Note that TLCK is derived from the external PLLCK which must be phase-locked to the system (CHI) clock, RCHICK, see Table 1, pin 7 and pin 31.

Detailed timing specifications for these signals are given in Figure 30—Figure 37.



5-6290(F)r.5

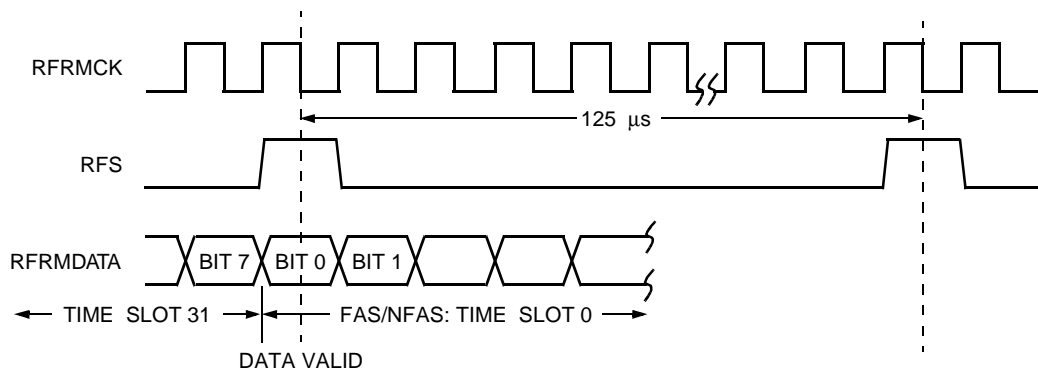
Figure 30. Timing Specification for RFRMCK, RFRMDATA, and RFS in DS1 Mode



5-6292(F)r.6

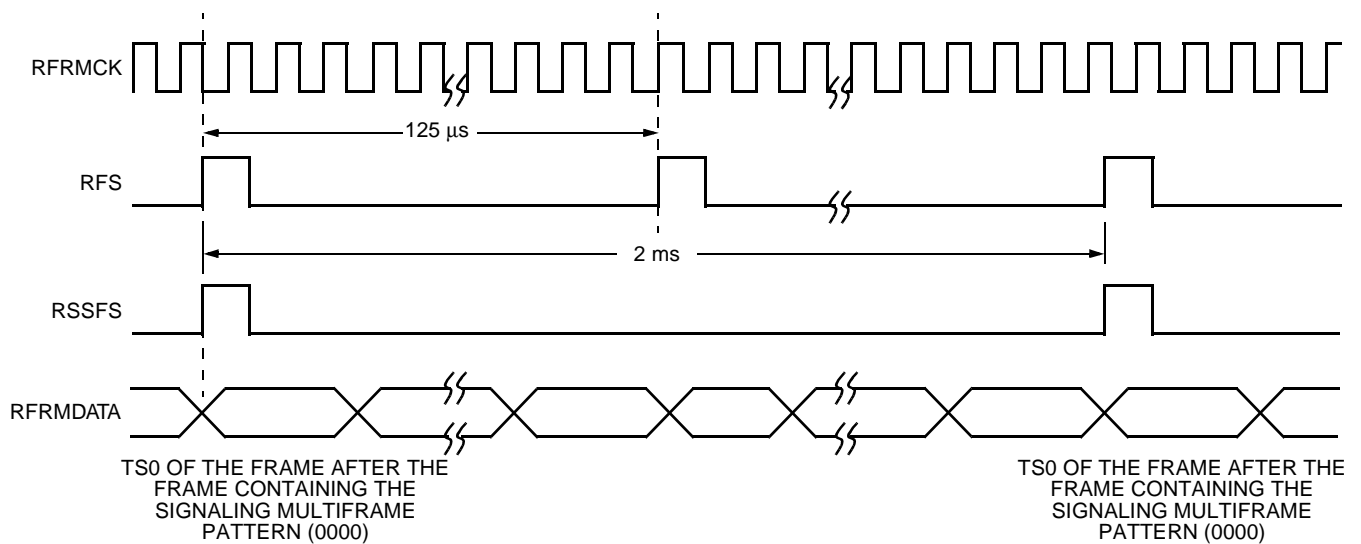
Figure 31. Timing Specification for TFS, TLCK, and TPD in DS1 Mode

Auxiliary Framer I/O Timing (continued)



5-6294(F)r.5

Figure 32. Timing Specification for RFRMCK, RFRMDATA, and RFS in CEPT Mode



5-6295(F)r.7

Figure 33. Timing Specification for RFRMCK, RFRMDATA, RFS, and RSSFS in CEPT Mode

Auxiliary Framer I/O Timing (continued)

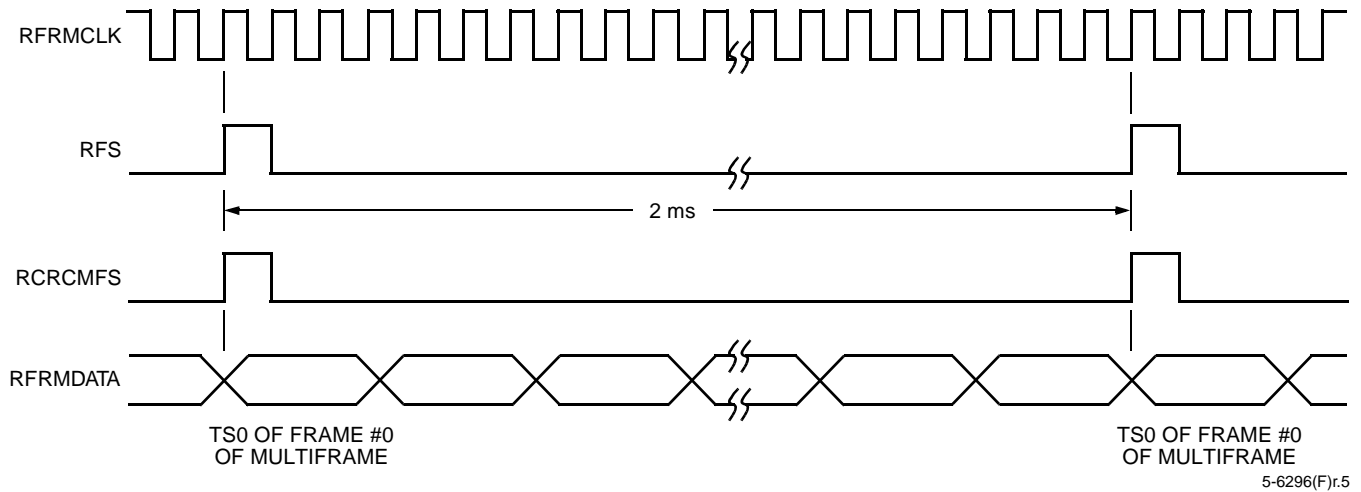


Figure 34. Timing Specification for RCRCMFS in CEPT Mode

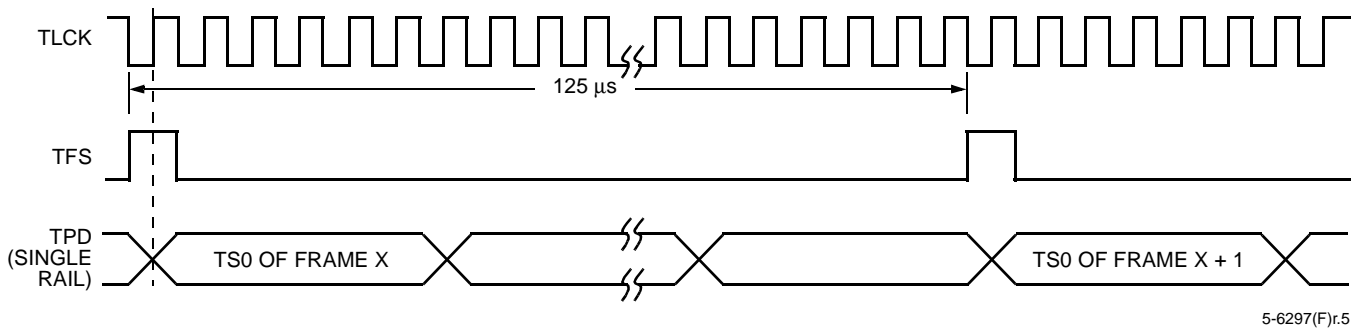


Figure 35. Timing Specification for TFS, TLCK, and TPD in CEPT Mode

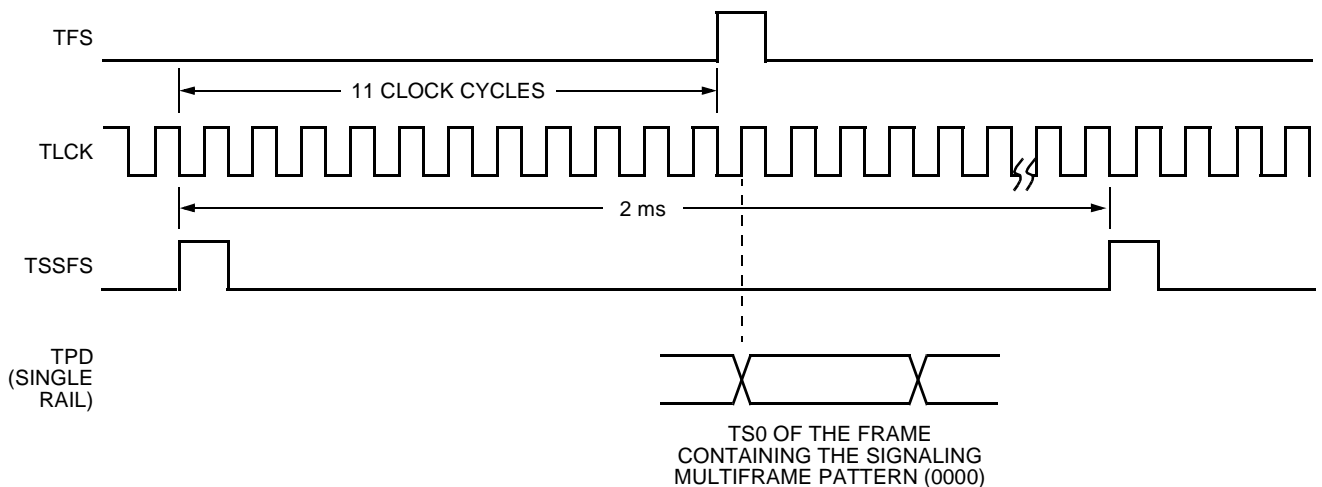
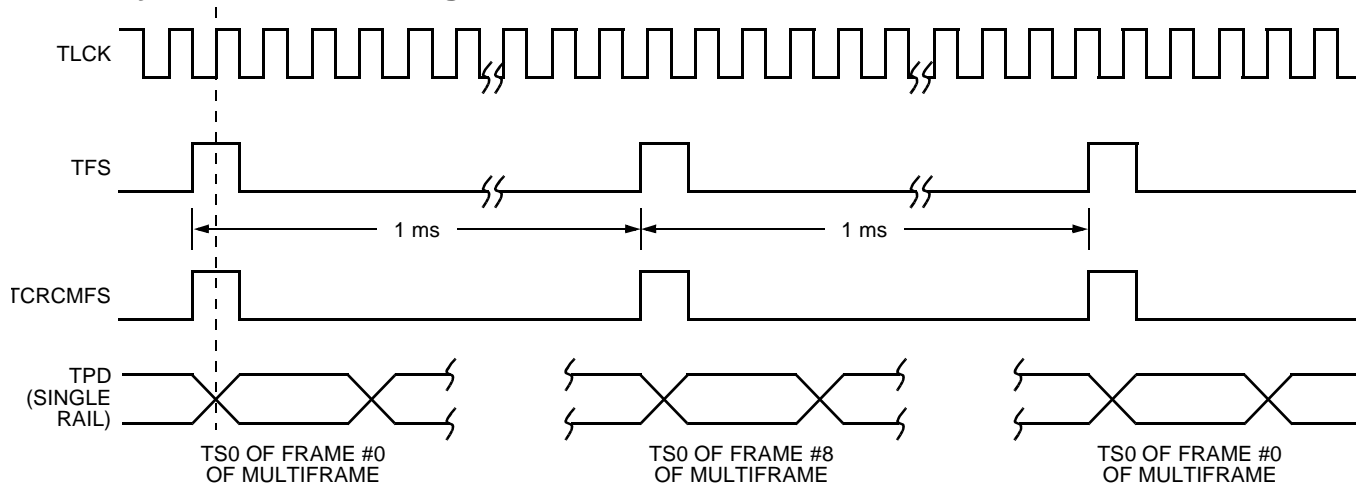


Figure 36. Timing Specification for TFS, TLCK, TPD, and TSSFS in CEPT Mode



### Auxiliary Framer I/O Timing (continued)



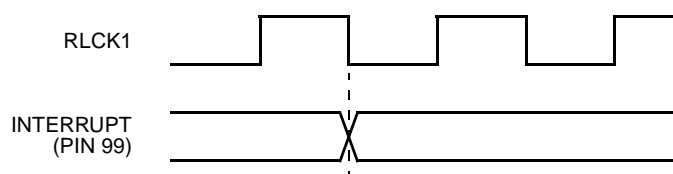
5-6299(F)r.5

Figure 37. Timing Specification for TFS, TLCK, TPD, and TCRCMFS in CEPT Mode

## Alarms and Performance Monitoring

### Interrupt Generation

A global interrupt (pin 99) may be generated if enabled by register GREG1. This interrupt is clocked using channel 1 framer receive line clock (RLCK1). If RLCK1 is absent, the interrupt is clocked using RLCK2, the receive line clock of channel 2. If both RLCK1 and RLCK2 are absent, clocking of interrupts is controlled by an interval 2.048 MHz clock generated from the CHI clock. Timing of the interrupt is shown in Figure 38. There is no relation between MPCK (pin 101) and the interrupt, i.e., MPCK may be asynchronous with any of the other terminator clocks.



5-6563(F)

Figure 38. Relation Between RLCK1 and Interrupt (Pin 99)

### Alarm Definition

The receive framer monitors the receive line data for alarm conditions and errored events, and then presents this information to the system through the microprocessor interface status registers. The transmit framer, to a lesser degree, monitors the receive system data and presents the information to the system through the microprocessor interface status registers. Updating of the status registers is controlled by the receive line clock signal. When the receive loss of clock monitor determines that the receive line clock signal is lost, the system clock is used to clock the status registers and all status information should be considered corrupted.

Although the precise method of detecting or generating alarm and error signals differs between framing modes, the functions are essentially the same. The alarm conditions monitored on the received line interface are the following:

1. **Red alarm** or the **loss of frame alignment** indication (FRM\_SR1 bit 0).

The red alarm indicates that the receive frame alignment for the line has been lost and the data cannot be properly extracted. The red alarm is indicated by the loss of frame condition for the various framing formats as defined in Table 38.

**Alarms and Performance Monitoring** (continued)**Table 38. Red Alarm or Loss of Frame Alignment Conditions**

Framing Format	Number of Errored Framing Bits That Will Cause a Red Alarm (Loss of Frame Alignment) Condition
D4	2 errored frame bits (F <sub>T</sub> or F <sub>S</sub> ) out of 4 consecutive frame bits if FRM_PR10 bit 2 = 1. 2 errored F <sub>T</sub> bits out of 4 consecutive F <sub>T</sub> bits if PRM_PR10 bit 2 = 0.
SLC-96	2 errored frame bits (F <sub>T</sub> or F <sub>S</sub> ) out of 4 consecutive frame bits if FRM_PR10 bit 2 = 1. 2 errored F <sub>T</sub> bits out of 4 consecutive F <sub>T</sub> bits if FRM_PR10 bit 2 = 0.
DDS: Frame	3 errored frame bits (F <sub>T</sub> or F <sub>S</sub> ) or channel 24 FAS pattern out of 12 consecutive frame bits.
ESF	2 errored F <sub>E</sub> bits out of 4 consecutive F <sub>E</sub> bits or, optionally, 320 or more CRC6 errored checksums within a one second interval if loss of frame alignment due to excessive CRC-6 errors is enabled in FRM_PR9.
CEPT	Three consecutive incorrect FAS patterns or three consecutive incorrect NOT FAS patterns; or optionally, greater than 914 received CRC-4 checksum errors in a one second interval if loss of frame alignment due to excessive CRC-6 errors is enabled in FRM_PR9.

**2. Yellow alarm** or the **remote frame alarm** (FRM\_SR1 bit 0).

This alarm is an indication that the line remote end is in a loss of frame alignment state. Indication of remote frame alarm (commonly referred to as a yellow alarm) as for the different framing formats is shown in Table 39.

**Table 39. Remote Frame Alarm Conditions**

Framing Format	Remote Frame Alarm Format
Superframe: D4	Bit 2 of all time slots in the 0 state.
Superframe: D4-Japanese	The twelfth framing bit in the 1 state in two out of three consecutive superframes.
Superframe: DDS	Bit 6 of time slot 24 in the 0 state.
Extended Superframe (ESF)	An alternating pattern of eight ones followed by eight zeros in the ESF data link.
CEPT: Basic Frame	Bit 3 of the NOT FAS frame in the 1 state in three consecutive frames.
CEPT: Signaling Multiframe	Bit 6 of the time slot 16 signaling frame in the 1 state.

**3. Blue alarm** or the **alarm indication signal** (AIS).

The alarm indication signal (AIS), sometimes referred to as the blue alarm, is an indication that the remote end is out of service. Detection of an incoming alarm indication signal is defined in Table 40.

**Table 40. Alarm Indication Signal Conditions**

Framing Format	Remote Frame Alarm Format
T1	Loss of frame alignment occurs and the incoming signal has two or fewer zeros in each of two consecutive double frame periods (386 bits).
CEPT ETSI	As described in ETS 300 233:1994 Section 8.2.2.4, loss of frame alignment occurs and the framer receives a 512 bit period containing two or less binary zeros. This is enabled by setting register FRM_PR10 bit 1 to 0.
CEPT ITU	As described in ITU Rec. G.775, the incoming signal has two or fewer zeros in each of two consecutive double frame periods (512 bits). AIS is cleared if each of two consecutive double frame periods contains three or more zeros or frame alignment signal (FAS) has been found. This is enabled by setting register FRM_PR10 bit 1 to 1.

## Alarms and Performance Monitoring (continued)

4. The **SLIP** condition (FRM\_SR3 bit 6 and bit 7).

SLIP is defined as the state in which the receive elastic store buffer's write address pointer from the receive framer and the read address pointer from the transmit CHI are equal\*.

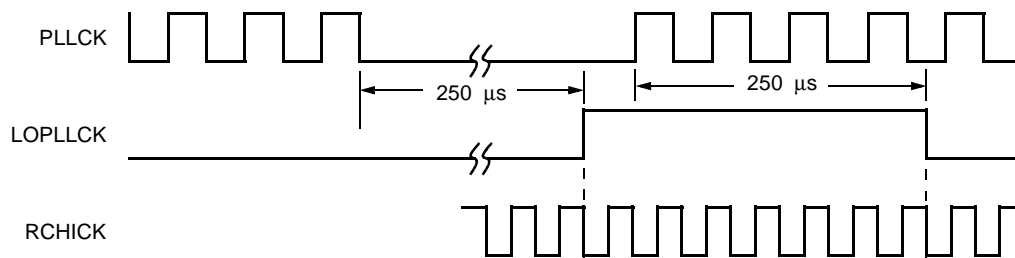
- The negative slip (Slip-N) alarm indicates that the receive line clock (RLCK) - transmit CHI clock (TCHICK) monitoring circuit detects a state of overflow caused by RLCK and TCHICK being out of phase-lock and the period of the received frame being less than that of the system frame. One system frame is deleted.
- The positive slip (Slip-P) alarm indicates the line clock (RLCK) - transmit CHI clock (TCHICK) monitoring circuit detects a state of underflow caused by RLCK and TCHICK being out of phase-lock and the period of the received frame being greater than that of the system frame. One system frame is repeated.

5. The **loss of framer receive clock** (LOFRMRLCK, pins 2 and 38).

In the framer mode,  $\overline{\text{FRAMER}} = 0$  (pin 41/141), LOFRMRLCK alarm is asserted high when an interval of 250  $\mu\text{s}$  has expired with no transition of RLCK (pin 135/47) detected. The alarm is disabled on the first transition of RLCK. In the terminator mode,  $\overline{\text{FRAMER}} = 1$  (pin 41/141), LOFRMRLCK is asserted high when SYSCK (pin 3/35) does not toggle for 250  $\mu\text{s}$ . The alarm is disabled on the first transition of SYSCK.

6. The **loss of PLL clock** (LOPLLCK, pins 39 and 143).

LOPLLCK alarm is asserted high when an interval of 250  $\mu\text{s}$  has expired with no transition of PLLCK detected. The alarm is disabled 250  $\mu\text{s}$  after the first transition of PLLCK. Timing for LOPLLCK is shown in Figure 39.



5-6564(F)r.2

Figure 39. Timing for Generation of LOPLLCK (Pin 39/143)

7. Received **bipolar violation errors** alarm, FRM\_SR3 bit 0.

This alarm indicates any bipolar decoding error or detection of excessive zeros.

8. Received **excessive CRC errors** alarm, FRM\_SR3 bit 3.

In ESF, this alarm is asserted when 320 or more CRC-6 checksum errors are detected within a one second interval. In CEPT, this alarm is asserted when 915 or more CRC-4 checksum errors are detected within a one second interval.

\* After a reset, the read and write pointers of the receive path elastic store will be set to a known state.

## Alarms and Performance Monitoring

(continued)

### 9. The CEPT **continuous E-bit** alarm (CREBIT) (FRM\_SR2 bit 2).

- CREBIT is asserted when the receive framer detects:
  - Five consecutive seconds where each 1 second interval contains  $\geq 991$  received E bits = 0 events.
  - Simultaneously no LFA occurred.
  - Optionally, no remote frame alarm (A bit = 1) was detected if register FRM\_PR9 bit 0, bit 4, and bit 5 are set to 1.
  - Optionally, neither Sa6-F<sub>hex</sub> nor Sa6-E<sub>hex</sub> codes were detected if register FRM\_PR9 bit 0, bit 4, and bit 6 are set to 1.
  - The five second timer is started when:
    - CRC-4 multiframe alignment is achieved.
    - And optionally, A = 0 is detected if register FRM\_PR9 bit 0, bit 4, and bit 5 are set to 1.
    - And optionally, neither Sa6\_F<sub>hex</sub><sup>1</sup> nor Sa6\_E<sub>hex</sub><sup>\*</sup> is detected if register FRM\_PR9 bit 0, bit 4, and bit 6 are set to 1.
- The five second counter is restarted when:
  - LFA occurs, or
  - $\delta 990$  E bit = 0 events occur in 1 second, or
  - Optionally, an A bit = 1 is detected if register FRM\_PR9 bit 0, bit 4, and bit 5 are set to 1.
  - Optionally, a valid Sa6 pattern 1111 (binary) or Sa6 pattern 1110 (binary) code was detected if register FRM\_PR9 bit 0, bit 4, and bit 6 are set to 1.

This alarm is disabled during loss of frame alignment (LFA) or loss of CRC-4 multiframe alignment (LTS0MFA).

### 10. Failed state alarm or the unavailable state alarm, FRM\_SR5 bit 3 and bit 7 and FRM\_SR6 bit 3 and bit 7.

This alarm is defined as the unavailable state at the onset of ten consecutive severely errored seconds. In this state, the receive framer inhibits incrementing of the severely errored and errored second counters for the duration of the unavailable state. The receive framer deasserts the unavailable state condition at the onset of ten consecutive errored seconds which were not severely errored.

### 11. The 4-bit Sa6 codes (FRM\_SR2 bit 3—bit 7).

Sa6 codes are asserted if three consecutive 4-bit patterns have been detected. The alarms are disabled when three consecutive 4-bit Sa6 codes have been detected that are different from the pattern previously detected. The receive framer monitors the Sa6 bits for special codes described in ETS Draft prETS 300 233:1992 Section 9.2. The Sa6 codes are defined in Tables 41 and 42. The Sa6 codes in Table 41 may be recognized as an asynchronous bit stream in either non-CRC-4 or CRC-4 modes as long as the receive framer is in the basic frame alignment state. In the CRC-4 mode, the receive framer can optionally recognize the received Sa6 codes in Table 41 synchronously to the CRC-4 submultiframe structure as long as the receive framer is in the CRC-4 multiframe alignment state (synchronous Sa6 monitoring can be enabled by setting register FRM\_PR10 bit 1 to 1). The Sa6 codes in Table 42 are only recognized synchronously to the CRC-4 submultiframe and when the receive framer is in CRC-4 multiframe alignment. The detection of three (3) consecutive 4-bit patterns are required to indicate a valid received Sa6 code. The detection of Sa6 codes is indicated in status register FRM\_SR2 bit 3—bit 7. Once set, any three-nibble (12-bit) interval that contains any other Sa6 code will clear the current Sa6 status bit. Interrupts may be generated by the Sa6 codes given in Table 41.

**Table 41. Sa6 Bit Coding Recognized by the Receive Framer-Asynchronous Bit Stream**

Code	First Receive Bit (MSB)			Last Received Bit (LSB)
Sa6_8 <sub>hex</sub>	1	0	0	0
Sa6_A <sub>hex</sub>	1	0	1	0
Sa6_C <sub>hex</sub>	1	1	0	0
Sa6_E <sub>hex</sub>	1	1	1	0
Sa6_F <sub>hex</sub>	1	1	1	1

\* See Table 41, Sa6 Bit Coding Recognized by the Receive Framer, for a definition of this Sa6 pattern.

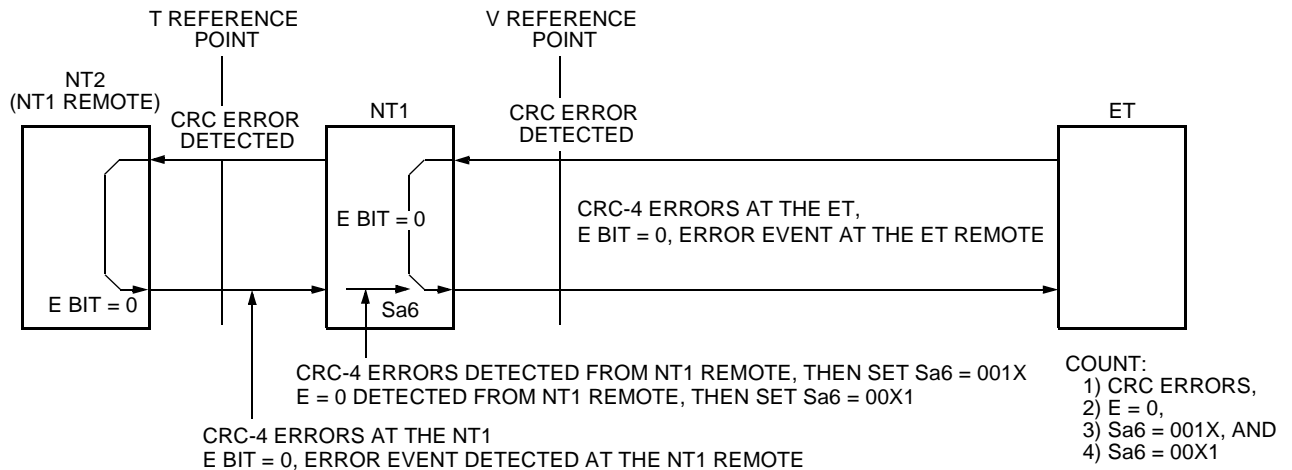
**Alarms and Performance Monitoring** (continued)

Table 42 defines the three 4-bit Sa6 codes that are always detected synchronously to the CRC-4 submultiframe structure and are only used for counting NT1 events.

**Table 42. Sa6 Bit Coding Recognized by the Receive Frame-Synchronous Bit Stream**

Code	First Receive Bit (MSB)			Last Received Bit (LSB)	Event at NT1	Counter Size (bits)
Sa6_1hex	0	0	0	1	E = 0	16
Sa6_2hex	0	0	1	0	CRC-4 Error	16
Sa6_3hex	0	0	1	1	CRC-4 Error & E = 0 This code will cause both counters to increment.	—

The reference points for receive CRC-4, E bit, and Sa6 decoding are illustrated in Figure 40.



5-3913(F)r.8

**Figure 40. The T and V Reference Points for a Typical CEPT E1 Application**

**12. CEPT auxiliary pattern alarm (AUXP) (FRM\_SR1 bit 6).**

The received auxiliary alarm, register FRM\_SR1 bit 6 (AUXP), is asserted when the receive framer is in the LFA state and has detected more than 253 10 (binary) patterns for 512 consecutive bits. In a 512-bit interval, only two 10 (binary) patterns are allowable for the alarm to be asserted and maintained. The 512-bit interval is a sliding window determined by the first 10 (binary) pattern detected. This alarm is disabled when three or more 10 (binary) patterns are detected in 512 consecutive bits. The search for AUXP is synchronized with the first alternating 10 (binary) pattern as shown in Table 43.

**Table 43. AUXP Synchronization and Clear Synchronization Process**

00	10	10	01	11	11	00	00	0	10	00	10
—	sync	—	—	—	clear sync	—	—	—	sync	...	...

**Alarms and Performance Monitoring** (continued)**Event Counters Definition**

The error events monitored in the receive framer's status registers are defined in Table 44 for the hardwired (default) threshold values. The errored second and severely errored second threshold registers can be programmed through FRM\_PR11—FRM\_PR13 such that the errored and severely errored second counters function as required by system needs. DS1 errors are reported in the ET error registers, FRM\_SR20 through FRM\_SR35. For the framer to correctly report coding and BPV errors, the LIU/framer interface must be configured as dual-rail mode.

**Table 44. Event Counters Definition**

Error Event	Functional Mode	Definition	Counter Size (bits)
Bipolar Violations (BPVs)	AMI	Any bipolar violation or 16 or more consecutive zeros.	16
	B8ZS	Any BPV, code violation, or any 8-bit interval with no one pulse.	
	CEPT HDB3	Any BPV, code violation, or any 4-bit interval with no one pulse.	
Frame Alignment Errors (FERs)	SF: D4	Any FT or Fs bit errors (FRM_PR10 bit 2 = 1) or any FT bit errors (FRM_PR10 bit 2 = 0).	16
	SF: SLC-96	Any FT or Fs bit errors (FRM_PR10 bit 2 = 1) or any FT bit errors (FRM_PR10 bit 2 = 0).	
	SF: DDS	Any FT, Fs, or time slot 24 FAS bit error.	
	ESF	Any FE bit error.	
	CEPT	Any FAS (0011011) or NOT FAS (bit 2) bit error.	
CRC Checksum Errors	ESF or CEPT with CRC	Any received checksum in error.	16
Excessive CRC Errors	ESF	≥320 checksum errors in a one second interval.	NONE
	CEPT with CRC	≥915 checksum errors in a one second interval.	
Received E bits = 0	CEPT with CRC-4	E bits = 0 in frame 13 and frame 15.	16
Errored Second Events	All	Any one of the relevant error conditions enabled in registers FRM_PR14—FRM_PR18 within a one second interval.	16
	DS1: non ESF	Any framing bit errors within a one second interval.	
	DS1: ESF	Any CRC-6 errors within a one second interval.	
	CEPT without CRC-4	Any framing errors within a one second interval.	
	CEPT with CRC-4 (ET1)	Any CRC-4 errors within a one second interval.	
	CEPT with CRC-4 (ET1 remote)	Any E bit = 0 event within a one second interval.	
	CEPT with CRC-4 (NT1)	Any Sa6 = 001x (binary) code event within a one second interval.	
	CEPT with CRC-4 (NT1 remote)	Any Sa6 = 00x1 (binary) code event within a one second interval.	

**Alarms and Performance Monitoring** (continued)

**Table 44. Event Counters Definition** (continued)

Error Event	Functional Mode	Definition	Counter Size (bits)
Bursty Errored Second Events	DS1: non ESF	Greater than 1 but less than 8 framing bit errors within a one second interval.	16
	DS1: ESF	Greater than 1 but less than 320 CRC-6 errors within a one second interval.	
	CEPT without CRC-4	Greater than 1 but less than 16 framing bit errors within a one second interval.	
	CEPT with CRC-4 (ET1)	Greater than 1 but less than 915 CRC-4 errors within a one second interval.	
	CEPT with CRC-4 (ET1 remote)	Greater than 1 but less than 915 E bit = 0 events within a one second interval.	
	CEPT with CRC-4 (NT1)	Greater than 1 but less than 915 Sa6 = 001x (binary) code events within a one second interval.	
	CEPT with CRC-4 (NT1 remote)	Greater than 1 but less than 915 Sa6 = 00x1 (binary) code events within a one second interval.	
Severely Errored Second Events	All	Any one of the relevant error conditions enabled in registers FRM_PR14—FRM_PR18 within a one second interval.	16
	DS1: non ESF	8 or more framing bit errors within a one second interval.	
	DS1: ESF	320 or more CRC-6 errors within a one second interval.	
	CEPT with no CRC-4	16 or more framing bit errors within a one second interval.	
	CEPT with CRC-4 (ET1)	915 or more CRC-4 errors within a one second interval.	
	CEPT with CRC-4 (ET1 remote)	915 or more E bit = 0 events within a one second interval.	
	CEPT with CRC-4 (NT1)	915 or more Sa6 = 001x (binary) code events within a one second interval.	
	CEPT with CRC-4 (NT1 remote)	915 or more Sa6 = 00x1 (binary) code events within a one second interval.	
Unavailable Second Events	All	A one second period in the unavailable state.	16

The receive framer enters an unavailable state condition at the onset of ten consecutive severely errored second events. When in the unavailable state, the receive framer deasserts the unavailable state alarms at the onset of ten consecutive seconds which were not severely errored.

## Alarms and Performance Monitoring

(continued)

### Loopback and Transmission Modes

#### Primary Loopback Modes

Framer primary loopback mode is controlled by register FRM\_PR24. There are seven primary loopback and transmission test modes supported:

- Line loopback (LLB).
- Board loopback (BLB).
- Single time-slot system loopback (STSSLB).
- Single time-slot line loopback (STSLLB).
- CEPT nailed-up broadcast transmission (CNUBT).
- Payload loopback (PLLB).
- CEPT nailed-up connect loopback (CNUCLB).

The loopback and transmission modes are described in detail below:

- The LLB mode loops the receive line data and clock back to the transmit line. The received data is processed by the receive framer and transmitted to the system interface. This mode can be selected by setting register FRM\_PR24 to 001xxxxx (binary).
- The BLB mode loops the receive system data back to the system after:
  - The transmit framer processes the data, and
  - The receive framer processes the data.
  - In the BLB mode, AIS is always transmitted to the line interface. This mode can be selected by setting register FRM\_PR24 to 010xxxxx (binary).
- The STSSLB mode loops one and only one received system time slot back to the transmit system interface. The selected looped back time-slot data is not processed by either the transmit framer or the receive framer. The selected time slot does not pass through the receive elastic store buffer and therefore will not be affected by system-AIS, RLFA conditions, or controlled slips events. Once selected, the desired time-slot position has the programmable idle code in register FRM\_PR22 transmitted to the line interface one frame before implementing the loopback and for the duration of the loopback. This mode can be selected by setting register FRM\_PR24 to 011A4A3A2A1A0, where A4A3A2A1A0 is the binary address of the selected time slot.
- The STSLLB mode loops one and only one received line time slot back to the transmit line. The selected time-slot data is looped to the line after being processed by the receive framer, and it passes through the receive elastic store. The selected time slot has the programmable idle code in register FRM\_PR22 transmitted to the system interface one frame before implementing the loopback and for the duration of the loopback. In CEPT, selecting time slot 0 has the effect of deactivating the current loopback mode while no other action will be taken (time slot 0 will not be looped back to the line and should not be chosen). This mode can be selected by setting register FRM\_PR24 to 100A4A3A2A1A0, where A4A3A2A1A0 is the binary address of the selected time slot.
- The CNUBT mode transmits received-line time slot X to the system in time slots X and time slot 0 (of the next frame). Any time slot can be broadcast. This mode can be selected by setting register FRM\_PR24 to 101A4A3A2A1A0 where A4A3A2A1A0 is the binary address of the selected time slot.
- The PLLB mode loops the received line data and clock back to the transmit line while inserting (replacing) the facility data link in the looped back data. Two variations of the payload loopback are available. In the pass through framing/CRC bit mode (chosen by setting register FRM\_PR24 to 111xxxxx (binary)), the framing and CRC bits are looped back to the line transmit data. In the regenerated framing/CRC bit mode (chosen by setting register FRM\_PR24 to 110xxxxx (binary) and register FRM\_PR10 bit 3 to 0), the framing and CRC bits are regenerated by the transmit framer. The payload loopback is only available for ESF and CEPT modes.
- The CNUCLB mode loops received system time slot X back to the system in time slot 0. The selected time slot is not routed through the receive elastic store buffer and therefore will not be affected by system-AIS, RLFA conditions, or controlled slips. Any time slot can be looped back to the system. Time slot X transmitted to the line is not affected by this loopback mode. Looping received system time slot 0 has no effect on time slot 0 transmitted to the line, i.e., the transmit framer will always overwrite the FAS and NOT FAS data in time slot 0 transmitted to the line. This mode can be selected by setting register FRM\_PR24 to 110A4A3A2A1A0 and register FRM\_PR10 bit 3 to 1, where A4A3A2A1A0 is the binary address of the selected time slot.



## Alarms and Performance Monitoring

(continued)

### Secondary Loopback Modes

There are two secondary loopback modes supported:

- Secondary-single time-slot system loopback (S-STSSLB)
- Secondary-single time-slot line loopback (S-STSLLB)

The loopbacks are described in detail below:

- The secondary-STSSLB mode loops one and only one received system time slot back to the transmit system interface. The selected time-slot data looped back is not processed by either the transmit framer or the receive framer. The selected time slot does not pass through the receive elastic store buffer and therefore will not be affected by system-AIS, RLFA conditions, or controlled slips events. Whenever the secondary loopback register is programmed to the same time slot as the primary register, the primary

loopback mode will control that time slot. Once selected, the desired time-slot position has the programmable line idle code in register FRM\_PR22 transmitted to the line interface one frame before implementing the loopback and for the duration of the loopback.

- The secondary-STSLLB mode loops one and only one line time slot back to the line. The selected time slot data is looped to the line after being processed by the receive framer and it passes through the receive elastic store. The selected time slot has the programmable idle code in register FRM\_PR22 transmitted to the system interface one frame before implementing the loopback and for the duration of the loopback. In CEPT, selecting time slot 0 has the effect of deactivating the current loopback mode while no other action will be taken (time slot 0 will not be looped back to the line and should not be chosen in this mode).

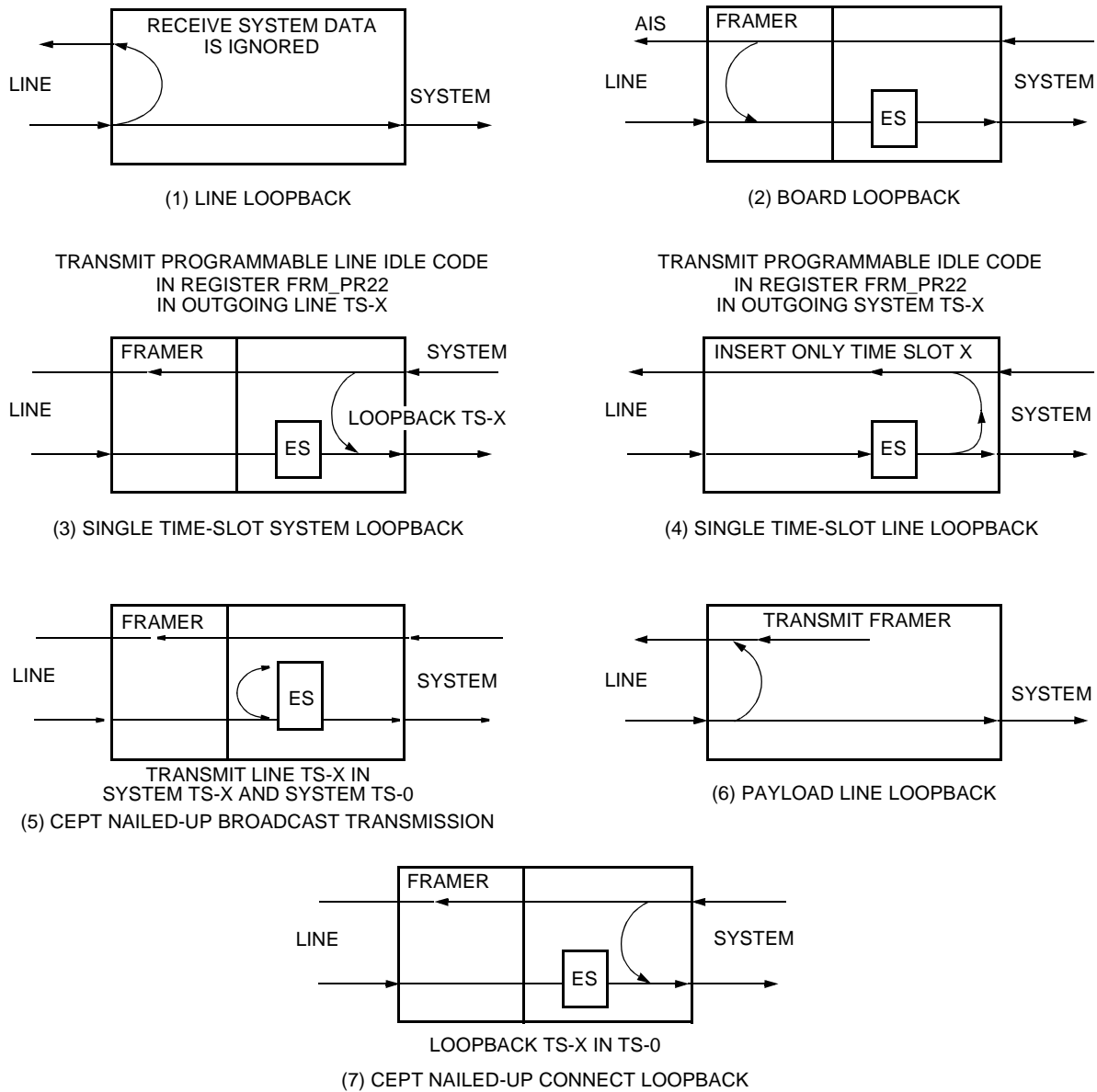
Table 45 defines the deactivation of the two secondary loopback modes as a function of the activation of the primary loopback and test transmission modes.

**Table 45. Summary of the Deactivation of S-STSSLB and S-STSLLB Modes as a Function of Activating the Primary Loopback Modes**

Primary Loopback Mode	Deactivation of S-STSSLB	Deactivation of S-STSLLB
STSSLB	If primary time slot = secondary	If primary time slot = secondary
STSLLB	If primary time slot = secondary	If primary time slot = secondary
BLB	Always	Always
CNUBT	If the secondary time slot is TS0 or if the primary time slot = secondary	If primary time slot = secondary
LLB	Always	Always
NUCLB	If the secondary time slot is TS0 or if the primary time slot = secondary	If primary time slot = secondary
PLLB	Always	Always

Alarms and Performance Monitoring (continued)

Figure 41 illustrates the various loopback modes implemented by each framer unit.



5-3914(F).cr.3

Figure 41. Loopback and Test Transmission Modes

## Alarms and Performance Monitoring (continued)

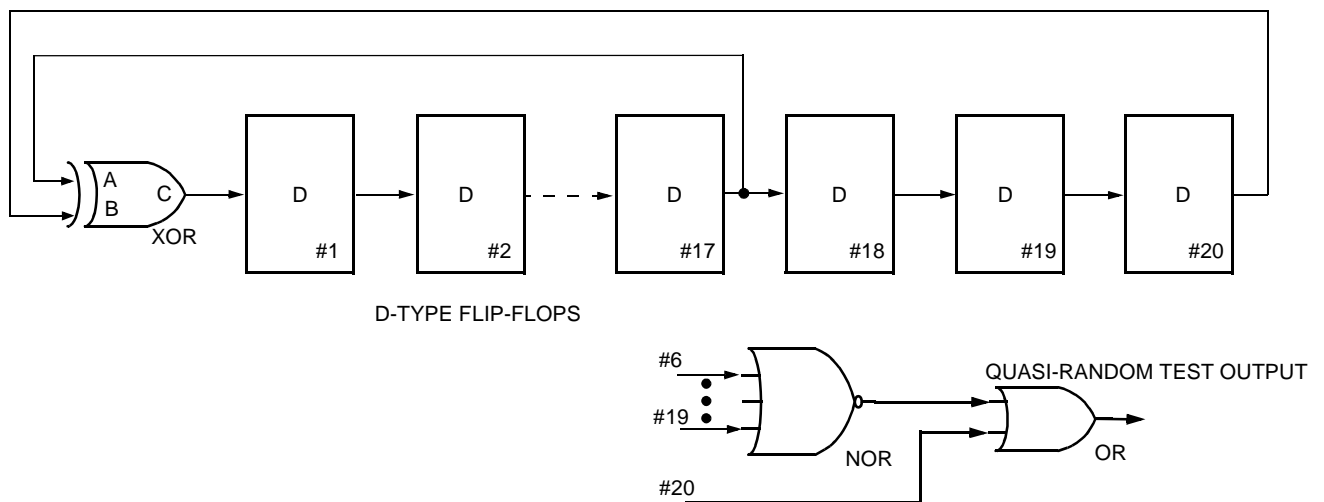
### Line Test Patterns

Test patterns may be transmitted to the line through either register FRM\_PR20 or register FRM\_PR69. Only one of these sources may be active at the same time. Signaling must be inhibited while sending these test patterns.

#### Transmit Line Test Patterns—Using Register FRM\_PR20

The transmit framer can be programmed through register FRM\_PR20 to transmit various test patterns. These test patterns, when enabled, overwrite the received CHI data. The test patterns available using register FRM\_PR20 are:

- The unframed-AIS pattern which consists of a continuous bit stream of ones (. . . 111111 . . .) enabled by setting register FRM\_PR20 bit 0 to 1.
- The unframed-auxiliary pattern which consists of a continuous bit stream of alternating ones and zeros (. . . 10101010 . . .) enabled by setting register FRM\_PR20 bit 1 to 1.
- The quasi-random test signal, enabled by setting register FRM\_PR20 bit 3 to 1, which consists of:
  - A pattern produced by means of a twenty-stage shift register with feedback taken from the 17th and 20th stages via an exclusive-OR gate to the first stage. The output is taken from the 20th stage and is forced to a 1 state whenever the next 14 stages (19 through 6) are all 0. The pattern length is 1,048,575 or  $2^{20} - 1$  bits. This pattern is described in detail in AT&T Technical Reference 62411 [5] Appendix and illustrated in Figure 42.
  - Valid framing bits.
  - Valid transmit facility data link (TFDL) bit information.
  - Valid CRC bits.

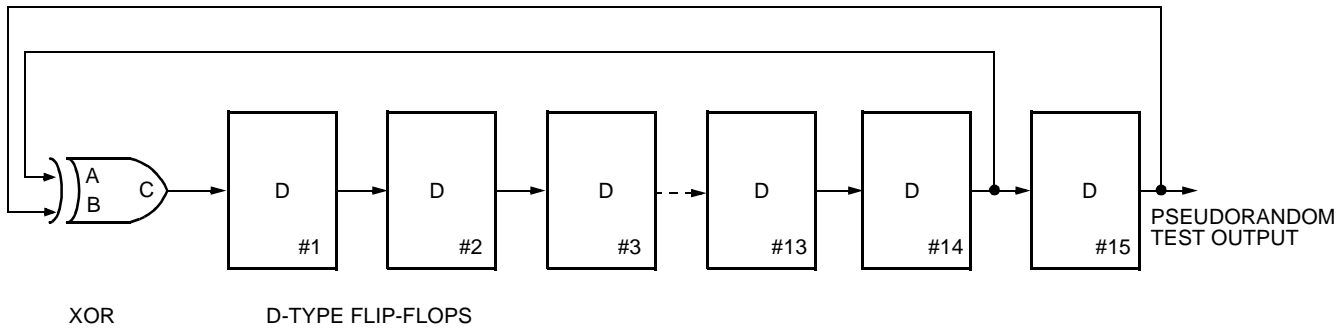


5-3915(F).dr.1

**Figure 42. 20-Stage Shift Register Used to Generate the Quasi-Random Signal**

- The pseudorandom test pattern, enabled by setting register FRM\_PR20 bit 2 to 1, which consists of:
  - A  $2^{15} - 1$  pattern inserted in the entire payload (time slots 1—24 in DS1 and time slots 1—32 in CEPT), as described by ITU Rec. 0.151 and illustrated in Figure 43.
  - Valid framing pattern.
  - Valid transmit facility data link (TFDL) bit data.
  - Valid CRC bits.

Alarms and Performance Monitoring (continued)



5-3915(F).er.1

Figure 43. 15-Stage Shift Register Used to Generate the Pseudorandom Signal

- The idle code test pattern, enabled by setting register FRM\_PR20 bit 6 to 1, which consists of:
  - The programmable idle code, programmed through register FRM\_PR22, in time slots 1—24 in DS1 and 0—31 in CEPT.
  - Valid framing pattern.
  - Valid transmit facility data link (TFDL) bit data.
  - Valid CRC bits.

Transmit Line Test Patterns—Using Register FRM\_PR69

Framed or unframed patterns indicated in Table 46 may be generated and sent to the line by register FRM\_PR69 and by setting register FRM\_PR20 to 00 (hex). Selection of transmission of either a framed or unframed test pattern is made through FRM\_PR69 bit 3. If one of the test patterns of register FRM\_PR69 is enabled, a single bit error can be inserted into the transmitted test pattern by toggling register FRM\_PR69 bit 1 from 0 to 1.

Table 46. Register FRM\_PR69 Test Patterns

Pattern	Register FRM_PR69			
	Bit 7	Bit 6	Bit 5	Bit 4
MARK (all ones AIS)	0	0	0	0
QRSS ( $2^{20} - 1$ with zero suppression)	0	0	0	1
$2^5 - 1$	0	0	1	0
63 ( $2^6 - 1$ )	0	0	1	1
511 ( $2^9 - 1$ )	0	1	0	0
511 ( $2^9 - 1$ ) reversed	0	1	0	1
2047 ( $2^{11} - 1$ )	0	1	1	0
2047 ( $2^{11} - 1$ ) reversed	0	1	1	1
$2^{15} - 1$	1	0	0	0
$2^{20} - 1$	1	0	0	1
$2^{20} - 1$	1	0	1	0
$2^{23} - 1$	1	0	1	1
1:1 (alternating)	1	1	0	0

## Alarms and Performance Monitoring

(continued)

### Receive Line Pattern Monitor—Using Register FRM\_SR7

The receive framer pattern monitor continuously monitors the received line, detects the following fixed framed patterns, and indicates detection in register FRM\_SR7 bit 6 and bit 7.

- The pseudorandom test pattern as described by ITU Rec. O.151 and illustrated in Figure 43. Detection of the pattern is indicated by register FRM\_SR7 bit 6 = 1.
- The quasi-random test pattern described in AT&T Technical Reference 62411[5] Appendix and illustrated in Figure 42. Detection of the pattern is indicated by register FRM\_SR7 bit 7 = 1.

In DS1 mode, the received 193 bit frame must consist of 192 bits of pattern plus 1 bit of framing information. In CEPT mode, the received 256 bit frame must consist of 248 bits of pattern plus 8 bits (TS0) of framing information. No signaling, robbed bit in the case of T1 and TS16 signaling in the case of CEPT, may be present for successful detection of these two test patterns.

To establish lock to the pattern, 256 sequential bits must be received without error. When lock to the pattern is achieved, the appropriate bit of register FRM\_SR7 is set to a 1. Once pattern lock is established, the monitor can withstand up to 32 single bit errors per frame without a loss of lock. Lock will be lost if more than 32 errors occur within a single frame. When such a condition occurs, the appropriate bit of register FRM\_SR7 is deasserted. The monitor then resumes scanning for pattern candidates.

### Receive Line Pattern Detector—Using Register FRM\_PR70

Framed or unframed patterns indicated in Table 47 may be detected using register FRM\_PR70. Detection of the selected test pattern is indicated when register FRM\_SR7 bit 4 is set to 1. Selection of a framed or unframed test pattern is made through FRM\_PR70 bit 3. Bit errors in the received test pattern are indicated when register FRM\_SR7 bit 5 = 1. The bit errors are counted and reported in registers FRM\_SR8 and FRM\_SR9, which are normally the BPV counter registers. (In this test mode, the BPV counter registers do not count BPVs but count only bit errors in the received test pattern.)

**Table 47. Register FRM\_PR70 Test Patterns**

Pattern	Register FRM_PR70			
	Bit 7	Bit 6	Bit 5	Bit 4
MARK (all ones AIS)	0	0	0	0
QRSS ( $2^{20} - 1$ with zero suppression)	0	0	0	1
$2^5 - 1$	0	0	1	0
$63 (2^6 - 1)$	0	0	1	1
$511 (2^9 - 1)$	0	1	0	0
$511 (2^9 - 1)$ reversed	0	1	0	1
$2047 (2^{11} - 1)$	0	1	1	0
$2047 (2^{11} - 1)$ reversed	0	1	1	1
$2^{15} - 1$	1	0	0	0
$2^{20} - 1$	1	0	0	1
$2^{20} - 1$	1	0	1	0
$2^{23} - 1$	1	0	1	1
1:1 (alternating)	1	1	0	0

**Alarms and Performance Monitoring** (continued)

The pattern detector continuously monitors the received line for the particular pattern selected in register FRM\_PR70 bit 7—bit 4 (DPTRN). To establish detector lock to the pattern, 256 sequential bits must be detected. Once the detector has locked onto the selected pattern, it will remain locked to the established alignment and count all unexpected bits as single bit errors until register FRM\_PR70 bit 2 (DBLKSEL) is set to 0.

To select a pattern or change the pattern to be detected, the following programming sequence must be followed.

- DBLKSEL (register FRM\_PR70 bit 2) is set to 0.
- The new pattern to be detected is selected by setting register FRM\_PR70 bit 7—bit 4 to the desired value.
- DBLKSEL (register FRM\_PR70 bit 2) is set to 1.

## Alarms and Performance Monitoring (continued)

### Automatic and On-Demand Commands

Various alarms can be transmitted either automatically as a result of various alarm conditions or on demand. After reset, all automatic transmissions are disabled. The user can enable the automatic or on-demand actions by setting the proper bits in the automatic and on-demand action registers as identified below in Table 48. Table 48 shows the programmable automatically transmitted signals and the triggering mechanisms for each. Table 49 shows the on-demand commands.

**Table 48. Automatic Enable Commands**

Action	Trigger	Enabling Register Bit
Transmit Remote Frame Alarm (RFA)	Loss of frame alignment (RLFA).	FRM_PR27 bit 0 = 1
	Loss of CEPT time slot 16 multiframe alignment (RTS16LMFA).	FRM_PR27 bit 1 = 1
	Loss of CEPT time slot 0 multiframe alignment (RTS0LMFA).	FRM_PR27 bit 2 = 1
	Detection of the timer (100 ms or 400 ms) expiration due to loss of CEPT multiframe alignment.	FRM_PR27 bit 3 = 1 FRM_PR9 bit 7—bit 0 = 0xxxx1x1 or 0xxx1xx1
	Detection of the CEPT RSa6 = 8 (hex) code.	FRM_PR27 bit 4 = 1
	Detection of the CEPT RSa6 = C (hex) code.	FRM_PR27 bit 5 = 1
Transmit CEPT E Bit = 0	Detection of CEPT CRC-4 error.	FRM_PR28 bit 3 = 1
	RTS0LMFA.	FRM_PR28 bit 4 = 1
	Detection of the timer (100 ms or 400 ms) expiration due to loss of CEPT multiframe alignment.	FRM_PR28 bit 5 = 1 FRM_PR9 bit 7—bit 0 = 0xxxx1x1 or 0xxx1xx1
Transmit AIS to System	RLFA.	FRM_PR19 bit 0 = 1
	Detection of the timer (100 ms or 400 ms) expiration due to loss of CEPT multiframe alignment.	FRM_PR19 bit 1 = 1 FRM_PR9 bit 7—bit 0 = 0xxxx1x1 or 0xxx1xx1
Transmit CEPT Time Slot 16 Remote Multiframe Alarm to Line	RTS16LMFA.	FRM_PR41 bit 4 = 1
Transmit CEPT AIS in Time Slot 16 to System	RTS16LMFA.	FRM_PR44 bit 6 = 1
Automatic Enabling of DS1 Line Loopback On/Off	Line loopback on/off code.	FRM_PR19 bit 4 = 1
Automatic Enabling of ESF FDL Line Loopback On/Off	ESF line loopback on/off code.	FRM_PR19 bit 6 = 1
Automatic Enabling of ESF FDL Payload Loopback On/Off	ESF payload loopback on/off code.	FRM_PR19 bit 7 = 1

**Alarms and Performance Monitoring** (continued)

Table 49. On-Demand Commands

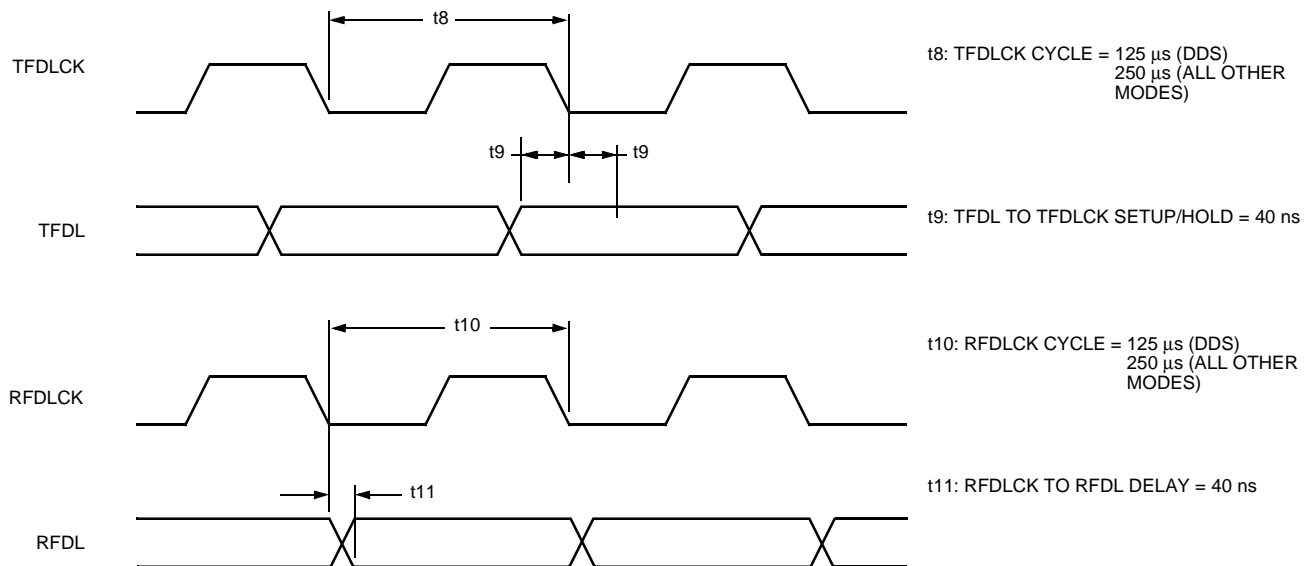
Type	Frame Format	Action	Enabling Register Bit
Transmit Remote Frame Alarm	D4 (Japanese)	Fs bit in frame 12 = 1.	FRM_PR27 bit 6 = 1
	D4 (US)	Bit 2 of all time slots = 0.	FRM_PR27 bit 7 = 1
	DDS	Bit 6 in time slot 24 = 0.	
	ESF	Pattern of 1111111100000000 in the FDL F-bit position.	
	CEPT	A bit = 1.	
Transmit Time Slot 16 Remote Multiframe Alarm to the Line	CEPT	Time slot 16 remote alarm bit = 1.	FRM_PR41 bit 5 = 1
Transmit Data Link AIS (Squelch)	SLC-96, ESF	Transmit data link bit = 1.	FRM_PR21 bit 4 = 1
Transmit Line Test Patterns	All	Transmit test patterns to the line interface.	See Line Test Patterns section on page 91 and Transmit Line Test Patterns—Using Register FRM_PR69 section on page 92.
Transmit System AIS	All	Transmits AIS to the system.	FRM_PR19 bit 3 = 1
Transmit System Signaling AIS (Squelch)	T1	Transmit ABCD = 1111 to the system.	FRM_PR44 bit 1 = 1
	CEPT	Transmit AIS in system time slot 16.	FRM_PR44 bit 7 = 1
Receive Signaling Inhibit	All	Suspend the updating of the receive signaling registers.	FRM_PR44 bit 3 = 1
Receive Framer Reframe	All	Force the receive framer to reframe.	FRM_PR26 bit 2 = 1
Transmit Line Time Slot 16	CEPT	Transmit AIS in time slot 16 to the line.	FRM_PR41 bit 6 = 1
Enable Loopback	All	Enables system and line loopbacks.	See Loopback and Transmission Modes section on page 88.
Framer Software Reset	All	The framer and FDL are placed in the reset state for four RCLK clock cycles. The framer parameter registers are forced to the default value.	FRM_PR26 bit 0 = 1
Framer Software Restart	All	The framer and FDL are placed in the reset state as long as this bit is set to 1. The framer parameter registers are not changed from their programmed values.	FRM_PR26 bit 1 = 1



## Facility Data Link (FDL)

Data may be extracted from and inserted into the facility data link in *SLC-96*, *DDS*, *ESF*, and *CEPT* framing formats. In *CEPT*, any one of the *Sa* bits can be declared as the facility data link by programming register *FRM\_PR43* bit 0—bit 2. Access to the FDL is made through:

- The FDL pins (*RFDL*, *RFDLCK*, *TFDL*, and *TFDLCK*). Figure 28 shows the timing of these signals.
- The 64-byte FIFO of the FDL HDLC block. FDL information passing through the FDL HDLC section may be framed in HDLC format or passed through transparently



5-3910(F).cr.1

**Figure 44. T7630 Facility Data Link Access Timing of the Transmit and Receive Framer Sections**

In the *ESF* frame format, automatic assembly and transmission of the performance report message (*PRM*) as defined in both *ANSI T1.403-1995* and Bellcore's *TR-TSY-000194 Issue 1, 12—87* is managed by the receive framer and transmit FDL sections. The *ANSI T1.403-1995* bit-oriented data link messages (*BOM*) can be transmitted by the transmit FDL section and recognized and stored by the receive FDL section.

## Receive Facility Data Link Interface

### Summary

A brief summary of the receive facility data link functions is given below:

- **Bit-oriented message (BOM) operation.** The *ANSI T1.403-1995* bit-oriented data link messages are recognized and stored in register *FDL\_SR3*. The number of times that an *ANSI* code must be received for detection can be programmed from 1 to 10 by writing to register *FDL\_PR0* bit 4—bit 7. When a valid *ANSI* code is detected, register *FDL\_SR0* bit 7 (*FRANSI*) is set.
- **HDLC operation.** This is the default mode of operation when the FDL receiver is enabled (register *FDL\_PR1* bit 2 = 1). The HDLC framer detects the HDLC flags, checks the CRC bytes, and stores the data in the FDL receiver FIFO (register *FDL\_SR4*) along with a status of frame (*SF*) byte.
- **HDLC operation with performance report messages (PRM).** This mode is enabled by setting register *FDL\_PR1* bit 2 and bit 6 to 1. In this case, the receive FDL will store the 13 bytes of the *PRM* report field in the FDL receive FIFO (register *FDL\_SR4*) along with a status of frame (*SF*) byte.



**Facility Data Link (FDL)** (continued)

The received ANS/FDL status byte, register FDL\_SR3, has the following format.

**Table 50. Receive ANS/ Code**

B7	B6	B5	B4	B3	B2	B1	B0
0	0	X5	X4	X3	X2	X1	X0

**Receive ANS/ Performance Report Messages (PRM)**

As defined in ANS/T1.403, the performance report messages consist of 15 bytes, starting and ending with an HDLC flag. The receive framer status information consists of four pairs of octets, as shown in Table 51. Upon detection of the PRM message, the receive FDL extracts the 13 bytes of the PRM report field and stores it in the receive FDL FIFO along with the status of frame byte.

**Table 51. Performance Report Message Structure\***

Octet Number	PRM B7	PRM B6	PRM B5	PRM B4	PRM B3	PRM B2	PRM B1	PRM B0
1	Flag							
2	SAPI						C/R	EA
3	TEI							EA
4	Control							
5	G3	LV	G4	U1	U2	G5	SL	G6
6	FE	SE	LB	G1	R	G2	Nm	NI
7	G3	LV	G4	U1	U2	G5	SL	G6
8	FE	SE	LB	G1	R	G2	Nm	NI
9	G3	LV	G4	U1	U2	G5	SL	G6
10	FE	SE	LB	G1	R	G2	Nm	NI
11	G3	LV	G4	U1	U2	G5	SL	G6
12	FE	SE	LB	G1	R	G2	Nm	NI
13—14	FCS							
15	Flag							

\* The rightmost bit (bit 1) is transmitted first for all fields except for the 2 bytes of the FCS that are transmitted leftmost bit (bit 8) first.

The definition of each PRM field is shown in Table 52, and octet content is shown in Table 53.

## Facility Data Link (FDL) (continued)

Table 52. FDL Performance Report Message Field Definition

PRM Field	Definition
G1 = 1	CRC Error Event = 1
G2 = 1	1 < CRC Error Event ≤ 5
G3 = 1	5 < CRC Error Event ≤ 10
G4 = 1	10 < CRC Error Event ≤ 100
G5 = 1	100 < CRC Error Event ≤ 319
G6 = 1	CRC Error Event ≥ 320
SE = 1	Severely Errored Framing Event ≥ 1 (FE will = 0)
FE = 1	Frame Synchronization Bit Error Event ≥ 1 (SE will = 0)
LV = 1	Line Code Violation Event ≥ 1
SL = 1	Slip Event ≥ 1
LB = 1	Payload Loopback Activated
U1, U2 = 0	Reserved
R = 0	Reserved (default value = 0)
Nm, NI = 00, 01, 10, 11	One-Second Report Modulo 4 Counter

Table 53. Octet Contents and Definition

Octet Number	Octet Contents	Definition
1	01111110	Opening LAPD Flag
2	00111000 00111010	From CI: SAPI = 14, C/R = 0, EA = 0 From Carrier: SAPI = 14, C/R = 1, EA = 0
3	00000001	TEI = 0, EA = 1
4	00000011	Unacknowledged Frame
5, 6	Variable	Data for Latest Second (T)
7, 8	Variable	Data for Previous Second (T - 1)
9, 10	Variable	Data for Earlier Second (T - 2)
11, 12	Variable	Data for Earlier Second (T - 3)
13, 14	Variable	CRC-16 Frame Check Sequence
15	01111110	Closing LAPD Flag

## Facility Data Link (FDL) (continued)

### Receive HDLC Mode

This is the default mode of the FDL. The receive FDL receives serial data from the receive framer, identifies HDLC frames, reconstructs data bytes, provides bit destuffing as necessary, and loads parallel data in the receive FIFO. The receive queue manager forms a status of frame (SF) byte for each HDLC frame and stores the SF byte in the receive FDL FIFO (register FDL\_SR4) after the last data byte of the associated frame. HDLC frames consisting of  $n$  bytes will have  $n + 1$  bytes stored in the receive FIFO. The frame check sequence bytes (CRC) of the received HDLC frame are not stored in the receive FIFO. When receiving ANS/PRM frames, the frame check sequence bytes are stored in the receive FIFO.

The SF byte has the following format.

**Table 54. Receive Status of Frame Byte**

RSF B7	RSF B6	RSF B5	RSF B4	RSF B3	RSF B2	RSF B1	RSF B0
BAD CRC	ABORT	RFIFO OVERRUN	BAD BYTE COUNT	0	0	0	0

Bit 7 of the SF status byte is the CRC status bit. A 1 indicates that an incorrect CRC was detected. A 0 indicates the CRC is correct. Bit 6 of the SF status byte is the abort status. A 1 indicates the frame associated with this status byte was aborted (i.e., the abort sequence was detected after an opening flag and before a subsequent closing flag). An abort can also cause bits 7 and/or 4 to be set to 1. An abort is not reported when a flag is followed by seven ones. Bit 5 is the FIFO overrun bit. A 1 indicates that a receive FIFO overrun occurred (the 64-byte FIFO size was exceeded). Bit 4 is the FIFO bad byte count that indicates whether or not the bit count received was a multiple of eight (i.e., an integer number of bytes). A 1 indicates that the bit count received after 0-bit deletion was not a multiple of eight, and a 0 indicates that the bit count was a multiple of eight. When a nonbyte-aligned frame is received, all bits received are present in the receive FIFO. The byte before the SF status byte contains less than eight valid data bits. The HDLC block provides no indication of how many of the bits in the byte are valid. User application programming controls processing of nonbyte-aligned frames. Bit 3—bit 0 of the SF status byte are not used and are set to 0. A good frame is implied when the SF status byte is 00 (hex).

### Receive FDL FIFO

Whenever an SF byte is present in the receive FIFO, the end of frame registers FDL\_SR0 bit 4 (FREOF) and FDL\_SR2 bit 7 (FEOF) bits are set. The receiver queue status (register FDL\_SR2 bit 0—bit 6) bits report the number of bytes up to and including the first SF byte. If no SF byte is present in the receive FIFO, the count directly reflects the number of data bytes available to be read. Depending on the FDL frame size, it is possible for multiple frames to be present in the receive FIFO. The receive fill level indicator register FDL\_PR6 bit 0—bit 5 (FRIL) can be programmed to tailor the service time interval to the system. The receive FIFO full register FDL\_SR0 bit 3 (FRF) interrupt is set in the interrupt status register when the receive FIFO reaches the preprogrammed full position. An FREOF interrupt is also issued when the receiver has identified the end of frame and has written the SF byte for that frame. An FDL overrun interrupt register FDL\_SR0 bit 5 (FROVERUN) is generated when the receiver needs to write either status or data to the receive FIFO while the receive FIFO is full. An overrun condition will cause the last byte of the receive FIFO to be overwritten with an SF byte indicating the overrun status. A receive idle register FDL\_SR0 bit 6 (FRIDL) interrupt is issued whenever 15 or more continuous ones have been detected.

## Facility Data Link (FDL) (continued)

The receive queue status bits, register FDL\_SR2 bit 0—bit 6 (FRQS), are updated as bytes are loaded into the receive FIFO. The SF status byte is included in the byte count. When the first SF status byte is placed in the FIFO, register FDL\_SR0 bit 4 (FEOF) is set to 1, and the status freezes until the FIFO is read. As bytes are read from the FIFO, the queue status decrements until it reads 1. The byte read when register FDL\_SR2 bit 0—bit 6 = 0000001 and the FEOF bit is 1 is the SF status byte describing the error status of the frame just read. Once the first SF status byte is read from the FIFO, the FIFO status is updated to report the number of bytes to the next SF status byte, if any, or the number of additional bytes present. When FEOF is 0, no SF status byte is currently present in the FIFO, and the FRQS bits report the number of bytes present. As bytes are read from the FIFO, the queue status decrements with each read until it reads 0 when the FIFO is totally empty. The FEOF bit is also 0 when the FIFO is completely empty. Thus, the FRQS and FEOF bits provide a mechanism to recognize the end of 1 frame and the beginning of another. Reading the FDL receiver status register does not affect the FIFO buffers. In the event of a receiver overrun, an SF status byte is written to the receive FIFO. Multiple SF status bytes can be present in the FIFO. The FRQS reports only the number of bytes to the first SF status byte. If FRQS is 0, do not read the receive FIFO. A read will result in corruption of receive FIFO.

To allow users to tailor receiver FIFO service intervals to their systems, the receiver interrupt level bits in register FDL\_PR6 bit 0—bit 5 (FRIL) are provided. These bits are coded in binary and determine when the receiver full interrupt, register FDL\_SR0 bit 3 (FRF), is asserted. The interrupt pin transition can be masked by setting register FDL\_PR2 bit 3 (FRFIE) to 0. The value programmed in the FRIL bits equals the total number of bytes necessary to be present in the FIFO to trigger an FRF interrupt. The FRF interrupt alone is not sufficient to determine the number of bytes to read, since some of the bytes may be SF status bytes. The FRQS bits and FEOF bit allow the user to determine the number of bytes to read. The FEOF interrupt can be the only interrupt for the final frame of a group of frames, since the number of bytes received to the end of the frame cannot be sufficient to trigger an FRF interrupt.

**Programming Note:** Since the receiver writing to the receive FIFO and the host reading from the receive FIFO are asynchronous events, it is possible for a host read to put the number of bytes in the receive FIFO just below the programmed FRIL level and a receiver write to put it back above the FRIL level. This causes a new FRF interrupt and has the potential to cause software problems. It is recommended that during service of the FRF interrupt, the FRF interrupt be masked FRFIE = 0 and the interrupt register be read at the end of the service routine, discarding any FRF interrupt seen before unmasking the FRF interrupt.

### Receiver Overrun

A receiver overrun occurs if the 64-byte limit of the receiver FIFO is exceeded, i.e., data has been received faster than it has been read out of the receive FIFO. Upon overrun, an SF status byte with the overrun bit (bit 5) set to 1 replaces the last byte in the FIFO. The SF status byte can have other error conditions present. For example, it is unlikely the CRC is correct. Thus, care should be taken to prioritize the possible frame errors in the software service routine. The last byte in the FIFO is overwritten with the SF status byte regardless of the type of byte (data or SF status) being overwritten. The overrun condition is reported in register FDL\_SR0 bit 5 and causes the interrupt pin to be asserted if it is not masked (register FDL\_PR2 bit 5 (FROVIE)). Data is ignored until the condition is cleared and a new frame begins. The overrun condition is cleared by reading register FDL\_SR0 bit 5 and reading at least 1 byte from the receive FIFO. Because multiple frames can be present in the FIFO, good frames as well as the overrun frame can be present. The host can determine the overrun frame by looking at the SF status byte.

## Facility Data Link (FDL) (continued)

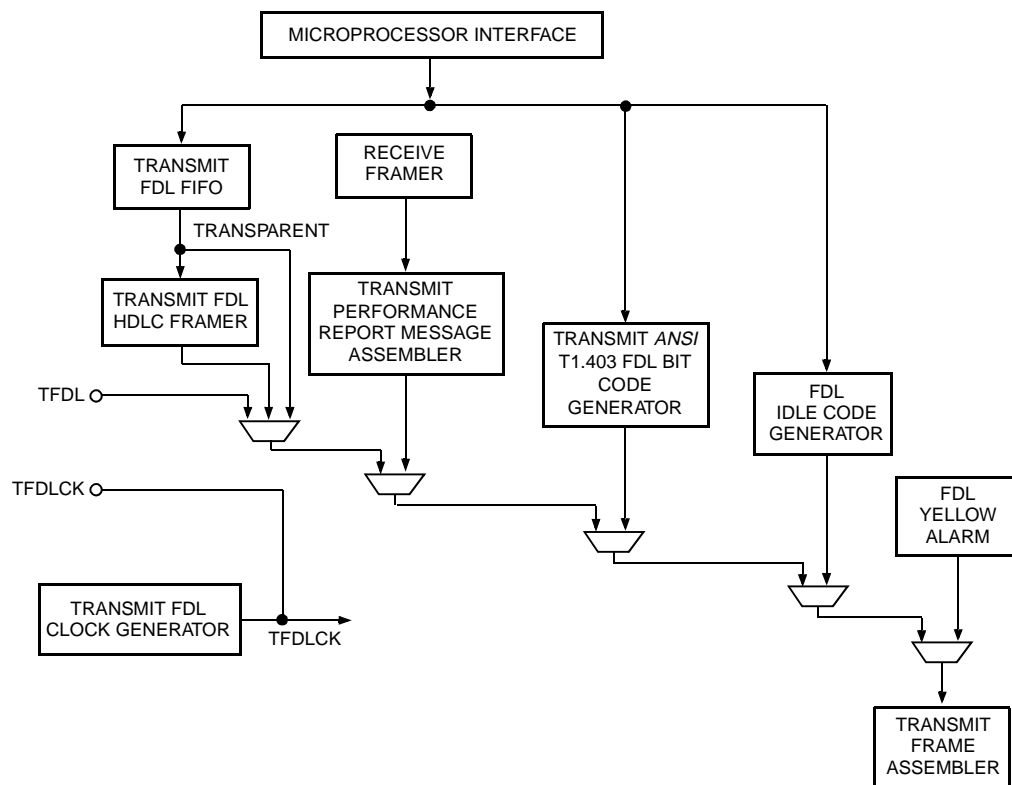
### Transmit Facility Data Link Interface

The FDL interface of the transmit framer is shown in Figure 46, indicating the priority of the FDL sources.

The remote frame alarm, enabled using register FRM\_PR27, is given the highest transmission priority by the transmit framer.

The *ANSI* T1.403-1995 bit-oriented data link message transmission is given priority over performance report messages, and the automatic transmission of the performance report messages is given priority over FDL HDLC transmission. Idle code is generated by the FDL unit when no other transmission is enabled.

The FDL transmitter is enabled by setting register FDL\_PR1 bit 3 to 1.



5-4561(F).a

Figure 46. Block Diagram for the Transmit Facility Data Link Interface

### Transmit *ANSI* T1.403 Bit-Oriented Messages (BOM)

When the *ANSI* BOM mode is enabled by setting register FDL\_PR10 bit 7 to 1, the transmit FDL can send any of the *ANSI* T1.403 ESF bit-oriented messages automatically through the FDL bit in the frame.

The transmit ESF FDL bit-oriented messages of the form 11111110X<sub>0</sub>X<sub>1</sub>X<sub>2</sub>X<sub>3</sub>X<sub>4</sub>X<sub>5</sub>0 are taken from the transmit *ANSI* FDL parameter register FDL\_PR10 bit 0—bit 5. The ESF FDL bit-oriented messages will be repeated while register FDL\_PR10 bit 7 (FTANSI) is set to 1.

**Facility Data Link (FDL)** (continued)**Transmit ANS/ Performance Report Messages (PRM)**

When the ANS/ PRM mode is enabled by setting register FDL\_PR1 bit 7 to 1, the transmit FDL assembles and transmits the ANS/ performance report message once every second.

After assembling the ANS/ PRM message, the receive framer stores the current second of the message in registers FRM\_SR62 and FRM\_SR63 and transfers the data to the FDL transmit FIFO. After accumulating three seconds (8 bytes) of the message, the FDL transmit block appends the header and the trailer (including the opening and closing flags) to the PRM messages and transmits it to the framer for transmission to the line.

Tables 51—53 show the complete format of the PRM HDLC packet.

**HDLC Operation**

HDLC operation is the default mode of operation. The transmitter accepts parallel data from the transmit FIFO, converts it to a serial bit stream, provides bit stuffing as necessary, adds the CRC-16 and the opening and closing flags, and sends the framed serial bit stream to the transmit framer. HDLC frames on the serial link have the following format.

**Table 55. HDLC Frame Format**

Opening Flag	User Data Field	Frame Check Sequence (CRC)	Closing Flag
01111110	≥8 bits	16 bits	01111110

All bits between the opening flag and the CRC are considered user data bits. User data bits such as the address, control, and information fields for LAPB or LAPD frames are fetched from the transmit FIFO for transmission. The 16 bits preceding the closing flag are the frame check sequence, cyclic redundancy check (CRC), bits.

**Zero-Bit Insertion/Deletion (Bit Stuffing/Destuffing)**

The HDLC protocol recognizes three special bit patterns: flags, aborts, and idles. These patterns have the common characteristic of containing at least six consecutive ones. A user data byte can contain one of these special patterns. Transmitter zero-bit stuffing is done on user data and CRC fields of the frame to avoid transmitting one of these special patterns. Whenever five ones occur between flags, a 0 bit is automatically inserted after the fifth 1, prior to transmission of the next bit. On the receive side, if five successive ones are detected followed by a 0, the 0 is assumed to have been inserted and is deleted (bit destuffing).



## Facility Data Link (FDL) (continued)

### Flags\*

All flags have the bit pattern 01111110 and are used for frame synchronization. The FDL HDLC block automatically sends two flags between frames. If the chip-configuration register FDL\_PR0 bit 1 (FLAGS) is cleared to 0, the ones idle byte (11111111) is sent between frames if no data is present in the FIFO. If FLAGS is set to 1, the FDL HDLC block sends continuous flags when the transmit FIFO is empty. The FDL HDLC does not transmit consecutive frames with a shared flag; therefore, two successive flags will not share the intermediate 0.

An opening flag is generated at the beginning of a frame (indicated by the presence of data in the transmit FIFO and the transmitter enable register FDL\_PR1 bit 3 = 1). Data is transmitted per the HDLC protocol until a byte is read from the FIFO while register FDL\_PR3 bit 7 (FTFC) set to 1. The FDL HDLC block follows this last user data byte with the CRC sequence and a closing flag.

The receiver recognizes the 01111110 pattern as a flag. Two successive flags may or may not share the intermediate 0 bit and are identified as two flags (i.e., both 011111101111110 and 011111100111110 are recognized as flags by the FDL HDLC block). When the second flag is identified, it is treated as the closing flag. As mentioned above, a flag sequence in the user data or CRC bits is prevented by zero-bit insertion and deletion. The HDLC receiver recognizes a single flag between frames as both a closing and opening flag.

### Aborts

An abort is indicated by the bit pattern of the sequence 01111111. A frame can be aborted by writing a 1 to register FDL\_PR3 bit 6 (FTABT). This causes the last byte written to the transmit FIFO to be replaced with the abort sequence upon transmission. Once a byte is tagged by a write to FTABT, it cannot be cleared by subsequent writes to register FDL\_PR3. FTABT has higher priority than FDL transmit frame complete (FTFC), but FTABT and FTFC should never be set to 1 simultaneously since this causes the transmitter to enter an invalid state requiring a transmitter reset to clear. A frame should not be aborted in the very first byte following the opening flag. An easy way to avoid this situation is to first write a dummy byte into the queue and then write the abort command to the queue.

When receiving a frame, the receiver recognizes the abort sequence whenever it receives a 0 followed by seven consecutive ones. The receive FDL unit will abort a frame whenever the receive framer detects a loss of frame alignment. This results in the abort bit, and possibly the bad byte count bit and/or bad CRC bits, being set in the status of frame status byte (see Table 54) which is appended to the receive data queue. All subsequent bytes are ignored until a valid opening flag is received.

### Idles

In accordance with the HDLC protocol, the HDLC block recognizes 15 or more contiguous received ones as idle. When the HDLC block receives 15 contiguous ones, the receiver idle bit register FDL\_SR0 bit 6 (RIDL) is set.

For transmission, the ones idle byte is defined as the binary pattern 11111111 (FF (hex)). If the FLAGS control bit in register FDL\_PR0 bit 1 is 0, the ones idle byte is sent as the time-fill byte between frames. A time-fill byte is sent when the transmit FIFO is empty and the transmitter has completed transmission of all previous frames. Frames are sent back-to-back otherwise.

### CRC-16

For given user data bits, 16 additional bits that constitute an error-detecting code (CRC-16) are added by the transmitter. As called for in the HDLC protocol, the frame check sequence bits are transmitted most significant bit first and are bit stuffed. The cyclic redundancy check (or frame check sequence) is calculated as a function of the transmitted bits by using the ITU-T standard polynomial:

$$x^{16} + x^{12} + x^5 + 1$$

The transmitter can be instructed to transmit a corrupted CRC by setting register FDL\_PR2 bit 7 (FTBCRC) to 1. As long as the FTBCRC bit is set, the CRC is corrupted for each frame transmitted by logically flipping the least significant bit of the transmitted CRC.

The receiver performs the same calculation on the received bits after destuffing and compares the results to the received CRC-16 bits. An error indication occurs if, and only if, there is a mismatch.

\* Regardless of the time-fill byte used, there always is an opening and closing flag with each frame. Back-to-back frames are separated by two flags.

## Facility Data Link (FDL) (continued)

### Transmit FDL FIFO

Transmit FDL data is loaded into the 64-byte transmit FIFO via the transmit FDL data register, FDL\_PR4. The transmit FDL status register indicates how many additional bytes can be added to the transmit FIFO. The transmit FDL interrupt trigger level register FDL\_PR3 bit 0—bit 5 (FTIL) can be programmed to tailor service time intervals to the system environment. The transmitter empty interrupt bit is set in the FDL interrupt status register FDL\_SR0 bit 1 (FTEM) when the transmit FIFO has sufficient empty space to add the number of bytes specified in register FDL\_PR3 bit 0—bit 5. There is no interrupt indicated for a transmitter overrun that is writing more data than empty spaces exist. Overrunning the transmitter causes the last valid data byte written to be repeatedly overwritten, resulting in missing data in the frame.

Data associated with multiple frames can be written to the transmit FIFO by the controlling microprocessor. However, all frames must be explicitly tagged with a transmit frame complete, register FDL\_PR3 bit 7 (FTFC), or a transmit abort, register FDL\_PR3 bit 6 (FTABT). The FTFC is tagged onto the last byte of a frame written into the transmitter FIFO and instructs the transmitter to end the frame and attach the CRC and closing flag following the tagged byte. Once written, the FTFC cannot be changed by another write to register FDL\_PR3. If FTFC is not written before the last data byte is read out for transmission, an underrun occurs (FDL\_SR0 bit 2). When the transmitter has completed a frame, with a closing flag or an abort sequence, register FDL\_SR0 bit 0 (FTDONE) is set to 1. An interrupt is generated if FDL\_PR2 bit 0 (FTDIE) is set to 1.

### Sending 1-Byte Frames

Sending 1-byte frames with an empty transmit FIFO is not recommended. If the FIFO is empty, writing two data bytes to the FIFO before setting FTFC provides a minimum of eight TFDLCK periods to set FTFC. When 1 byte is written to the FIFO, FTFC must be written within 1 TFDLCK period to guarantee that it is effective. Thus, 1-byte frames are subject to underrun aborts. One-byte frames cannot be aborted with FTABT. Placing the transmitter in ones-idle mode, register FDL\_PR0 bit 1 (FLAGS) = 0, lessens the frequency of underruns. If the transmit FIFO is not empty, then 1-byte frames present no problems.

### Transmitter Underrun

After writing a byte to the transmit queue, the user has eight TFDLCK cycles in which to write the next byte before a transmitter underrun occurs. An underrun occurs when the transmitter has finished transmitting all the bytes in the queue, but the frame has not yet been closed by setting FTFC. When a transmitter underrun occurs, the abort sequence is sent at the end of the last valid byte transmitted. A FTDONE interrupt is generated, and the transmitter reports an underrun abort until the interrupt status register is read.

### Using the Transmitter Status and Fill Level

The transmitter-interrupt level bits, register FDL\_PR3 bit 0—bit 5, allow the user to instruct the FDL HDLC block to interrupt the host processor whenever the transmitter has a predetermined number of empty locations. The number of locations selected determines the time between transmitter empty, register FRM\_SR0 bit 1 (FTEM), interrupts. The transmitter status bits, register FDL\_SR1, report the number of empty locations in the FDL transmitter FIFO. The transmitter empty dynamic bit, register FDL\_SR1 bit 7 (FTED), like the FTEM interrupt bit, is set to 1 when the number of empty locations is less than or equal to the programmed empty level. FTED returns to 0 when the transmitter is filled to above the programmed empty level. Polled interrupt systems can use FTED to determine when they can write to the FDL transmit FIFO.

## Facility Data Link (FDL) (continued)

### Transparent Mode

The FDL HDLC block can be programmed to operate in the transparent mode by setting register FDL\_PR9 bit 6 (FTRANS) to 1. In the transparent mode of operation, no HDLC processing is performed on user data. The transparent mode can be exited at any time by setting FDL\_PR9 bit 6 (FTRANS) to 0. It is recommended that the transmitter be disabled when changing in and out of transparent mode. The transmitter should be reset by setting FDL\_PR1 bit 5 (FTR) to 1 whenever the mode is changed.

In the transmit direction, the FDL HDLC takes data from the transmit FIFO and transmits that data exactly bit-for-bit on the TFDL interface. Transmit data is octet-aligned to the first TFDLCK after the transmitter has been enabled. The bits are transmitted least significant bit first. When there is no data in the transmit FIFO, the FDL HDLC either transmits all ones, or transmits the programmed HDLC transmitter idle character (register FDL\_PR5) if register FDL\_PR9 bit 6 (FMATCH) is set to 1. To cause the transmit idle character to be sent first, the character must be programmed before the transmitter is enabled.

The transmitter empty interrupt, register FDL\_SR0 bit 1 (FTEM), acts as in the HDLC mode. The transmitter-done interrupt, register FDL\_SR0 bit 0 (FTDONE), is used to report an empty FDL transmit FIFO. The FTDONE interrupt thus provides a way to determine transmission end. Register FDL\_SR0 bit 2 (FTUNDABT) interrupt is not active in the transparent mode.

In the receive direction, the FDL HDLC block loads received data from the RFDL interface directly into the receive FIFO bit-for-bit. The data is assumed to be least significant bit first. If FMATCH register FDL\_PR9 bit 6 is 0, the receiver begins loading data into the receive FIFO beginning with the first RFDLCK detected after the receiver has been enabled. If the FMATCH bit

is set to 1, the receiver does not begin loading data into the FIFO until the receiver match character has been detected. The search for the receiver match character is in a sliding window fashion if register FDL\_PR9 bit 4 (FALOCT) bit is 0 (align to octet), or only on octet boundaries if FALOCT is set to 1. The octet boundary is aligned relative to the first RFDLCK after the receiver has been enabled. The matched character and all subsequent bytes are placed in the receive FIFO. An FDL receiver reset, register FDL\_PR1 bit 4 (FRR) = 1, causes the receiver to realign to the match character if FMATCH is set to 1.

The receiver full (FRF) and receiver overrun (FROVERUN) interrupts in register FDL\_SR0 act as in the HDLC mode. The received end of frame (FREOF) and receiver idle (FRIDL) interrupts are not used in the transparent mode. The match status (FMSTAT) bit is set to 1 when the receiver match character is first recognized. If the FMATCH bit is 0, the FMSTAT (FDL\_PR9 bit 3) bit is set to 1 automatically when the first bit is received, and the octet offset status bits (FDL\_PR9 bit 0—bit 2) read 000. If the FMATCH bit is programmed to 1, the FMSTAT bit is set to 1 upon recognition of the first receiver match character, and the octet offset status bits indicate the offset relative to the octet boundary at which the receiver match character was recognized. The octet offset status bits have no meaning until the FMSTAT bit is set to 1. An octet offset of 111 indicates byte alignment.

An interrupt for recognition of the match character can be generated by setting the FRIL level to 1. Since the matched character is the first byte written to the FIFO, the FRF interrupt occurs with the writing of the match character to the receive FIFO.

**Programming Note:** The match bit (FMATCH) affects both the transmitter and the receiver. Care should be taken to correctly program both the transmit idle character and the receive match character before setting FMATCH. If the transmit idle character is programmed to FF (hex), the FMATCH bit appears to affect only the receiver.

**Facility Data Link (FDL)** (continued)

The operation of the receiver in transparent mode is summarized in Table 56.

**Table 56. Receiver Operation in Transparent Mode**

FALOCK	FMATCH	Receiver Operation
X	0	Serial-to-parallel conversion begins with first RFDLCK after FRE, register FDL_PR1 bit 2, is set. Data loaded to receive FIFO immediately.
0	1	Match user-defined character using sliding window. Byte aligns once character is recognized. No data to receive FIFO until match is detected.
1	1	Match user-defined character, but only on octet boundary. Boundary based on first RFDLCK after FRE, register FDL_PR1 bit 2, set. No data to receive FIFO until match is detected.

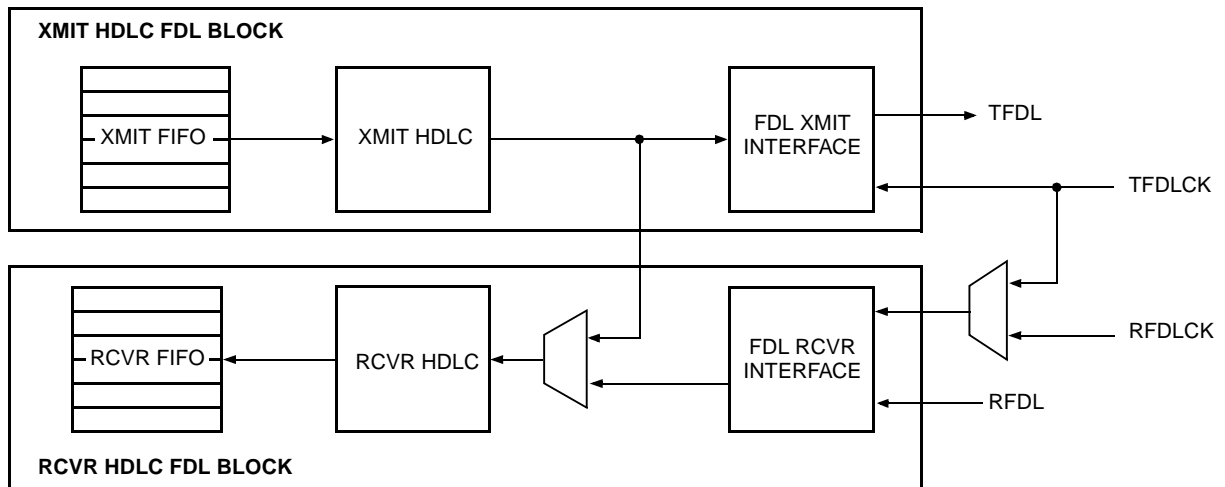
**Diagnostic Modes****Loopbacks**

The serial link interface can operate in two diagnostic loopback modes: (1) local loopback and (2) remote loopback. The local loopback mode is selected when register FDL\_PR1 bit 1 (FLLB) is set to 1. The remote loopback is selected when register FDL\_PR1 bit 0 (FRLB) is set to 1. For normal traffic, i.e., to operate the transmitter and receiver independently, the FLLP bit and the FRLB bits should both be cleared to 0. Local and remote loopbacks cannot be enabled simultaneously.

In the local loopback mode:

- TFDLCK clocks both the transmitter and the receiver.
- The transmitter and receiver must both be enabled.
- The transmitter output is internally connected to the receiver input.
- The TFDL is active.
- The RFDL input is ignored.
- The communication between the transmit and receive FIFO buffers and the microprocessor continues normally.

Facility Data Link (FDL) (continued)

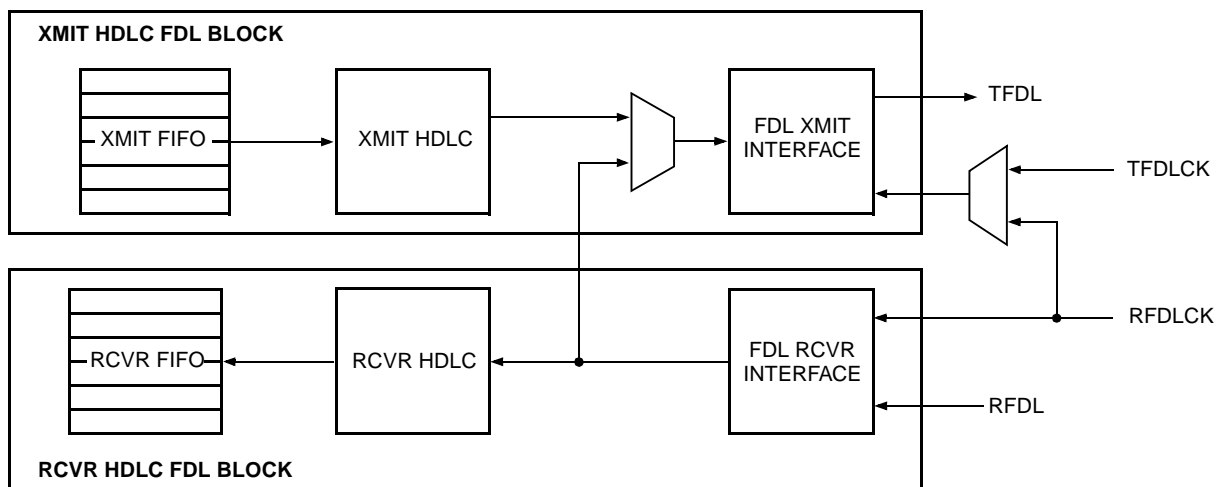


5-4562(F)r.2

Figure 47. Local Loopback Mode

In the remote loopback mode:

- Transmitted data is retimed with a maximum delay of 2 bits.
- Received data is retransmitted on the TFDL.
- The transmitter should be disabled. The receiver can be disabled or enabled. Received data is sent as usual to the receive FIFO if the receiver is denabled.



5-4563(F)r.1

Figure 48. Remote Loopback Mode

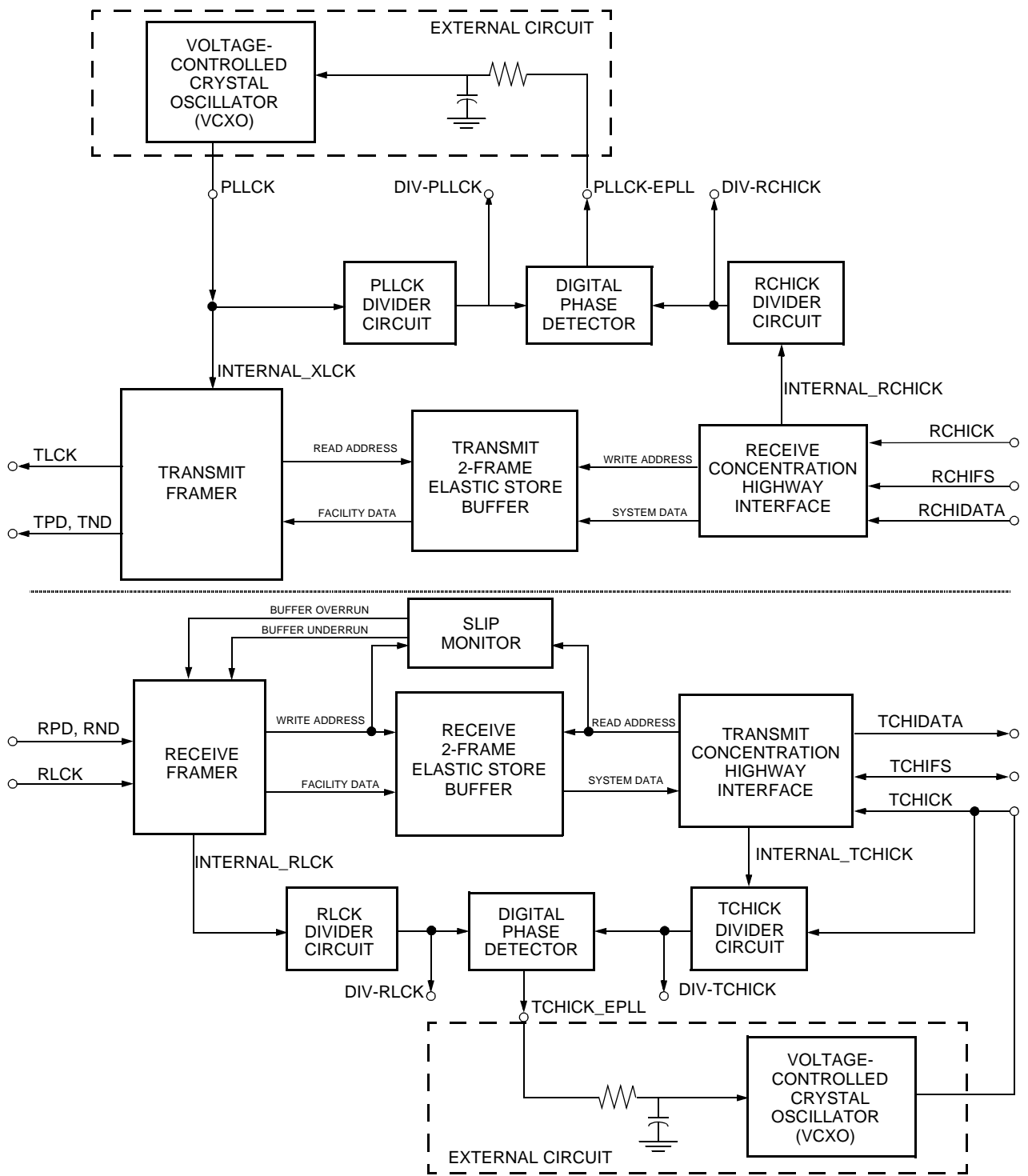
## Phase-Lock Loop Circuit

The T7630 allows for independent transmit path and receive path clocking. The device provides outputs to control variable clock oscillators on both the transmit and receive paths. As such, the system may have both the transmit and receive paths phase-locked to two autonomous clock sources.

The block diagram of the T7630 phase detector circuitry is shown in Figure 49. The T7630 uses elastic store buffers (two frames) to accommodate the transfer of data from the system interface clock rate of 2.048 Mb/s to the line interface clock rate of either 1.544 Mb/s or 2.048 Mb/s. The transmit line side of the T7630 does not have any mechanism to monitor data overruns or underruns (slips) in its elastic store buffer. This interface relies on the requirement that the PLLCK clock signal (variable) is phase-locked to the RCHICK clock signal (reference). When this requirement is not met, uncontrolled slips may occur in the transmit elastic store buffer that would result in corrupting data and no indication will be given. Typically, a variable clock oscillator (VCXO) is used to drive the PLLCK signal. The T7630 provides a phase error signal (PLLCK-EPLL) that can be used to control the VCXO. The PLLCK-EPLL signal is generated by monitoring the divided-down PLLCK (DIV-PLLCK) and RCHICK (DIV-RCHICK) signals. The DIV-RCHICK signal is used as the reference to determine the phase difference between DIV-RCHICK and DIV-PLLCK. While DIV-RCHICK and DIV-PLLCK are phase-locked, the PLLCK-EPLL signal is in a high-impedance state. A phase difference between DIV-RCHICK and DIV-PLLCK drives PLLCK-EPLL to either 5 V or 0 V. An appropriate loop filter, for example, an RC circuit with  $R = 1 \text{ k}\Omega$  and  $C = 0.1 \text{ }\mu\text{F}$  is used to filter these PLLCK-EPLL pulses to control the VCXO.

The system can force TCHICK to be phase-locked to RLCK by using RLCK as a reference signal to control a VCXO that is sourcing the TCHICK signal. The T7630 uses the receive line signal (RLCK) as the reference and the TCHICK signal as the variable signal. The T7630 provides a phase error signal (TCHICK-EPLL) that can be used to control the VCXO generating TCHICK. The TCHICK-EPLL signal is generated by monitoring the divided-down TCHICK signal (DIV-TCHICK) and RLCK (DIV-RLCK) signals. The DIV-RLCK signal is used as the reference to determine the phase difference between DIV-TCHICK and DIV-RLCK. While DIV-RLCK and DIV-TCHICK are phase-locked, the TCHICK-EPLL signal is in a high-impedance state. A phase difference between DIV-RLCK and DIV-TCHICK drives TCHICK-EPLL to either 5 V or 0 V. An appropriate loop filter, for example, an RC circuit with  $R = 1 \text{ k}\Omega$  and  $C = 0.1 \text{ }\mu\text{F}$ , is used to filter these TCHICK-EPLL pulses to control the VCXO. In this mode, the T7630 can be programmed to act as a master timing source and is capable of generating the system frame synchronization signal through the TCHIFS pin by setting FRM\_PR45 bit 4 to 1.

Phase-Lock Loop Circuit (continued)



5-5268(F)r.2

Figure 49. T7630 Phase Detector Circuitry

## Framer-System (CHI) Interface

### DS1 Modes

The DS1 framing formats require rate adaptation from the 1.544 Mb/s line interface bit stream to the system interface which functions at multiples of a 2.048 Mb/s bit stream. The rate adaptation results in the need for eight stuffed time slots on the system interface since there are only 24 DS1 (1.544 Mb/s) payload time slots while there are 32 system (2.048 Mb/s) time slots. Placement of the stuffed time slots is defined by register FRM\_PR43 bit 0—bit 2.

### CEPT Modes

The framer maps the line time slots into the corresponding system time slot one-to-one. Framing time slot 0, the FAS and NFAS bytes, are placed in system time slot 0.

### Receive Elastic Store

The receive interface between the framer and the system (CHI) includes a two-frame elastic store buffer to enable rate adaptation. The receive line elastic store buffer contains circuitry that monitors the read and write pointers for potential data overrun and underrun (slips) conditions. Whenever this slip circuitry determines that a slip may occur in the receive elastic store buffer, it will adjust the read pointer such that a controlled slip is performed. The controlled slip is implemented by dropping or repeating a complete frame at the frame boundaries. The occurrence of controlled slips in the receive elastic store are indicated in the status register FRM\_SR3 bit 6 and bit 7.

### Transmit Elastic Store

The transmit interface between the framer and the system (CHI) includes a two-frame elastic store buffer to enable rate adaptation. The line transmit clock applied to PLLCK (pins 7/31) must be phase-locked to RCHICK. No indication of a slip in the transmit elastic store is given.

## Concentration Highway Interface

Each framer has a dual, high-speed, serial interface to the system known as the CHI. This flexible bus architecture allows the user to directly interface to other Lucent components which use this interface, as well as to *Mitel*<sup>\*</sup> and *AMD*<sup>†</sup> TDM highway interfaces, with no glue logic. Configured via the highway control registers FRM\_PR45 through FRM\_PR66, this interface can be set up in a number of different configurations.

The following is a list of the CHI features:

- Lucent Technologies standard interface for communication devices.
- Two pairs of transmit and receive paths to carry data in 8-bit time slots.
- Programmable definition of highways through offset and clock-edge options which are independent for transmit and receive directions.
- Programmable idle code substitution of received time slots.
- Programmable 3-state control of each transmit time slot.
- Independent transmit and receive framing signals to synchronize each direction of data flow.
- An 8 kHz frame synchronization signal internally generated from the received line clock.
- Compatible with *Mitel* and *AMD* PCM highways.

Supported is the optional configuration of the CHI which presents the signaling information along with the data in any framing modes when the device is programmed for the associated signaling mode (ASM). This mode is discussed in the signaling section.

Data can be transmitted or received on either one of two interface ports, called CHIDATA and CHIDATAB. The user-supplied clocks (RCHICK and TCHICK) control the timing on the transmit or receive paths. Individual time slots are referenced to the frame synchronization (RCHIFS and TCHIFS) pulses. Each frame consists of 32 time slots at a programmable data rate of 2.048 Mb/s, 4.096 Mb/s, or 8.192 Mb/s requiring a clock (TCHICK and RCHICK) of the same rate. The clock and data rates of the transmit and receive highways are programmed independently.

\* *Mitel* is a registered trademark of Mitel Corporation.

† *AMD* is a registered trademark of Advanced Micro Devices, Inc.



## Concentration Highway Interface (continued)

Rate adaptation is required for all DS1 formats between the 1.544 Mbits/s line rate and 2.048 Mbits/s, 4.966 Mbits/s, or 8.182 Mbits/s CHI rate. This is achieved by means of stuffing eight idle time slots into the existing twenty-four time slots of the T1 frame. Idle time slots can occur every fourth time slot (starting in the first, second, third, or fourth time slot) or be grouped together at the end of the CHI frame as described in register FRM\_PR43 bit 0—bit 2. The positioning of the idle time slots is the same for transmit and receive directions. Idle time slots contain the programmable code of register FRM\_PR23. Unused time slots can be disabled by forcing the TCHIDATA interface to a high-impedance state for the interval of the disabled time slots.

### CHI Parameters

The CHI parameters that define the receive and transmit paths are given in Table 57.

**Table 57. Summary of the T7630's Concentration Highway Interface Parameters**

Name	Description
HWYEN	<b>Highway Enable (FRM_PR45 bit 7).</b> A 1 in this bit enables the transmit and receive concentration highway interfaces. This allows the framer to be fully configured before transmission to the highway. A 0 forces the idle code as defined in register FRM_PR22, to be transmitted to the line in all payload time slots while TCHIDATA is forced to a high-impedance state for all CHI transmitted time slots.
CHIMM	<b>Concentration Highway Master Mode (PRM_PR45 bit 4).</b> The default mode CHIMM = 0 enables an external system frame synchronization signal (TCHIFS) to drive the transmit CHI. A 1 enables the transmit CHI to generate a system frame synchronization signal from the receive line clock. The transmit CHI system frame synchronization signal is generated on the TCHIFS output pin. Applications using the receive line clock as the reference clock signal of the system are recommended to enable this mode and use the TCHIFS signal generated by the framer. The receive CHI path is <b>not</b> affected by this mode.
CHIDTS	<b>CHI Double Time-Slot Mode (FRM_PR65 bit 1 and FRM_PR66 bit 1).</b> CHIDTS defines the 4.096 Mbits/s and 8.192 Mbits/s CHI modes. CHIDTS = 0 enables the 32 contiguous time-slot mode. This is the default mode. CHIDTS = 1 enables the double time-slot mode in which the transmit CHI drives TCHIDATA for one time slot and then 3-states for the subsequent time slot, and the receive CHI latches data from RCHIDATA for one time slot and then ignores the following time slot and so on. CHIDTS = 1 allows two CHIs to interleave frames on a common bus.
TFE	<b>Transmit Frame Edge (FRM_PR46 bit 3).</b> TFE = 0 (or 1), TCHIFS is sampled on the falling (or rising) edge of TCHICK. In CHIMM (CHI master mode), the TCHIFS pin outputs a transmit frame strobe to provide synchronization for TCHIDATA. When TFE = 1 (or 0), TCHIFS is centered around rising (or falling) edge of TCHICK. In this mode, TCHIFS can be used for receive data on RCHIDATA. The timing for TCHIFS in CHIMM = 1 mode is identical to the timing for TCHIFS in CHIMM = 0 mode.
RFE	<b>Receive Frame Edge (FRM_PR46 bit 7).</b> RFE = 0 (or 1), RCHIFS is sampled on the falling (or rising) edge of RCHICK.
CDRS0—CDRS1	<b>CHI Data Rate (FRM_PR45 bit 2 and bit 3).</b> Two-bit control for selecting the CHI data rate. The default state (00) enables the 2.048 Mbits/s. CDRS Bit:2 3CHI Data Rate 0 0 2.048 Mbits/s 0 1 4.096 Mbits/s 1 0 8.192 Mbits/s 1 1 Reserved

**Concentration Highway Interface** (continued)**Table 57. Summary of the T7630's Concentration Highway Interface Parameters** (continued)

Name	Description
TCE	<b>Transmitter Clock Edge (FRM_PR47 bit 6).</b> TCE = 0 (or 1), TCHIDATA is clocked on the falling (or rising) edge of TCHICK.
RCE	<b>Receiver Clock Edge (FRM_PR48 bit 6).</b> RCE = 0 (or 1), RCHIDATA is latched on the falling (or rising) edge of RCHICK.
TTSE31—TTSE0	<b>Transmit Time-Slot Enable 31—0 (FRM_PR49—FRM_PR52).</b> These bits define which transmit CHI time slots are enabled. A 1 enables the TCHIDATA or TCHIDATAB time slot. A 0 forces the CHI transmit highway time slot to be 3-stated.
RTSE31—RTSE0	<b>Receive Time-Slot Enable 31—0 (FRM_PR53—FRM_PR56).</b> These bits define which receive CHI time slots are enabled. A 1 enables the RCHIDATA or RCHIDATAB time slots. A 0 disables the time slot and transmits the programmable idle code of register FRM_PR22 to the line interface.
THS31—THS0	<b>Transmit Highway Select 31—0 (FRM_PR57—FRM_PR60).</b> These bits define which transmit CHI highway, TCHIDATA or TCHIDATAB, contains valid data for the active time slot. A 0 enables TCHIDATA; a 1 enables the TCHIDATAB.
RHS31—RHS0	<b>Receive Highway Select 31—0 (FRM_PR61—FRM_PR64).</b> These bits define which receive CHI highway, RCHIDATA or RCHIDATAB, contains valid data for the active time slot. A 0 enables RCHIDATA; a 1 enables the RCHIDATAB.
TOFF2—TOFF0	<b>Transmitter Bit Offset (FRM_PR46 bit 0—bit 2).</b> These bits are used in conjunction with the transmitter byte offset to define the beginning of the transmit frame. They determine the offset relative to TCHIFS, for the first bit of transmit time slot 0. The offset is the number of TCHICK cycles by which the first bit is delayed.
ROFF2—ROFF0	<b>Receiver Bit Offset (FRM_PR46 bit 4—bit 6).</b> These bits are used in conjunction with the receiver byte offset to define the beginning of the receiver frame. They determine the offset relative to the RCHIFS, for the first bit of receive time slot 0. The offset is the number of RCHICK cycles by which the first bit is delayed.
TBYOFF6—TBYOFF0	<b>Transmitter Byte Offset (FRM_PR47 bit 0—bit 5 and FRM_PR65 bit 0).</b> These bits determine the offset from the TCHIFS to the beginning of the next frame on the transmit highway. Note that in the ASM mode, a frame consists of 64 contiguous bytes; whereas in other modes, a frame contains 32 contiguous bytes. Allowable offsets: 2.048 Mbits/s 0—31 bytes. 4.096 Mbits/s 0—63 bytes. 8.192 Mbits/s 0—127 bytes.
RBYOFF6—RBYOFF0	<b>Receiver Byte Offset (FRM_PR48 bit 0—bit 5 and FRM_PR66 bit 0).</b> These bits determine the offset from RCHIFS to the beginning of the receive CHI frame. Note that in the ASM mode, a frame consists of 64 contiguous bytes; whereas in other modes, a frame contains 32 contiguous bytes. Allowable offsets: 2.048 Mbits/s 0—31 bytes. 4.096 Mbits/s 0—63 bytes. 8.192 Mbits/s 0—127 bytes.
ASM	<b>Associated Signaling Mode (FRM_PR44 bit 2).</b> When enabled, the associate signaling mode configures the CHI to carry both payload data and its associated signaling information. Enabling this mode must be in conjunction with the programming of the CHI data rate to either 4.048 Mbits/s or 8.096 Mbits/s. Each time slot consists of 16 bits where 8 bits are data and the remaining 8 bits are signaling information.
STS0—STS2	<b>Stuffed Time Slots (FRM_PR43 bit 0—bit 2).</b> Valid only in T1 framing formats, these 3 bits define the location of the eight stuffed CHI (unused) time slots.

## Concentration Highway Interface (continued)

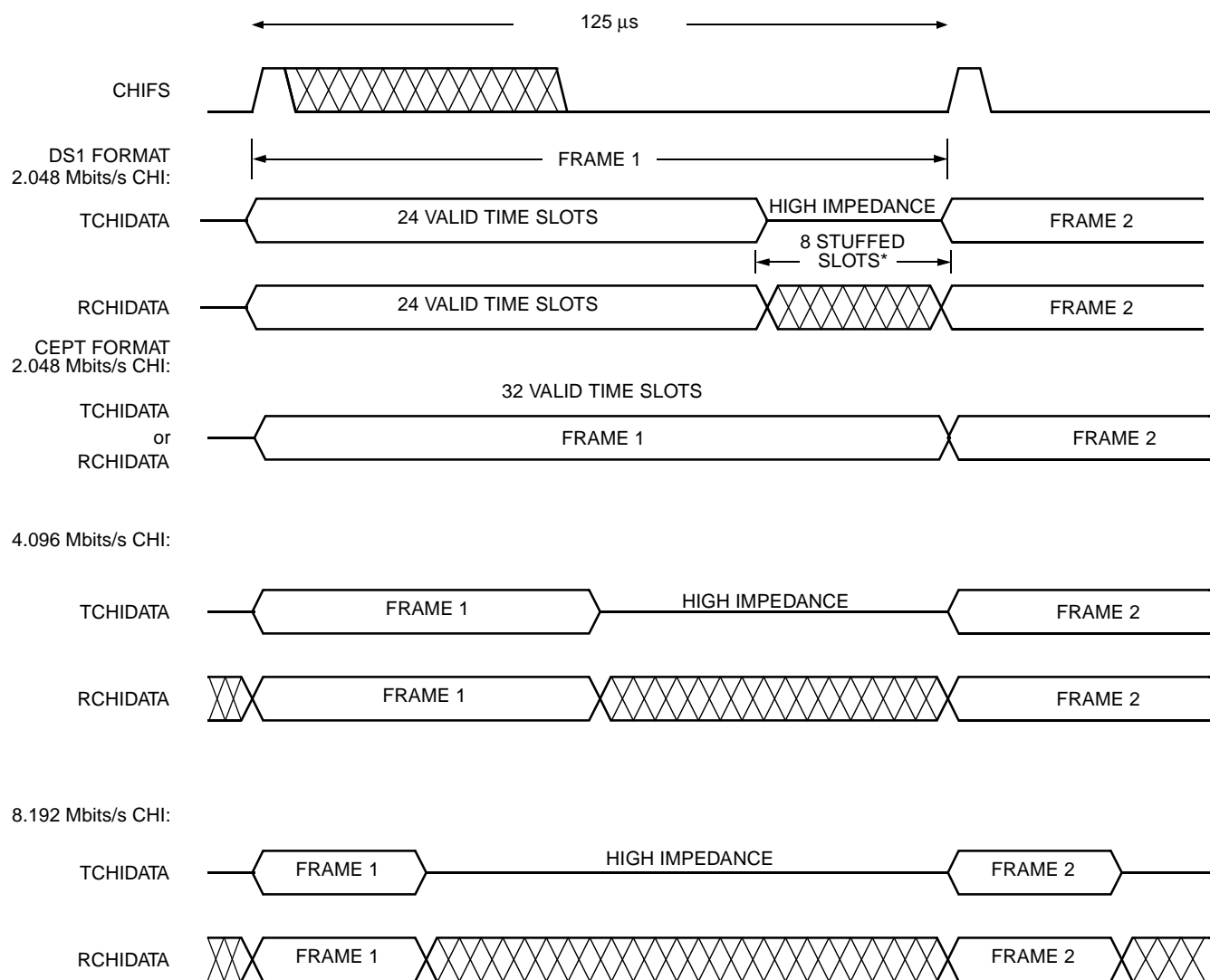
### CHI Frame Timing

#### CHI Timing with CHIDTS Disabled

Figure 50 illustrates the CHI frame timing when CHIDTS is disabled (registers FRM\_PR65 bit 1 (TCHIDTS) and FRM\_PR66 bit 1 (RCHDTS) = 0) and the CHI is not in the associated signaling mode (FRM\_PR44 bit 2 (ASM) = 0). The frames are 125  $\mu$ s long and consist of 32 contiguous time slots.

In DS1 frame modes, the CHI frame consists of 24 payload time slots and eight stuffed (unused) time slots.

In CEPT frame modes, the CHI frame consists of 32 payload time slots.



5-5269(F).ar.2

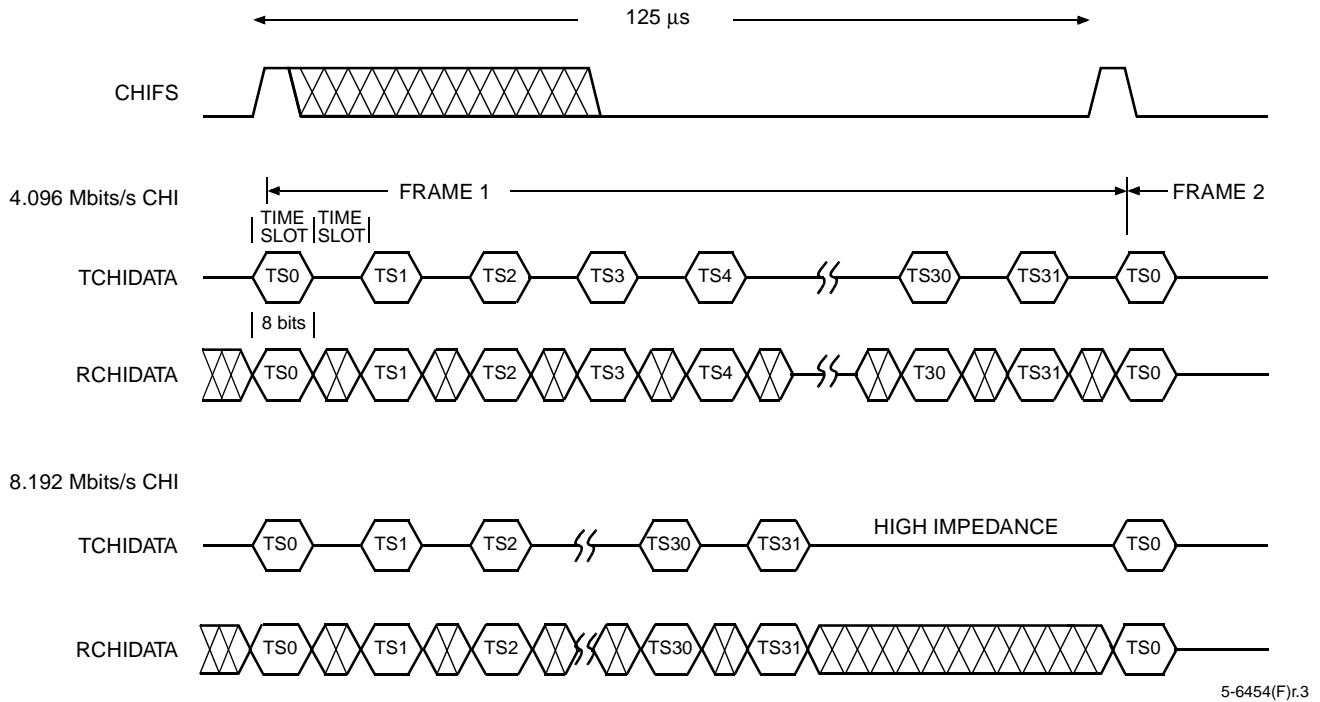
\* The position of the stuffed time is controlled by register FRM\_PR43 bit 0—bit 2.

**Figure 50. Nominal Concentration Highway Interface Timing (for FRM\_PR43 bit 0—bit 2 = 100 (Binary))**

**Concentration Highway Interface** (continued)

**CHI Timing with CHIDTS Enabled**

Figure 51 illustrates the CHI frame timing when CHIDTS is enabled (registers FRM\_PR65 bit 1 (TCHIDTS) and FRM\_PR66 bit 1 (RCHIDTS) = 1) and ASM is disabled (register FRM\_PR44 bit 2 (ASM) = 0). In the CHIDTS mode, valid CHI payload time slots are alternated with high-impedance intervals of one time-slot duration. This mode is valid only for 4.096 Mbits/s and 8.192 Mbits/s CHI rates.



**Figure 51. CHIDTS Mode Concentration Highway Interface Timing**

5-6454(F)r.3

## Concentration Highway Interface (continued)

### CHI Timing with Associated Signaling Mode Enabled

Figure 52 illustrates the CHI frame timing when the associated signaling mode is enabled (register FRM\_PR44 bit 2 (ASM) = 1) and the CHIDTS mode is disabled (registers FRM\_PR65 bit 1 (TCHIDTS) = 0 and FRM\_PR66 bit 1 (RCHDTS) = 0). The frames are 125  $\mu$ s long and consist of 32 contiguous 16-bit time slots.

In DS1 frame formats, each frame consists of 24 time slots and eight stuffed time slots. Each time slot consists of two octets.

In CEPT modes, each frame consists of 32 time slots. Each time slot consists of two octets.

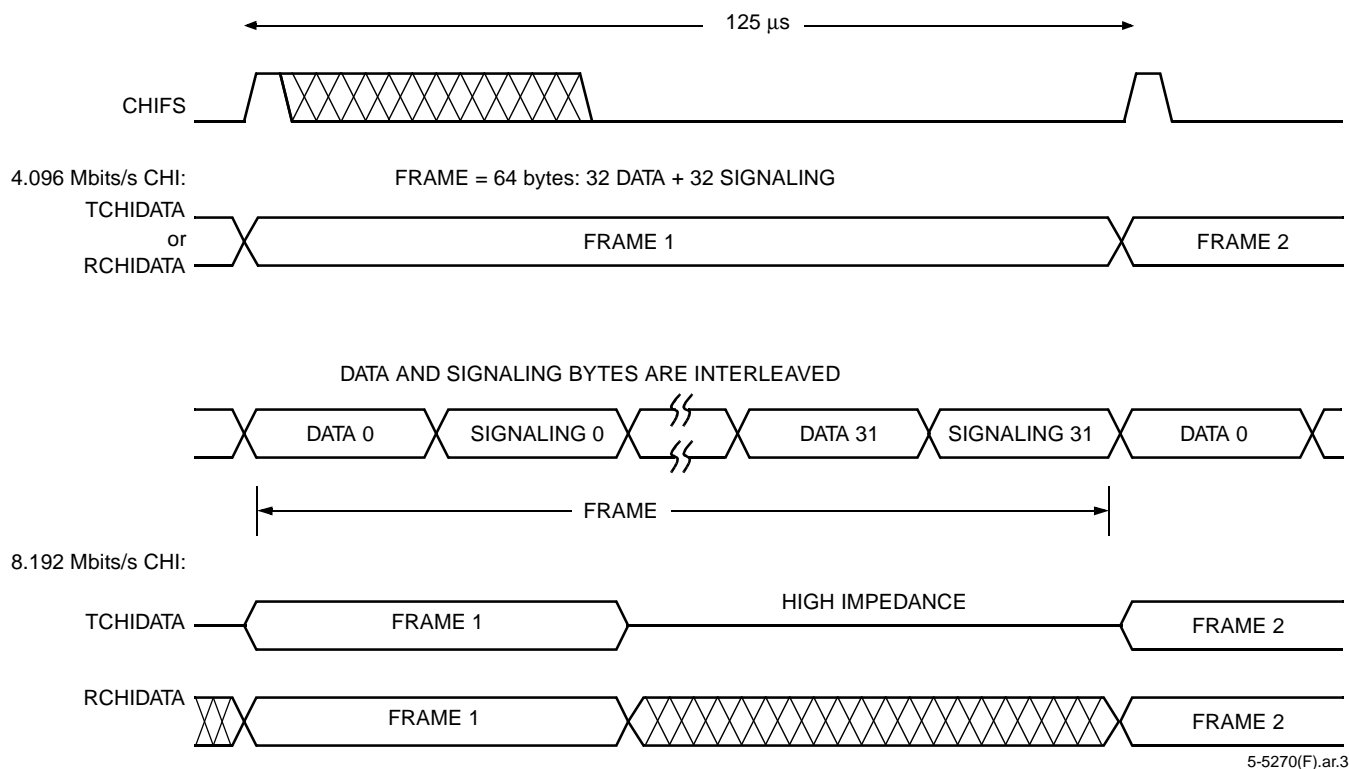
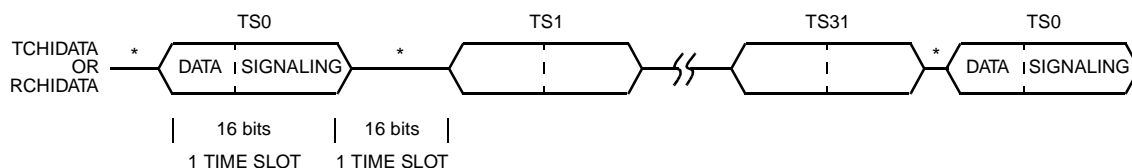


Figure 52. Associated Signaling Mode Concentration Highway Interface Timing

### CHI Timing with Associated Signaling Mode and CHIDTS Enabled

Figure 53 illustrates the CHI frame timing in the associated signaling mode (register FRM\_PR44 bit 2 (ASM) = 1) and CHIDTS enabled (registers FRM\_PR65 bit 1 (TCHIDTS) = 1 and FRM\_PR66 bit 1 (RCHIDTS) = 1).

8.192 Mbits/s CHI WITH ASM (ASSOCIATED SIGNALING MODE) ENABLED



\* High-impedance state for TCHIDATA and not received (don't care) for RCHIDATA.

Figure 53. CHI Timing with ASM and CHIDTS Enabled

**Concentration Highway Interface** (continued)

**CHI Offset Programming**

To facilitate bit offset programming, two additional internal parameters are introduced: CEX is defined as the clock edge with which the first bit of time slot 0 is transmitted; CER is defined as the clock edge on which bit 0 of time slot 0 is latched. CEX and CER are counted relative to the edge on which the CHIFS signal is sampled. Values of CEX and CER depend upon the values of the parameters described above.

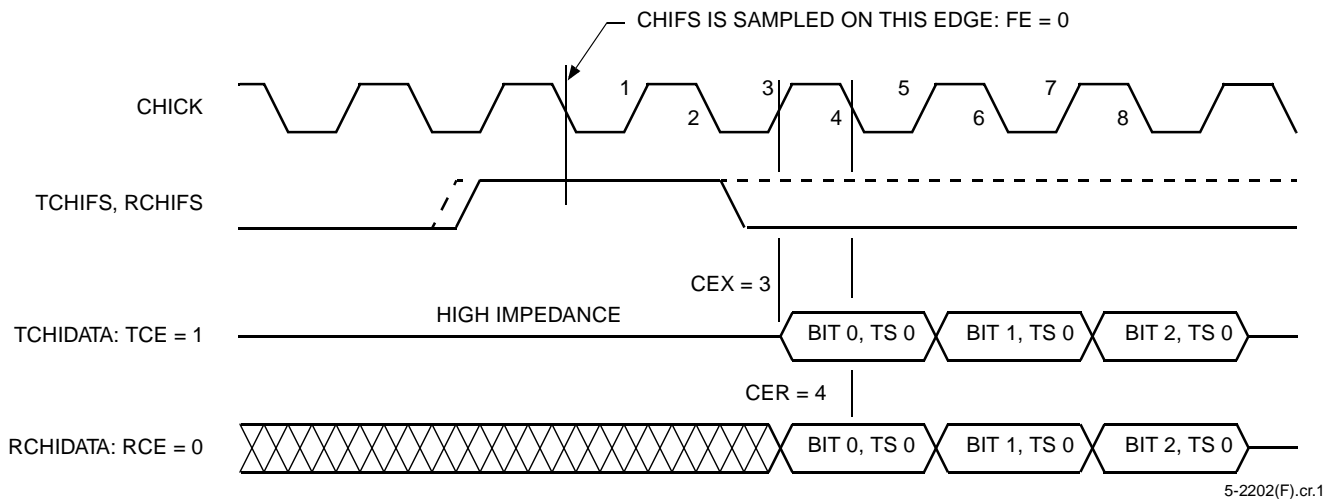
The following table gives decimal values of CEX and CER for various values of TFE, RFE, TCE, RCE, TOFF[2:0], and ROFF[2:0]. The byte (time slot) offsets are assumed to be zero in the following examples.

**Table 58. Programming Values for TOFF[2:0] and ROFF[2:0] when CMS = 0**

RFE/ TFE	RCE/ TCE	ROFF[2:0] or TOFF[2:0]								CER or CEX (decimal)
		000	001	010	011	100	101	110	111	
0	0	4	6	8	10	12	14	16	18	
0	1	3	5	7	9	11	13	15	17	
1	0	3	5	7	9	11	13	15	17	
1	1	4	6	8	10	12	14	16	18	

Figure 54 shows an example of the relative timing of CHI 2.048 Mbits/s data with the following parameters:

- CMS = 0, TFE, RFE = 0
- TCE = 1, TOFF[2:0] = 000, TBYOFF[6:0] = 0000000
- RCE = 0, ROFF[2:0] = 000, RBYOFF[6:0] = 0000000

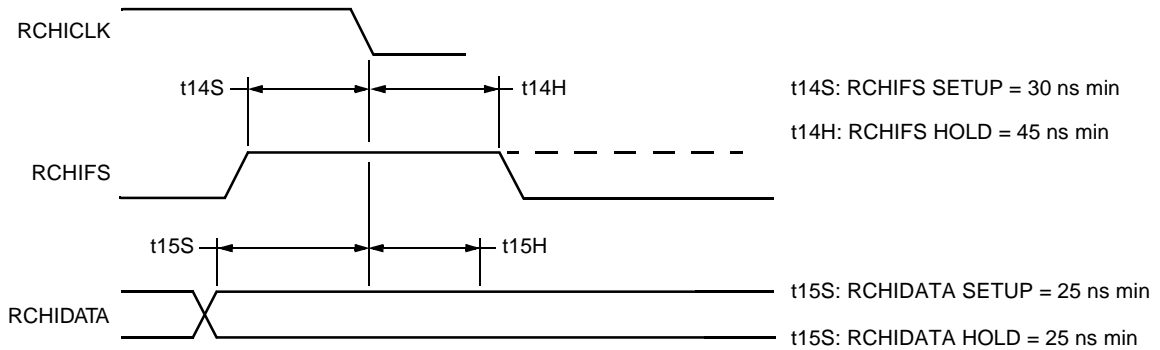


5-2202(F).cr.1

**Figure 54. TCHIDATA and RCHIDATA to CHICK Relationship with CMS = 0 (CEX = 3 and CER = 4, Respectively)**

**Concentration Highway Interface** (continued)

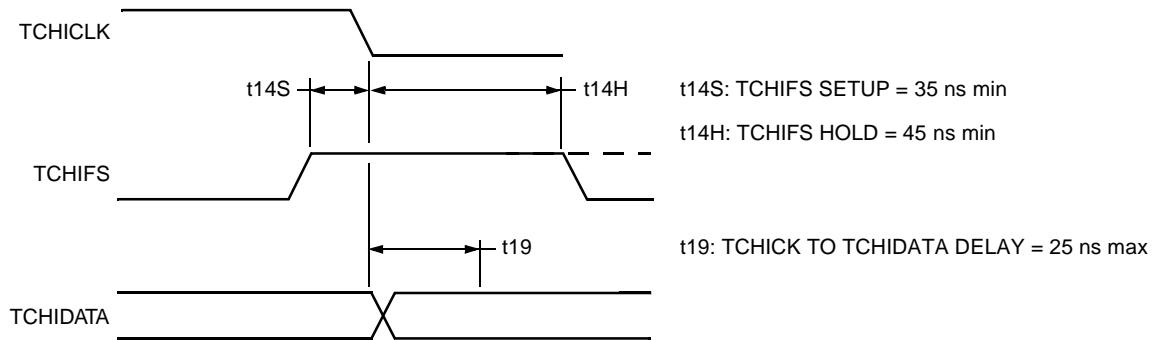
Figures 55 and 56 illustrate the CHI timing.



5-3916(F).cr.1

Note: For case illustrated, RFE = 0, and RCE = 0.

**Figure 55. Receive CHI (RCHIDATA) Timing**



5-3917(F).c

Note: For case illustrated, TFE = 0 and TCE = 0.

**Figure 56. Transmit CHI (TCHIDATA) Timing**

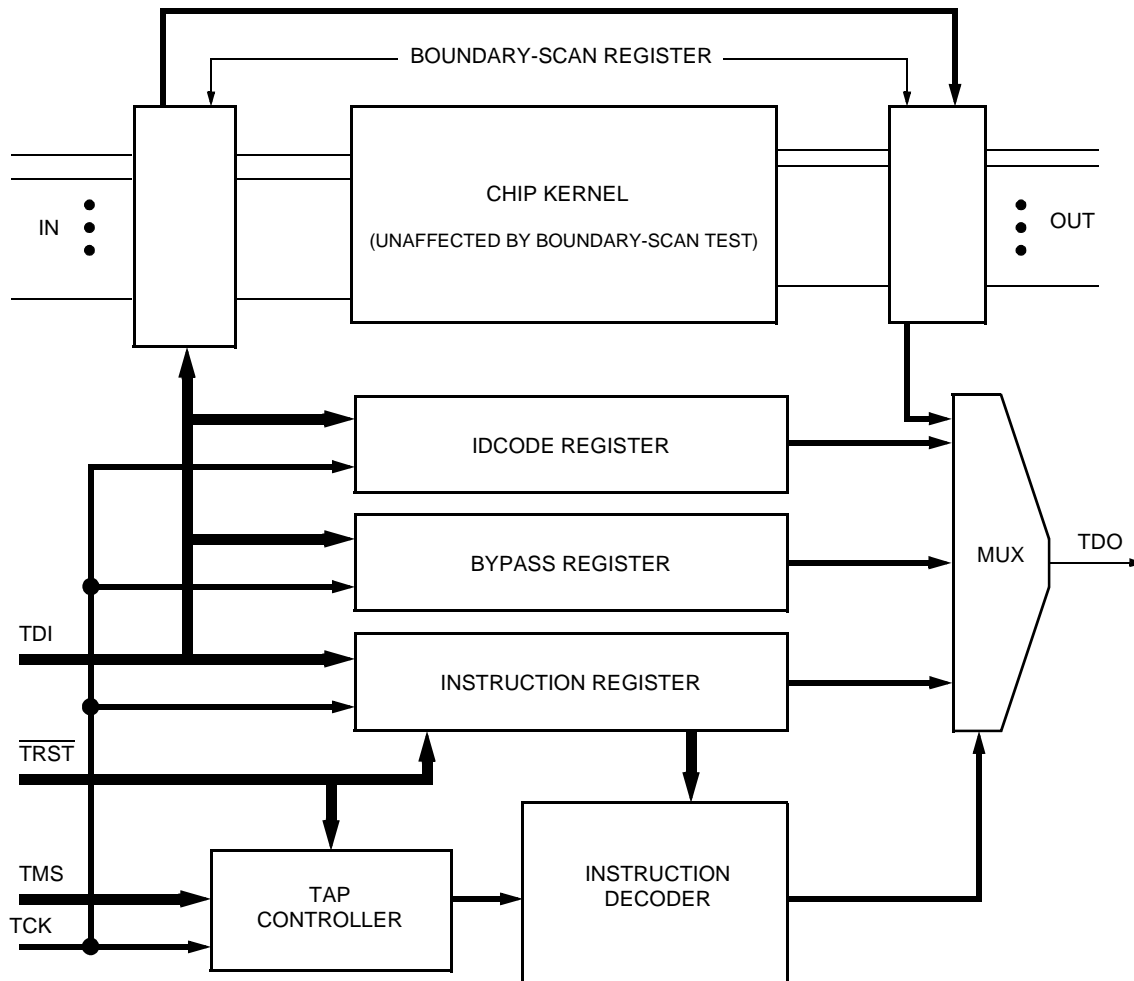
## JTAG Boundary-Scan Specification

### Principle of the Boundary Scan

The boundary scan (BS) is a test aid for chip, module, and system testing. The key aspects of BS are as follows:

- Testing the connections between ICs on a particular board.
- Observation of signals to the IC pins during normal operating functions.
- Controlling the built-in self-test (BIST) of an IC. T7630 does not support BS-BIST.

Designed according to the *IEEE*\* Std. 1149.1-1990 standard, the BS test logic consists of a defined interface: the test access port (TAP). The TAP is made up of four signal pins assigned solely for test purposes. The fifth test pin ensures that the test logic is initialized asynchronously. The BS test logic also comprises a 16-state TAP controller, an instruction register with a decoder, and several test data registers (BS register, BYPASS register, and DCODE register). The main component is the BS register that links all the chip pins to a shift register by means of special logic cells. The test logic is designed in such a way that it is operated independently of the application logic of the T7630 (the mode multiplexer of the BS output cells may be shared). Figure 57 illustrates the block diagram of the T7630's BS test logic.



5-3923(F)r.4

Figure 57. Block Diagram of the T7630's Boundary-Scan Test Logic

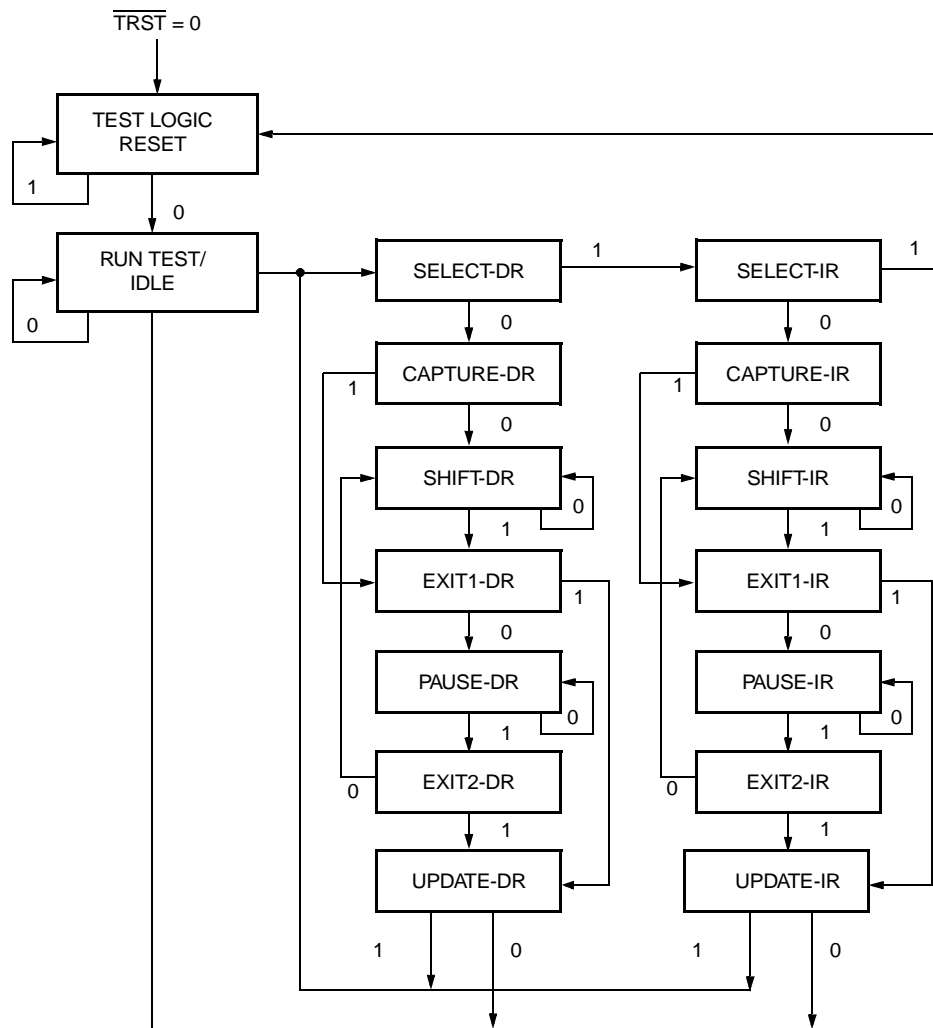
\* *IEEE* is a registered trademark of The Institute of Electrical and Electronics Engineers, Inc.



## JTAG Boundary-Scan Specification (continued)

### Test Access Port Controller

The test access port controller is a synchronous sequence controller with 16 states. The state changes are preset by the TMS, TCK, and  $\overline{\text{TRST}}$  signals and by the previous state. The state change always take place when the TCK edge rises. Figure 58 shows the TAP controller state diagram.



5-3924(F)r.8

Figure 58. BS TAP Controller State Diagram

The value shown next to each state transition in Figure 58 represents the signal present at TMS at the time of a rising edge at TCK.

The description of the TAP controller states is given in *IEEE Std. 1149.1-1990* Section 5.1.2 and is reproduced in Tables 59 and 60.

**JTAG Boundary-Scan Specification** (continued)**Table 59. TAP Controller States in the Data Register Branch**

Name	Description
TEST LOGIC RESET	The BS logic is switched in such a way that normal operation of the ASIC is adjusted. The IDCODE instruction is initialized by TEST LOGIC RESET. Irrespective of the initial state, the TAP controller has achieved TEST LOGIC RESET after five control pulses at the latest when TMS = 1. The TAP controller then remains in this state. This state is also achieved when TRST = 0.
RUN TEST/IDLE	Using the appropriate instructions, this state can activate circuit parts or initiate a test. All of the registers remain in their present state if other instructions are used.
SELECT DR	This state is used for branching to the test data register control.
CAPTURE DR	The test data is loaded in the test data register parallel to the rising edge of TCK in this state.
SHIFT DR	The test data is clocked by the test data register serially to the rising edge of TCK in the state. The TDO output driver is active.
EXIT (1/2) DR	This temporary state causes a branch to a subsequent state.
PAUSE DR	The input and output of test data can be interrupted in this state.
UPDATE DR	The test data is clocked into the second stage of the test data register parallel to the falling edge of TCK in this state.

**Table 60. TAP Controller States in the Instruction Register Branch**

Name	Description
SELECT IR	This state is used for branching to the instruction register control.
CAPTURE IR	The instruction code 0001 is loaded in the first stage of the instruction register parallel to the rising edge of TCK in this state.
SHIFT IR	The instructions are clocked into the instruction register serially to the rising edge of TCK in the state. The TDO output driver is active.
EXIT (1/2) IR	This temporary state causes a branch to a subsequent state.
PAUSE IR	The input and output of instructions can be interrupted in this state.
UPDATE IR	The instruction is clocked into the second stage of the instruction register parallel to the falling edge of TCK in this state.

## JTAG Boundary-Scan Specification (continued)

### Instruction Register

The instruction register (IR) is 4 bits in length. Table 61 shows the BS instructions implemented by the T7630.

**Table 61. T7630's Boundary-Scan Instructions**

Instruction	Code	Act. Register TDI—TDO	Mode	Function	Output Defined Via
EXTEST	0000	Boundary Scan	TEST	Test external connections	BS Register
IDCODE	0001	Identification	NORMAL	Read Manuf. Register	Core Logic
HIGHZ	0100	BYPASS	X	3-state	Output—High Impedance
SAMPLE/PRELOAD	0101	Boundary Scan	NORMAL	Sample/load	Core Logic
BYPASS	1111	BYPASS	NORMAL	Min. shift path	Core Logic
EVERYTHING ELSE	—	BYPASS	X	—	Output—High Impedance

The instructions not supported in T7630 are INTEST, RUNBIST, and TOGGLE. A fixed binary 0001 pattern (the 1 into the least significant bit) is loaded into the IR in the capture-IR controller state. The IDCODE instruction (binary 0001) is loaded into the IR during the test-logic-reset controller state and at powerup.

The following is an explanation of the instructions supported by T7630 and their effect on the devices' pins.

#### EXTEST

This instruction enables the path cells, the pins of the ICs, and the connections between ASICs to be tested via the circuit board. The test data can be loaded in the chosen position of the BS register by means of the SAMPLE/PRELOAD instruction. The EXTEST instruction selects the BS register as the test data register. The data at the function inputs is clocked into the BS register on the rising edge of TCK in the CAPTURE-DR state. The contents of the BS register can be clocked out via TDO in the SHIFT-DR state. The value of the function outputs is solely determined by the contents of the data clocked into the BS register and only changes in the UPDATE-DR state on the falling edge of TCK.

#### IDCODE

Information regarding the manufacturer's ID for Lucent, the IC number, and the version number can be read out serially by means of the IDCODE instruction. The IDCODE register is selected, and the BS register is set to normal mode in the UPDATE-IR state. The IDCODE is loaded at the rising edge of TCK in the CAPTURE-DR state. The IDCODE register is read out via TDO in the SHIFT-DR state.

#### HIGHZ

All 3-statable outputs are forced to a high-impedance state, and all bidirectional ports to an input state by means of the HIGHZ instruction. The impedance of the outputs is set to high in the UPDATE-IR state. The function outputs are only determined in accordance with another instruction if a different instruction becomes active in the UPDATE-IR state. The BYPASS register is selected as the test data register. The HIGHZ instruction is implemented in a similar manner to that used for the BYPASS instruction.

#### SAMPLE/PRELOAD

The SAMPLE/PRELOAD instruction enables all the inputs and outputs pins to be sampled during operation (SAMPLE) and the result to be output via the shift chain. This instruction does not impair the internal logic functions. Defined values can be serially loaded in the BS cells via TDI while the data is being output (PRELOAD).

**JTAG Boundary-Scan Specification** (continued)**BYPASS**

This instruction selects the BYPASS register. A minimal shift path exists between TDI and TDO. The BYPASS register is selected after the UPDATE-IR. The BS register is in normal mode. A 0 is clocked into the BYPASS register during CAPTURE-DR state. Data can be shifted by the BYPASS register during SHIFT-DR. The contents of the BS register do not change in the UPDATE-DR state. Please note that a 0 that was loaded during CAPTURE-DR appears first when the data is being read out.

**Boundary-Scan Register**

The boundary-scan register is a shift register, whereby one or more BS cells are assigned to every digital T7630 pin (with the exception of the pins for the BS architecture, analog signals, and supply voltages). The T7630's boundary-scan register bit-to-pin assignment is to be determined.

**BYPASS Register**

The BYPASS register is a one-stage, shift register that enables the shift chain to be reduced to one stage in the T7630.

**IDCODE Register**

The IDCODE register identifies the T7630 by means of a parallel, loadable, 32-bit shift register. The code is loaded on the rising edge of TCK in the CAPTURE-DR state. The 32-bit data is organized into four sections as follows.

**Table 62. IDCODE Register**

Version	Part Number	Manufacturer ID	1
Bits 31—28	Bits 27—12	Bits 11—1	Bit 0
0001	0111 011000110000	0000 0011101	1

**3-State Procedures**

The 3-state input participates in the boundary scan. It has a BS cell, but buffer blocking via this input is suppressed for the EXTEST instruction. The 3-state input is regarded as a signal input that is to participate in the connection test during EXTEST. The buffer blocking function should not be active during EXTEST to ensure that the update pattern at the T7630 outputs does not become corrupted.

## Microprocessor Interface

### Overview

The T7630 device is equipped with a microprocessor interface that can operate with most commercially available microprocessors. The microprocessor interface provides access to all the internal registers through a 12-bit address bus and an 8-bit data bus. Inputs MPMODE and MPMUX (pins 74 and 76) are used to configure this interface into one of four possible modes, as shown in Table 63. The MPMUX setting selects either a multiplexed (8-bit address/data bus, AD[7:0]) or a demultiplexed (12-bit address bus, A[11:0] and an 8-bit data bus AD[7:0]) mode of operation. The MPMODE setting selects the associated set of control signals required to access a set of registers within the device.

The microprocessor interface can operate at speeds up to 33 MHz in interrupt-driven or polled mode without requiring any wait-states. For microprocessors operating at greater than 33 MHz, the RDY\_DTACK output (pin 100) may be used to introduce wait-states in the read/write cycles.

In the interrupt-driven mode, one or more device alarms will assert the INTERRUPT output (pin 99) once per alarm activation. After the microprocessor identifies the source(s) of the alarm(s) (by reading the global interrupt register) and reads the specific alarm status

registers, the INTERRUPT output will deassert. In the polled mode, however, the microprocessor monitors the various device alarm status by periodically reading the alarm status registers within the line interface unit, framer, and HDLC blocks without the use of INTERRUPT. In both interrupt and polled methods of alarm servicing, the status registers within an identified block will clear on a microprocessor read cycle only when the alarm condition within that block no longer exists; otherwise, the alarm status register bit remains set.

The powerup default states for the line interface unit, framer, and the HDLC blocks are discussed in their respective sections. All read/write registers within these blocks must be written by the microprocessor on system start-up to guarantee proper device functionality. **Register addresses not defined in this data sheet must not be written.**

Details concerning the microprocessor interface configuration modes, pinout definitions, clock specifications, register address map, I/O timing specifications, and the I/O timing diagrams are described in the following sections.

### Microprocessor Configuration Modes

Table 63 highlights the four microprocessor modes controlled by the MPMUX and MPMODE inputs (pins 76 and 74).

**Table 63. Microprocessor Configuration Modes**

Mode	MPMODE	MPMUX	Address/Data Bus	Generic Control, Data, and Output Pin Names
Mode 1	0	0	DEMUXed*	$\overline{CS}$ , $\overline{AS}$ , $\overline{DS}$ , $R/\overline{W}$ , A[11:0], AD[7:0], INT, $\overline{DTACK}^\dagger$
Mode 2	0	1	MUXed	$\overline{CS}$ , $\overline{AS}$ , $\overline{DS}$ , $R/\overline{W}$ , A[11:8], AD[7:0], INT, $\overline{DTACK}^\dagger$
Mode 3	1	0	DEMUXed*	$\overline{CS}$ , $\overline{ALE}$ , $\overline{RD}$ , $\overline{WR}$ , A[11:0], AD[7:0], INT, RDY
Mode 4	1	1	MUXed	$\overline{CS}$ , $\overline{ALE}$ , $\overline{RD}$ , $\overline{WR}$ , A[11:8], AD[7:0], INT, RDY

\*  $\overline{ALE}$ ,  $\overline{AS}$  may be connected to ground in this mode.

† The DTACK signal is asynchronous to the MPCLK signal.

**Microprocessor Interface** (continued)**Microprocessor Interface Pinout Definitions**

The Mode [1—4] specific pin definitions are given in Table 64. Note that the microprocessor interface uses the same set of pins in all modes.

**Table 64. Mode [1—4] Microprocessor Pin Definitions**

Configuration	Pin Number	Device Pin Name	Generic Pin Name	Pin_Type	Assertion Sense	Function
Mode 1	107	$\overline{WR\_DS}$	$\overline{DS}$	Input	Active-Low	Data Strobe
	75	$\overline{RD\_R/W}$	R/W	Input	—	Read/Write R/W = 1 => Read R/W = 0 => Write
	77	$\overline{ALE\_AS}$	$\overline{AS}$	Input	Active-Low	Address Strobe
	78	$\overline{CS}$	$\overline{CS}$	Input	Active-Low	Chip Select
	99	INTERRUPT	INTERRUPT <sup>*</sup>	Output	Active-High/ Low <sup>§</sup>	Interrupt
	100	RDY_DTACK	$\overline{DTACK}^{\dagger}$	Output	Active-Low	Data Acknowledge
	86—79	AD[7:0]	AD[7:0]	I/O	—	Data Bus
	98—87	A[11:0]	A[11:0]	Input	—	Address Bus
101	MPCLK	MPCLK	Input	—	Microprocessor Clock	
Mode 2	107	$\overline{WR\_DS}$	$\overline{DS}$	Input	Active-Low	Data Strobe
	75	$\overline{RD\_R/W}$	R/W	Input	—	Read/Write R/W = 1 => Read R/W = 0 => Write
	77	$\overline{ALE\_AS}$	$\overline{AS}$	Input	—	Address Strobe
	78	$\overline{CS}$	$\overline{CS}$	Input	Active-Low	Chip Select
	99	INTERRUPT	INTERRUPT <sup>*</sup>	Output	Active-High/Low	Interrupt
	100	RDY_DTACK	$\overline{DTACK}^{\dagger}$	Output	Active-Low	Data Acknowledge
	86—79	AD[7:0]	AD[7:0]	I/O	—	Address/Data Bus
	98—87	A[11:8], AD[7:0]	A[11:8], AD[7:0]	Input	—	Address/Data Bus
101	MPCLK	MPCLK	Input	—	Microprocessor Clock	
Mode 3	107	$\overline{WR\_DS}$	$\overline{WR}$	Input	Active-Low	Write
	75	$\overline{RD\_R/W}$	$\overline{RD}$	Input	Active-Low	Read
	77	$\overline{ALE\_AS}$	$\overline{ALE}$	Input	Active-Low	Address Latch Enable
	78	$\overline{CS}$	$\overline{CS}$	Input	Active-Low	Chip Select
	99	INTERRUPT	INTERRUPT <sup>*</sup>	Output	Active-High/Low	Interrupt
	100	RDY_DTACK	RDY <sup>‡</sup>	Output	Active-High	Ready
	86—79	AD[7:0]	AD[7:0]	I/O	—	Data Bus
	98—87	A[11:0]	A[11:0]	Input	—	Address Bus
101	MPCLK	MPCLK	Input	—	Microprocessor Clock	
Mode 4	107	$\overline{WR\_DS}$	$\overline{WR}$	Input	Active-Low	Write
	75	$\overline{RD\_R/W}$	$\overline{RD}$	Input	Active-Low	Read
	77	$\overline{ALE\_AS}$	$\overline{ALE}$	Input	—	Address Latch Enable
	78	$\overline{CS}$	$\overline{CS}$	Input	Active-Low	Chip Select
	99	INTERRUPT	INTERRUPT <sup>*</sup>	Output	Active-High/Low	Interrupt
	100	RDY_DTACK	RDY <sup>‡</sup>	Output	Active-High	Ready
	86—79	AD[7:0]	AD[7:0]	I/O	—	Address/Data Bus
	98—87	A[11:8], AD[7:0]	A[11:8], AD[7:0]	Input	—	Address/Data Bus
101	MPCLK	MPCLK	Input	—	Microprocessor Clock	

\* INTERRUPT output is synchronous to the internal clock source RLCK-LIU. If RLCK\_LIU is absent, the reference clock for interrupt timing becomes an interval 2.048 MHz clock derived from the CHI clock.

† The DTACK output is asynchronous to MPCLK.

‡ MPCLK is needed if RDY output is required to be synchronous to MPCLK.

§ In the default (reset) mode, INTERRUPT is active-high. It can be made active-low by setting register GREG4 bit 6 to 1.

## Microprocessor Interface (continued)

### Microprocessor Clock (MPCLK) Specifications

The microprocessor interface is designed to operate at clock speeds up to 33 MHz without requiring any wait-states. Wait-states may be needed if higher microprocessor clock speeds are required. The microprocessor clock (MPCLK, pin 101) specification is shown in Table 65. This clock must be supplied only if the RDY (MODE 3 and MODE 4) is required to be synchronous to MPCLK.

**Table 65. Microprocessor Input Clock Specifications**

Name	Symbol	Period and Tolerance	Trise Typ	Tfall Typ	Duty Cycle		Unit
					Min High	Min Low	
MPCLK	t1	30 to 323	2	2	12	12	ns

### Microprocessor Interface Register Address Map

The register address space is divided into eight contiguous banks of 512 addressable units each. Each addressable unit is an 8-bit register. These register banks are labeled as REGBANK[7:0]. The register address map table gives the address range of these register banks and their associated circuit blocks. REGBANK0 contains the global registers which are common to all the circuit blocks on T7630. REGBANK1 is reserved and must not be written. REGBANK[2, 5] are attached to the LIU circuit blocks. REGBANK[3, 6] are attached to the framer circuit blocks. REGBANK[4, 7] are attached to the FDL circuit blocks. The descriptions of the individual register banks can be found in the appropriate sections of this document. In these descriptions, all addresses are given in hexadecimal. Addresses out of the range specified by Table 66 must not be addressed. If they are written, they must be written to 0. An inadvertant write to an out-of-range address may be corrected by a device reset.

**Table 66. T7630 Register Address Map**

Register Bank Label	Start Address (in Hex)	End Address (in Hex)	Circuit Block Name
REGBANK0	000	007	T7630 Global Registers*
REGBANK1	—	—	Reserved
REGBANK2	400	406	Line Interface Unit 1 (LIU1)
REGBANK3	600, 6E0	6A6, 6FF	Framer1
REGBANK4	800	80E	Facility Data Link 1 (FDL1)
REGBANK5	A00	A06	Line Interface Unit 2 (LIU2)
REGBANK6	C00, CE0	CA6, CFF	Framer2
REGBANK7	E00	E0E	Facility Data Link 2 (FDL2)

\* Core registers are common to all circuit blocks on T7630.

### I/O Timing

The I/O timing specifications for the microprocessor interface are given in Table 67. The microprocessor interface pins are compatible with CMOS/TTL I/O levels. All outputs, except the address/data bus AD[7:0], are rated for a capacitive load of 50 pF. The AD[7:0] outputs are rated for a 100 pF load.

**Microprocessor Interface** (continued)

In modes 1 and 3, asserting  $\overline{\text{ALE\_AS}}$  signal low is used to enable the internal address bus. In modes 2 and 4, the falling edge of  $\overline{\text{ALE\_AS}}$  signal is used to latch the address bus.

**Table 67. Microprocessor Interface I/O Timing Specifications**

Symbol	Configuration	Parameter	Setup (ns) (Min)	Hold (ns) (Min)	Delay (ns) (Max)
t1	Modes 1 & 2	$\overline{\text{AS}}$ Asserted Width	—	10	—
t2		Address Valid to $\overline{\text{AS}}$ Deasserted	10	—	—
t3		$\overline{\text{AS}}$ Deasserted to Address Invalid	—	10	—
t4		—	—	—	—
t5		$\overline{\text{R/W}}$ Valid to Both $\overline{\text{CS}}$ and $\overline{\text{DS}}$ Asserted	4	—	—
t6		Address Valid and $\overline{\text{AS}}$ Asserted to $\overline{\text{DS}}$ Asserted (Read)	0	—	—
t7		$\overline{\text{CS}}$ Asserted to $\overline{\text{DTACK}}$ Low Impedance	—	—	12
t8		$\overline{\text{DS}}$ Asserted to $\overline{\text{DTACK}}$ Asserted	—	—	15
t9		$\overline{\text{DS}}$ Asserted to AD Low Impedance (Read)	—	—	15
t10		$\overline{\text{DTACK}}$ Asserted to Data Valid	—	—	25
t11		$\overline{\text{DS}}$ Deasserted to $\overline{\text{CS}}$ Deasserted (Read)	—	5	—
t12		$\overline{\text{DS}}$ Deasserted to R/W Invalid	—	5	—
t13		$\overline{\text{DS}}$ Deasserted to $\overline{\text{DTACK}}$ Deasserted	—	—	12
t14		$\overline{\text{CS}}$ Deasserted to $\overline{\text{DTACK}}$ High Impedance	—	—	10
t15		$\overline{\text{DS}}$ Deasserted to Data Invalid (Read)	—	5	—
t16		Address Valid and $\overline{\text{AS}}$ Asserted to $\overline{\text{DS}}$ Asserted (Write)	10	—	—
t17		Data Valid to $\overline{\text{DS}}$ Asserted	10	—	—
t18		$\overline{\text{DS}}$ Deasserted to $\overline{\text{CS}}$ Deasserted (Write)	—	5	—
t19		$\overline{\text{DS}}$ Deasserted to Data Valid	—	10	—
t20		$\overline{\text{DS}}$ Asserted Width (Write)	—	10	—
t21		Address Valid to $\overline{\text{AS}}$ Falling Edge	10	—	—
t22		$\overline{\text{AS}}$ Falling Edge to Address Invalid	—	10	—
t23		$\overline{\text{AS}}$ Falling Edge to $\overline{\text{DS}}$ Asserted (Read)	0	—	—
t24		$\overline{\text{AS}}$ Falling Edge to $\overline{\text{DS}}$ Asserted (Write)	10	—	—
t25		$\overline{\text{CS}}$ Asserted to $\overline{\text{DS}}$ Asserted (Write)	10	—	—



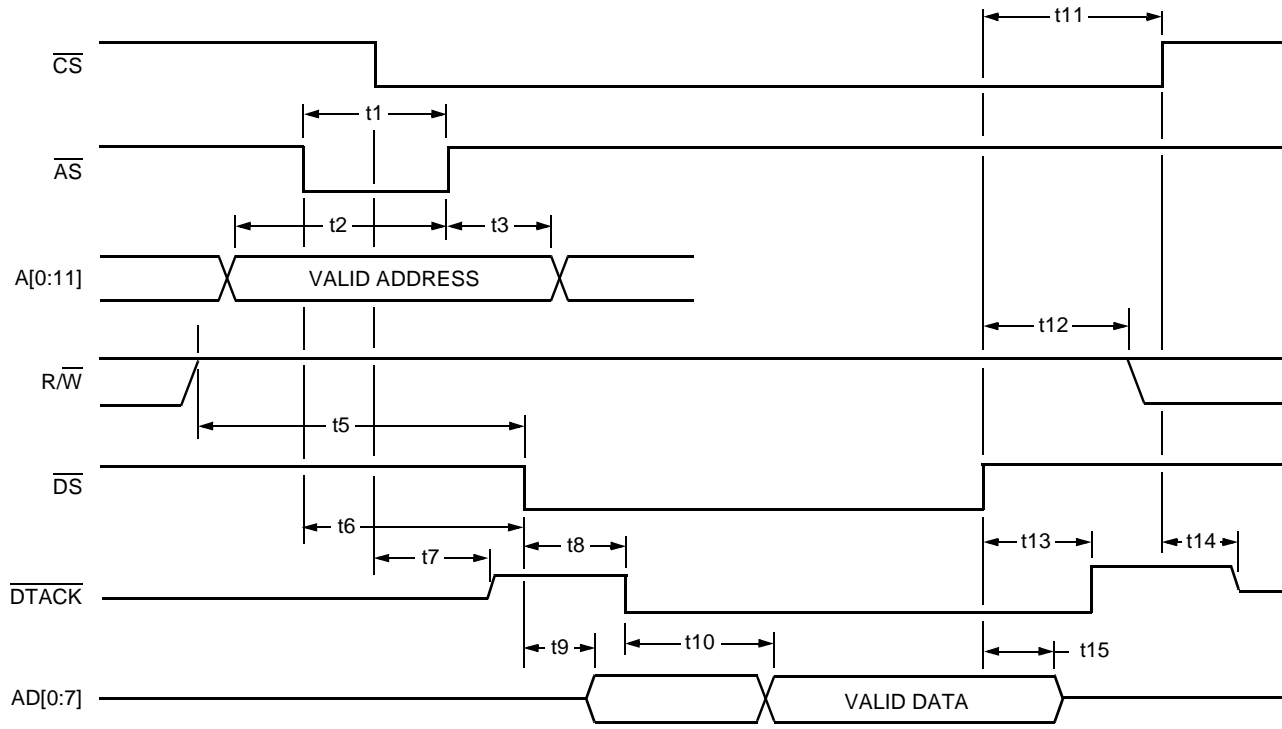
**Microprocessor Interface** (continued)

**Table 67. Microprocessor Interface I/O Timing Specifications** (continued)

Symbol	Configuration	Parameter	Setup (ns) (Min)	Hold (ns) (Min)	Delay (ns) (Max)
t31	Modes 3 & 4	$\overline{\text{ALE}}$ Asserted Width	—	10	—
t32		Address Valid to $\overline{\text{ALE}}$ Deasserted	10	—	—
t33		$\overline{\text{ALE}}$ Deasserted to Address Invalid	—	10	—
t34		$\overline{\text{CS}}$ Asserted to $\overline{\text{RD}}$ Asserted	0	—	—
t35		Address Valid and $\overline{\text{ALE}}$ Asserted to $\overline{\text{RD}}$ Asserted	0	—	—
t36		$\overline{\text{CS}}$ Asserted to RDY Low Impedance	—	—	12
t37		Rising Edge MPCK to RDY Asserted	—	—	15
t38		$\overline{\text{RD}}$ Asserted to AD Low Impedance	—	—	15
t39		$\overline{\text{RD}}$ Asserted to Data Valid	—	—	40
t40		$\overline{\text{RD}}$ Deasserted to $\overline{\text{CS}}$ Deasserted	—	5	—
t41		$\overline{\text{RD}}$ Deasserted to RDY Deasserted	—	—	15
t42		$\overline{\text{CS}}$ Deasserted to RDY High Impedance	—	—	10
t43		$\overline{\text{RD}}$ Deasserted to Data Invalid (High Impedance)	—	5	—
t44		$\overline{\text{CS}}$ Asserted to $\overline{\text{WR}}$ Asserted	0	—	—
t45		Address Valid and $\overline{\text{ALE}}$ Asserted to $\overline{\text{WR}}$ Asserted	10	—	—
t46		Data Valid to $\overline{\text{WR}}$ Asserted	10	—	—
t47		$\overline{\text{WR}}$ Deasserted to $\overline{\text{CS}}$ Deasserted	—	5	—
t48		$\overline{\text{WR}}$ Deasserted to RDY Deasserted	—	—	15
t49		$\overline{\text{WR}}$ Deasserted to Data Invalid	—	10	—
t50		$\overline{\text{RD}}$ Asserted Width	—	50	—
t51		$\overline{\text{WR}}$ Asserted Width	—	10	—
t52		Address Valid to $\overline{\text{ALE}}$ Falling Edge	10	—	—
t53		$\overline{\text{ALE}}$ Falling Edge to Address Invalid	—	10	—
t54		$\overline{\text{ALE}}$ Falling Edge to $\overline{\text{RD}}$ Asserted	0	—	—
t55		$\overline{\text{ALE}}$ Falling Edge to $\overline{\text{WR}}$ Asserted	10	—	—

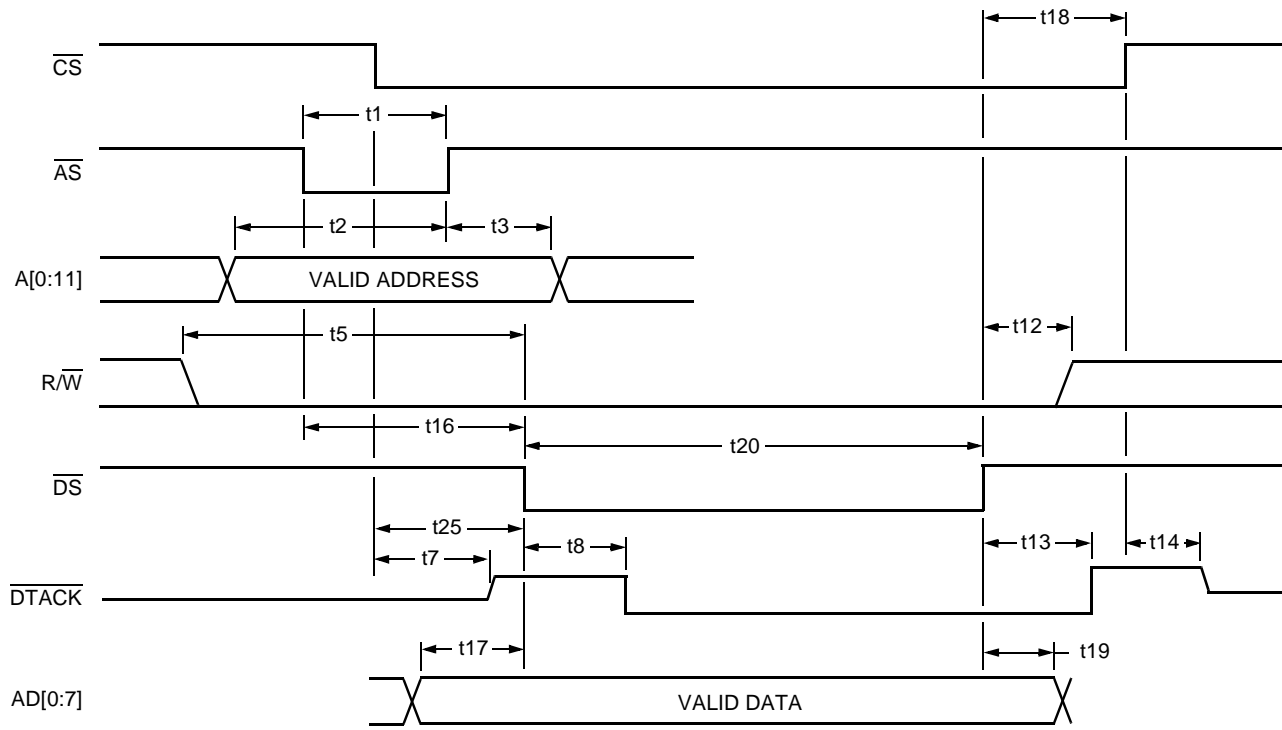
Note: The read and write timing diagrams for all four microprocessor interface modes are shown in Figure 59—Figure 66.

Microprocessor Interface (continued)



5-6422(F)r.1

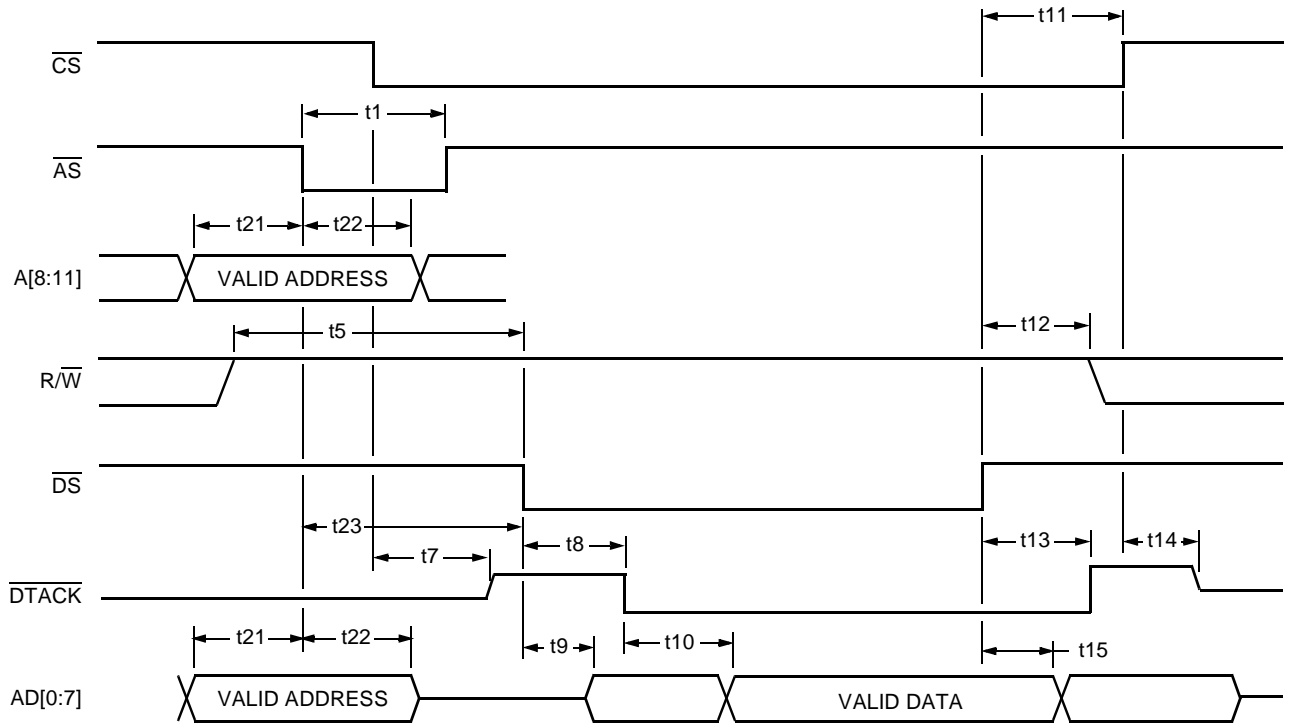
Figure 59. Mode 1—Read Cycle Timing (MPMODE = 0, MPMUX = 0)



5-6423(F)

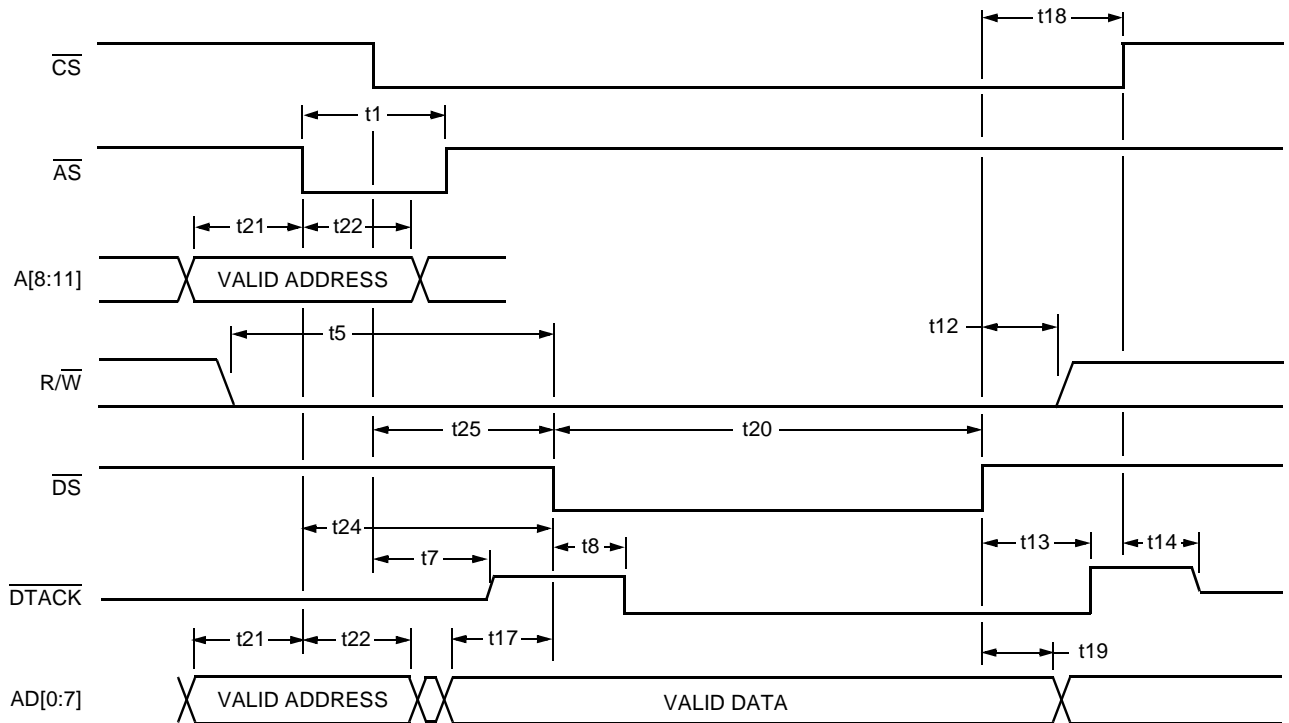
Figure 60. Mode 1—Write Cycle Timing (MPMODE = 0, MPMUX = 0)

Microprocessor Interface (continued)



5-6424(F)

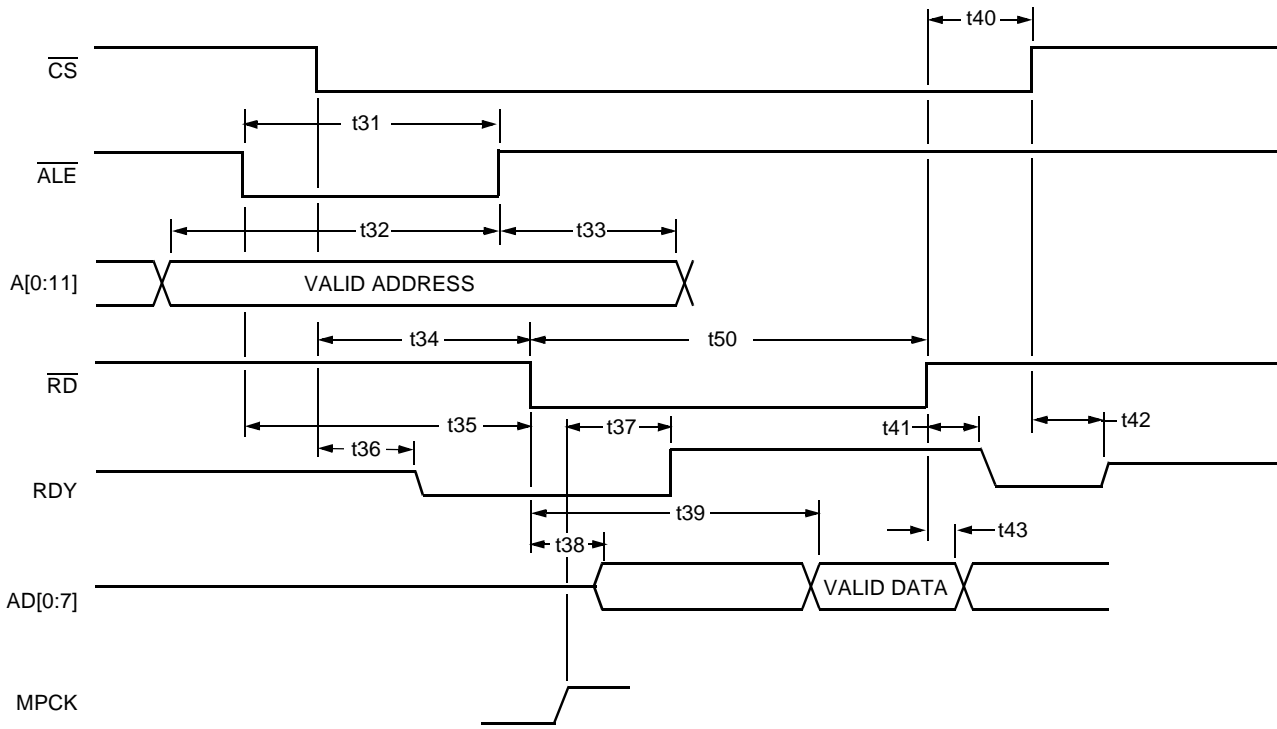
Figure 61. Mode 2—Read Cycle Timing (MPMODE = 0, MPMUX = 1)



5-6425(F)

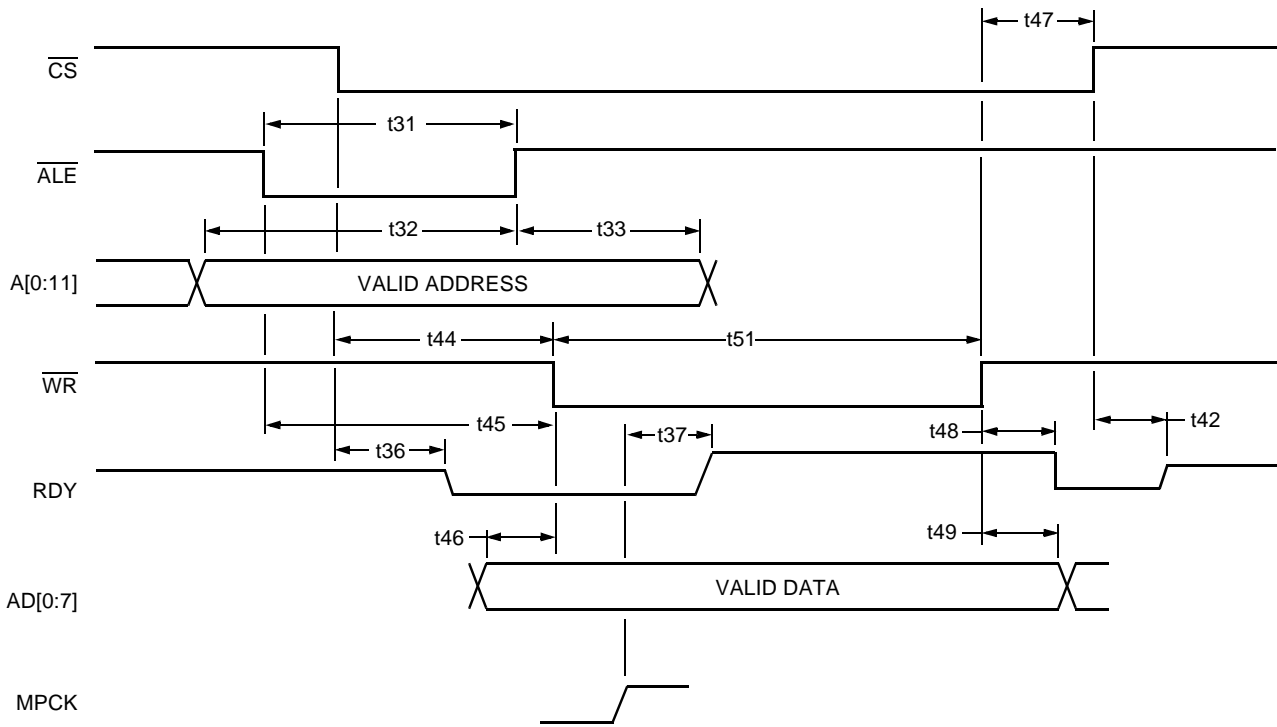
Figure 62. Mode 2—Write Cycle Timing (MPMODE = 0, MPMUX = 1)

Microprocessor Interface (continued)



5-6426(F)r.1

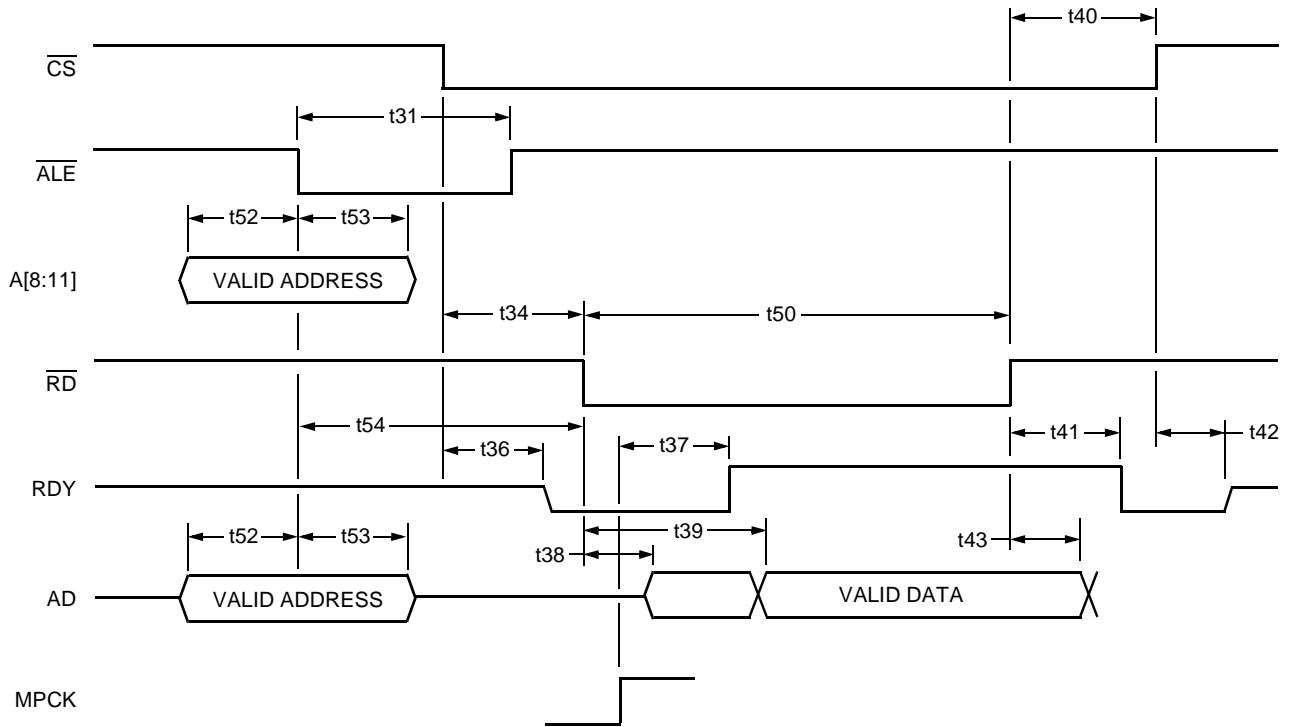
Figure 63. Mode 3—Read Cycle Timing (MPMODE = 1, MPMUX = 0)



5-6427(F)

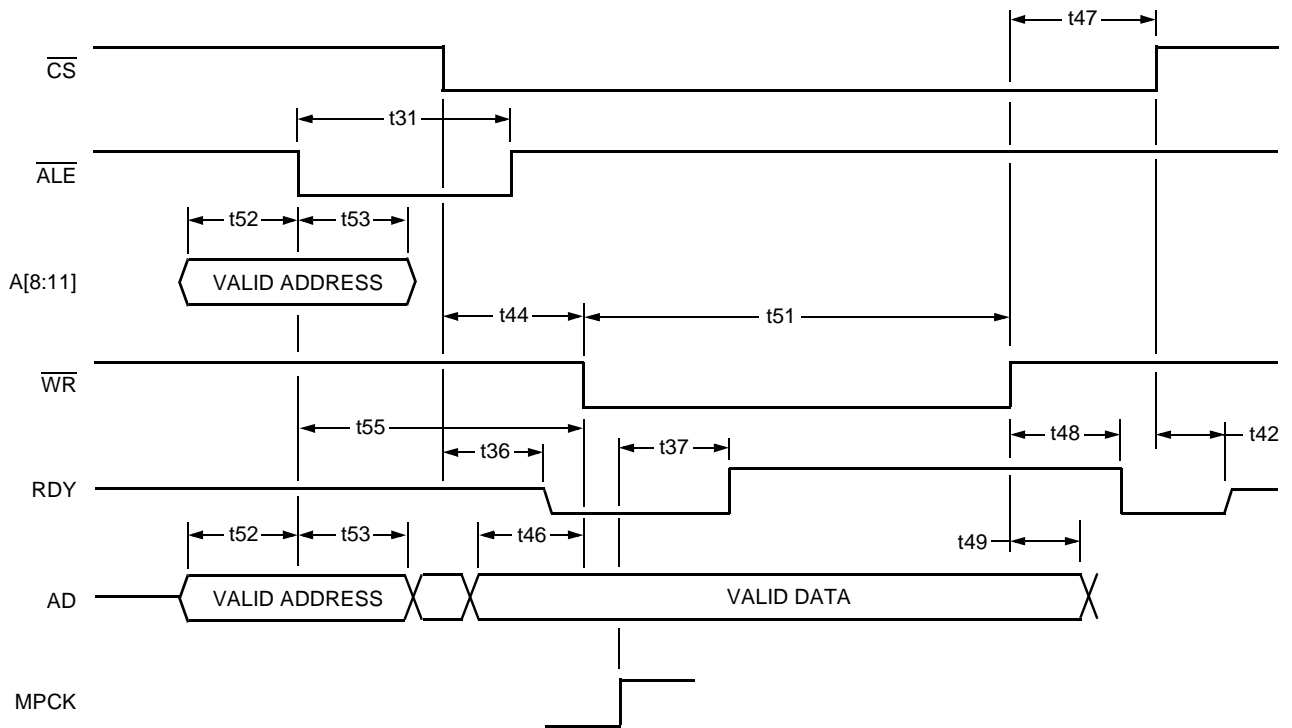
Figure 64. Mode 3—Write Cycle Timing (MPMODE = 1, MPMUX = 0)

Microprocessor Interface (continued)



5-6428(F)r.1

Figure 65. Mode 4—Read Cycle Timing (MPMODE = 1, MPMUX = 1)



5-6429(F)r.1

Figure 66. Mode 4—Write Cycle Timing (MPMODE = 1, MPMUX = 1)

## Reset

Both hardware and software resets are provided.

### Hardware Reset (Pin 43/139)

Hardware reset is enabled by asserting  $\overline{\text{RESET}}$  to 0. Each channel has independent resets,  $\overline{\text{RESET1}}$  (pin 139) for channel 1 and  $\overline{\text{RESET2}}$  (pin 43) for channel 2. The device is in an inactive condition when  $\overline{\text{RESET}}$  is 0, and becomes active when  $\overline{\text{RESET}}$  is returned to 1. Eight cycles of the LIU receive line clock, i.e., 5.2  $\mu\text{s}$  for T1 or 3.9  $\mu\text{s}$  for E1, is required to guarantee a complete reset. Upon completion of a reset cycle, the LIU register default values are controlled by the setting of  $\text{DS1}/\overline{\text{CEPT}}$  (pin 40/142), as given in Table 7. Transmit Line Interface Short-Haul Equalizer/Rate Control. If  $\text{DS1}/\overline{\text{CEPT}}$  is 1, the defaults are set for DS1 with line equalization for a 1 ft. to 131 ft. span. If  $\text{DS1}/\overline{\text{CEPT}}$  is 0, the defaults are set for CEPT with a line equalization for 120  $\Omega$  twisted pair or 75  $\Omega$  coax option 1.

Hardware reset of a single channel returns all LIU, framer, and FDL registers of that channel to their default values, as listed in the individual register descriptions and register maps, Table 197—Table 202. Reset of a single channel does not reset the global registers. Hardware reset of both channels simultaneously, both pin 43 and pin 139 set to 0, results in a complete device reset including a reset of the global registers.

## Software Reset/Software Restart

Independent software reset for each functional block of the device is available. The LIU may be placed in restart through register LIU\_REG2 bit 5 (RESTART). The framer may be reset through register FRM\_PR26 bit 0 (SWRESET), or placed in restart through FRM\_PR26 bit 1 (SWRESTART). The FDL receiver may be reset through register FDL\_PR26 bit 1 (FRR), and the FDL transmitter may be reset through FDL\_PR1 bit 5 (FTR). The reset functions, framer SWRESET (framer software reset), FDL FRR (FDL receiver reset), and FTR (FDL transmitter reset), reset the block and return all parameter/control registers for the block to their default values. The restart functions, LIU RESTART and framer SWRESTART (framer software restart), reset the block but do not alter the value of the parameter/control registers.

## Register Architecture

Table 68 is an overview of the register architecture. The table is a summary of the register function and address. Complete detail of each register is given in the following sections.

**Table 68. Register Summary**

Register	Function	Register Address (hex)	
		Channel 1	Channel 2
<b>Global Registers</b>			
GREG0	Primary Block Interrupt Status	000	
GREG1	Primary Block Interrupt Enable	001	
GREG2	Global Loopback Control	002	
GREG3	Global Loopback Control	003	
GREG4	Global Control	004	
GREG5	Device ID and Version	005	
GREG6	Device ID and Version	006	
GREG7	Device ID and Version	007	
<b>LIU Registers</b>			
LIU_REG0	LIU Alarm Status	400	A00
LIU_REG1	LIU Alarm Interrupt Enable	401	A01
LIU_REG2	LIU Control	402	A02
LIU_REG3	LIU Control	403	A03
LIU_REG4	LIU Control	404	A04
LIU_REG5	LIU Configuration	405	A05
LIU_REG6	LIU Configuration	406	A06
<b>Framer Registers</b>			
<b>Status Registers</b>			
FRM_SR0	Interrupt Status	600	C00
FRM_SR1	Facility Alarm Condition	601	C01
FRM_SR2	Remote End Alarm	602	C02
FRM_SR3	Facility Errored Event	603	C03
FRM_SR4	Facility Event	604	C04
FRM_SR5	Exchange Termination and Exchange Termination Remote End Interface Status	605	C05
FRM_SR6	Network Termination and Network Termination Remote End Interface Status	606	C06
FRM_SR7	Facility Event	607	C07
FRM_SR8, FRM_SR9	Bipolar Violation Counter	608, 609	C08, C09
FRM_SR10, FRM_SR11	Framing Bit Error Counter	60A, 60B	C0A, C0B
FRM_SR12, FRM_SR13	CRC Error Counter	60C, 60D	C0C, C0D
FRM_SR14, FRM_SR15	E-bit Counter	60E, 60F	C0E, C0F

**Register Architecture** (continued)**Table 68. Register Summary** (continued)

Register	Function	Register Address (hex)	
		Channel 1	Channel 2
<b>Framer Registers</b> (continued)			
<b>Status Registers</b> (continued)			
FRM_SR16, FRM_SR17	CRC-4 Error at NT1 from NT2 Counter	610, 611	C10, C11
FRM_SR18, FRM_SR19	E-bit at NT1 from NT2 Counter	612, 613	C12, C13
FRM_SR20, FRM_SR21	ET Errored Seconds Counter	614, 615	C14, C15
FRM_SR22, FRM_SR23	ET Bursty Errored Seconds Counter	616, 617	C16, C17
FRM_SR24, FRM_SR25	ET Severely Errored Seconds Counter	618, 619	C18, C19
FRM_SR26, FRM_SR27	ET Unavailable Seconds Counter	61A, 61B	C1A, C1B
FRM_SR28, FRM_SR29	ET-RE Errored Seconds Counter	61C, 61D	C1C, C1D
FRM_SR30, FRM_SR31	ET-RE Bursty Errored Seconds Counter	61E, 61F	C1E, C1F
FRM_SR32, FRM_SR33	ET-RE Severely Errored Seconds Counter	620, 621	C20, C21
FRM_SR34, FRM_SR35	ET-RE Unavailable Seconds Counter	622, 623	C22, C23
FRM_SR36, FRM_SR37	NT1 Errored Seconds Counter	624, 625	C24, C25
FRM_SR38, FRM_SR39	NT1 Bursty Errored Seconds Counter	626, 627	C26, C27
FRM_SR40, FRM_SR41	NT1 Severely Errored Seconds Counter	628, 629	C28, C29
FRM_SR42, FRM_SR43	NT1 Unavailable Seconds Counter	62A, 62B	C2A, C2B
FRM_SR44, FRM_SR45	NT1-RE Errored Seconds Counter	62C, 62D	C2C, C2D
FRM_SR46, FRM_SR47	NT1-RE Bursty Errored Seconds Counter	62E, 62F	C2E, C2F
FRM_SR48, FRM_SR49	NT1-RE Severely Errored Seconds Counter	630, 631	C30, C31
FRM_SR50, FRM_SR51	NT1-RE Unavailable Seconds Counter	632, 633	C32, C33
FRM_SR52	Receive NOT-FAS TS0	634	C34
FRM_SR53	Received Sa	635	C35
FRM_SR54— FRM_SR63	SLC-96 FDL/CEPT Sa Receive Stack	636—63F	C36—C3F



**Register Architecture** (continued)

**Table 68. Register Summary** (continued)

Register	Function	Register Address (hex)	
		Channel 1	Channel 2
<b>Framer Registers (continued)</b>			
<b>Received Signaling Registers</b>			
FRM_RSR0— FRM_RSR31	Received Signaling	640—65F	C40—C5F
<b>Parameter/Control Registers</b>			
FRM_PR0— FRM_PR7	Interrupt Group Enable	660—667	C60—C67
FRM_PR8	Framer Mode Option	668	C68
FRM_PR9	Framer CRC Control Option	669	C69
FRM_PR10	Alarm Filter	66A	C6A
FRM_PR11	Errored Second Threshold	66B	C6B
FRM_PR12, FRM_PR13	Severely Errored Second Threshold	66C, 66D	C6C, C6D
FRM_PR14	Errored Event Enable	66E	C6E
FRM_PR15	ET Remote End Errored Event Enable	66F	C6F
FRM_PR16	NT1 Errored Event Enable	670	C70
FRM_PR17, FRM_PR18	NT1 Remote End Errored Event Enable	671, 672	C71, C72
FRM_PR19	Automatic AIS to the System and Automatic Loopback Enable	673	C73
FRM_PR20	Transmit to the Line Command	674	C74
FRM_PR21	Framer FDL Loopback Transmission Codes Command	675	C75
FRM_PR22	Framer Transmit Line Idle Code	676	C76
FRM_PR23	Framer Transmit System Idle Code	677	C77
FRM_PR24	Primary Loopback Control	678	C78
FRM_PR25	Secondary Loopback Control	679	C79
FRM_PR26	System Frame Sync Mask Source	67A	C7A
FRM_PR27	Transmission of Remote Frame Alarm and CEPT Automatic Transmission of A bit = 1 Control	67B	C7B
FRM_PR28	CEPT Automatic Transmission of E bit = 0	67C	C7C
FRM_PR29	Sa4—Sa8 Source	67D	C7D
FRM_PR30	Sa4—Sa8 Control	67E	C7E
FRM_PR31— FRM_PR40	Sa Transmit Stack/ <i>SLC-96</i> Transmit Stack	67F—688	C7F—C88
FRM_PR41	Si-bit Source	689	C89
FRM_PR42	Frame Exercise	68A	C8A
FRM_PR43	System Interface Control	68B	C8B
FRM_PR44	Signaling Mode	68C	C8C
FRM_PR45	CHI Common Control	68D	C8D
FRM_PR46	CHI Common Control	68E	C8E
FRM_PR47	CHI Transmit Control	68F	C8F
FRM_PR48	CHI Receive Control	690	C90

**Register Architecture** (continued)

Table 68. Register Summary (continued)

Register	Function	Register Address (hex)	
		Channel 1	Channel 2
<b>Framer Registers</b> (continued)			
<b>Parameter/Control Registers</b> (continued)			
FRM_PR49— FRM_PR52	Transmit CHI Time-Slot Enable	691—694	C91—C94
FRM_PR53— FRM_PR56	Receive CHI Time-Sot Enable	695—698	C95—C98
FRM_PR57— FRM_PR60	CHI Transmit Highway Select	699—69C	C99—C9C
FRM_PR61— FRM_PR64	CHI Receive Highway Select	69D—6A0	C9D—CA0
FRM_PR65	CHI Transmit Control	6A1	CA1
FRM_PR66	CHI Receive Control	6A2	CA2
FRM_PR69	Auxiliary Pattern Generator Control	6A5	CA5
FRM_PR70	Auxiliary Pattern Detector Control	6A6	CA6
<b>Transmit Signaling Registers</b>			
FRM_TSR0— FRM_TSR31	Transmit Signaling	6E0—6F7	CE0—CF7
<b>Facility Data Link Registers</b>			
<b>FDL Parameter/Control Registers</b>			
FDL_PR0	FDL Configuration Control	800	E00
FDL_PR1	FDL Control	801	E01
FDL_PR2	FDL Interrupt Mask Control	802	E02
FDL_PR3	FDL Transmitter Configuration Control	803	E03
FDL_PR4	FDL Transmitter FIFO	804	E04
FDL_PR5	FDL Transmitter Mask	805	E05
FDL_PR6	FDL Receive Interrupt Level Control	806	E06
FDL_PR7	Not Assigned	—	—
FDL_PR8	FDL Receive Match Character	808	E08
FDL_PR9	FDL Transparent Control	809	E09
FDL_PR10	FDL Transmit ANS/ ESF Bit Codes	80A	E0A
<b>FDL Status Registers</b>			
FDL_SR0	FDL Interrupt Status	80B	E0B
FDL_SR1	FDL Transmitter Status	80C	E0C
FDL_SR2	FDL Receiver Status	80D	E0D
FDL_SR3	FDL ANS/ Bit Codes Status	80E	E0E
FDL_SR4	FDL Receive FIFO	807	E07

## Global Register Architecture

REGBANK0 contains the status and programmable control registers for all global functions. The address of these registers is 000 (hex) to 007 (hex). These registers control both channels of the terminator.

The register bank architecture is shown in Table 69. The register bank consists of 8-bit registers classified as primary block interrupt status register, primary block interrupt enable register, global loopback control register, global terminal control register, device identification register, and global internal interface control register.

GREG0 is a clear on read (COR) register. This register is cleared by the framer internal received line clock (LIU\_RLCK of Figure 18 Block Diagram of Framer Line Interface on page 46). At least two RFRMCK cycles (1.3  $\mu$ s for DS1 and 1.0  $\mu$ s for CEPT) must be allowed between successive reads of the same COR register to allow it to properly clear.

The default values are shown in parentheses.

**Table 69. Global Register Set (0x000—0x008)**

Global Register [Address (hex)]	Bit 7	Bit 6	Bit 5	Bit 4	Bit 3	Bit 2	Bit 1	Bit 0
GREG0[000]	Reserved (0)	FDL2INT (0)	FRMR2INT (0)	LIU2INT (0)	Reserved (0)	FDL1INT (0)	FRMR1INT (0)	LIU1INT (0)
GREG1[001]	Reserved (0)	FDL2IE (0)	FRMR2IE (0)	LIU2IE (0)	Reserved (0)	FDL1IE (0)	FRMR1IE (0)	LIU1IE (0)
GREG2[002]	TID2-RSD1 (0)	TSD2-RSD1 (0)	TID1-RSD1 (0)	TSD1-RSD1 (0)	TSD2-RID1 (0)	TID2-RID1 (0)	TSD1-RID1 (0)	TID1-RID1 (0)
GREG3[003]	TID1-RSD2 (0)	TSD1-RSD2 (0)	TID2-RSD2 (0)	TSD2-RSD2 (0)	TSD1-RID2 (0)	TID1-RID2 (0)	TSD2-RID2 (0)	TID2-RID2 (0)
GREG4[004]	Reserved (0)	ALIE (0)	SECCTRL (0)	Reserved (0)	T1-R2 (0)	T2-R1 (0)	Reserved (0)	Reserved (0)
GREG5[005]	0	1	1	1	0	1	1	0
GREG6[006]	0	0	1	1	0	0	0	0
GREG7[007]	0	0	0	0	0	0	1	0

The following section describes the global registers in Tables 70—75.

## Global Register Structure

### Primary Block Interrupt Status Register (GREG0)

A bit set to 1 indicates the block has recently generated an interrupt. **This register is cleared on read.**

**Table 70. Primary Block Interrupt Status Register (GREG0) (000)**

Bit	Symbol	Description
0	LIU1INT	<b>Line Interface Unit 1 Interrupt.</b> A 1 indicates LIU1 generated an interrupt.
1	FRMR1INT	<b>Framer 1 Interrupt.</b> A 1 indicates framer 1 generated an interrupt.
2	FDL1INT	<b>Facility Data Link 1 Interrupt.</b> A 1 indicates FDL1 generated an interrupt.
3	—	<b>Reserved.</b>
4	LIU2INT	<b>Line Interface Unit 2 Interrupt.</b> A 1 indicates LIU2 generated an interrupt.
5	FRMR2INT	<b>Framer 2 Interrupt.</b> A 1 indicates framer 2 generated an interrupt.
6	FDL2INT	<b>Facility Data Link 2 Interrupt.</b> A 1 indicates FDL2 generated an interrupt.
7	—	<b>Reserved.</b>

### Primary Block Interrupt Enable Register (GREG1)

This register enables the individual blocks to assert the interrupt pin.

**Table 71. Primary Block Interrupt Enable Register (GREG1) (001)**

Bit	Symbol	Description
0	LIU1IE	<b>Line Interface 1 Interrupt Enable.</b> A 1 enables LIU1 interrupts.
1	FRMR1IE	<b>Framer 1 Interrupt Enable.</b> A 1 enables framer 1 interrupts.
2	FDL1IE	<b>Facility Data Link 1 Interrupt Enable.</b> A 1 enables FDL1 interrupts.
3	—	<b>Reserved.</b> Write to 0.
4	LIU2IE	<b>Line Interface 2 Interrupt Enable.</b> A 1 enables LIU2 interrupts.
5	FRMR2IE	<b>Framer 2 Interrupt Enable.</b> A 1 enables framer 2 interrupts.
6	FDL2IE	<b>Facility Data Link 2 Interrupt Enable.</b> A 1 enables FDL2 interrupts.
7	—	<b>Reserved.</b> Write to 0.

## Global Register Structure (continued)

### Global Loopback Control Register (GREG2)

This register enables the framer inputs RCHIDATA1 and RCHIDATAB1 to be driven by various internal sources. A 1 enables the specified loopback. The default of the register 00 (hex) disables all loopbacks and enables external sources to drive these inputs.

**Table 72. Global Loopback Control Register (GREG2) (002)**

Bit	Symbol	Description
0	TID1—RID1	TCHIDATA1 to RCHIDATA1 Connection.
1	TSD1—RID1	TCHIDATAB1 to RCHIDATA1 Connection.
2	TID2—RID1	TCHIDATA2 to RCHIDATA1 Connection.
3	TSD2—RID1	TCHIDATAB2 to RCHIDATA1 Connection.
4	TSD1—RSD1	TCHIDATAB1 to RCHIDATAB1 Connection.
5	TID1—RSD1	TCHIDATA1 to RCHIDATAB1 Connection.
6	TSD2—RSD1	TCHIDATAB2 to RCHIDATAB1 Connection.
7	TID2—RSD1	TCHIDATA2 to RCHIDATAB1 Connection.

### Global Loopback Control Register (GREG3)

This register enables the framer inputs RCHIDATA2 and RCHIDATAB2 to be driven by various internal sources. A 1 enables the specified loopback. The default of the register 00 (hex) disables all loopbacks and enables external sources to drive these inputs.

**Table 73. Global Loopback Control Register (GREG3) (003)**

Bit	Symbol	Description
0	TID2—RID2	TCHIDATA2 to RCHIDATA2 Connection.
1	TSD2—RID2	TCHIDATAB2 to RCHIDATA2 Connection.
2	TID1—RID2	TCHIDATA1 to RCHIDATA2 Connection.
3	TSD1—RID2	TCHIDATAB1 to RCHIDATA2 Connection.
4	TSD2—RSD2	TCHIDATAB2 to RCHIDATAB2 Connection.
5	TID2—RSD2	TCHIDATA2 to RCHIDATAB2 Connection.
6	TSD1—RSD2	TCHIDATAB1 to RCHIDATAB2 Connection.
7	TID1—RSD2	TCHIDATA1 to RCHIDATAB2 Connection.

**Global Register Structure** (continued)**Global Control Register (GREG4)**

This register enables LIU1 to LIU2 loopbacks (bit 2 and bit 3), source of the output second pulse (bit 5), interrupt polarity (bit 6), and source of framer resets (bit 7).

**Table 74. Global Control Register (GREG4) (004)**

Bit	Symbol	Description
0	—	<b>Reserved.</b> Write to zero.
1	—	<b>Reserved.</b> Write to zero.
2	T2-R1	<b>TLCK2, TPD2, and TND2 to RLCK1, RPD1, and RND1 Connection.</b> A 1 makes the indicated loopback.
3	T1-R2	<b>TLCK1, TPD1, and TND1 to RLCK2, RPD2, and RND2 Connection.</b> A 1 makes the indicated loopback.
4	—	<b>Reserved.</b> Write to zero.
5	SECCTRL	<b>SECOND Pulse Source Control.</b> A 0 enables framer 1 to source the output second pulse (SECOND). A 1 enables framer 2 to source the output second pulse.
6	ALIE	<b>Active-Low Interrupt Enable.</b> A 1 enables active-low interrupt.
7	—	<b>Reserved.</b> Write to zero.

**Device ID and Version Registers (GREG5—GREG7)**

These bits define the device and version number.

**Table 75. Device ID and Version Registers (GREG5—GREG7) (005—007)**

	Register	Bit 7	Bit 6	Bit 5	Bit 4	Bit 3	Bit 2	Bit 1	Bit 0
Device Code	GREG5	0	1	1	1	0	1	1	0
Device Code	GREG6	0	0	1	1	0	0	0	0
Version #	GREG7	0	0	0	0	0	0	1	0

## Line Interface Unit (LIU) Register Architecture

REGBANK2 and REGBANK5 contain the status and programmable registers for the line interface unit channels LIU1 and LIU2 respectively. The base address for REGBANK2 is 400(hex) and for REGBANK5 is A00(hex). Within these register banks, the bit map is identical for both LIU1 and LIU2.

The register bank architecture for LIU1 and LIU2 is shown in Table 76. The register bank consists of 8-bit registers classified as alarm status register, alarm mask register, status register, status interrupt mask register, control registers, and configuration registers.

Register LIU\_REG0 is the alarm status register used for storing the various LIU alarms and status. It is a read-only, clear-on-read (COR) register. This register is cleared on the rising edge of MPCLK, if present, or on the rising edge of the internally generated 2.048 MHz clock derived from the CHI clock if MPCLK is not present. Register LIU\_REG1 contains the individual interrupt enable bits for the alarms in LIU\_REG0.

Register LIU\_REG2, LIU\_REG3, and LIU\_REG4 are designated as control registers while LIU\_REG5 and LIU\_REG6 are configuration registers. These are used to set up the individual LIU channel functions and parameters.

The default values are shown in parentheses.

The following sections describe the LIU registers in more detail.

**Table 76. Line Interface Units Register Set\* ((400—40F); (A00—A0F))**

LIU Register	LIU Register [Address (HEX)]	Bit 7	Bit 6	Bit 5	Bit 4	Bit 3	Bit 2	Bit 1	Bit 0
<b>Alarm Register (Read Only) (Latches Alarm, Clear On Read)</b>									
LIU_REG0	400; A00	0	0	0	0	LOTCL	TDM	DLOS	ALOS
<b>Alarm Interrupt Enable Register (Read/Write)</b>									
LIU_REG1	401; A01	Reserved (0)	Reserved (0)	Reserved (0)	Reserved (0)	LOTCLIE (0)	TDMIE (0)	DLOSIE (0)	ALOSIE (0)
<b>Control Registers (Read/Write)</b>									
LIU_REG2	402; A02	Reserved (0)	Reserved (0)	RESTART (0)	HIGHZ (0)	Reserved (0)	LOSST (0)	Reserved (0)	Reserved (0)
LIU_REG3	403; A03	Reserved† (1)	Reserved† (1)	Reserved† (1)	LOSSD (0)	DUAL (0)	CODE (1)	JAT (0)	JAR (0)
LIU_REG4	404; A04	Reserved (0)	Reserved (0)	JABW0 (0)	PHIZALM (0)	PRLALM (0)	PFLALM (0)	RCVAIS (0)	ALTIMER (0)
<b>Configuration Registers (Read/Write)</b>									
LIU_REG5	405; A05	Reserved (0)	Reserved (0)	Reserved (0)	Reserved (0)	LOOPA (0)	LOOPB (0)	XLAIS (1)	PWRDN (0)
LIU_REG6	406; A06	Reserved (0)	Reserved (0)	Reserved (0)	Reserved (0)	Reserved 0(0)	EQ2 (0,DS1) (1,CEPT)	EQ1 (0,DS1) (1,CEPT)	EQ0 (0)

\* The logic value, in parentheses below each bit definition, is the default state upon completion of hardware reset.

† These bits must be written to 1.

## Line Interface Alarm Register

### Alarm Status Register (LIU\_REG0)

Bits 0—3 of this register represent the status of the line interface receiver and transmitter alarms ALOS, DLOS, TDM, and LOTC. The alarm indicators are active-high and automatically clear on a microprocessor read if the corresponding alarm conditions no longer exist.\* However, persistent alarm conditions will cause these bits to remain set even after a microprocessor read. This is a read-only register.

**Table 77. LIU Alarm Status Register (LIU\_REG0) (400, A00)**

Bit	Symbol	Description
0	ALOS	<b>Receive Analog Loss of Signal.</b> A 1 indicates the LIU receive channel has detected an analog loss of signal condition/event.
1	DLOS	<b>Receive Digital Loss of Signal.</b> A 1 indicates the LIU receive channel has detected a digital loss of signal condition/event.
2	TDM	<b>Transmit Driver Monitor Alarm.</b> A 1 indicates the LIU transmit channel has detected a transmit driver monitor alarm condition/event.
3	LOTC	<b>Transmit Loss of Transmit Clock Alarm.</b> A 1 indicates the LIU transmit channel has detected a loss of transmit clock condition/event.
4—7	—	<b>Reserved.</b>

## Line Interface Alarm Interrupt Enable Register

### Alarm Interrupt Enable Register (LIU\_REG1)

The bits in the alarm interrupt enable register allow the user to selectively enable generation of an interrupt by each channel alarm. The enable bits correspond to their associated alarm status bits in the alarm status register, LIU\_REG0. The interrupt enable function is active-high. When an enable bit is set, the corresponding alarm is enabled to generate an interrupt. Otherwise, the alarm is disabled from generating an interrupt.

The enable function only impacts the ability to generate an interrupt signal. The proper alarm status will be reflected in LIU\_REG0 even when the corresponding enable bit is set to zero. Any other LIU behavior associated with an alarm event will operate normally even if the interrupt is not enabled.

This is a read/write register

**Table 78. LIU Alarm Interrupt Enable Register (LIU\_REG1) (401, A01)**

Bit	Symbol	Description
0	ALOSIE	<b>Enable Analog Loss of Signal Interrupt.</b> A 1 enables an interrupt in response to ALOS alarm.
1	DLOSIE	<b>Enable Digital Loss of Signal Interrupt.</b> A 1 enables an interrupt in response to DLOS alarm.
2	TDMIE	<b>Enable Transmit Driver Monitor Interrupt.</b> A 1 enables an interrupt in response to TDM alarm.
3	LOTCIE	<b>Enable loss of Transmit Clock Interrupt.</b> A 1 enables an interrupt in response to LOTC alarm.
4—7	—	<b>Reserved.</b> Write to 0.

\* See T7630 Device Advisory for signal timing requirements.



## Line Interface Control Registers

The bits in the control registers allow the user to configure the various device functions for the individual line interface channels 1 and 2. All the control bits (with the exception of LOSSTD) are active-high.

### LIU Control Register (LIU\_REG2)

Table 79. LIU Control Register (LIU\_REG2) (402, A02)

Bit	Symbol	Description
0	—	<b>Reserved.</b> Write to 0.
1	—	<b>Reserved.</b> Write to 0.
2	LOSSTD	The LOSSTD bit selects the conformance protocol for the DLOS receiver alarm function. LOSSTD = 0 selects standards T1M1.3/93-005, ITU-T G.755 for DS1 mode and ITU-T G.755 for CEPT mode. LOSSTD = 1 selects standards TR-TSY-000009 for DS1 and ITU-T G.775 for CEPT.
3	—	<b>Reserved.</b> Write to 0.
4	HIGHZ	The HIGHZ bit places the LIU in a high-impedance state. When HIGHZ = 1, the TTIP and TRING transmit drivers for the specified channel are placed in a high-impedance state.
5	RESTART	The RESTART bit is used for device initialization through the microprocessor interface. RESTART = 1 resets the data path circuits. Data path circuits will be reset, but the microprocessor registers state will not be altered by a restart action.
6—7	—	<b>Reserved.</b> Write to 0.

### LIU Control Register (LIU\_REG3)

The default value of this register is E4 (hex)

Table 80. LIU Control Register (LIU\_REG3) (403, A03).

Bit	Symbol	Description
0	JAR	The JAR bit is used to enable and disable the jitter attenuator function in the receive path. The JAR and JAT control bits are mutually exclusive, i.e., either JAR or the JAT control bit can be set, but not both. JAR = 1 places jitter attenuator in the receive path.
1	JAT	The JAT bit is used to enable and disable the jitter attenuator function in the transmit path. The JAT and JAR control bits are mutually exclusive, i.e., either JAT or the JAR control bit can be set, but not both. JAT = 1 places jitter attenuator in the transmit path.
2	CODE	The CODE bit is used to enable and disable the B8ZS/HDB3 zero substitution coding in the transmit and decoding in the receive path. CODE is used in conjunction with the DUAL bit and is valid only for single-rail operation. CODE = 1 activates the coding/decoding functions. The default value is CODE = 1.
3	DUAL	The DUAL bit is used to select single- or dual-rail mode of operation. DUAL = 1 selects the dual-rail mode.
4	LOSSD	The LOSSD bit selects the shutdown function for the receiver during DLOS. LOSSD operates in conjunction with the RCVAIS bit (see Table 4, LOSSD and RCVAIS Control Configurations (Not Valid During Loopback Modes), repeated below for reference)
5—7	—	<b>Reserved.</b> Write to 1.

Note: These registers must be written to 1 for the LIU-to-framer interface to be functional.

**Line Interface Control Registers** (continued)**Table 81. LOSSD and RCVAIS Control Configurations (Not Valid During Loopback Modes) (from Table 4)**

LOSSD	RCVAIS	ALARM	RPD/RND	RLCK
0	0	ALOS	0	Free Runs
0	0	DLOS	Normal Data	Recovered Clock
1	0	ALOS	0	Free Runs
1	0	DLOS	0	Free Runs
0	1	ALOS	AIS (all ones)	Free Runs
0	1	DLOS	AIS (all ones)	Free Runs
1	1	ALOS	0	Free Runs
1	1	DLOS	0	Free Runs

**LIU Control Register (LIU\_REG4)****Table 82. LIU Register (LIU\_REG4) (404, A04)**

Bit	Symbol	Description
0	ALTIMER	The ALTIMER bit is used to select the time required to declare ALOS. ALTIMER = 0 selects 1 ms—2.6 ms. ALTIMER = 1 selects 10 bit to 255 bit periods.
1	RCVAIS	The RCVAIS bit selects the shut down function for the receiver during ALOS alarm (ALOS). RCVAIS operates in conjunction with the LOSSD bit. See LIU-REG3.
2	PFLALM	PFLALM prevents the DLOS alarm from occurring during FLLOOP activation. PFLALM = 1 activates the PFLALM function.
3	PRLALM	PRLALM prevents the LOTC alarm from occurring during RLOOP activation/deactivation. PRLALM = 1 activates the PRLALM function.
4	PHIZALM	PHIZALM prevents the TDM alarm from occurring when the driver are in a high-impedance state. PHIZALM = 1 activates the PHIZALM function.
5	JABW0	JABW0 = 1 selects the lower bandwidth jitter attenuator option in CEPT mode.

## Line Interface Control Registers (continued)

### LIU Configuration Register (LIU\_REG5)

The control bits in the channel configuration register 5 are used to select powerdown mode, AIS generation, and loopbacks for the LIU. The PWRDN and XLAIS bits are active-high. This is a read/write register. The default value of this register is 02 (hex).

**Table 83. LIU Configuration Register (LIU\_REG5) (405, A05)**

Bit	Symbol	Description
0	PWRDN	PWRDN = 1 activates powerdown.
1	XLAIS	XLAIS = 1 enables transmission of an all ones signal to the line interface. XLAIS = 1 after a reset allowing immediate generation of alarm signal as long as a clock source is present. The default value is XLAIS = 1.
2	LOOPB	The LOOPA bit is used in conjunction with LOOPB to select the channel loopback modes. See Table 11, repeated below for reference.
3	LOOPA	
4—7	—	<b>Reserved.</b> Write to 0.

**Table 84. Loopback Control (from Table 11)**

Operation	Symbol	LOOPA	LOOPB
Normal*	—	0	0
Full Local Loopback	FLLOOP <sup>†</sup>	0	1
Remote Loopback	RLOOP <sup>‡</sup>	1	0
Digital Local Loopback	DLLOOP	1	1

\* The reset default condition is LOOPA = LOOPB = 0 (no loopback).

<sup>†</sup> During the transmit AIS condition, the looped data will be the transmitted data from the framer or system interface and not the all ones signal.

<sup>‡</sup> Transmit AIS request is ignored.

### LIU Configuration Register (LIU\_REG6)

The control bits in the channel configuration register 6 are used to select LIU transmit equalization settings. This is a read/write register. The default value of this register is 00 (hex) in DS1 when DS1/CEPT (pin 40/142) is set to 1, and 06 (hex) in CEPT when DS1/CEPT (pin 40/142) is set to 0.

**Table 85. LIU Configuration Register (LIU\_REG6) (406, A06)**

Bit	Symbol	Description
0	EQ0	The EQ0, EQ1, and EQ2 bits select the type of service (DS1 or CEPT) and the associated transmitter cable equalization/line build out/termination impedances. See Table 7, Transmit Line Interface Short-Haul Equalizer/Rate Control, repeated below for reference.
1	EQ1	
2	EQ2	
3—7	—	<b>Reserved.</b> Write to 0.

Line Interface Control Registers (continued)

Table 86. Transmit Line Interface Short-Haul Equalizer/Rate Control (from Table 7)

Short-Haul Applications							
EQ2	EQ1	EQ0	Service	Clock Rate	Transmitter Equalization*†		Maximum Cable Loss to DSX‡
					Feet	Meters	
0	0	0	DSX-1	1.544 MHz	0 to 131	0 to 40	0.6
0	0	1			131 to 262	40 to 80	1.2
0	1	0			262 to 393	80 to 120	1.8
0	1	1			393 to 524	120 to 160	2.4
1	0	0			524 to 655	160 to 200	3.0
1	0	1	CEPT§	2.048 MHz	75 Ω (Option 2)		—
1	1	0			120 Ω or 75 Ω (Option 1)		
1	1	1			Not Used		

\* In DS1 mode, the distance to the DSX for 22-Gauge PIC (ABAM) cable is specified. Use the maximum cable loss figures for other cable types. In CEPT mode, equalization is specified for coaxial or twisted-pair cable.

† Reset default state is EQ2, EQ1, and EQ0 = 000 when pin DS1\_CEPT = 1 and EQ2, EQ1, and EQ0 = 110 when pin DS1\_CEPT = 0.

‡ Loss measured at 772 kHz.

§ In 75 Ω applications, Option 1 is recommended over Option 2 for lower LIU power dissipation. Option 2 allows for the use of the same transformer as in CEPT 120 Ω applications (see Line Interface Unit: Line Circuitry section).

Framer Register Architecture

REGBANK3 and REGBANK6 contain the status and programmable control registers for the framer and system (CHI) interface channels FRM1 and FRM2. The base address for REGBANK3 is 600 (hex) and for REGBANK6 is C00 (hex). Within these register banks, the bit map is identical for both FRM1 and FRM2.

The framer registers are structures as shown in Table 87. Default values are given in the individual register definition tables.

Table 87. Framer Status and Control Blocks Address Range (Hexadecimal)

Framer Register Block
Status Registers (COR) ((600—63F); (C00—C3F))
Receive Signaling Registers ((640—65F); (C40—C5F))
Parameter (Configuration) Registers ((660—6A6); (C60—CA6))
Transmit Signaling Registers ((6E0—6FF); (CE0—CFF))

The complete register map for the framer is given in Table 201 to Table 203.

All status registers are clocked with the internal framer receive line clock (RFRMCK).

Bits in status registers FRM\_SR1 and FRM\_SR7 are set at the onset of the condition and are cleared on read when the given condition is no longer present. These registers can generate interrupts if the corresponding register bits are enabled in interrupt enable registers FRM\_PR0—FRM\_PR7.

## Framer Register Architecture (continued)

On all 16-bit counter registers (FRM\_SR8—FRM\_SR51), both bytes are cleared only after reading both bytes. These status registers are two byte register pairs. These register pairs must be read in succession, with the lower byte read first followed by a read of higher byte. Once a read is initiated on one of the bytes, the updating of that counter is disabled and remains disabled until both bytes are read. All events during this interval are lost. Updating of the counter registers is stopped when all of the bits are set to 1. Updating resumes after the registers are cleared on read. These register pairs may be read in any order, but they must be read in pairs, i.e., a read of 1 byte must be followed immediately by a read of the remaining byte of the pair.

Status registers FRM\_SR0—FRM\_SR63 are clear-on-read (COR) registers. These registers are cleared by the framer internal received line clock (RFRMCK). At least two RFRMCK cycles (1.3  $\mu$ s for DS1 and 1.0  $\mu$ s for CEPT) must be allowed between successive reads of the same COR register to allow it to properly clear.

## Framer Status/Counter Registers

Registers FRM\_SR0—FRM\_SR63 report the status of each framer. All are clear-on-read, read only registers.

### Interrupt Status Register (FRM\_SR0)

The interrupt pin (INTERRUPT) goes active when a bit in this register and its associated interrupt enable bit in registers FRM\_PR0—FRM\_PR7 are set, and the interrupt for the framer block is enabled in register GREG1.

**Table 88. Interrupt Status Register (FRM\_SR0) (600; C00)**

Bit	Symbol	Description
0	FAC	<b>Facility Alarm Condition.</b> A 1 indicates a facility alarm occurred (go read FRM_SR1).
1	RAC	<b>Remote Alarm Condition.</b> A 1 indicates a remote alarm occurred (go read FRM_SR2).
2	FAE	<b>Facility Alarm Event.</b> A 1 indicates a facility alarm occurred (go read FRM_SR3 and FRM_SR4).
3	ESE	<b>Errored Second Event.</b> A 1 indicates an errored second event occurred (go read FRM_SR5, FRM_SR6, and FRM_SR7).
4	TSSFE	<b>Transmit Signaling Superframe Event.</b> A 1 indicates that a MOS superframe block has been transmitted and the transmit signaling data buffers are ready for new data.
5	RSSFE	<b>Receive Signaling Superframe Event.</b> A 1 indicates that a MOS superframe block has been received and the receive signaling data buffers must be read.
6	—	<b>Reserved.</b>
7	S96SR	<b>SLC-96 Stack Ready.</b> A 1 indicates that either the transmit framer <i>SLC-96</i> stack is ready for more data or the receive framer <i>SLC-96</i> stack contains new data.

**Framer Register Architecture** (continued)**Facility Alarm Condition Register (FRM\_SR1)**

The bits in the facility alarm condition register (FRM\_SR1) indicate alarm state of the receive framer section. Interrupts from this register are generated once at the onset of the alarm condition. If the alarm condition is still present at the time of the read, the bit will remain in the 1 state for the duration of the alarm condition. If the alarm condition is no longer present at the time of the read, then the bit is cleared on read.

**Table 89. Facility Alarm Condition Register (FRM\_SR1) (601; C01)**

Bit	Symbol	Description
0	LFA	<b>Loss of Frame Alignment.</b> A 1 indicates the receive framer is in a loss of frame alignment and is currently searching for a new alignment.
1	LSFA	<b>Loss of Signaling Superframe Alignment.</b> A 1 indicates the receive framer is in a loss of signaling superframe alignment in the DS1 framing formats. A search for a new signaling superframe alignment starts once frame alignment is established.
	LTS16MFA	<b>Loss of Time Slot 16 Signaling Multiframe Alignment.</b> A 1 indicates the receive framer is in a loss of time slot 16 signaling multiframe alignment in the CEPT mode. A search for a new time slot 16 signaling multiframe alignment starts once frame alignment is established. This bit is 0 when the T7630 is programmed for the transparent signaling mode, register FRM_PR44 bit 0 (TSIG) = 1.
2	LTSFA	<b>Loss of Transmit Superframe Alignment.</b> A 1 indicates superframe alignment pattern in the transmit facility data link as defined for SLC-96 is lost. Only valid for SLC-96 mode. This bit is 0 in all other DS1 modes.
	LTS0MFA	<b>Loss of Time Slot 0 CRC-4 Multiframe Alignment.</b> A 1 indicates an absence of CRC-4 multiframe alignment after initial basic frame alignment is established. A 0 indicates either CRC-4 checking is disabled or CRC-4 multiframe alignment has been successfully detected.
3	LFALR	<b>Loss of Frame Alignment Since Last Read.</b> A 1 indicates that the LFA state indicated in bit 0 of this register is the same LFA state as the previous read.
4	LBFA	<b>Loss of Biframe Alignment.</b> A 1 indicates that the CEPT biframe alignment pattern (alternating 10 in bit 2 of time slot 0 of each frame) in the receive system data is errored. This alignment pattern is required when transmitting the Si or Sa bits transparently. Only valid in the CEPT mode. This bit is 0 in all other modes.
5	RTS16AIS	<b>Receive Time Slot 16 Alarm Indication Signal.</b> A 1 indicates the receive framer detected time slot 16 AIS in the CEPT mode. This bit is 0 in the DS1 modes.
6	AUXP	<b>Auxiliary Pattern.</b> A 1 indicates the detection of a valid AUXP (unframed 1010 . . . pattern) in the CEPT mode. This bit is 0 in the DS1 modes.
7	AIS	<b>Alarm Indication Signal.</b> A 1 indicates the receive framer is currently receiving an AIS pattern from its remote line end.

## Framer Register Architecture (continued)

### Remote End Alarm Register (FRM\_SR2)

A bit set to 1 indicates the receive framer has recently received the given alarm. Interrupts from this register are generated once at the beginning of the alarm condition. If the alarm is still present at the time of the read, the bit will remain in the 1 state for the duration of the alarm condition. If the alarm condition is no longer present at the time of the read, then the bit is cleared on read.

**Table 90. Remote End Alarm Register (FRM\_SR2) (602; C02)**

Bit	Symbol	Description
0	RFA	<b>Remote Framer Alarm.</b> A 1 indicates the receive framer detected a remote frame (yellow) alarm.
1	RJYA	<b>Remote Japanese Yellow Alarm.</b> A 1 indicates the receive framer detected the Japanese format remote frame alarm.
	RTS16MFA	<b>Remote Multiframe Alarm.</b> A 1 indicates the receive framer detected a time slot 16 remote frame alarm in the CEPT mode.
2	CREBIT	<b>Continuous Received E Bits.</b> A 1 indicates the detection of a five-second interval containing $\geq 991$ E bit = 0 events in each second. This bit is 0 in the DS1 mode.
3	Sa6 = 8	<b>Received Sa6 = 8.</b> A 1 indicates the receive framer detected a Sa6 code equal to 1000. This bit is 0 in the DS1 mode.
4	Sa6 = A	<b>Received Sa6 = A.</b> A 1 indicates the receive framer detected a Sa6 code equal to 1010. This bit is 0 in the DS1 mode.
5	Sa6 = C	<b>Received Sa6 = C.</b> A 1 indicates the receive framer detected a Sa6 code equal to 1100. This bit is 0 in the DS1 mode.
6	Sa6 = E	<b>Received Sa6 = E.</b> A 1 indicates the receive framer detected a Sa6 code equal to 1110. This bit is 0 in the DS1 mode.
7	Sa6 = F	<b>Received Sa6 = F.</b> A 1 indicates the receive framer detected a Sa6 code equal to 1111. This bit is 0 in the DS1 mode.

**Framer Register Architecture** (continued)**Facility Errored Event Register (FRM\_SR3)**

A bit set to 1 indicates the receive framer has recently received the given errored event.

**Table 91. Facility Errored Event Register-1 (FRM\_SR3) (603; C03)**

Bit	Symbol	Description
0	LFV	<b>Line Format Violation.</b> A 1 indicates the receive framer detected a bipolar line coding or excessive zeros violation.
1	FBE	<b>Frame-Bit Errored.</b> A 1 indicates the receive framer detected a frame-bit or frame alignment pattern error.
2	CRCE	<b>CRC Errored.</b> A 1 indicates the receive framer detected CRC errors.
3	ECE	<b>Excessive CRC Errors.</b> A 1 indicates the receive framer detected an excessive CRC errored condition. This bit is only valid in the ESF and CEPT with CRC-4 modes; otherwise, it is 0.
4	REBIT	<b>Received E Bit = 0.</b> A 1 indicates the receive framer detected a E bit = 0 in either frame 13 or 15 of the time slot 0 of CRC-4 multiframe. This bit is 0 in the DS1 modes.
5	LCRCATMX	<b>Lack of CRC-4 Multiframe Alignment Timer Expire Indication.</b> A 1 indicates that either the 100 ms or the 400 ms CRC-4 interworking timer expired. Active only immediately after establishment of the initial basic frame alignment. This bit is 0 in the DS1 modes.
6	SLIPO	<b>Receive Elastic Store Slip: Buffer Overflow.</b> A 1 indicates the receive elastic store performed a control slip due to an elastic buffer overflow condition.
7	SLIPU	<b>Receive Elastic Store Slip: Buffer Underflow.</b> A 1 indicates the receive elastic store performed a control slip due to an elastic buffer underflow condition.



**Framer Register Architecture** (continued)

**Table 92. Facility Event Register-2 (FRM\_SR4) (604; C04)**

Bit	Symbol	Description
0	NFA	<b>New Frame Alignment.</b> A 1 indicates the receive framer established a new frame alignment which differs from the previous alignment.
1	SSFA	<b>Signaling Superframe Alignment.</b> A 1 indicates the receive framer has established the signaling superframe alignment. In the SF modes (D4 and <i>SLC-96</i> ) and CEPT modes, this alignment is established only after primary frame alignment is determined.
2	LLBOFF	<b>T1 Line Loopback Off Code Detect.</b> A 1 indicates the receive framer detected the DS1 line loopback disable code in the payload. This code is defined in AT&T Technical Reference 62411 as a framed 001 pattern where the frame bit is inserted into the pattern.
	BFA	<b>New Biframe Alignment Established.</b> A 1 indicates the transmit framer has established a biframe alignment for the transmission of transparent Si and or Sa bits from the system data in the CEPT mode.
3	LLBON	<b>T1 Line Loopback On Code Detect.</b> A 1 indicates the receive framer detected the line loopback enable code in the payload. This code is defined in AT&T Technical Reference 62411 as a framed 00001 pattern where the frame bit is inserted into the pattern.
	CMA	<b>New CEPT CRC-4 Multiframe Alignment.</b> A 1 indicates the CEPT CRC-4 multiframe alignment in the receive framer has been established.
4	FDL-PLBON	<b>ESF FDL Payload Loopback On Code Detect.</b> A 1 indicates the receive framer detected the line loopback enable code in the payload. This code is defined in <i>ANSI/T1.403-1995</i> as a 111111100101000 pattern in the facility data link, where the leftmost bit is the MSB.
	SLCRFSR	<b>SLC-96 Receive FDL Stack Ready.</b> A 1 indicates that the receive FDL stack should be read. This bit is cleared on read. Data in the receive FIFO must be read within 9 ms of this interrupt. This bit is <b>not</b> updated during loss of frame or signaling superframe alignment.
5	FDL-PLBOF	<b>ESF FDL Payload Loopback Off Code Detect.</b> A 1 indicates the receive framer detected the line loopback disable code in the payload. This code is defined in <i>ANSI/T1.403-1995</i> as a 111111101001100 pattern in the facility data link, where the leftmost bit is the MSB.
	SLCTFSR	<b>SLC-96 Transmit FDL Stack Ready.</b> A 1 indicates that the transmit FDL stack is ready for new data. This bit is cleared on read. Data written within 9 ms of this interrupt will be transmitted in the next <i>SLC-96</i> D-bit superframe interval.
6	FDL-LLBON	<b>ESF FDL Line Loopback On Code Detect.</b> A 1 indicates the receive framer detected the line loopback enable code in the payload. This code is defined in <i>ANSI/T1.403-1995</i> as a 111111101110000 pattern in the facility data link, where the leftmost bit is the MSB.
	RSaSR	<b>CEPT Receive Sa Stack Ready.</b> A 1 indicates that the receive Sa6 stack should be read. This bit is clear on the first access to the Sa receive stack or at the beginning of frame 0 of the CRC-4 double-multiframe. Data in the receive FIFO must be read within 4 ms of this interrupt. This bit is <b>not</b> updated during LFA.
7	FDL-LLBOFF	<b>ESF FDL Line Loopback Off Code Detect.</b> A 1 indicates the receive framer detected the line loopback disable code in the payload. This code is defined in <i>ANSI/T1.403-1995</i> as a 111111100011100 pattern in the facility data link, where the leftmost bit is the MSB.
	TSaSR	<b>CEPT Transmit Sa Stack Ready.</b> A 1 indicates that the transmit Sa stack is ready for new data. This bit is cleared on the first access to the Sa transmit stack or at the beginning of frame 0 of the CRC-4 double multiframe. Data written within 4 ms of this interrupt will be transmitted in the next CRC-4 double multiframe interval.

**Framer Register Architecture** (continued)

The following registers are dedicated to the exchange termination and its remote end interface. The alarm conditions to trigger errored seconds and severely errored seconds are defined in Table 44, Event Counters Definition and the ET and ET-RE enable registers, FRM\_PR14 and FRM\_PR15. The thresholds are defined in registers FRM\_PR11—FRM\_PR13.

**Table 93. Exchange Termination and Exchange Termination Remote End Interface Status Register (FRM\_SR5) (605; C05)**

Bit	Symbol	Description
0	ETES	<b>ET Errored Second.</b> A 1 indicates the receive framer detected an errored second at the exchange termination (ET).
1	ETBES	<b>ET Bursty Errored Second.</b> A 1 indicates the receive framer detected a bursty errored second at the ET.
2	ETSES	<b>ET Severely Errored Second.</b> A 1 indicates the receive framer detected a severely errored second at the ET.
3	ETUAS	<b>ET Unavailable State.</b> A 1 indicates the receive framer has detected at least ten consecutive severely errored seconds. Upon detecting ten consecutive nonseverely errored seconds, the receive framer will clear this bit. ITU Recommendation G.826 is used resulting in a ten-second delay in the reporting of this condition.
4	ETREES	<b>ET-RE Errored Second.</b> A 1 indicates the receive framer detected an errored second at the exchange termination remote end (ET-RE).
5	ETREBES	<b>ET-RE Bursty Errored Second.</b> A 1 indicates the receive framer detected a bursty errored second at the ET-RE.
6	ETRESES	<b>ET-RE Severely Errored Second.</b> A 1 indicates the receive framer detected a severely errored second at the ET-RE.
7	ETREUAS	<b>ET-RE Unavailable State.</b> A 1 indicates the receive framer has detected at least ten consecutive severely errored seconds. Upon detecting ten consecutive nonseverely errored seconds, the receive framer will clear this bit. ITU Recommendation G.826 is used resulting in a ten-second delay in the reporting of this condition.

## Framer Register Architecture (continued)

The following status registers are dedicated to the NT1 and the NT1 remote end (NT1-RE) interface. The alarm conditions to evaluate errored seconds and severely errored seconds are defined in Table 44, Event Counters Definition and the NT1 and NT1-RE enable registers, FRM\_PR16—FRM\_PR18. The thresholds are defined in registers FRM\_PR11—FRM\_PR13.

**Table 94. Network Termination and Network Termination Remote End Interface Status Register (FRM\_SR6) (606; C06)**

Bit	Symbol	Description
0	NTES	<b>NT Errored Second.</b> A 1 indicates the receive framer detected an errored second at the network termination (NT).
1	NTBES	<b>NT Bursty Errored Second.</b> A 1 indicates the receive framer detected a bursty errored second at the NT.
2	NTSES	<b>NT Severely Errored Second.</b> A 1 indicates the receive framer detected a severely errored second at the NT.
3	NTUAS	<b>NT Unavailable State.</b> A 1 indicates the receive framer has detected at least ten consecutive severely errored seconds. Upon detecting ten consecutive nonseverely errored seconds, the receive framer will clear this bit. ITU Recommendation G.826 is used resulting in a ten-second delay in the reporting of this condition.
4	NTRRES	<b>NT-RE Errored Second.</b> A 1 indicates the receive framer detected an errored second at the exchange termination remote end (ET-RE).
5	NTRBES	<b>NT-RE Bursty Errored Second.</b> A 1 indicates the receive framer detected a bursty errored second at the ET-RE.
6	NTRSES	<b>NT-RE Severely Errored Second.</b> A 1 indicates the receive framer detected a severely errored second at the NT-RE.
7	NTRUAS	<b>NT-RE Unavailable State.</b> A 1 indicates the receive framer has detected at least ten consecutive severely errored seconds. Upon detecting ten consecutive nonseverely errored seconds, the receive framer will clear this bit. ITU Recommendation G.826 is used resulting in a ten-second delay in the reporting of this condition.

**Framer Register Architecture** (continued)

Bit 0—bit 4 in this register are set high when the receive framer comes out of the unavailable state, while bit 4—bit 7 report detection of the receive test patterns. Bits 4 and 5 are cleared only after register FRM\_PR70 bit 2 is set to 0.

**Table 95. Facility Event Register (FRM\_SR7) (607; C07)**

Bit	Symbol	Description
0	OUAS	<b>Out of Unavailable State.</b> A 1 indicates the receive framer detected ten consecutive seconds that were not severely errored while in the unavailable state at the ET.
1	EROUAS	<b>Out of Unavailable State at the ET-RE.</b> A 1 indicates the receive framer detected ten consecutive seconds that were not severely errored while in the unavailable state at the ET-RE.
2	NT1OUAS	<b>Out of Unavailable State at the NT1.</b> A 1 indicates the receive framer detected ten consecutive seconds that were not severely errored while in the unavailable state at the NT.
3	NROUAS	<b>Out of Unavailable State NT1-RE.</b> A 1 indicates the receive framer detected ten consecutive seconds that were not severely errored while in the unavailable state at the NT-RE.
4	DETECT	<b>Test Pattern Detected.</b> A 1 indicates the pattern detector has locked onto the pattern specified by the PTRN configuration bits defined in register FRM_PR70.
5	PTRNBER	<b>Test Pattern Bit Error.</b> A 1 indicates the pattern detector has found one or more single bit errors in the pattern that it is currently locked onto.
6	RPSUEDO	<b>Receiving Pseudorandom Pattern.</b> A 1 indicates the receive framer pattern monitor circuit is currently detecting the $2^{15} - 1$ pseudorandom pattern*.
7	RQUASI	<b>Receiving Quasi-Random Pattern.</b> A 1 indicates the receive framer pattern monitor circuit is currently detecting the $2^{20} - 1$ quasi-random pattern*.

\* It is possible for one of these bits to be set to 1, if the received line data is all zeros.

**Bipolar Violation Counter Register (FRM\_SR8—FRM\_SR9)**

This register contains the 16-bit count of received bipolar violations, line code violations, or excessive zeros.

**Table 96. Bipolar Violation Counter Registers (FRM\_SR8—FRM\_SR9) ((608—609); (C08—C09))**

Register	Byte	Bit	Symbol	Description
FRM_SR8	MSB	7—0	BPV15—BPV8	<b>BPVs Counter.</b>
FRM_SR9	LSB	7—0	BPV7—BPV0	<b>BPVs Counter.</b>

**Frame Bit Errored Counter Register (FRM\_SR10—FRM\_SR11)**

This register contains the 16-bit count of framing bit errors. Framing bit errors are not counted during loss of frame alignment.

**Table 97. Framing Bit Error Counter Registers (FRM\_SR10—FRM\_SR11) ((60A—60B); (C0A—C0B))**

Register	Byte	Bit	Symbol	Description
FRM_SR10	MSB	7—0	FBE15—FBE8	<b>Frame Bit Errored Counter.</b>
FRM_SR11	LSB	7—0	FBE7—FBE0	<b>Frame Bit Errored Counter.</b>

## Framer Register Architecture (continued)

### CRC Error Counter Register (FRM\_SR12—FRM\_SR13)

This register contains the 16-bit count of CRC errors. CRC errors are not counted during loss of CRC multiframe alignment.

**Table 98. CRC Error Counter Registers (FRM\_SR12—FRM\_SR13) ((60C—60D); (C0C—C0D))**

Register	Byte	Bit	Symbol	Description
FRM_SR12	MSB	7—0	CEC15—CEC8	CRC Errored Counter.
FRM_SR13	LSB	7—0	CEC7—CEC0	CRC Errored Counter.

### E-Bit Counter Register (FRM\_SR14—FRM\_SR15)

This register contains the 16-bit count of received E bit = 0 events. E bits are not counted during loss of CEPT CRC-4 multiframe alignment.

**Table 99. E-Bit Counter Registers (FRM\_SR14—FRM\_SR15) ((60E—60F); (C0E—C0F))**

Register	Byte	Bit	Symbol	Description
FRM_SR14	MSB	7—0	REC15—REC8	E-Bit Counter.
FRM_SR15	LSB	7—0	REC7—REC0	E-Bit Counter.

### CRC-4 Errors at NT1 from NT2 Counter Registers (FRM\_SR16—FRM\_SR17)

This register contains the 16-bit count of each occurrence of Sa6 code 001X, detected synchronously to the CEPT CRC-4 multiframe.

**Table 100. CRC-4 Errors at NT1 from NT2 Counter Registers (FRM\_SR16—FRM\_SR17) ((610—611); (C10—C11))**

Register	Byte	Bit	Symbol	Description
FRM_SR16	MSB	7—0	CNT15—CNT8	CRC-4 Errors at NT1 Counter.
FRM_SR17	LSB	7—0	CNT7—CNT0	CRC-4 Errors at NT1 Counter.

### E Bit at NT1 from NT2 Counter Registers (FRM\_SR18—FRM\_SR19)

This register contains the 16-bit count of each occurrence of Sa6 code 00X1, detected synchronously to the CEPT CRC-4 multiframe. E bits are not counted during loss of CEPT CRC-4 multiframe alignment.

**Table 101. E Bit at NT1 from NT2 Counter (FRM\_SR18—FRM\_SR19) ((612—613); (C12—C13))**

Register	Byte	Bit	Symbol	Description
FRM_SR18	MSB	7—0	ENT15—ENT8	E Bit at NT1 Counter.
FRM_SR19	LSB	7—0	ENT7—ENT0	E Bit at NT1 Counter.

**Framer Register Architecture** (continued)

The following status registers, FRM\_SR20—FRM\_SR51, contain the 16-bit count of errored seconds, bursty errored seconds, severely errored seconds, and unavailable seconds at the ET, ET-RE, NT1, and NT1-RE terminals. DS1 error conditions are reported in the ET errored registers FRM\_SR20—FRM\_SR35.

**Table 102. ET Errored Seconds Counter (FRM\_SR20—FRM\_SR21) ((614—615); (C14—C15))**

Register	Byte	Bit	Symbol	Description
FRM_SR20	MSB	7—0	ETES15—ETES8	<b>ET Errored Seconds Counter.</b>
FRM_SR21	LSB	7—0	ETES7—ETES0	<b>ET Errored Seconds Counter.</b>

**Table 103. ET Bursty Errored Seconds Counter (FRM\_SR22—FRM\_SR23) ((616—617); (C16—C17))**

Register	Byte	Bit	Symbol	Description
FRM_SR22	MSB	7—0	ETBES15—ETBES8	<b>ET Bursty Errored Seconds Counter.</b>
FRM_SR23	LSB	7—0	ETBES7—ETBES0	<b>ET Bursty Errored Seconds Counter.</b>

**Table 104. ET Severely Errored Seconds Counter (FRM\_SR24—FRM\_SR25) ((618—619); (C18—C19))**

Register	Byte	Bit	Symbol	Description
FRM_SR24	MSB	7—0	ETSES15—ETSES8	<b>ET Severely Errored Seconds Counter.</b>
FRM_SR25	LSB	7—0	ETSES7—ETSES0	<b>ET Severely Errored Seconds Counter.</b>

**Table 105. ET Unavailable Seconds Counter (FRM\_SR26—FRM\_SR27) ((61A—61B); (C1A—C1B))**

Register	Byte	Bit	Symbol	Description
FRM_SR26	MSB	7—0	ETUS15—ETUS8	<b>ET Unavailable Seconds Counter Bits.</b>
FRM_SR27	LSB	7—0	ETUS7—ETUS0	<b>ET Unavailable Seconds Counter Bits.</b>

**Table 106. ET-RE Errored Seconds Counter (FRM\_SR28—FRM\_SR29) ((61C—61D); (C1C—C1D))**

Register	Byte	Bit	Symbol	Description
FRM_SR28	MSB	7—0	ETREES15—ETREES8	<b>ET-RE Errored Seconds Counter.</b>
FRM_SR29	LSB	7—0	ETREES7—ETREES0	<b>ET-RE Errored Seconds Counter.</b>

**Table 107. ET-RE Bursty Errored Seconds Counter (FRM\_SR30—FRM\_SR31) ((61E—61F); (C1E—C1F))**

Register	Byte	Bit	Symbol	Description
FRM_SR30	MSB	7—0	ETREBES15—ETREBES8	<b>ET-RE Bursty Errored Seconds Counter.</b>
FRM_SR31	LSB	7—0	ETREBES7—ETREBES0	<b>ET-RE Bursty Errored Seconds Counter.</b>

**Table 108. ET-RE Severely Errored Seconds Counter (FRM\_SR32—FRM\_SR33) ((620—621); (C20—C21))**

Register	Byte	Bit	Symbol	Description
FRM_SR32	MSB	7—0	ETRESES15—ETRESES8	<b>ET-RE Severely Errored Seconds Counter.</b>
FRM_SR33	LSB	7—0	ETRESES7—ETRESES0	<b>ET-RE Severely Errored Seconds Counter.</b>

**Framer Register Architecture** (continued)

**Table 109. ET-RE Unavailable Seconds Counter (FRM\_SR34—FRM\_SR35) ((622—623); (C22—C23))**

Register	Byte	Bit	Symbol	Description
FRM_SR34	MSB	7—0	ETREUS15—ETRESES8	ET-RE Unavailable Seconds Counter.
FRM_SR35	LSB	7—0	ETRESES7—ETRESES0	ET-RE Unavailable Seconds Counter.

**Table 110. NT1 Errored Seconds Counter (FRM\_SR36—FRM\_SR37) ((624—625); (C24—C25))**

Register	Byte	Bit	Symbol	Description
FRM_SR36	MSB	7—0	NTES15—NTES8	NT1 Errored Seconds Counter.
FRM_SR37	LSB	7—0	NTES7—NTES0	NT1 Errored Seconds Counter.

**Table 111. NT1 Bursty Errored Seconds Counter (FRM\_SR38—FRM\_SR39) ((626—627); (C26—C27))**

Register	Byte	Bit	Symbol	Description
FRM_SR38	MSB	7—0	NTBES15—NTBES8	NT1 Bursty Errored Seconds Counter.
FRM_SR39	LSB	7—0	NTBES7—NTBES0	NT1 Bursty Errored Seconds Counter.

**Table 112. NT1 Severely Errored Seconds Counter (FRM\_SR40—FRM\_SR41) ((628—629); (C28—C29))**

Register	Byte	Bit	Symbol	Description
FRM_SR40	MSB	7—0	NTSES15—NTSES8	NT1 Severely Errored Seconds Counter.
FRM_SR41	LSB	7—0	NTSES7—NTSES0	NT1 Severely Errored Seconds Counter.

**Table 113. NT1 Unavailable Seconds Counter (FRM\_SR42—FRM\_SR43) ((62A—62B); (C2A—C2B))**

Register	Byte	Bit	Symbol	Description
FRM_SR42	MSB	7—0	NTUS15—NTUS8	NT1 Unavailable Seconds Counter Bits.
FRM_SR43	LSB	7—0	NTUS7—NTUS0	NT1 Unavailable Seconds Counter Bits.

**Table 114. NT1-RE Errored Seconds Counter (FRM\_SR44—FRM\_SR45) ((62C—62D); (C2C—C2D))**

Register	Byte	Bit	Symbol	Description
FRM_SR44	MSB	7—0	NTRRES15—NTRRES8	NT1-RE Errored Seconds Counter.
FRM_SR45	LSB	7—0	NTRRES7—NTRRES0	NT1-RE Errored Seconds Counter.

**Table 115. NT1-RE Bursty Errored Seconds Counter (FRM\_SR46—FRM\_SR47) ((62E—62F); (C2E—C2F))**

Register	Byte	Bit	Symbol	Description
FRM_SR46	MSB	7—0	NTRBES15—NTRBES8	NT1-RE Bursty Errored Seconds Counter.
FRM_SR47	LSB	7—0	NTRBES7—NTRBES0	NT1-RE Bursty Errored Seconds Counter.

**Framer Register Architecture** (continued)

**Table 116. NT1-RE Severely Errored Seconds Counter (FRM\_SR48—FRM\_SR49) ((630—631); (C30—C31))**

Register	Byte	Bit	Symbol	Description
FRM_SR48	MSB	7—0	NTRESES15—NTRESES8	<b>NT1-RE Severely Errored Seconds Counter.</b>
FRM_SR49	LSB	7—0	NTRESES7—NTRESES0	<b>NT1-RE Severely Errored Seconds Counter.</b>

**Table 117. NT1-RE Unavailable Seconds Counter (FRM\_SR50—FRM\_SR51) ((632—633); (C32—C33))**

Register	Byte	Bit	Symbol	Description
FRM_SR50	MSB	7—0	NTREUS15—NTREUS8	<b>NT1-RE Unavailable Seconds Counter Bits.</b>
FRM_SR51	LSB	7—0	NTREUS7—NTREUS0	<b>NT1-RE Unavailable Seconds Counter Bits.</b>

**Received NOT-FAS TS0 RSa Register (FRM\_SR52)**

This register contains the last (since last read) valid received RSa8—RSa4 bits, A bit, and Si bit of NOT-FAS time slot 0 and the Si bit of FAS time slot 0 while the receive framer was in basic frame alignment.

**Table 118. Receive NOT-FAS TS0 Register (FRM\_SR52) (634; C34)**

Bit 7	Bit 6	Bit 5	Bit 4	Bit 3	Bit 2	Bit 1	Bit 0
NOT-FAS bit 1 (CEPT without CRC-4) or frame 15 E bit (CEPT with CRC-4)	FAS bit 1 (CEPT without CRC-4) or frame 13 E bit (CEPT with CRC-4)	A bit	Sa4	Sa5	Sa6	Sa7	Sa8

**Received Sa Register (FRM\_SR53)**

This register contains the last (since last read) valid time slot 16 spare bits of the frame containing the time slot 16 signaling multiframe alignment. These bits are updated only when the receive framer is in signaling multiframe alignment.

**Table 119. Receive Sa Register (FRM\_SR53) (635; C35)**

Bit 7	Bit 6	Bit 5	Bit 4	Bit 3	Bit 2	Bit 1	Bit 0
0	0	0	0	0	X2	X1	X0



## Framer Register Architecture (continued)

### SLC-96 FDL/CEPT Sa Receive Stack (FRM\_SR54—FRM\_SR63)

In the SLC-96 frame format, FRM\_SR54 through FRM\_SR58 contain the received SLC-96 facility data link data block. When the framer is in a loss of frame alignment or loss of signaling superframe alignment, these registers are **not** updated.

**Note:** The RSP[1:4] are the received spoiler bits.

**Table 120. SLC-96 FDL Receive Stack (FRM\_SR54—FRM\_SR63) ((636—63F); (C36—C3F))**

Register	Bit 7	Bit 6	Bit 5	Bit 4	Bit 3	Bit 2	Bit 1	Bit 0
FRM_SR54	0	0	R-0	R-0	R-0	R-1	R-1	R-1
FRM_SR55	0	0	R-0	R-0	R-0	R-1	R-1	R-1
FRM_SR56	RC1	RC2	RC3	RC4	RC5	RC6	RC7	RC8
FRM_SR57	RC9	RC10	RC11	RSPB1 = 0	RSPB2 = 1	RSPB3 = 0	RM1	RM2
FRM_SR58	RM3	RA1	RA2	RS1	RS2	RS3	RS4	RSPB4 = 1
FRM_SR59— FRM_SR61	0	0	0	0	0	0	0	0

In the CEPT frame format, FRM\_SR54 through FRM\_SR63 contain the received Sa4 through Sa8 from the last valid CRC-4 double-multiframe. In non-CRC-4 mode, these registers are only updated during a basic frame-aligned state. In CRC-4 mode, these registers are only updated during the CRC-4 multiframe alignment state.

**Table 121. CEPT Sa Receive Stack (FRM\_SR54—FRM\_SR63) ((636—63F); (C36—C3F))**

Register	Bit 7	Bit 6	Bit 5	Bit 4	Bit 3	Bit 2	Bit 1	Bit 0
FRM_SR54	Sa4-1	Sa4-3	Sa4-5	Sa4-7	Sa4-9	Sa4-11	Sa4-13	Sa4-15
FRM_SR55	Sa4-17	Sa4-19	Sa4-21	Sa4-23	Sa4-25	Sa4-27	Sa4-29	Sa4-31
FRM_SR56	Sa5-1	Sa5-3	Sa5-5	Sa5-7	Sa5-9	Sa5-11	Sa5-13	Sa5-15
FRM_SR57	Sa5-17	Sa5-19	Sa5-21	Sa5-23	Sa5-25	Sa5-27	Sa5-29	Sa5-31
FRM_SR58	Sa6-1	Sa6-3	Sa6-5	Sa6-7	Sa6-9	Sa6-11	Sa6-13	Sa6-15
FRM_SR59	Sa6-17	Sa6-19	Sa6-21	Sa6-23	Sa6-25	Sa6-27	Sa6-29	Sa6-31
FRM_SR60	Sa7-1	Sa7-3	Sa7-5	Sa7-7	Sa7-9	Sa7-11	Sa7-13	Sa7-15
FRM_SR61	Sa7-17	Sa7-19	Sa7-21	Sa7-23	Sa7-25	Sa7-27	Sa7-29	Sa7-31
FRM_SR62	Sa8-1	Sa8-3	Sa8-5	Sa8-7	Sa8-9	Sa8-11	Sa8-13	Sa8-15
FRM_SR63	Sa8-17	Sa8-19	Sa8-21	Sa8-23	Sa8-25	Sa8-27	Sa8-29	Sa8-31

**Framer Register Architecture** (continued)

The receive framer stores the current second of the **ANSI Performance Report Message** transmitted to the remote end in registers FRM\_SR62 and FRM\_SR63. The structure of the PRM status registers is shown in Table 122.

**Table 122. Transmit Framer ANSI Performance Report Message Status Register Structure**

Transmit Framer PRM Status Bytes	TSPRM B7	TSPRM B6	TSPRM B5	TSPRM B4	TSPRM B3	TSPRM B2	TSPRM B1	TSPRM B0
FRM_SR62	G3	LV	G4	U1	U2	G5	SL	G6
FRM_SR63	FE	SE	LB	G1	R	G2	Nm	NI

**Received Signaling Registers: DS1 Format****Table 123. Received Signaling Registers: DS1 Format (FRM\_RSR0—FRM\_RSR23) ((640—658); (C40—C58))**

Received Signal Registers	Bit 7	Bit 6 <sup>1</sup>	Bit 5	Bit 4	Bit 3	Bit 2	Bit 1	Bit 0
DS1 Received Signaling Registers (0—23)	P	G	F	X	D	C	B	A
Voice Channel with 16-State Signaling	X	0	0	X	D	C	B	A
Voice Channel with 4-State Signaling	X	0	1	X	X	X	B	A
Voice Channel with 2-State Signaling	X	1	1	X	X	X	X	A
Data Channel	X	1	0	X	X	X	X	X

1. Bit 6 and Bit 5 of the DS1 receive signaling registers are copied from bit 6 and bit 5 of the DS1 transmit signaling registers.

**Receive Signaling Registers: CEPT Format****Table 124. Receive Signaling Registers: CEPT Format (FRM\_RSR0—FRM\_RSR31) ((640—65F); (C40—C5F))**

Receive Signal Registers	Bit 7	Bit 6—5	Bit 4 <sup>1</sup>	Bit 3	Bit 2	Bit 1	Bit 0
FRM_RSR1—FRM_RSR15	P	X	E[1:15]	D[1:15]	C[1:15]	B[1:15]	A[1:15]
FRM_RSR[17:31]	P	X	E[17:31]	D[17:31]	C[17:31]	B[17:31]	A[17:31]

1. In PCS0 or PCS1 signaling mode, this bit is undefined.

## Framer Register Architecture (continued)

Registers FRM\_PR0—FRM\_PR70 define the mode configuration of each framer. All are read/write registers. These registers are initially set to a default value upon a hardware reset, which is indicated in the register definition.

### Interrupt Group Enable Registers (FRM\_PR0—FRM\_PR7)

The bits in this register group enable the status registers FRM\_SR0—FRM\_SR7 to assert the interrupt pin. The default value of these registers is 00 (hex).

FRM\_PR0 is the primary interrupt group enable register which enables the event groups in interrupt status register FRM\_SR0. A bit set to 1 in this register enables the corresponding bit in the interrupt status register FRM\_SR0 to assert the interrupt pin.

FRM\_PR1—FRM\_PR7 are the secondary interrupt enable registers. A bit set to 1 in these registers enables the corresponding bit in the status register to assert the interrupt pin.

**Table 125. Summary of Interrupt Group Enable Registers (FRM\_PR0—FRM\_PR7) ((660—667); (C60—C67))**

Parameter /Control Register	Status Register Enabled	Status Register Bit 7	Status Register Bit 6	Status Register Bit 5	Status Register Bit 4	Status Register Bit 3	Status Register Bit 2	Status Register Bit 1	Status Register Bit 0
FRM_PR0	FRM_SR0	S96SR	Reserved	RSSFE	TSSFE	ESE (read FRM_SR5, FRM_SR6, and FRM_SR7)	FAE (read FRM_SR3 and FRM_SR4)	RAC (read FRM_SR2)	FAC (read FRM_SR1)
FRM_PR1	FRM_SR1	AIS	AUXP	RTS16AIS	LBFA	LFALR	LTSFA (LTS0MFA)	LSFA (LTS16MFA)	LFA
FRM_PR2	FRM_SR2	RSa6 = F	RSa6 = E	RSa6 = C	RSa6 = A	RSa6 = 8	CREBIT	RJYA (RTS16MFA)	RFA
FRM_PR3	FRM_SR3	SLIPU	SLIPO	LCRCATMX	REBIT	ECE	CRCE	FBE	LFV
FRM_PR4	FRM_SR4	FDL_LLBOFF (TSaSR)	FDL_LLBN (RSaSR)	FDL_PLBOFF (SLCTFSR)	FDL_PLBN (SLCRFSR)	LLBN (CMA)	LLBOFF (BFA)	SSFA	CFA
FRM_PR5	FRM_SR5	ETREUAS	ETRESES	ETREBES	ETREES	ETUAS	ETSES	ETBES	ETES
FRM_PR6	FRM_SR6	NTREUAS	NTRESES	NTREBES	NTREES	NTUAS	NTSES	NTBES	NTES
FRM_PR7	FRM_SR7	RQUASI	RPSUEDO	PTRNBER	DETECT	NROUAS	NT1OUAS	EROUAS	OUAS

**Framer Register Architecture** (continued)**Primary Interrupt Enable Register (FRM\_PR0)**

The default value of this register is 00 (hex).

**Table 126. Primary Interrupt Group Enable Register (FRM\_PR0) (660; C60)**

Bit	Symbol	Description
0	SR1IE	<b>Status Register 1 Interrupt Enable Bit.</b> A 1 enables register FRM_SR1 event interrupts.
1	SR2IE	<b>Status Register 2 Interrupt Enable Bit.</b> A 1 enables register FRM_SR2 event interrupts.
2	SR34IE	<b>Status Registers 3 and 4 Interrupt Enable Bit.</b> A 1 enables registers FRM_SR3 and FRM_SR4 event interrupts.
3	SR567IE	<b>Status Registers 5, 6, and 7 Interrupt Enable Bit.</b> A 1 enables registers FRM_SR5, FRM_SR6, and FRM_SR7 event interrupts.
4	TSRIE	<b>Transmit Signaling Ready Interrupt Enable Bit.</b> A 1 enables interrupts when transmit signaling buffers are ready (MOS mode).
5	RSRIE	<b>Receive Signaling Ready Interrupt Enable Bit.</b> A 1 enables interrupts when receive signaling buffers are ready (MOS mode).
6	—	<b>Reserved.</b> Write to 0.
7	SLCIE	<b>SLC-96 Interrupt Enable Bit.</b> A 1 enables interrupts when SLC-96 receive or transmit stacks are ready.

## Framer Register Architecture (continued)

### Secondary Interrupt Enable Registers (FRM\_PR1—FRM\_PR7)

A bit set to 1 in registers FRM\_PR1—FRM\_PR7 enables the generation of interrupts whenever the corresponding bit in registers FRM\_SR1—FRM\_SR7 is set. The default value of these registers is 00 (hex).

**Table 127. Interrupt Enable Register (FRM\_PR1) (661; C61)**

Bit	Symbol	Description
0—7	SR1B0IE— SR1B7IE	<b>Status Register 1 Interrupt Enable.</b> A 1 enables events monitored in register FRM_SR1 to generate interrupts. Each bit position in this enable register corresponds to the same bit position in the status register.

**Table 128. Interrupt Enable Register (FRM\_PR2) (662; C62)**

Bit	Symbol	Description
0—7	SR2B0IE— SR2B7IE	<b>Status Register 2 Interrupt Enable.</b> A 1 enables events monitored in register FRM_SR2 to generate interrupts. Each bit position in this enable register corresponds to the same bit position in the status register.

**Table 129. Interrupt Enable Register (FRM\_PR3) (663; C63)**

Bit	Symbol	Description
0—7	SR3B0IE— SR3B7IE	<b>Status Register 3 Interrupt Enable.</b> A 1 enables events monitored in register FRM_SR3 to generate interrupts. Each bit position in this enable register corresponds to the same bit position in the status register.

**Table 130. Interrupt Enable Register (FRM\_PR4) (664; C64)**

Bit	Symbol	Description
0—7	SR4B0IE— SR4B7IE	<b>Status Register 4 Interrupt Enable.</b> A 1 enables events monitored in register FRM_SR4 to generate interrupts. Each bit position in this enable register corresponds to the same bit position in the status register.

**Table 131. Interrupt Enable Register (FRM\_PR5) (665; C65)**

Bit	Symbol	Description
0—7	SR5B0IE— SR5B7IE	<b>Status Register 5 Interrupt Enable.</b> A 1 enables events monitored in register FRM_SR5 to generate interrupts. Each bit position in this enable register corresponds to the same bit position in the status register.

**Table 132. Interrupt Enable Register (FRM\_PR6) (666; C66)**

Bit	Symbol	Description
0—7	SR6B0IE— SR6B7IE	<b>Status Register 6 Interrupt Enable.</b> A 1 enables events monitored in register FRM_SR6 to generate interrupts. Each bit position in this enable register corresponds to the same bit position in the status register.

**Table 133. Interrupt Enable Register (FRM\_PR7) (667; C67)**

Bit	Symbol	Description
0—7	SR7B0IE— SR7B7IE	<b>Status Register 7 Interrupt Enable.</b> A 1 enables events monitored in register FRM_SR7 to generate interrupts. Each bit position in this enable register corresponds to the same bit position in the status register.

**Framer Register Architecture** (continued)**Framer Mode Option Register (FRM\_PR8)**

The default value of this register is C0 (hex).

**Table 134. Framer Mode Bits Decoding (FRM\_PR8) (668; C68)**

FRM_PR8 Frame Format	Bit 7	Bit 6	Bit 5	Bit 4 FMODE4	Bit 3 FMODE3	Bit 2 FMODE2	Bit 1 FMODE1	Bit 0 FMODE0
ESF	X	X	X	0	0	0	0	0
D4	X	X	X	0	0	0	0	1
DDS	X	X	X	0	0	0	1	0
DDS with FDL	X	X	X	0	0	0	1	1
SLC-96	X	X	X	0	0	1	0	0
Transmit ESF Receive D4	X	X	X	1	0	0	0	0
Transmit D4 Receive ESF	X	X	X	1	0	0	0	1
CEPT with No CRC-4	PCS Mode 0	X	X	X	0	1	0	1
	PCS Mode 1	X	X	X	0	1	0	0
CEPT with CRC-4	PCS Mode 0	X	X	X	0	1	1	1
	PCS Mode 1	X	X	X	0	1	1	0

**Table 135. Line Code Option Bits Decoding (FRM\_PR8) (668; C68)**

Line Code Format	Bit 7 LC2	Bit 6 LC1	Bit 5 LC0	Bit 4	Bit 3	Bit 2	Bit 1	Bit 0
B8ZS (T/R)	0	0	0	X	X	X	X	X
ZCS (T/R)	0	0	1	X	X	X	X	X
HDB3 (T/R)	0	1	0	X	X	X	X	X
Single Rail (DEFAULT)	1	1	0	X	X	X	X	X
AMI (T/R)	0	1	1	X	X	X	X	X
B8ZS (T), AMI (R)	1	0	0	X	X	X	X	X
ZCS (T), B8ZS (R)	1	0	1	X	X	X	X	X
AMI (T), B8ZS (R)	1	1	1	X	X	X	X	X

## Framer Register Architecture (continued)

### Framer CRC Control Option Register (FRM\_PR9)

This register defines the CRC options for the framer. The default setting is 00 (hex).

**Table 136. CRC Option Bits Decoding (FRM\_PR9) (669, C69)**

FRM_PR9 CRC Options	Bit 7	Bit 6	Bit 5	Bit 4	Bit 3	Bit 2	Bit 1	Bit 0
Loss of Frame Alignment Due to Excessive CRC Errors (ESF $\geq$ 320, CEPT $\geq$ 915 in a one-second interval)	0	X	X	X	X	X	1	1
CRC-4 with 100 ms Timer	0	X	X	X	X	1	X	1
CRC-4 Interworking Search with 400 ms Timer	0	X	X	X	1	X	X	1
CRC-4 with 990 REB Counter	0	X	X	1	X	X	X	1
CRC-4 with 990 REB Counter: A Bit = 1 Restart	0	X	1	1	X	X	X	1
CRC-4 with 990 REB Counter: Sa6-F or Sa6-E Restart	0	1	X	1	X	X	X	1
XCRC-4/R-NO CRC-4	1	X	X	X	X	X	X	0
X-NOCRC-4/RCRC4	1	X	X	X	X	X	X	1
CRC Default Mode (No CRC)	0	0	0	0	0	0	0	0

### Alarm Filter Register (FRM\_PR10)

The bits in this register enable various control options. The default setting is 00 (hex).

**Table 137. Alarm Filter Register (FRM\_PR10) (66A; C6A)**

Bit	Symbol	Description
0	SSa6M	<b>Synchronous Sa6 Monitoring.</b> A 0 enables the asynchronous monitoring of the Sa6 codes relative to the receive CRC-4 submultiframe. A 1 enables synchronous monitoring of the Sa6 pattern relative to the receive CRC-4 submultiframe.
1	AISM	<b>AIS Detection Mode.</b> A 0 enables the detection of received line AIS as described in ETSI Draft prETS 300 233:1992. A 1 enables the detection of received line AIS as described in ITU Rec. G.775.
2	FEREN	<b>FER Enable.</b> A 0 enables only the detection of F <sub>T</sub> framing bit errors in D4 and SLC-96 modes. A 1 enables the detection of F <sub>T</sub> and F <sub>s</sub> framing bit errors.
3	CNUCLBEN	<b>CNUCLB Enable.</b> A 0 enables payload loopback with regenerated/CRC bits in register FRM_PR24. A 1 enables CEPT nailed-up connect loopback in register FRM_PR24.
4–5	—	<b>Reserved.</b> Set to 0.

**Framer Register Architecture** (continued)

Bit 6 and bit 7 of FRM\_PR10 control the evaluation of the bursty errored parameter as defined in Table 138 below. The EST parameter refers to the errored second threshold defined in register FRM\_PR11. The SEST parameter refers to the severely errored second threshold defined in registers FRM\_PR12 and FRM\_PR13.

**Table 138. Errored Event Threshold Definition**

Bit 7, FRM_PR10 ESM1	Bit 6, FRM_PR10 ESM0	Errored Second (ES) Definition	Bursty Errored Second (BES) Definition	Severely Errored Second (SES) Definition
0	0	Default values in Table 44. Event Counters Definition.		
0	1	ES = 1 when: Errored events > EST	BES = 0	SES = 1 when: Errored events > SEST
Other Combinations		Reserved.		

**Errored Second Threshold Register (FRM\_PR11)**

This register defines the errored event threshold for an errored second (ES). A one-second interval with errors less than the ES threshold value will not be detected as an errored second. Programming 00 (hex) into this register disables the errored second threshold monitor circuitry if register FRM\_PR10 bit 6 = 1 and bit 7 = 0. The default value of this register is 00 (hex).

**Table 139. Errored Second Threshold Register (FRM\_PR11) (66B; C6B)**

Register	Symbol	Description
FRM_PR11	EST7—EST0	ES Threshold Register.

**Severely Errored Second Threshold Register (FRM\_PR12—FRM\_PR13)**

This 16-bit register defines the errored event threshold for a severely errored second (SES). A one-second interval with errors less than the SES threshold value is not a severely errored second. Programming 00 (hex) into these two registers disables the severely errored second threshold monitor circuitry if register FRM\_PR10 bit 6 = 1 and bit 7 = 0. The default value of these registers is 00 (hex).

**Table 140. Severely Errored Second Threshold Registers (FRM\_PR12—FRM\_PR13) ((66C—66D;  
C6C—C6D))**

Register	Symbol	Description
FRM_PR12	SEST15—SEST8	SES MSB Threshold Register.
FRM_PR13	SEST7—SEST0	SES LSB Threshold Register.



## Framer Register Architecture (continued)

### ET1 Errored Event Enable Register\* (FRM\_PR14)

These bits enable the errored events used to determine errored and severely errored seconds at the local ET interface. ETSLIP, ETAIS, ETLMFA, and ETLFA are the SLIP, AIS, LMFA, and LFA errored events, respectively, as referred to the local ET interface. A 1 in the bit position enables the corresponding errored event. The default value of this register is 00 (hex).

**Table 141. ET1 Errored Event Enable Register (FRM\_PR14) (66E; C6E)**

Register	Bit 7	Bit 6	Bit 5	Bit 4	Bit 3	Bit 2	Bit 1	Bit 0
FRM_PR14	0	0	0	0	ETSLIP	ETAIS	ETLMFA	ETLFA

### ET1 Remote End Errored Event Enable Register\* (FRM\_PR15)

These bits enable the errored events used to determine errored and severely errored seconds at the ET's remote end interface. ETRESa6-F, ETRESa6-E, ETRESa6-8, ETRERFA, ETRESLIP, ETREAIS, ETRELMFA, and ETRELFA are the Sa6-F, Sa6-E, Sa6-8, RFA, SLIP, AIS, LMFA, and LFA errored events, respectively, as referred to the ET remote end interface. A 1 in the bit position enables the corresponding errored event. The default value of this register is 00 (hex).

**Table 142. ET1 Remote End Errored Event Enable Register (FRM\_PR15) (66F; C6F)**

Register	Bit 7	Bit 6	Bit 5	Bit 4	Bit 3	Bit 2	Bit 1	Bit 0
FRM_PR15	ETRESa6-F	ETRESa6-E	ETRESa6-8	ETRERFA	ETRESLIP	ETREAIS	ETRELMFA	ETRELFA

### NT1 Errored Event Enable Register\* (FRM\_PR16)

These bits enable the errored events used to determine errored and severely errored seconds at the network termination-1 interface. NTSa6-C, NTSa6-8, NTSLIP, NTAIS, NTLMFA, and NTLFA are the Sa6-C, Sa6-8, SLIP, AIS, LMFA, and LFA errored events, respectively, as referred to the NT1 interface. A 1 in the bit position enables the corresponding errored event. The default value of this register is 00 (hex).

**Table 143. NT1 Errored Event Enable Register (FRM\_PR16) (670; C70)**

Register	Bit 7	Bit 6	Bit 5	Bit 4	Bit 3	Bit 2	Bit 1	Bit 0
FRM_PR16	NTSa6-C	0	NTSa6-8	0	NTSLIP	NTAIS	NTLMFA	NTLFA

### NT1 Remote End Errored Event Enable Register\* (FRM\_PR17—FRM\_PR18)

These bits enable the errored events used to determine errored and severely errored seconds at the network termination-1 remote end interface. NTRERFA, NTRESLIP, NTREAIS, NTRELMFA, NTRELFA, NTRESa6-C, NTRESa6-F, NTRESa6-E, and NTRESa6-8 are the RFA, SLIP, AIS, LMFA, LFA, Sa6-C, Sa6-F, Sa6-E, and Sa6-8 errored events, respectively, as referred to the NT-1 remote end interface. The default value of this register is 00 (hex).

**Table 144. NT1 Remote End Errored Event Enable Registers (FRM\_PR17—FRM\_PR18) ((671—672); (C71—C72))**

Register	Bit 7	Bit 6	Bit 5	Bit 4	Bit 3	Bit 2	Bit 1	Bit 0
FRM_PR17	0	0	0	NTRERFA	NTRESLIP	NTREAIS	NTRELMFA	NTRELFA
FRM_PR18	0	0	0	0	NTRESa6-C	NTRESa6-F	NTRESa6-E	NTRESa6-8

\* One occurrence of any one of these events causes an errored second count increment and a severely errored second count increment.

**Framer Register Architecture** (continued)**Automatic AIS to the System and Automatic Loopback Enable Register**

The default value of this register is 00 (hex).

**Table 145. Automatic AIS to the System and Automatic Loopback Enable Register (FRM\_PR19) (673; C73)**

Bit	Symbol	Description
0	ASAIS	<b>Automatic System AIS.</b> A 1 transmits AIS to the system whenever the receive framer is in the loss of receive frame alignment (RLFA) state.
1	ASAISTMX	<b>Automatic System AIS CEPT CRC-4 Timer Expiration.</b> A 1 transmits AIS to the system after the CRC-4 100 ms or 400 ms timer expires. AIS is transmitted for the duration of the loss of CRC-4 multiframe alignment state.
2	—	<b>Reserved.</b> Set to 0.
3	TSAIS	<b>Transmit System AIS.</b> A 1 transmits AIS to the system.
4	ALLBE	<b>Automatic Line Loopback Enable.</b> A 1 enables the framer section to execute the DS1 line loopback on or off commands without system intervention.
5	—	<b>Reserved.</b> Set to 0.
6	AFDLLBE	<b>Automatic FDL Line Loopback Enable.</b> A 1 enables the framer section to execute a line ESF FDL loopback on or off command without system intervention.
7	AFDPLBE	<b>Automatic FDL Payload Loopback Enable.</b> A 1 enables the framer section to execute a payload ESF FDL loopback on or off command without system intervention.

**Transmit Test Pattern to the Line Enable Register\***

This register enables the transmit framer to transmit various test signals to the line interface. The default value of this register is 00 (hex). Note that between enabling the transmission of line loopback on and off codes this register must be set to 00 (hex) (i.e., to enable transmission of line loopback on code and then off code, write into this register 10 (hex), then 00 (hex), and finally 20 (hex)).

**Table 146. Transmit Test Pattern to the Line Enable Register (FRM\_PR20) (674; C74)**

Bit	Symbol	Description
0	TUFAIS	<b>Unframed AIS to Line Interface (All Ones Pattern).</b>
1	TUFAUXP	<b>Unframed AUXP to Line Interface in CEPT Mode (Alternating 010101 Unframed Pattern).</b>
2	TPRS	<b>Transmit Pseudorandom Signal to Line Interface (<math>2^{15} - 1</math>).</b>
3	TQRS	<b>Transmit Quasi-Random Signal to Line Interface (<math>2^{20} - 1</math>) (ANSI/T1.403).</b>
4	TLLBON	<b>Transmit Framed Payload Line Loopback On Code: 00001.</b>
5	TLLBOFF	<b>Transmit Framed Payload Line Loopback Off Code: 001.</b>
6	TLIC	<b>Transmit Line Idle Code of FRM_PR22.</b> When this bit = 1, the line idle code of FRM_PR22 is transmitted to the line in all time slots.
7	TICRC	<b>Transmit Inverted CRC.</b>

\* To transmit test signals using this register, registers FRM\_PR69 and FRM\_PR70 must be set to 00 (hex).

## Framer Register Architecture (continued)

### Framer FDL Control Command Register (FRM\_PR21)

The default value of this register is 00 (hex).

**Table 147. Framer FDL Control Command Register (FRM\_PR21) (675; C75)**

Bit	Symbol	Description
0	—	<b>Reserved.</b> Must be set to 0.
1	—	<b>Reserved.</b> Must be set to 0.
2	—	<b>Reserved.</b> Must be set to 0.
3	—	<b>Reserved.</b> Must be set to 0.
4	TFDLLAIS	<b>Transmit Facility Data Link AIS to the Line.</b> A 1 sends AIS in the line side data link.
5	TFDLSAIS	<b>Transmit Facility Data Link AIS to the System.</b> A 1 sends AIS in the system data link side.
6	TFDLC	<b>Transmit FDL Control Bit.</b> A 0 enables the transmission of the FDL bit from the internal FDL-HDLC unit (default). A 1 enables the transmission of the FDL bit from either TFDL input (pin 67 and 115) or from the internal transmit stack depending on the state of FRM_PR29 bit 5—bit 7. When the <i>SLC-96</i> stack transmission is enabled (register FRM_PR26 bit 5—bit 7 = x10 (binary), the FDL bit is sourced from the <i>SLC-96</i> transmit stack (register FRM_PR31—FRM_PR35). Otherwise, it is sourced from TFDL (pins 67/115).
7	TC/R = 1	<b>Transmit ESF_PRM C/R = 1 (TC/R = 1).</b> A 0 transmits the ESF performance report message with the C/R bit = 0. (See <i>ANSI/T1.403-1995</i> for the PRM structure and content.) A 1 transmits the ESF performance report message with the C/R bit = 1.

### Framer Transmit Line Idle Code Register (FRM\_PR22)

The value programmed in this register is transmitted as the line idle code. The default value is 7F (hex).

**Table 148. Framer Transmit Line Idle Code Register (FRM\_PR22) (676; C76)**

Bit	Symbol	Description
0—7	TLIC0—TLIC7	<b>Transmit Line Idle Code 0—7.</b> These 8 bits define the idle code transmitted to the line.

### Framer System Stuffed Time-Slot Code Register (FRM\_PR23)

The value programmed in this register is transmitted in the stuffed time slots on the CHI in the DS1 modes. The default value is 7F (hex).

**Table 149. Framer System Stuffed Time-Slot Code Register (FRM\_PR23) (677; C77)**

Bit	Symbol	Description
0—7	SSTSC0—SSTSC7	<b>System Stuffed Time-Slot Code 0—7.</b> These 8 bits define the idle code transmitted in the stuffed time slots to the system (CHI).

**Framer Register Architecture** (continued)**Primary Loopback Mode Control and Time-Slot Address (FRM\_PR24)**

This register contains the loopback mode control and the 5-bit address of the line or system time slot to be looped back. The default value is 00 (hex) (no loopback).

**Table 150. Primary Time-Slot Loopback Address Register (FRM\_PR24) (678; C78)**

Bit	Symbol	Description
0—4	TSLBA0— TSLBA4	<b>Time-Slot Loopback Address.</b>
5—7	LBC0—LBC2	<b>Loopback Control Bits[2:0].</b>

**Table 151. Loopback Decoding of Bits LBC[2:0] in FRM\_PR24, Bits 7—5**

LBC2	LBC1	LBC0	Function
0	0	0	<b>No Loopback.</b>
0	0	1	<b>Line Loopback (LLB).</b> The received line data is looped back to the transmit line data.
0	1	0	<b>Board Loopback (BLB).</b> The received system data is looped back to the transmit system data, and AIS is sent as the line transmit data.
0	1	1	<b>Single Time-Slot System Loopback (STSSLB).</b> System (CHI) loopback of the time slot selected by bit 4—bit 0. Idle code selected by FRM_PR22 is inserted in the line payload in place of the looped back time slot.
1	0	0	<b>Single Time-Slot Line Loopback (STSSLB).</b> Line loopback of time slot selected by bit 4—bit 0. Idle code selected by FRM_PR22 is inserted in the system (CHI) payload in place of the looped back time slot.
1	0	1	<b>CEPT Nailed-Up Broadcast Transmission (CNUBT).</b> Time slot selected by bit 4—bit 0 is transmitted normally and also placed into time slot 0.
1	1	0	<b>Payload Line Loopback with Regenerated Framing and CRC Bits.</b> This mode is selected if FRM_PR10 bit 3 = 0. The received channelized-payload data is looped backed to the line. The framing bits are generated within the transmit framer. The regenerated framing information includes the F-bit pattern, the CRC checksum bit, and the system's facility data link bit stream. This loopback mode can be used with the CEPT framing mode. The entire time slot 0 data (FAS and NOT FAS) is regenerated by the transmit framer. The receive framer processes and monitors the incoming line data normally in this loopback mode and transmits the formatted data to the system in the normal format via the CHI. <b>CEPT Nailed-Up Connect Loopback (CNUCLB).</b> The received system time slot selected by this register bit 4—bit 0 is looped back to the system in time slot 0. This mode is selected if FRM_PR10 bit 3 = 1.
1	1	1	<b>Payload Line Loopback with Passthrough Framing and CRC Bits.</b> The received channelized/payload data, the CRC bits, and the frame alignment bits are looped back to the line. The system's facility data link bit stream is inserted into the looped back data and transmitted to the line. In ESF, the FDL bits are ignored when calculating the CRC-6 checksum. In CEPT, the FDL bits are included when calculating the CRC-4 checksum, and as such, this loopback mode generates CRC-4 errors back at the remote end.

## Framer Register Architecture (continued)

### Secondary Loopback Control and ID and Address (FRM\_PR25)

This register allows for a second single-time-slot loopback mode. This loopback is valid if the secondary time-slot loopback address is different from the primary loopback address and the device is not in a line, board, or payload loopback, see FRM\_PR24. This register contains the secondary loopback mode control and the 5-bit address for the secondary line or system time slot to be looped back to the line or system. The default value is 00 (hex) (no loopback).

**Table 152. Secondary Time-Slot Loopback Address Register (FRM\_PR25) (679; C79)**

Bit	Symbol	Description
0—4	STSLBA0—STSLBA4	<b>Secondary Time-Slot Loopback Address.</b>
5—6	SLBC0—SLBC1	<b>Secondary Loopback Control Bits[1:0].</b>
7	—	<b>Reserved.</b> Write to 0.

**Table 153. Loopback Decoding of Bits LBC[1:0] in FRM\_PR25, Bits 6—5**

LBC1	LBC0	Function
0	0	<b>No Loopback.</b>
0	1	<b>Secondary Single Time-Slot System Loopback.</b>
1	0	<b>Secondary Single Time-Slot Line Loopback.</b>
1	1	<b>Reserved.</b>

**Framer Register Architecture** (continued)**Framer Reset and Transparent Mode Control Register (FRM\_PR26)**

The default value of this register is 00 (hex).

**Table 154. Framer Reset and Transparent Mode Control Register (FRM\_PR26) (67A, C7A)**

Bits	Symbol	Description
0	SWRESET	<b>Framer Software Reset.</b> The framer and FDL sections are placed in the reset state for four clock cycles of the frame internal line clock (RFRMCK). The parameter registers are forced to the default values. This bit is self-cleared.
1	SWRESTART	<b>Framer Software Restart.</b> The framer and FDL sections are placed in the reset state as long as this bit is set to 1. The framer's parameter registers are <b>not</b> changed from their programmed state. The FDL parameter registers are changed from their programmed state. This bit must be cleared.
2	FRFRM	<b>Framer Reframe.</b> A 0-to-1 transition of this bit forces the receive framer into the loss of frame alignment (LFA) state which forces a search of frame alignment. Subsequent reframe commands must have this bit in the 0 state first.
3	TFM1	<b>Transparent Framing Mode 1.</b> A 1 forces the transmit framer to pass system data unmodified to the line and the receive framer to pass line data unmodified to the system. The receive framer is forced <b>not</b> to align to the input receive data.  DS1: register FRM_PR43 bit 2—bit 0 must be set to 000. The F bit is located in time slot 0, bit 7. The transmit framer extracts bit 7 of time slot 0 from RCHIDATA and places this bit in the F-bit position of the transmit line data. The receive framer inserts the bit in the F-bit position of the receive line data into time slot 0, bit 7 of the TCHIDATA.  CEPT: RCHIDATA time slot 0 is inserted into time slot 0 of the transmit line data. Receive line time slot 0 is inserted into time slot 0 of TCHIDATA.
4	TFM2	<b>Transparent Framing Mode 2.</b> A 1 forces the transmit framer to pass system data unmodified to the line. The receive framer functions normally as programmed.  DS1: register FRM_PR43 bit 2—bit 0 must be set to 000. The F bit is located in time slot 0, bit 7. The transmit framer extracts bit 7 of time slot 0 from RCHIDATA and places this bit in the F-bit position of the transmit line data.  CEPT: RCHIDATA time slot 0 is inserted into time slot 0 of the transmit line data.
5	SYSFSM	<b>System Frame Sync Mask.</b> A 1 masks the system frame synchronization signal in the transmit framer section.  <b>Note:</b> The transmit framer must see at least one valid system synchronization pulse to initialize its counts; afterwards, this bit may be set. For those applications that have jitter on the transmit clock signal relative to the system clock signal, enable this bit so that the jitter is isolated from the transmit framer.
6—7	—	<b>Reserved.</b> Write to 0.

**Framer Register Architecture** (continued)

**Automatic and Manual Transmission of the Remote Frame Alarm Control Register (FRM\_PR27)**

The default value of this register is 00 (hex).

**Table 155. Transmission of Remote Frame Alarm and CEPT Automatic Transmission of A Bit = 1 Control Register (FRM\_PR27) (67B, C7B)**

Bit	Symbol	Description
0	ARLFA	<b>Automatic Remote Frame Alarm on LFA (ARLFA).</b> A 1 transmits the remote frame alarm to the line whenever the receive framer detects loss of frame alignment (RLFA).
1	AAB16LMFA	<b>Automatic A Bit on LMFA (CEPT Only).</b> A 1 transmits A = 1 to the line whenever the receive framer detects loss of time slot 16 signaling multiframe alignment (RTS16LMFA).
2	AAB0LMFA	<b>Automatic A Bit on LMFA (CEPT Only).</b> A 1 transmits A = 1 to the line whenever the receive framer detects loss of time slot 0 multiframe alignment (RTS0LMFA).
3	ATMRX	<b>Automatic A Bit on CRC-4 Multiframe Reframer Timer Expiration (CEPT Only).</b> A 1 transmits A = 1 to the line when the receive framer detects the expiration of either the 100 ms or 400 ms timers due to loss of multiframe alignment.
4	AARSa6_8	<b>Automatic A Bit on RSa6_8 (CEPT Only).</b> A 1 transmits A = 1 to the line whenever the receive framer detects the Sa6 = 1000 pattern.
5	AARSa6_C	<b>Automatic A Bit on RSa6_C (CEPT Only).</b> A 1 transmits A = 1 to the line whenever the receive framer detects the Sa6 = 1100 pattern.
6	TJRFA	<b>Transmit D4 Japanese Remote Frame Alarm.</b> A 1 transmits a valid Japanese remote frame alarm for the D4 frame format.
7	TRFA	<b>Transmit Remote Frame Alarm.</b> A 1 transmits a valid remote frame alarm for the corresponding frame format.

**Framer Register Architecture** (continued)**Automatic and Manual Transmission of E Bit = 0 Control Register**

The default value of this register is 00 (hex).

**Table 156. CEPT Automatic Transmission of E Bit = 0 Control Register (FRM\_PR28) (67C; C7C)**

Bit	Symbol	Description
0	SIS	<b>Si-Bit Source.</b> In CEPT with NO CRC-4 mode, a 1 transmits TSiF and TSiNF in the Si bit position to the line in FAS and NOT FAS, respectively. A 0, in non-CRC-4 mode, transmits system Si data to the line transparently*.
	T1E	<b>Transmit One E = 0.</b> In CEPT with CRC-4 mode, a 0 transmits E = TSiF in frame 13 and E = TSiNF in frame 15. A 1 transmits one E bit = 0 for each write access to TSiF = 0 or TSiNF = 0.
1	TSiF	<b>Transmit Bit 1 in FAS.</b> In CEPT with no CRC-4, this bit can be transmitted to the line in bit 1 of the FAS. In CRC-4 mode, this bit is used for E-bit data in frame 13.
2	TSiNF	<b>Transmit Bit 1 in NOT FAS.</b> In CEPT with no CRC-4, this bit can be transmitted to the line in bit 1 of the NOT FAS. In CRC-4 mode, this bit is used for E-bit data in frame 15.
3	ATERCRCE	<b>Automatic Transmit E Bit = 0 for Received CRC-4 Errored Events.</b> A 1 transmits E = 0 to the line whenever the receive framer detects a CRC-4 errored checksum.
4	ATELTS0MFA	<b>Automatic Transmit E Bit = 0 for Received Loss of CRC-4 Multiframe Alignment.</b> A 1 transmits E = 0 to the line whenever the receive framer detects a loss of CRC-4 multiframe alignment condition.
5	ATERTX	<b>Automatic Transmit E Bit = 0 on Expiration of CEPT CRC-4 Loss of Multiframe Timer.</b> A 1 transmits E = 0 to the line whenever the receive framer detects the expiration of either the 100 ms or 400 ms timer due to the loss of CRC-4 multiframe alignment.
6—7	—	<b>These Bits Are Zero.</b>

\* Whenever bits (e.g., Si, Sa, etc.) are transmitted from the system transparently, FRM\_PR29 must first be momentarily written to 001XXXXX (binary). Otherwise, the transmit framer will not be able to locate the biframe alignment.



## Framer Register Architecture (continued)

### Sa4—Sa8 Source Register (FRM\_PR29)

These bits contain the fixed transmit Sa bits and define the source of the Sa bits. The default value of this register is 00 (hex).

**Table 157. Sa4—Sa8 Source Register (FRM\_PR29) (67D; C7D)**

Bit	Symbol	Description
0—4	TSa4—TSa8	Transmit Sa4—Sa8 Bit.
5—7	SaS5—SaS7	Sa Source Control Bits[2:0].

**Table 158. Sa Bits Source Control for Bit 5—Bit 7 in FRM\_PR29**

SaS7	SaS6	SaS5	Function
1	0	0	A single Sa bit, selected in register FRM_PR43, is sourced from either the external transmit facility data input port TFDL (FRM_PR21 bit 6 = 1) or from the internal FDL-HDLC block (FRM_PR21 bit 6 = 0). The remaining Sa bits are sourced by this register bit 0—bit 4 if enabled in register FRM_PR30, or transparently from the system interface*.
1	0	1	A single Sa bit, selected in register FRM_PR43, is sourced from either the external transmit facility data input port TFDL (FRM_PR21 bit 6 = 1) or from the internal FDL-HDLC block (FRM_PR21 bit 6 = 0). The remaining Sa bits are transmitted transparently from the system interface*.
1	1	x	A single Sa bit, selected in register FRM_PR43, is sourced from either the external transmit facility data input port TFDL (FRM_PR21 bit 6 = 1) or from the internal FDL-HDLC block (FRM_PR21 bit 6 = 0). The remaining Sa bits are sourced from the transmit Sa stack registers (FRM_PR31—FRM_PR40) if enabled in register FRM_PR30, or transparently from the system interface*.
0	1	x	<b>SLC-96 Mode.</b> Transmit SLC-96 stack and the SLC-96 interrupts are enabled. The SLC-96 FDL bits are sourced from the transmit SLC-96 stack, registers FRM_PR31—FRM_PR40. <b>CEPT Mode.</b> Transmit Sa stack and the Sa interrupts are enabled. The Sa bits are sourced from the transmit Sa stack (FRM_PR31—FRM_PR40) if enabled in register FRM_PR30, or transparently from the system interface*.
0	0	1	Sa[4:8] bits are transmitted from the system interface transparently through the framer*.
0	0	0	Sa[4:8] bits are sourced by bit 0—bit 4 of this register if enabled in register FRM_PR30, or transparently from the system interface*.

\* Whenever bits (e.g., Si, Sa, etc.) are transmitted from the system transparently, FRM\_PR29 must first be momentarily written to 001XXXXX (binary). Otherwise, the transmit framer will not be able to locate the biframe alignment.

**Framer Register Architecture** (continued)**Sa4—Sa8 Control Register (FRM\_PR30)**

In conjunction with FRM\_PR29 bit 5—bit 7, these bits define the source of the individual Sa4—Sa8 bits. The default value of this register is 00 (hex).

**Table 159. Sa4—Sa8 Control Register (FRM\_PR30) (67E; C7E)**

Bit	Symbol	Description
0—4	TESa4—TESa8	<b>Transparent Enable Sa4—Sa8 Bit Mask.</b> A 1 enables the transmission of the corresponding Sa bits from the Sa source register (FRM_PR29 bit 0—bit 4) or from the transmit Sa stack. A 0 allows the corresponding Sa bit to be transmitted transparently from the system interface.
5—6	—	<b>Reserved.</b> Write to 0.
7	TDNF	<b>Transmit Double NOTFAS System Time Slot.</b> A 0 enables the transmission of the FAS and NOTFAS on the TCHIDATA interface. A 1 enables the NOTFAS to be transmitted twice on the TCHIDATA interface, and the received time slot 0 from the RCHIDATA is assumed to carry NOTFAS data that is repeated twice.

**Sa Transmit Stack Register (FRM\_PR31—FRM\_PR40)**

In CEPT frame format, registers FRM\_PR31—FRM\_PR40 are used to program the Sa bits in the CEPT multiframe NOT-FAS words. If CRC-4 is enabled, this data is transmitted to the line synchronously to the CRC-4 multiframe. The default value of these registers is 00 (hex).

**Table 160. Sa Transmit Stack (FRM\_PR31—FRM\_PR40) ((67F—688); (C7F—C88))**

Register	Bit 7	Bit 6	Bit 5	Bit 4	Bit 3	Bit 2	Bit 1	Bit 0
FRM_PR31	Sa4-1	Sa4-3	Sa4-5	Sa4-7	Sa4-9	Sa4-11	Sa4-13	Sa4-15
FRM_PR32	Sa4-17	Sa4-19	Sa4-21	Sa4-23	Sa4-25	Sa4-27	Sa4-29	Sa4-31
FRM_PR33	Sa5-1	Sa5-3	Sa5-5	Sa5-7	Sa5-9	Sa5-11	Sa5-13	Sa5-15
FRM_PR34	Sa5-17	Sa5-19	Sa5-21	Sa5-23	Sa5-25	Sa5-27	Sa5-29	Sa5-31
FRM_PR35	Sa6-1	Sa6-3	Sa6-5	Sa6-7	Sa6-9	Sa6-11	Sa6-13	Sa6-15
FRM_PR36	Sa6-17	Sa6-19	Sa6-21	Sa6-23	Sa6-25	Sa6-27	Sa6-29	Sa6-31
FRM_PR37	Sa7-1	Sa7-3	Sa7-5	Sa7-7	Sa7-9	Sa7-11	Sa7-13	Sa7-15
FRM_PR38	Sa7-17	Sa7-19	Sa7-21	Sa7-23	Sa7-25	Sa7-27	Sa7-29	Sa7-31
FRM_PR39	Sa8-1	Sa8-3	Sa8-5	Sa8-7	Sa8-9	Sa8-11	Sa8-13	Sa8-15
FRM_PR40	Sa8-17	Sa8-19	Sa8-21	Sa8-23	Sa8-25	Sa8-27	Sa8-29	Sa8-31

## Register Architecture (continued)

### SLC-96 Transmit Stack (FRM\_PR31—FRM\_PR40)

In SLC-96 frame format, registers FRM\_PR31—FRM\_PR35 are used to source the transmit facility data link bits in the Fs bit positions. The default value of these registers is 00 (hex).

**Table 161. SLC-96 Transmit Stack (FRM\_PR31—FRM\_PR40) ((67F—688); (C7F—C88))**

Register	Bit 7	Bit 6	Bit 5	Bit 4	Bit 3	Bit 2	Bit 1	Bit 0
FRM_PR31	0	0	X-0	X-0	X-0	X-1	X-1	X-1
FRM_PR32	0	0	X-0	X-0	X-0	X-1	X-1	X-1
FRM_PR33	XC1	XC2	XC3	XC4	XC5	XC6	XC7	XC8
FRM_PR34	XC9	XC10	XC11	XSPB1 = 0	XSPB2 = 1	XSPB3 = 0	XM1	XM2
FRM_PR35	XM3	XA1	XA2	XS1	XS2	XS3	XS4	XSPB4 = 1
FRM_PR36— FRM_PR40	0	0	0	0	0	0	0	0

In SLC-96 frame format, the bits in registers FRM\_PR31—FRM\_PR35 are transmitted using the format shown in Table 164.

**Table 162. Transmit SLC-96 FDL Format**

FS =	000111000111	XC1	XC2	XC3	XC4	XC5	XC6	XC7	XC8	XC9	XC10	XC11	XSPB1	XSPB2	XSPB3	XM1	XM2	XM3	XA1	XA2	XS1	XS2	XS3	XS4	XSPB4
------	--------------	-----	-----	-----	-----	-----	-----	-----	-----	-----	------	------	-------	-------	-------	-----	-----	-----	-----	-----	-----	-----	-----	-----	-------

### CEPT Time Slot 16 X-Bit Remote Multiframe Alarm and AIS Control Register (FRM\_PR41)

The default value of this register is 00 (hex).

**Table 163. CEPT Time Slot 16 X-Bit Remote Multiframe Alarm and AIS Control Register (FRM\_PR41) (689; C89)**

Bit	Symbol	Description
0—2	TTS16X0—TTS16X2	<b>Transmit Time Slot 16 X0—X2 Bits.</b> The content of these bits are written into CEPT signaling multiframe time slot 16 X bits.
3	XS	<b>X-Bit Source.</b> A 1 enables the TTS16X[2:0] bits to be written into CEPT time slot 16 signaling multiframe frame. A 0 transmits the X bits transparently.
4	ALTTS16RMFA	<b>Automatic Line Transmit Time Slot 16 Remote Multiframe Alarm.</b> A 1 enables the transmission of CEPT time slot 16 signaling remote multiframe alarm when the receive framer is in the loss of CEPT signaling (RTS16LMFA) state.
5	TLTS16RMFA	<b>Transmit Line Time Slot 16 Remote Multiframe Alarm.</b> A 1 enables the transmission of CEPT time slot 16 signaling remote multiframe alarm.
6	TLTS16AIS	<b>Transmit Line Time Slot 16 AIS.</b> A 1 enables the transmission of CEPT time slot 16 alarm indication signal.
7	—	<b>Reserved.</b> Write to 0.

**Framer Register Architecture** (continued)**Framer Exercise Register (FRM\_PR42)**

This register is used for exercising the device in a test mode. In normal operation, it and should be set to 00 (hex). The default value of this register is 00 (hex).

**Table 164. Framer Exercise Register (FRM\_PR42) (68A; C8A)**

Bit		Description
FEX0—FEX5		Framer Exercise Bits 0—5 (FEX0—FEX5). See Table 167.
FEX6	FEX7	Second Pulse Interval.
0	0	1 Second Pulse.
0	1	500 ms Pulse.
1	0	100 ms Pulse.
1	1	Reserved.

**Table 165. Framer Exercises, FRM\_PR42 Bit 5—Bit 0 (68A; C8A)**

Exercise Type	FEX5	FEX4	FEX3	FEX2	FEX1	FEX0	Exercise	Framing Format
Facility Status	0	0	1	0	0	0	Line format violation	All
							CRC checksum error	ESF or CEPT
							Receive remote frame alarm	D4 or ESF
	0	0	1	0	0	1	Alarm indication signal detection	All
							Loss of frame alignment	CEPT
							Receive remote frame alarm	Japanese D4
	0	0	1	0	1	0	Time slot 0 1-bit shift	CEPT
							Transmit corrupt CRC	ESF & CEPT
	0	0	1	0	1	1	Frame-bit error & loss of frame alignment	All
							Loss of time slot 16 multiframe alignment	CEPT
							Remote frame alarm	D4 & DDS
							CRC bit errors	ESF & CEPT
	0	0	1	1	0	0	Frame-bit errors	All
	0	0	1	1	0	1	Frame-bit errors & loss of frame alignment	All
							Loss of time slot 16 multiframe alignment	CEPT
	0	0	1	1	1	0	Frame-bit error & loss of frame alignment	All
							Change of frame alignment	ESF, DDS & CEPT
							Loss of time slot 16 multiframe alignment	CEPT
0	0	1	1	1	1	Excessive CRC checksum errors	ESF & CEPT	
0	0	0	0	0	0	No test mode activated		

**Framer Register Architecture** (continued)

**Table 165. Framer Exercises, FRM\_PR42 Bit 5—Bit 0 (68A; C8A)** (continued)

Exercise Type	FEX5	FEX4	FEX3	FEX2	FEX1	FEX0	Exercise	Framing Format
Performance Status	0	1	0	0	0	0	Errored second	All
	0	1	0	0	0	1	Bursty errored second	
	0	1	0	0	1	0	Severely errored second	
	0	1	0	0	1	1	Severely errored second count	
	0	1	0	1	0	0	Unavailable state	
	0	1	0	1	0	1	Factory test	
	0	1	0	1	1	0	Increment status counters SR6—SR14	
0	1	0	1	1	1	Increment status counters SR6—SR14		
Status Counters	1	0	0	0	0	1	CRC error counter	All
	1	0	0	0	1	0	Errored event counter	
	1	0	X	0	1	1	Errored second counter	
	1	0	0	1	0	0	Severely errored second counter	
	1	0	0	1	0	1	Unavailable second counter	
	1	0	0	1	1	0	Line format violation counter	
	1	0	0	1	1	1	Frame bit error counter	
—	All other combinations						Reserved	—

**DS1 System Interface Control and CEPT FDL Source Control Register (FRM\_PR43)**

The default value of this register is 00 (hex).

**Table 166. DS1 System Interface Control and CEPT FDL Source Control Register (FRM\_PR43) (68B; C8B)**

Bit	Symbol	Description
0—2	STS0—STS2	In DS1 mode, bit 0—bit 2 program the positions of the stuffed time slots on the CHI. The content of the stuffed time slot can be programmed using register FRM_PR23. Bits 210 000 = SDDDSDDDSDDDSDDDSDDDSDDDSDDDSDDDSDD 001 = DSDDDSDDDSDDDSDDDSDDDSDDDSDDDSDDDS 010 = DDSDDDSDDDSDDDSDDDSDDDSDDDSDDDSDDSD 011 = DDDSDDDSDDDSDDDSDDDSDDDSDDDSDDDSD 100 = DDDDDDDDDDDDDDDDDDDDDDDDDDDSSSSSSSS
	SaFDL0—SaFDL2	In CEPT mode, bit 0—bit 2 program the Sa bit source of the facility data link. Bits 210 000: Sa4 = FDL 001: Sa5 = FDL 010: Sa6 = FDL 011: Sa7 = FDL 100: Sa8 = FDL In both DS1 and CEPT modes, only the bit values shown above may be selected.
3	SSC	<b>SLC-96 Signaling Control (DS1 Only).</b> A 1 enables the SLC-96 9-state signaling mode. A 0 enables 16-state signaling in the SLC-96 framing mode.
4—7	—	<b>Reserved.</b> Write to 0.

**Framer Register Architecture** (continued)**Signaling Mode Register (FRM\_PR44)**

This register programs various signaling modes. The default value is 00 (hex).

**Table 167. Signaling Mode Register (FRM\_PR44) (68C; C8C)**

Bit	Symbol	Description
0	TSIG	<b>Transparent Signaling.</b> A 0 enables signaling information to be inserted into and extracted from the data stream. The signaling source is either the signaling registers or the system data (in the associated signaling mode). In DS1 modes, the choice of data or voice channels assignment for each channel is a function of the programming of the F and G bits in the transmit signaling registers. A 1 enables data to pass through the device transparently. All channels are treated as data channels.
1	STOMP	<b>Stomp Mode.</b> A 0 allows the received signaling bits to pass through the receive signaling circuit unmodified. In DS1 robbed-bit signaling modes, a 1 enables the receive signaling circuit to replace (in those time slots programmed for signaling) all signaling bits (in the receive line bit stream) with a 1, after extracting the valid signaling information. In CEPT time slot 16 signaling modes, a 1 enables the received signaling circuit substitute of the signaling combination of ABCD = 0000 to ABCD = 1111.
2	ASM	<b>Associated Signaling Mode.</b> A 1 enables the associate signaling mode which configures the CHI to carry both data and its associated signaling information. Enabling this mode must be in conjunction with the programming of the CHI data rate to 4.096 Mbits/s or 8.192 Mbit/s. Each channel consists of 16 bits where 8 bits are data and the remaining 8 bits are signaling information.
3	RSI	<b>Receive Signaling Inhibit.</b> A 1 inhibits updating of the receive signaling buffer.
4	MOS	<b>Message-Oriented Signaling.</b> DS1: A 1 enables the channel 24 message-oriented signaling mode.
5	TSR-ASM	<b>TSR-ASM Mode (DS1 Only).</b> In the DS1 mode, setting this bit and FRM_PR44 bit 2 (ASM) to 1 enables the transmit signaling register F and G bits to define the robbed-bit signaling format while the ABCD bit information is extracted from the CHI interface. The F and G bits are copied to the receive signaling block and are used to extract the signaling information from the receive line.
6	ASTSAIS	<b>Automatic System Transmit Signaling AIS (CEPT Only).</b> A 1 transmits AIS in system time slot 16 during receive loss of time slot 16 signaling multiframe alignment state.
7	TCSS	<b>Transmit CEPT System Signaling Squelch (CEPT Only).</b> AIS is transmitted in time slot 16 of the transmit system data.

## Framer Register Architecture (continued)

### CHI Common Control Register (FRM\_PR45)

These bits define the common attributes of the CHI for TCHIDATA, TCHIDATAB, RCHIDATA, and RCHIDATAB. The default value of this register is 00 (hex).

**Table 168. CHI Common Control Register (FRM\_PR45) (68D; C8D)**

Bit	Symbol	Description												
0	HFLF	<b>High-Frequency/Low-Frequency PLLCK Clock Mode.</b> A 0 enables the low-frequency PLLCK mode for the divide down circuit in the internal phase-lock loop section (DS1 PLLCK = 1.544 MHz; CEPT PLLCK = 2.048 MHz). The divide down circuit will produce an 8 kHz signal on DIV-PLLCK, pin 6 and pin 32. A 1 enables the high-frequency PLLCK mode for the divide down circuit in the internal phase-lock loop section (DS1: PLLCK = 6.176 (4 x 1.544) MHz; CEPT: 8.192 (4 x 2.048) MHz). The divide down circuit will produce a 32 kHz signal on DIV-PLLCK.												
1	CMS	<b>Concentration Highway Clock Mode.</b> A 0 enables the CHI clock frequency and CHI data rate to be equal. Function for CMS = 1 is reserved. This control bit affects both the transmit and receive interfaces.												
2—3	CDRS0— CDRS1	<b>Concentration Highway Interface Data Rate Select.</b> <table border="1" style="margin-left: auto; margin-right: auto;"> <thead> <tr> <th>Bits</th> <th>CHI Data Rate</th> </tr> </thead> <tbody> <tr> <td>2 3</td> <td></td> </tr> <tr> <td>0 0</td> <td>2.048 Mbits/s</td> </tr> <tr> <td>0 1</td> <td>4.096 Mbits/s</td> </tr> <tr> <td>1 0</td> <td>8.192 Mbits/s</td> </tr> <tr> <td>1 1</td> <td>Reserved</td> </tr> </tbody> </table>	Bits	CHI Data Rate	2 3		0 0	2.048 Mbits/s	0 1	4.096 Mbits/s	1 0	8.192 Mbits/s	1 1	Reserved
Bits	CHI Data Rate													
2 3														
0 0	2.048 Mbits/s													
0 1	4.096 Mbits/s													
1 0	8.192 Mbits/s													
1 1	Reserved													
4	CHIMM	<b>Concentration Highway Master Mode.</b> A 0 enables external system's frame synchronization signal (TCHIFS) to drive the transmit path of the framer's concentration highway interface. A 1 enables the framer's transmit concentration interface to generate a system frame synchronization signal derived from the receive line interface. The framer's system frame synchronization signal is generated on the TCHIFS output pin. Applications using the receive line clock as the reference clock signal of the system are recommended to enable this mode and use the TCHIFS signal generated by the framer. The receive CHI path is not affected by this mode.												
5—6	—	<b>Reserved.</b> Write to 0.												
7	HWYEN	<b>Highway Enable.</b> A 1 in this bit position enables transmission to the concentration highway. This allows the T7630 to be fully configured before transmission to the highway. A 0 forces the idle code as defined in register FRM_PR22 to be transmitted to the line in all payload time slots and the transmit CHI pin is forced to a high-impedance state for all CHI transmitted time slots.												

**Framer Register Architecture** (continued)**CHI Common Control Register (FRM\_PR46)**

This register defines the common attributes of the transmit and receive CHI. The default value is 00 (hex).

**Table 169. CHI Common Control Register (FRM\_PR46) (68E; C8E)**

Bit	Symbol	Description
0—2	TOFF0— TOFF2	<b>Transmit CHI Bit Offset.</b> These 3 bits define the bit offset from TCHIFS for each transmit time slot. The offset is the number of TCHICK clock periods by which the first bit is delayed from TCHIFS.
3	TFE	<b>Transmit Frame Clock Edge.</b> A 0 (1) enables the falling (rising) edge of TCHICK to latch in the frame synchronization signal, TCHIFS.
4—6	ROFF0— ROFF2	<b>Receive CHI Bit Offset.</b> These 3 bits define the bit offset from RCHIFS for each received time slot. The offset is the number of RCHICK clock periods by which the first bit is delayed from RCHIFS.
7	RFE	<b>Received Frame Clock Edge.</b> A 0 (1) enables the falling (rising) edge of RCHICK to latch in the frame synchronization signal, RCHIFS.

**CHI Transmit Control Register (FRM\_PR47)**

The default value of this register is 00 (hex).

**Table 170. CHI Transmit Control Register (FRM\_PR47) (68F; C8F)**

Bit	Symbol	Description
0—5	TBYOFF0— TBYOFF5	<b>Transmit Byte Offset.</b> Combined with FRM_PR65 bit 0 (TBYOFF6), these 6 bits define the byte offset from TCHIFS to the beginning of the next transmit CHI frame on TCHIDATA.
6	TCE	<b>Transmitter Clock Edge.</b> A 1 (0) enables the rising (falling) edge of TCHICK to clock out data on TCHIDATA.
7	—	<b>Reserved.</b> Write to 0.

**CHI Receive Control Register (FRM\_PR48)**

The default value of this register is 00 (hex).

**Table 171. CHI Receive Control Register (FRM\_PR48) (690; C90)**

Bit	Symbol	Description
0—5	RBYOFF0— RBYOFF5	<b>Receiver Byte Offset.</b> Combined with FRM_PR66 bit 0 (RBYOFF6), these 6 bits define the byte offset from RCHIFS to the beginning of the next receive CHI frame on RCHIDATA.
6	RCE	<b>Receiver Clock Edge.</b> A 1 (0) enables the rising (falling) edge of RCHICK to latch data on RCHIDATA.
7	—	<b>Reserved.</b> Write to 0.



## Framer Register Architecture (continued)

### CHI Transmit Time-Slot Enable Registers (FRM\_PR49—FRM\_PR52)

These four registers define which transmit CHI time slots are enabled. A 1 enables the TCHIDATA or TCHIDATAB time slot. A 0 forces the CHI transmit highway time slot to be 3-stated. The default value of this register is 00 (hex).

**Table 172. CHI Transmit Time-Slot Enable Registers (FRM\_PR49—FRM\_PR52) ((691—694); (C91—C94))**

Register	Bit	Symbol	Description
FRM_PR49	7—0	TTSE31—TTSE24	Transmit Time-Slot Enable Bits 31—24.
FRM_PR50	7—0	TTSE23—TTSE16	Transmit Time-Slot Enable Bits 23—16.
FRM_PR51	7—0	TTSE15—TTSE8	Transmit Time-Slot Enable Bits 15—8.
FRM_PR52	7—0	TTSE7—TTSE0	Transmit Time-Slot Enable Bits 7—0.

### CHI Receive Time-Slot Enable Registers (FRM\_PR53—FRM\_PR56)

These four registers define which receive CHI time slots are enabled. A 1 enables the RCHIDATA or RCHIDATAB time slots. A 0 disables the time slot and transmits the programmable idle code of register FRM\_PR22 to the line in the corresponding time slot. The default value of this register is FF (hex).

**Table 173. CHI Receive Time-Slot Enable Registers (FRM\_PR53—FRM\_PR56) ((695—698); (C95—C98))**

Register	Bit	Symbol	Description
FRM_PR53	7—0	RTSE31—RTSE24	Receive Time-Slot Enable Bits 31—24.
FRM_PR54	7—0	RTSE23—RTSE16	Receive Time-Slot Enable Bits 23—16.
FRM_PR55	7—0	RTSE15—RTSE8	Receive Time-Slot Enable Bits 15—8.
FRM_PR56	7—0	RTSE7—RTSE0	Receive Time-Slot Enable Bits 7—0.

### CHI Transmit Highway Select Registers (FRM\_PR57—FRM\_PR60)

These four registers define which transmit CHI highway TCHIDATA or TCHIDATAB contains valid data for the active time slot. A 0 enables TCHIDATA, and a 1 enables TCHIDATAB. The default value of this register is 00 (hex).

**Table 174. CHI Transmit Highway Select Registers (FRM\_PR57—FRM\_PR60) ((699—69C); (C99—C9C))**

Register	Bit	Symbol	Description
FRM_PR57	7—0	THS31—THS24	Transmit Highway Select Bits 31—24.
FRM_PR58	7—0	THS23—THS16	Transmit Highway Select Bits 23—16.
FRM_PR59	7—0	THS15—THS8	Transmit Highway Select Bits 15—8.
FRM_PR60	7—0	THS7—THS0	Transmit Highway Select Bits 7—0.

**Framer Register Architecture** (continued)**CHI Receive Highway Select Registers (FRM\_PR61—FRM\_PR64)**

These four registers define which receive CHI highway RCHIDATA or RCHIDATAB contains valid data for the active time slot. A 0 enables RCHIDATA, and a 1 enables RCHIDATAB. The default value of these registers is 00 (hex).

**Table 175. CHI Receive Highway Select Registers (FRM\_PR61—FRM\_PR64) ((69D—6A0); (C9D—CA0))**

Register	Bit	Symbol	Description
FRM_PR61	7—0	RHS31—RHS24	Receive Highway Select Bits 31—24.
FRM_PR62	7—0	RHS23—RHS16	Receive Highway Select Bits 23—16.
FRM_PR63	7—0	RHS15—RHS8	Receive Highway Select Bits 15—8.
FRM_PR64	7—0	RHS7—RHS0	Receive Highway Select Bits 7—0.

**CHI Transmit Control Register (FRM\_PR65)**

The default value of this register is 00 (hex).

**Table 176. CHI Transmit Control Register (FRM\_PR65) (6A1; CA1)**

Bit	Symbol	Description
0	TBYOFF6	<b>Transmit CHI 64-Byte Offset.</b> A 1 enables a 64-byte offset from TCHIFS to the beginning of the next transmit CHI frame on TCHIDATA. A 0 enables a 0-byte offset (if bit 0—bit 5 of FRM_PR47 = 0). Combing bit 0—bit 5 of FRM_PR47 with this bit allows programming the byte offset from 0—127.
1	TCHIDTS	<b>Transmit CHI Double Time-Slot Mode.</b> A 1 enables the transmit CHI double time-slot mode. In this mode, the TCHI clock runs at twice the rate of TCHIDATA.
2—7	—	<b>Reserved.</b> Write to 0.

**CHI Receive Control Register (FRM\_PR66)**

The default value of this register is 00 (hex).

**Table 177. CHI Receive Control Register (FRM\_PR66) (6A2; CA2)**

Bit	Symbol	Description
0	RBYOFF6	<b>Receive CHI 64-Byte Offset.</b> A 1 enables a 64-byte offset from RCHIFS to the beginning of the next receive CHI frame on RCHIDATA. A 0 enables a 0-byte offset (if bit 0—bit 5 of FRM_PR48 = 0). Combing bit 0—bit 5 of FRM_PR48 with this bit allows programming the byte offset from 0—127.
1	RCHIDTS	<b>Receive CHI Double Time-Slot Mode.</b> A 1 enables the transmit CHI double time-slot mode. In this mode, the RCHI clock runs at twice the rate of RCHIDATA.
2—7	—	<b>Reserved.</b> Write to 0.

**Reserved Parameter/Control Registers**

Registers FRM\_PR67 and FRM\_PR68, addresses 6A3 and 6A4 or CA3 and CA4, are reserved. Write these registers to 0.

**Framer Register Architecture** (continued)

**Auxiliary Pattern Generator Control Register (FRM\_PR69)**

The following register programs the auxiliary pattern generator in the transmit framer. The default value of this register is 00 (hex).

**Table 178. Auxiliary Pattern Generator Control Register (FRM\_PR69) (6A5; CA5)\***

Bit	Symbol	Description			
0	ITD	<b>Invert Transmit Data.</b> Setting this bit to 1 inverts the transmitted pattern.			
1	TPEI	<b>Test Pattern Error Insertion.</b> Toggling this bit from a 0 to a 1 inserts a single bit error in the transmitted test pattern.			
2	GBLKSEL	<b>Generator Block Select.</b> Setting this bit to 1 enables the generation of test patterns in this register.			
3	GFRMSEL	<b>Generator Frame Test Pattern.</b> Setting this bit to 1 results in the generation of an unframed pattern. A 0 results in a framed pattern (T1 and CEPT).			
4— 7	GPTRN0— GPTRN3	<b>Generator Pattern Select.</b> These 4 bits select which random pattern is to be transmitted.			
		<b>Bits</b>	<b>Description</b>	<b>Generator Polynomial</b>	<b>Standard</b>
		<b>7 6 5 4</b>			
		0 0 0 0	MARK (all ones) (AIS)	—	—
		0 0 0 1	QRSS ( $2^{20} - 1$ with zero suppression)	$1+x^{-17}+x^{-20}$	O.151
		0 0 1 0	$2^5 - 1$	$1+x^{-3}+x^{-5}$	—
		0 0 1 1	63 ( $2^6 - 1$ )	$1+x^{-1}+x^{-6}$	—
		0 1 0 0	511 ( $2^9 - 1$ )	$1+x^{-5}+x^{-9}$	O.153
		0 1 0 1	511 ( $2^9 - 1$ ) reversed	$1+x^{-4}+x^{-9}$	—
		0 1 1 0	2047 ( $2^{11} - 1$ )	$1+x^{-9}+x^{-11}$	O.152
		0 1 1 1	2047 ( $2^{11} - 1$ ) reversed	$1+x^{-2}+x^{-11}$	—
		1 0 0 0	$2^{15} - 1$	$1+x^{-14}+x^{-15}$	O.151
		1 0 0 1	$2^{20} - 1$	$1+x^{-3}+x^{-20}$	O.153
		1 0 1 0	$2^{20} - 1$	$1+x^{-17}+x^{-20}$	CB113/CB114
		1 0 1 1	$2^{23} - 1$	$1+x^{-18}+x^{-23}$	O.151
		1 1 0 0	1:1 (alternating)	—	—

\* To generate test pattern signals using this register, register FRM\_PR20 must be set to 00 (hex).

**Framer Register Architecture** (continued)

**Pattern Detector Control Register (FRM\_PR70)**

The following register programs the pattern detector in the receive framer. The default value of this register is 00 (hex).

**Table 179. Pattern Detector Control Register (FRM\_PR70) (6A6; CA6)\***

Bit	Symbol	Description			
0	IRD	<b>Invert Receive Data.</b> Setting this bit to 1 enables the pattern detector to detect the inverse of the selected pattern.			
1	—	<b>Reserved.</b> Write to 0.			
2	DBLKSEL	<b>Detector Block Select.</b> Setting this bit to 1 enables the detection of test patterns in this register.			
3	DUFTP	<b>Detect Unframed Test Pattern.</b> Setting this bit to 1 results in the search for an unframed pattern. A 0 results in a search for a framed pattern (T1 and CEPT).			
4— 7	DPTRN0— DPTRN3	<b>Detector Pattern Select.</b> These 4 bits select which random pattern is to be transmitted.			
		<b>Bits</b>	<b>Description</b>	<b>Generator Polynomial</b>	<b>Standard</b>
		<b>7 6 5 4</b>			
		0 0 0 0	MARK (all ones) (AIS)	—	—
		0 0 0 1	QRSS ( $2^{20} - 1$ with zero suppression)	$1+x^{-17}+x^{-20}$	O.151
		0 0 1 0	$2^5 - 1$	$1+x^{-3}+x^{-5}$	—
		0 0 1 1	$63 (2^6 - 1)$	$1+x^{-1}+x^{-6}$	—
		0 1 0 0	$511 (2^9 - 1)$	$1+x^{-5}+x^{-9}$	O.153
		0 1 0 1	$511 (2^9 - 1)$ reversed	$1+x^{-4}+x^{-9}$	—
		0 1 1 0	$2047 (2^{11} - 1)$	$1+x^{-9}+x^{-11}$	O.152
		0 1 1 1	$2047 (2^{11} - 1)$ reversed	$1+x^{-2}+x^{-11}$	—
		1 0 0 0	$2^{15} - 1$	$1+x^{-14}+x^{-15}$	O.151
		1 0 0 1	$2^{20} - 1$	$1+x^{-3}+x^{-20}$	O.153
		1 0 1 0	$2^{20} - 1$	$1+x^{-17}+x^{-20}$	CB113/CB114
		1 0 1 1	$2^{23} - 1$	$1+x^{-18}+x^{-23}$	O.151
		1 1 0 0	1:1 (alternating)	—	—

\* To generate/detect test pattern signals using this register, register FRM\_PR20 must be set to 00 (hex).

## Framer Register Architecture (continued)

### Transmit Signaling Registers: DS1 Format (FRM\_TSR0—FRM\_TSR23)

These registers program the transmit signaling registers for the DS1 and CEPT mode. The default value of these registers is 00 (hex).

**Table 180. Transmit Signaling Registers: DS1 Format (FRM\_TSR0—FRM\_TSR23) ((6E0—6F7); (CE0—CF7))**

Transmit Signal Registers	Bit 7	Bit 6	Bit 5	Bit 4	Bit 3	Bit 2	Bit 1	Bit 0
DS1 Transmit Signaling Registers (0—23)	P	G	F	X	D	C	B	A
ESF Format: Voice Channel with 16-State Signaling SLC-96: 9-State Signaling (depending on the setting in register FRM_PR43)	X	0	0	X	D	C	B	A
Voice Channel with 4-State Signaling	X	0	1	X	X	X	B	A
Voice Channel with 2-State Signaling	X	1	1	X	X	X	A	A
Data Channel (no signaling)	X	1	0	X	X	X	X	X

### Transmit Signaling Registers: CEPT Format (FRM\_TSR0—FRM\_TSR31)

**Table 181. Transmit Signaling Registers: CEPT Format (FRM\_TSR0—FRM\_TSR31) ((6E0—6FF); (CE0—CFF))**

Transmit Signal Registers	Bit 7	Bit 6—5	Bit 4*	Bit 3	Bit 2	Bit 1	Bit 0
FRM_TSR1—FRM_TSR15	P	X	E[1:15]	D[1:15]	C[1:15]	B[1:15]	A[1:15]
FRM_TSR17—FRM_TSR31	P	X	E[17:31]	D[17:31]	C[17:31]	B[17:31]	A[17:31]

\* In PCS0 or PCS1 signaling mode, this bit is undefined.

## FDL Register Architecture

REGBANK4 and REGBANK7 contain the status and programmable control registers for the facility data link channels FDL1 and FDL2, respectively. The base address for REGBANK4 is 800 (hex) and for REGBANK7 is E00 (hex). Within these register banks, the bit map is identical for both FDL1 and FDL2.

The register bank architecture for FDL1 and FDL2 is shown in Table 184. The register bank consists of 8-bit registers classified as either (programmable) parameter registers or status registers. Default values are shown in parentheses.

**Table 182. FDL Register Set (800—80E); (E00—E0E)**

FDL Register [Address (hex)]	Bit 7	Bit 6	Bit 5	Bit 4	Bit 3	Bit 2	Bit 1	Bit 0
FDL_PR0[800;E00]	FRANSIT3 (1)	FRANSIT2 (0)	FRANSIT1 (1)	FRANSIT0 (0)	Reserved (0)	Reserved (0)	FLAGS (0)	FDINT (0)
FDL_PR1[801;E01]	FTPRM (0)	FRPF (0)	FTR (0)	FRR (0)	FTE (0)	FRE (0)	FLLB (0)	FRLB (0)
FDL_PR2[802;E02]	FTBCRC (0)	FRIIE (0)	FROVIE (0)	FREOFIE (0)	FRFIE (0)	FTUNDIE (0)	FTEIE (0)	FTDIE (0)
FDL_PR3[803;E03]	FTFC (0)	FTABT (0)	FTIL5 (0)	FTIL4 (0)	FTIL3 (0)	FTIL2 (0)	FTIL1 (0)	FTILO (0)
FDL_PR4[804;E04]	FTD7 (0)	FTD6 (0)	FTD5 (0)	FTD4 (0)	FTD3 (0)	FTD2 (0)	FTD1 (0)	FTD0 (0)
FDL_PR5[805;E05]	FTIC7 (0)	FTIC6 (0)	FTIC5 (0)	FTIC4 (0)	FTIC3 (0)	FTIC2 (0)	FTIC1 (0)	FTIC0 (0)
FDL_PR6[806;E06]	FRANSIE (0)	AFDLBPM (0)	FRIL5 (0)	FRIL4 (0)	FRIL3 (0)	FRIL2 (0)	FRIL1 (0)	FRILO (0)
FDL_PR8[808;E08]	FRMC7 (0)	FRMC6 (0)	FRMC5 (0)	FRMC4 (0)	FRMC3 (0)	FRMC2 (0)	FRMC1 (0)	FRMC0 (0)
FDL_PR9[809;E09]	Reserved (0)	FTM (0)	FMATCH (0)	FALOCT (0)	FMSTAT (0)	FOCTOF2 (0)	FOCTOF1 (0)	FOCTOF0 (0)
FDL_PR10[80A;E0A]	FTANSI (0)	Reserved (0)	FTANSI5 (0)	FTANSI4 (0)	FTANSI3 (0)	FTANSI2 (0)	FTANSI1 (0)	FTANSI0 (0)
FDL_SR0[80B;E0B]	FRANSI	FRIDL	FROUERUN	FREOF	FRF	FTUNDABT	FTEM	FTDONE
FDL_SR1[80C;E0C]	FTED	FTQS6	FTQS5	FTQS4	FTQS3	FTQS2	FTQS1	FTQS0
FDL_SR2[80D;E0D]	FREOF	FRQS6	FRQS5	FRQS4	FRQS3	FRQS2	FRQS1	FRQS0
FDL_SR3[80E;E0E]	0	0	X5	X4	X3	X2	X1	X0
FDL_SR4[807;E0F]	FRD7	FRD6	FRD5	FRD4	FRD3	FRD2	FRD1	FRD0

## FDL Parameter/Control Registers (800—80E; E00—E0E)

These registers define the mode configuration of each framer unit. These registers are initially set to a default value upon a hardware reset. These registers are all read/write registers.

Default states of all bits in this register group are also indicated in the parameter/control register map.

**Table 183. FDL Configuration Control Register (FDL\_PR0) (800; E00)**

Bit	Symbol	Description
0	FDINT	<b>Dynamic Interrupt.</b> FDINT = 0 causes multiple occurrences of the same event to generate a single interrupt before the interrupt bit is cleared by reading register FDL_SR0. FDINT = 1 causes multiple interrupts to be generated. This bit should normally be set to 0.
1	FLAGS	<b>Flags.</b> FLAGS = 0 forces the transmission of the idle pattern (11111111) in the absence of transmit FDL information. FLAGS = 1 forces the transmission of the flag pattern (01111110) in the absence of transmit FDL information. This bit resets to 0.
2—3	—	<b>Reserved.</b> Write to 0.
4—7	FRANSIT0—FRANSIT3	<b>Receive ANSI Bit Code Threshold.</b> These bits define the number of ESF ANSI bit codes needed for indicating a valid code. The default is ten (1010 (binary))*.

\* The FRANSIT bits (FDL\_PR0 bits 4—7) must be changed only following an FDL reset or when the FDL is idle.

**Table 184. FDL Control Register (FDL\_PR1) (801; E01)**

Bit	Symbol	Description
0	FRLB	<b>Remote Loopback.</b> FRLB = 1 loops the received facility data back to the transmit facility data interface. This bit resets to 0.
1	FLLB	<b>Local Loopback.</b> FLLB = 1 loops transmit facility data back to the receive facility data link interface. The receive facility data link information from the framer interface is ignored. This bit resets to 0.
2	FRE	<b>FDL Receiver Enable.</b> FRE = 1 activates the FDL receiver. FRE = 0 forces the FDL receiver into an inactive state. This bit resets to 0.
3	FTE	<b>FDL Transmitter Enable.</b> FTE = 1 activates the FDL transmitter. FTE = 0 forces the FDL transmitter into an inactive state. This bit resets to 0.
4	FRR	<b>FDL Receiver Reset.</b> FRR = 1 generates an internal pulse that resets the FDL receiver. The FDL receiver FIFO and related circuitry are cleared. The FREF, FRF, FRIDL, and OVERRUN interrupts are cleared. This bit resets to 0.
5	FTR	<b>FDL Transmitter Reset.</b> FTR = 1 generates an internal pulse that resets the FDL transmitter. The FDL transmit FIFO and related circuitry are cleared. The FTUNDABT bit is cleared, and the FTEM interrupt is set; the FTDONE bit is forced to 0 in the HDLC mode and forced to 1 in the transparent mode. This bit resets to 0.
6	FRPF	<b>FDL Receive PRM Frames.</b> FRPF = 1 allows the receive FDL unit to write the entire receive performance report message including the frame header and CRC data into the receive FDL FIFO. This bit resets to 0.
7	FTPRM	<b>Transmit PRM Enable.</b> When this bit is set, the receive framer will write into the transmit FDL FIFO its performance report message data. The current second of this data is stored in the receive framer's status registers. The receive framer's PRM is transmitted once per second. The PRM is followed by either idles or flags transmitted after the PRM. When this bit is 0, the transmit FDL expects data from the microprocessor interface.

## FDL Parameter/Control Registers (800—80E; E00—E0E) (continued)

Table 185. FDL Interrupt Mask Control Register (FDL\_PR2) (802; E02)

Bit	Symbol	Description
0	FTDIE	<b>FDL Transmit-Done Interrupt Enable.</b> When this interrupt enable bit is set, an INTERRUPT pin transition is generated after the last bit of the closing flag or abort sequence is sent. In the transparent mode (register FDL_PR9 bit 6 = 1), an INTERRUPT pin transition is generated when the transmit FIFO is completely empty. FTDIE is cleared upon reset.
1	FTEIE	<b>FDL Transmitter-Empty Interrupt Enable.</b> When this interrupt-enable bit is set, an INTERRUPT pin transition is generated when the transmit FIFO has reached the programmed empty level (see register FDL_PR3). FTEIE is cleared upon reset.
2	FTUNDIE	<b>FDL Transmit Underrun Interrupt Enable.</b> When this interrupt-enable bit is set, an INTERRUPT pin transition is generated when the transmit FIFO has underrun. FTUNDIE is cleared upon reset and is not used in the transparent mode.
3	FRFIE	<b>FDL Receiver-Full Interrupt Enable.</b> When this interrupt-enable bit is set, an INTERRUPT pin transition is generated when the receive FIFO has reached the programmed full level (see register FDL_PR6). FRFIE is cleared upon reset.
4	FREOFIE	<b>FDL Receive End-of-Frame Interrupt Enable.</b> When this interrupt-enable bit is set, an INTERRUPT pin transition is generated when an end-of-frame is detected by the FDL receiver. FREOFIE is cleared upon reset and is not used in the transparent mode.
5	FROVIE	<b>FDL Receiver Overrun Interrupt Enable.</b> When this interrupt-enable bit is set, an INTERRUPT pin transition is generated when the receive FIFO overruns. FROVIE is cleared upon reset.
6	FRIIE	<b>FDL Receiver Idle-Interrupt Enable.</b> When this interrupt-enable bit is set, an INTERRUPT pin transition is generated when the receiver enters the idle state. FRIIR is cleared upon reset and is not used in the transparent mode.
7	FTBCRC	<b>FDL Transmit Bad CRC.</b> Setting this bit to 1 forces bad CRCs to be sent on all transmitted frames (for test purposes) until the FTBCRC bit is cleared to 0.



**FDL Parameter/Control Registers (800—80E; E00—E0E)** (continued)

**Table 186. FDL Transmitter Configuration Control Register (FDL\_PR3) (803; E03)**

Bit	Symbol	Description
0—5	FTILO—FTIL5	<b>FDL Transmitter Interrupt Level.</b> These bits specify the minimum number of empty positions in the transmit FIFO which triggers a transmitter-empty (FTEM) interrupt. Encoding is in binary; bit 0 is the least significant bit. A code of 001010 will generate an interrupt when the transmit FIFO has ten or more empty locations. The code 000000 generates an interrupt when the transmit FIFO is empty. The number of empty transmit FIFO locations is obtained by reading the transmit FDL status register FDL_SR1.
6 <sup>1</sup>	FTABT	<b>FDL Transmitter Abort.</b> FTABT = 1 forces the transmit FDL unit to abort the frame at the last user data byte waiting for transmission. When the transmitter reads the byte tagged with FTABT, the abort sequence (01111111) is transmitted in its place. A full byte is guaranteed to be transmitted. Once set for a specific data byte, the internal FTABT status cannot be cleared by writing to this bit. Clearing this bit has no effect on a previously written FTABT. The last value written to FTABT is available for reading.
7 <sup>1</sup>	FTFC	<b>FDL Transmitter Frame Complete.</b> FTFC = 1 forces the transmit FDL unit to terminate the frame normally after the last user data byte is written to the transmit FIFO. The CRC sequence and a closing flag are appended. FTFC should be set to 1 within 1 ms of writing the last byte of the frame in the transmit FIFO. When the transmit FIFO is empty, writing two data bytes to the FIFO before setting FTFC provides a minimum of 1 ms to write FTFC = 1. Once set for a specific data byte, the internal FTFC status bit cannot be cleared by writing to this bit. Clearing this bit has no effect on a previously written FTFC. The last value written to FTFC is available for reading.

1. Do **not** set FTABT = 1 and FTFC = 1 at the same time.

**Table 187. FDL Transmitter FIFO Register (FDL\_PR4) (804; E04)**

Bit	Symbol	Description
0—7	FTD0—FTD7	<b>FDL Transmit Data.</b> The user data to be transmitted via the FDL block are loaded through this register.

**Table 188. FDL Transmitter Idle Character Register (FDL\_PR5) (805; E05)**

Bit	Symbol	Description
0—7	FTIC0—FTIC7	<b>FDL Transmitter Idle Character.</b> This character is used only in transparent mode (register FDL_PR9 bit 6 = 1). When the pattern match bit (register FDL_PR9 bit 5) is set to 1, the FDL transmit unit sends this character whenever the transmit FIFO is empty. The default is to send the ones idle character, but any character can be programmed by the user.

**FDL Parameter/Control Registers (800—80E; E00—E0E)** (continued)**Table 189. FDL Receiver Interrupt Level Control Register (FDL\_PR6) (806; E06)**

Bit	Symbol	Description
0—5	FRIL0—FRIL5	<b>FDL Receive Interrupt Level.</b> Bit 0—bit 5 define receiver FIFO full threshold value that will generate the corresponding FRF interrupt. FRIL = 000000 forces the receive FDL FIFO to generate an interrupt when the receive FIFO is completely full. FRIL = 001111 will force the receive FDL FIFO to generate an interrupt when the receive FIFO contains 15 or more bytes.
6	—	<b>Reserved.</b> Write to 0.
7	FRANSIE	<b>FDL Receiver <i>ANSI</i> Bit Codes Interrupt Enable.</b> If this bit is set to 1, an interrupt pin condition is generated whenever a valid <i>ANSI</i> code is received.

**Table 190. FDL Register FDL\_PR7**

Bit	Symbol	Description
0—7	—	<b>Reserved.</b>

**Table 191. FDL Receiver Match Character Register (FDL\_PR8) (808; E08)**

Bit	Symbol	Description
0—7	FRMC0— FRMC7	<b>Receiver FDL Match Character.</b> This character is used only in transparent mode (register FDL_PR9 bit 6 = 1). When the pattern match bit (register FDL_PR9 bit 5) is set to 1, the receive FDL unit searches the incoming bit stream for the receiver match character. Data is loaded into the receive FIFO only after this character has been identified. The byte identified as matching the receiver match character is the first byte loaded into the receive FIFO. The default is to search for a flag, but any character can be programmed by the user. The search for the receiver match character can be in a sliding window fashion (register FDL_PR9 bit 4 = 0) or only on byte boundaries (register FDL_PR9 bit 4 = 1).

**FDL Parameter/Control Registers (800—80E; E00—E0E)** (continued)

**Table 192. FDL Transparent Control Register (FDL\_PR9) (809; E09)**

Bit	Symbol	Description
0—2	FOCTOF0— FOCTOF2	<b>FDL Octet Offset (Read Only).</b> These bits record the offset relative to the octet boundary when the receive character was matched. The FOCTOF bits are valid when register FDL_PR9 bit 3 (FMSTAT) is set to 1. A value of 111 (binary) indicates byte alignment.
3	FMSTAT	<b>Match Status (Read Only).</b> When this bit is set to 1 by the receive FDL unit, the receiver match character has been recognized. The octet offset status bits (FDL_PR9 bit[2:0]) indicates the offset relative to the octet boundary* at which the receive character was matched. If no match is being performed (register FDL_PR9 bit 5 = 0), the FMSTAT bit is set to 1 automatically when the first byte is received, and the octet offset status bits (register FDL_PR9 bit 0—bit 2) are set to 111 (binary).
4	FALOCT	<b>Frame-Sync Align.</b> When this bit is set to 1, the receive FDL unit searches for the receive match character (FDL-PR8) only on an octet boundary. When this bit is 0, the receive FDL unit searches for the receive match character in a sliding window fashion.
5	FMATCH	<b>Pattern Match.</b> FMATCH affects both the transmitter and receiver. When this bit is set to 1, the FDL does not load data into the receive FIFO until the receive match character programmed in register FDL_PR8 has been detected. The search for the receive match character is in a sliding window fashion if register FDL_PR9 bit 4 is 0, or only on octet boundaries if register FDL_PR9 bit 4 is set to 1. When this bit is 0, the receive FDL unit loads the matched byte and all subsequent data directly into the receive FIFO. On the transmit side, when this bit is set to 1 the transmitter sends the transmit idle character programmed into register FDL_PR5 when the transmit FIFO has no user data. The default idle is to transmit the HDLC ones idle character (FF hexadecimal); however, any value can be used by programming the transmit idle character register FDL_PR5. If this bit is 0, the transmitter sends ones idle characters when the transmit FIFO is empty.
6	FTM	<b>FDL Transparent Mode.</b> When this bit is set to 1, the FDL unit performs no HDLC processing on incoming or outgoing data.
7	—	<b>Reserved.</b> Write to 0.

\* The octet boundary is relative the first receive clock edge after the receiver has been enabled (ENR, FDL\_PR1 bit 2 = 1).

**Table 193. FDL Transmit ANS/ESF Bit Codes (FDL\_PR10) (80A; E0A)**

Bit	Symbol	Description
0—5	FTANSI0— FTANSI5	<b>FDL ESF Bit-Oriented Message Data.</b> The transmit ESF FDL bit messages are in the form 111111110X0X1X2X3X4X50, where the order of transmission is from left to right.
6	—	<b>Reserved.</b> Write to 0.
7	FTANSI	<b>Transmit ANS/ Bit Codes.</b> When this bit is set to 1, the FDL unit will continuously transmit the ANS/ code defined using register FDL_PR10 bit 0—bit 5 as the ESF bit code messages. This bit must stay high long enough to ensure the ANS/ code is sent at least 10 times.

## FDL Parameter/Control Registers (800—80E; E00—E0E) (continued)

Table 194. FDL Interrupt Status Register (Clear on Read) (FDL\_SR0) (80B; E0B)

Bit	Symbol	Description
0	FTDONE	<b>Transmit Done.</b> This status bit is set to 1 when transmission of the current FDL frame has been completed, either after the last bit of the closing flag or after the last bit of an abort sequence. In the transparent mode (FDL_PR9 bit 6 = 1), this status bit is set when the transmit FIFO is completely empty. A hardware interrupt is generated only if the corresponding interrupt-enable bit (FDL_PR2 bit 0) is set. This status bit is cleared to 0 by a read of this register.
1	FTEM	<b>Transmitter Empty.</b> If this bit is set to 1, the FDL transmit FIFO is at or below the programmed depth. A hardware interrupt is generated only if the corresponding interrupt-enable bit (FDL_PR2 bit 1) is set. If DINT (FDL_PR0 bit 0) is 0, this status bit is cleared by a read of this register. If FDINT (FDL_PR0 bit 0) is set to 1, this bit actually represents the dynamic transmit empty condition, and is cleared to 0 only when the transmit FIFO is loaded above the programmed empty level.
2	FTUNDABT	<b>FDL Transmit Underrun Abort.</b> A 1 indicates that an abort was transmitted because of a transmit FIFO underrun. A hardware interrupt is generated only if the corresponding interrupt-enable bit (FDL_PR2 bit 2) is set. This status bit is cleared to 0 by a read of this register. This bit must be cleared to 0 before further transmission of data is allowed. This interrupt is not generated in the transparent mode.
3	FRF	<b>FDL Receiver Full.</b> This bit is set to 1 when the receive FIFO is at or above the programmed full level (FDL_PR6). A hardware interrupt is generated if the corresponding interrupt-enable bit (FDL_PR2 bit 3) is set. If FDINT (FDL_PR0 bit 0) is 0, this status bit is cleared to 0 by a read of this register. If FDINT (FDL_PR0 bit 0) is set to 1, then this bit is cleared only when the receive FIFO is read (or emptied) below the programmed full level*.
4	FREOF	<b>FDL Receive End of Frame.</b> This bit is set to 1 when the receiver has finished receiving a frame. It becomes 1 upon reception of the last bit of the closing flag of a frame or the last bit of an abort sequence. A hardware interrupt is generated only if the corresponding interrupt-enable bit (FDL_PR2 bit 4) is set. This status bit is cleared to 0 by a read of this register. This interrupt is not generated in the transparent mode.
5	FROVERUN	<b>FDL Receiver Overrun.</b> This bit is set to 1 when the receive FIFO has overrun its capacity. A hardware interrupt is generated only if the corresponding interrupt-enable bit (FDL_PR2 bit 5) is set. This status bit is cleared to 0 by a read of this register*.
6	FRIDL	<b>FDL Receiver Idle.</b> This bit is set to 1 when the FDL receiver is idle (i.e., 15 or more consecutive ones have been received). A hardware interrupt is generated only if the corresponding interrupt-enable bit (FDL_PR2 bit 6) is set. This status bit is cleared to 0 by a read of this register. This interrupt is not generated in the transparent mode.
7	FRANSI	<b>FDL Receive ANS/Bit Codes.</b> This bit is set to 1 when the FDL receiver recognizes a valid T1.403 ESF FDL bit code. The receive ANS/bit code is stored in register FDL_SR3. An interrupt is generated only if the corresponding interrupt enable of register FDL_PR6 bit 7 = 1. This status bit is cleared to 0 by a read this register.

\* If an FDL receive FIFO overrun occurs, as indicated by register FDL\_SR0 bit 5 (FROVERUN) = 1, the FDL must be reset to restore proper operation of the FIFO. Following an FDL receive FIFO overrun, data extracted prior to the required reset may be corrupted.

**FDL Parameter/Control Registers (800—80E; E00—E0E)** (continued)

**Table 195. FDL Transmitter Status Register (FDL\_SR1) (80C; E0C)**

Bit	Symbol	Description
0—6	FTQS0— FTQS6	<b>FDL Transmit Queue Status.</b> Bit 0—bit 6 indicate how many bytes can be added to the transmit FIFO*. The bits are encoded in binary where bit 0 is the least significant bit.
7	FTED	<b>FDL Transmitter Empty Dynamic.</b> FTED = 1 indicates that the number of empty locations available in the transmit FIFO is greater than or equal to the value programmed in the FTIL bits (FDL_PR3).

\* The count of FDL\_SR1 bits 0—6 includes SF byte.

**Table 196. FDL Receiver Status Register (FDL\_SR2) (80D; E0D)**

Bit	Symbol	Description
0—6	FRQS0— FRQS6	<b>FDL Receive Queue Status.</b> Bit 0—bit 6 indicate how many bytes are in the receive FIFO, including the first status of Frame (SF) byte. The bits are encoded in binary where bit 0 is the least significant bit*.
7	FEOF	<b>FDL End of Frame.</b> When FEOF = 1, the receive queue status indicates the number of bytes up to and including the first SF byte.

\* Immediately following an FDL reset, the value in bit 0—bit 6 of this status register is 0. After the initial read of the FDL receive FIFO, the value in bit 0—bit 6 of this status register is the number of bytes including SF byte that may be read from the FIFO.

**Received FDL ANS/ Bit Codes Status Register (FDL\_SR3)**

The 6-bit code extracted from the ANS/ code 11111110X0X1X2X3X4X50 is stored in this register.

**Table 197. Receive ANS/ FDL Status Register (FDL\_SR3) (80E; E0E)**

B7	B6	B5	B4	B3	B2	B1	B0
0	0	X5	X4	X3	X2	X1	X0

**Receive FDL FIFO Register (FDL\_SR4)**

This FIFO stores the received FDL data. Only valid FIFO bytes indicated in register FDL\_SR2 may be read. Reading nonvalid FIFO locations or reading the FIFO when it is empty will corrupt the FIFO pointer and will require an FDL reset to restore proper FDL operation.

**Table 198. FDL Receiver FIFO Register (FDL\_SR4) (807; E07)**

Bit	Symbol	Description
0—7	FRD0—FRD7	<b>FDL Receive Data.</b> The user data received via the FDL block are read through this register.

## Register Maps

## Global Registers

Table 199. Global Register Set

REG	Clear-On-Read (COR) Read (R) Write (W)	Bit 7	Bit 6	Bit 5	Bit 4	Bit 3	Bit 2	Bit 1	Bit 0	Register Address (hexadecimal)
GREG0	COR	Reserved (0)	FDL2INT (0)	FRMR2INT (0)	LIU2INT (0)	Reserved (0)	FDL1INT (0)	FRMR1INT (0)	LIU1INT (0)	000
GREG1	R/W	Reserved (0)	FDL2IE (0)	FRMR2IE (0)	LIU2IE (0)	Reserved (0)	FDL1IE (0)	FRMR1IE (0)	LIU1IE (0)	001
GREG2	R/W	TID2-RSD1 (0)	TSD2-RSD1 (0)	TID1-RSD1 (0)	TSD1-RSD1 (0)	TSD2-RID1 (0)	TID2-RID1 (0)	TSD1-RID1 (0)	TID1-RID1 (0)	002
GREG3	R/W	TID1-RSD2 (0)	TSD1-RSD2 (0)	TID2-RSD2 (0)	TSD2-RSD2 (0)	TSD1-RID2 (0)	TID1-RID2 (0)	TSD2-RID2 (0)	TID2-RID2 (0)	003
GREG4	R/W	Reserved (0)	ALIE (0)	SECCTRL (0)	Reserved (0)	T1-R2 (0)	T2-R1 (0)	Reserved (0)	Reserved (0)	004
GREG5	R	0	1	1	1	0	1	1	0	005
GREG6	R	0	0	1	1	0	0	0	0	006
GREG7	R	0	0	0	0	0	0	1	0	007

## Line Interface Unit Parameter/Control and Status Registers

Table 200. Line Interface Unit Register Set\*

LIU_REG	Clear-On-Read (COR) Read (R) Write (W)	Bit 7	Bit 6	Bit 5	Bit 4	Bit 3	Bit 2	Bit 1	Bit 0	Register Address (hexadecimal)	
										Framer 1	Framer 2
LIU_REG0	COR	Reserved	Reserved	Reserved	Reserved	LOTC	TDM	DLOS	ALOS	400	A00
LIU_REG1	R/W	Reserved (0)	Reserved (0)	Reserved (0)	Reserved (0)	LOTCIE (0)	TDMIE (0)	DLOSIE (0)	ALOSIE (0)	401	A01
LIU_REG2	R/W	Reserved (0)	Reserved (0)	RESTART (0)	HIGHZ (0)	Reserved (0)	LOSSTD (0)	Reserved (0)	Reserved (0)	402	A02
LIU_REG3	R/W	Reserved† (1)	Reserved† (1)	Reserved† (1)	LOSSD (0)	DUAL (0)	CODE (1)	JAT (0)	JAR (0)	403	A03
LIU_REG4	R/W	Reserved (0)	Reserved (0)	JABW0 (0)	PHIZALM (0)	PRLALM (0)	PFLALM (0)	RCVAIS (0)	ALTIMER (0)	404	A04
LIU_REG5	R/W	Reserved (0)	Reserved (0)	Reserved (0)	Reserved (0)	LOOPA (0)	LOOPB (0)	XLAIS (1)	PWRDN (0)	405	A05
LIU_REG6	R/W	Reserved (0)	Reserved (0)	Reserved (0)	Reserved (0)	Reserved (0)	EQ2 (0,DS1) (1,CEPT)	EQ1 (0,DS1) (1,CEPT)	EQ0 (0)	406	A06

\* The logic value in parentheses below each bit definition is the default state upon completion of hardware reset.

† These bits must be written to 1.

Register Maps (continued)

Framer Parameter/Control Registers (Read-Write)

Table 201. Framer Unit Status Register Map

Framer Status	Clear-On-Read (COR)	Bit 7	Bit 6	Bit 5	Bit 4	Bit 3	Bit 2	Bit 1	Bit 0	Register Address (hexadecimal)	
										Framer 1	Framer 2
FRM_SR0	COR	S96SR	0	RSSFE	TSSFE	ESE	FAE	RAC	FAC	600	C00
FRM_SR1	COR	AIS	AUXP	RTS16AIS	LBFA	LFALR	LTSFA LTS0MFA	LSFA LTS16MFA	LFA	601	C01
FRM_SR2	COR	RSa6 = F	RSa6 = E	RSa6 = C	RSa6 = A	RSa6 = 8	CREBIT	RJYA RTS16MFA	RFA	602	C02
FRM_SR3	COR	SLIPU	SLIPO	LCRCATMX	REBIT	ECE	CRCE	FBE	LFV	603	C03
FRM_SR4	COR	FDL-LLBOFF TSaSR	FDL-LLBON RSaSR	FDL-PLBOFF	FDL-PLBON	LLBON CMA	LLBOFF BFA	SSFA	NFA	604	C04
FRM_SR5	COR	ETREUAS	ETRESES	ETREBES	ETREES	ETUAS	ETSES	ETBES	ETES	605	C05
FRM_SR6	COR	NTREUAS	NTRESES	NTREBES	NTREES	NTUAS	NTSES	NTBES	NTES	606	C06
FRM_SR7	COR	RQUASI	RPSEUDO	PTRNBER	DETECT	NROUAS	NT1OUAS	EROUAS	OUAS	607	C07
FRM_SR8	COR	BPV15	BPV14	BPV13	BPV12	BPV11	BPV10	BPV9	BPV8	608	C08
FRM_SR9	COR	BPV7	BPV6	BPV5	BPV4	BPV3	BPV2	BPV1	BPV0	609	C09
FRM_SR10	COR	FE15	FE14	FE13	FE12	FE11	FE10	FE9	FE8	60A	C0A
FRM_SR11	COR	FE7	FE6	FE5	FE4	FE3	FE2	FE1	FE0	60B	C0B
FRM_SR12	COR	CEC15	CEC14	CEC13	CEC12	CEC11	CEC10	CEC9	CEC8	60C	C0C
FRM_SR13	COR	CEC7	CEC6	CEC5	CEC4	CEC3	CEC2	CEC1	CEC0	60D	C0D
FRM_SR14	COR	REC15	REC14	REC13	REC12	REC11	REC10	REC9	REC8	60E	C0E
FRM_SR15	COR	REC7	REC6	REC5	REC4	REC3	REC2	REC1	REC0	60F	C0F
FRM_SR16	COR	CNT15	CNT14	CNT13	CNT12	CNT11	CNT10	CNT9	CNT8	610	C10
FRM_SR17	COR	CNT7	CNT6	CNT5	CNT4	CNT3	CNT2	CNT1	CNT0	611	C11
FRM_SR18	COR	ENT15	ENT14	ENT13	ENT12	ENT11	ENT10	ENT9	ENT8	612	C12
FRM_SR19	COR	ENT7	ENT6	ENT5	ENT4	ENT3	ENT2	ENT1	ENT0	613	C13
FRM_SR20	COR	ETES15	ETES14	ETES13	ETES12	ETES11	ETES10	ETES9	ETES8	614	C14
FRM_SR21	COR	ETES7	ETES6	ETES5	ETES4	ETES3	ETES2	ETES1	ETES0	615	C15
FRM_SR22	COR	ETBES15	ETBES14	ETBES13	ETBES12	ETBES11	ETBES10	ETBES9	ETBES8	616	C16
FRM_SR23	COR	ETBES7	ETBES6	ETBES5	ETBES4	ETBES3	ETBES2	ETBES1	ETBES0	617	C17
FRM_SR24	COR	ETSES15	ETSES14	ETSES13	ETSES12	ETSES11	ETSES10	ETSES9	ETSES8	618	C18
FRM_SR25	COR	ETSES7	ETSES6	ETSES5	ETSES4	ETSES3	ETSES2	ETSES1	ETSES0	619	C19
FRM_SR26	COR	ETUS15	ETUS14	ETUS13	ETUS12	ETUS11	ETUS10	ETUS9	ETUS8	61A	C1A
FRM_SR27	COR	ETUS7	ETUS6	ETUS5	ETUS4	ETUS3	ETUS2	ETUS1	ETUS0	61B	C1B
FRM_SR28	COR	ETREES15	ETREES14	ETREES13	ETREES12	ETREES11	ETREES10	ETREES9	ETREES8	61C	C1C
FRM_SR29	COR	ETREES7	ETREES6	ETREES5	ETREES4	ETREES3	ETREES2	ETREES1	ETREES0	61D	C1D
FRM_SR30	COR	ETREBES15	ETREBES14	ETREBES13	ETREBES12	ETREBES11	ETREBES10	ETREBES9	ETREBES8	61E	C1E
FRM_SR31	COR	ETREBES7	ETREBES6	ETREBES5	ETREBES4	ETREBES3	ETREBES2	ETREBES1	ETREBES0	61F	C1F
FRM_SR32	COR	ETRESES15	ETRESES14	ETRESES13	ETRESES12	ETRESES11	ETRESES10	ETRESES9	ETRESES8	620	C20
FRM_SR33	COR	ETRESES7	ETRESES6	ETRESES5	ETRESES4	ETRESES3	ETRESES2	ETRESES1	ETRESES0	621	C21
FRM_SR34	COR	ETREUS15	ETREUS14	ETREUS13	ETREUS12	ETREUS11	ETREUS10	ETREUS9	ETREUS8	622	C22
FRM_SR35	COR	ETREUS7	ETREUS6	ETREUS5	ETREUS4	ETREUS3	ETREUS2	ETREUS1	ETREUS0	623	C23

\* Unbracketed contents are valid for DS1 modes. Bracketed contents, [], are valid for CEPT mode.

Register Maps (continued)

Table 201. Framers Unit Status Register Map (continued)

Framer Status	Clear-On-Read (COR)	Bit 7	Bit 6	Bit 5	Bit 4	Bit 3	Bit 2	Bit 1	Bit 0	Register Address (hexadecimal)	
										Framer 1	Framer 2
FRM_SR36	COR	NTES15	NTES14	NTES13	NTES12	NTES11	NTES10	NTES9	NTES8	624	C24
FRM_SR37	COR	NTES7	NTES6	NTES5	NTES4	NTES3	NTES2	NTES1	NTES0	625	C25
FRM_SR38	COR	NTBES15	NTBES14	NTBES13	NTBES12	NTBES11	NTBES10	NTBES9	NTBES8	626	C26
FRM_SR39	COR	NTBES7	NTBES6	NTBES5	NTBES4	NTBES3	NTBES2	NTBES1	NTBES0	627	C27
FRM_SR40	COR	NTSES15	NTSES14	NTSES13	NTSES12	NTSES11	NTSES10	NTSES9	NTSES8	628	C28
FRM_SR41	COR	NTSES7	NTSES6	NTSES5	NTSES4	NTSES3	NTSES2	NTSES1	NTSES0	629	C29
FRM_SR42	COR	NTUS15	NTUS14	NTUS13	NTUS12	NTUS11	NTUS10	NTUS9	NTUS8	62A	C2A
FRM_SR43	COR	NTUS7	NTUS6	NTUS5	NTUS4	NTUS3	NTUS2	NTUS1	NTUS0	62B	C2B
FRM_SR44	COR	NTRRES15	NTRRES14	NTRRES13	NTRRES12	NTRRES11	NTRRES10	NTRRES9	NTRRES8	62C	C2C
FRM_SR45	COR	NTRRES7	NTRRES6	NTRRES5	NTRRES4	NTRRES3	NTRRES2	NTRRES1	NTRRES0	62D	C2D
FRM_SR46	COR	NTRBES15	NTRBES14	NTRBES13	NTRBES12	NTRBES11	NTRBES10	NTRBES9	NTRBES8	62E	C2E
FRM_SR47	COR	NTRBES7	NTRBES6	NTRBES5	NTRBES4	NTRBES3	NTRBES2	NTRBES1	NTRBES0	62F	C2F
FRM_SR48	COR	NTRSES15	NTRSES14	NTRSES13	NTRSES12	NTRSES11	NTRSES10	NTRSES9	NTRSES8	630	C30
FRM_SR49	COR	NTRSES7	NTRSES6	NTRSES5	NTRSES4	NTRSES3	NTRSES2	NTRSES1	NTRSES0	631	C31
FRM_SR50	COR	NTRREUS15	NTRREUS14	NTRREUS13	NTRREUS12	NTRREUS11	NTRREUS10	NTRREUS9	NTRREUS8	632	C32
FRM_SR51	COR	NTRREUS7	NTRREUS6	NTRREUS5	NTRREUS4	NTRREUS3	NTRREUS2	NTRREUS1	NTRREUS0	633	C33
FRM_SR52	COR	NFB1 [F15E]	FBI [F13E]	A bit	Sa4	Sa5	Sa6	Sa7	Sa8	634	C34
FRM_SR53	COR	0	0	0	0	0	RX2	RX1	RX0	635	C35
FRM_SR54*	COR	0 [Sa4-1]	0 [Sa4-3]	R-0 [Sa4-5]	R-0 [Sa4-7]	R-0 [Sa4-9]	R-1 [Sa4-11]	R-1 [Sa4-13]	R-1 [Sa4-15]	636	C36
FRM_SR55*	COR	0 [Sa4-17]	0 [Sa4-19]	R-0 [Sa4-21]	R-0 [Sa4-23]	R-0 [Sa4-25]	R-1 [Sa4-27]	R-1 [Sa4-29]	R-1 [Sa4-31]	637	C37
FRM_SR56*	COR	RC1 [Sa5-1]	RC2 [Sa5-3]	RC3 [Sa5-5]	RC4 [Sa5-7]	RC5 [Sa5-9]	RC6 [Sa5-11]	RC7 [Sa5-13]	RC8 [Sa5-15]	638	C38
FRM_SR57*	COR	RC9 [Sa5-17]	RC10 [Sa5-19]	RC11 [Sa5-21]	RSPB1 = 0 [Sa5-23]	RSPB2 = 1 [Sa5-25]	RSPB3 = 0 [Sa5-27]	RM1 [Sa5-29]	RM2 [Sa5-31]	639	C39
FRM_SR58*	COR	RM3 [Sa6-1]	RA1 [Sa6-3]	RA2 [Sa6-5]	RS1 [Sa6-7]	RS2 [Sa6-9]	RS3 [Sa6-11]	RS4 [Sa6-13]	RSPB4 = 1 [Sa6-15]	63A	C3A
FRM_SR59*	COR	0 [Sa6-17]	0 [Sa6-19]	0 [Sa6-21]	0 [Sa6-23]	0 [Sa6-25]	0 [Sa6-27]	0 [Sa6-29]	0 [Sa6-31]	63B	C3B
FRM_SR60*	COR	0 [Sa7-1]	0 [Sa7-3]	0 [Sa7-5]	0 [Sa7-7]	0 [Sa7-9]	0 [Sa7-11]	0 [Sa7-13]	0 [Sa7-15]	63C	C3C
FRM_SR61*	COR	0 [Sa7-17]	0 [Sa7-19]	0 [Sa7-21]	0 [Sa7-23]	0 [Sa7-25]	0 [Sa7-27]	0 [Sa7-29]	0 [Sa7-31]	63D	C3D
FRM_SR62*	COR	G3 [Sa8-1]	LV [Sa8-3]	G4 [Sa8-5]	U1 [Sa8-7]	U2 [Sa8-9]	G5 [Sa8-11]	SL [Sa8-13]	G6 [Sa8-15]	63E	C3E
FRM_SR63*	COR	FE [Sa8-17]	SE [Sa8-19]	LB [Sa8-21]	G1 [Sa8-23]	R [Sa8-25]	G2 [Sa8-27]	Nm [Sa8-29]	NI [Sa8-31]	63F	C3F

\* Unbracketed contents are valid for DS1 modes. Bracketed contents, [], are valid for CEPT mode.



Register Maps (continued)

Receive Framing Signaling Registers (Read-Only)

Table 202. Receive Signaling Registers Map

Receive Signaling	Read (R)	Bit 7	Bit 6*	Bit 5*	Bit 4†	Bit 3‡	Bit 2‡	Bit 1§	Bit 0	Register Address (hexadecimal)	
										Framer 1	Framer 2
FRM_RSR0**	R	P	G_0	F_0	E_0	D_0	C_0	B_0	A_0	640	C40
FRM_RSR1	R	P	G_1	F_1	E_1	D_1	C_1	B_1	A_1	641	C41
FRM_RSR2	R	P	G_2	F_2	E_2	D_2	C_2	B_2	A_2	642	C42
FRM_RSR3	R	P	G_3	F_3	E_3	D_3	C_3	B_3	A_3	643	C43
FRM_RSR4	R	P	G_4	F_4	E_4	D_4	C_4	B_4	A_4	644	C44
FRM_RSR5	R	P	G_5	F_5	E_5	D_5	C_5	B_5	A_5	645	C45
FRM_RSR6	R	P	G_6	F_6	E_6	D_6	C_6	B_6	A_6	646	C46
FRM_RSR7	R	P	G_7	F_7	E_7	D_7	C_7	B_7	A_7	647	C47
FRM_RSR8	R	P	G_8	F_8	E_8	D_8	C_8	B_8	A_8	648	C48
FRM_RSR9	R	P	G_9	F_8	E_8	D_8	C_8	B_8	A_8	649	C49
FRM_RSR10	R	P	G_10	F_10	E_10	D_10	C_10	B_10	A_10	64A	C4A
FRM_RSR11	R	P	G_11	F_11	E_11	D_11	C_11	B_11	A_11	64B	C4B
FRM_RSR12	R	P	G_12	F_12	E_12	D_12	C_12	B_12	A_12	64C	C4C
FRM_RSR13	R	P	G_13	F_13	E_13	D_13	C_13	B_13	A_13	64D	C4D
FRM_RSR14	R	P	G_14	F_14	E_14	D_14	C_14	B_14	A_14	64E	C4E
FRM_RSR15	R	P	G_15	F_15	E_15	D_15	C_15	B_15	A_15	64F	C4F
FRM_RSR16††	R	P	G_16	F_16	E_16	D_16	C_16	B_16	A_16	650	C50
FRM_RSR17	R	P	G_17	F_17	E_17	D_17	C_17	B_17	A_17	651	C51
FRM_RSR18	R	P	G_18	F_18	E_18	D_18	C_18	B_18	A_18	652	C52
FRM_RSR19	R	P	G_19	F_19	E_19	D_19	C_19	B_19	A_19	653	C53
FRM_RSR20	R	P	G_20	F_20	E_20	D_20	C_20	B_20	A_20	654	C54
FRM_RSR21	R	P	G_21	F_21	E_21	D_21	C_21	B_21	A_21	655	C55
FRM_RSR22	R	P	G_22	F_22	E_22	D_22	C_22	B_22	A_22	656	C56
FRM_RSR23	R	P	G_23	F_23	E_23	D_23	C_23	B_23	A_23	657	C57
FRM_RSR24‡	R	P	X††	X	E_24	D_24	C_24	B_24	A_24	658	C58
FRM_RSR25‡	R	P	X	X	E_25	D_25	C_25	B_25	A_25	659	C59
FRM_RSR26‡	R	P	X	X	E_26	D_26	C_26	B_26	A_26	65A	C5A
FRM_RSR27‡	R	P	X	X	E_27	D_27	C_27	B_27	A_27	65B	C5B
FRM_RSR28‡	R	P	X	X	E_28	D_28	C_28	B_28	A_28	65C	C5C
FRM_RSR29‡	R	P	X	X	E_29	D_29	C_29	B_29	A_29	65D	C5D
FRM_RSR30‡	R	P	X	X	E_30	D_30	C_30	B_30	A_30	65E	C5E
FRM_RSR31‡	R	P	X	X	E_31	D_31	C_31	B_31	A_31	65F	C5F

\* In the DS1 robbed-bit signaling modes, these bits are copied from the corresponding transmit signaling registers. In the CEPT signaling modes, these bits are in the 0 state and should be ignored.

† In the DS1 signaling modes, these registers contain unknown data.

‡ In DS1 4-state and 2-state signaling, these bits contain unknown data.

§ In DS1 2-state signaling, these bits contain unknown data.

\*\* In the CEPT signaling modes, the A-, B-, C-, D-, and P-bit information of these registers contains unknown data.

†† Signifies unknown data.

## Register Maps (continued)

## Framer Unit Parameter Register Map

Table 203. Framer Unit Parameter Register Map

Framer Control	Read (R) Write (W)	Bit 7	Bit 6	Bit 5	Bit 4	Bit 3	Bit 2	Bit 1	Bit 0	Register Address (hexadecimal)	
										Framer 1	Framer 2
FRM_PR0	R/W	SLCIE (0)	Reserved (0)	RSRIE (0)	TSRIE (0)	SR567IE (0)	SR34IE (0)	SR2IE (0)	SR1IE (0)	660	C60
FRM_PR1	R/W	SR1B7IE (0)	SR1B6IE (0)	SR1B5IE (0)	SR1B4IE (0)	SR1B3IE (0)	SR1B2IE (0)	SR1B1IE (0)	SR1B0IE (0)	661	C61
FRM_PR2	R/W	SR2B7IE (0)	SR2B6IE (0)	SR2B5IE (0)	SR2B4IE (0)	SR2B3IE (0)	SR2B2IE (0)	SR2B1IE (0)	SR2B0IE (0)	662	C62
FRM_PR3	R/W	SR3B7IE (0)	SR3B6IE (0)	SR3B5IE (0)	SR3B4IE (0)	SR3B3IE (0)	SR3B2IE (0)	SR3B1IE (0)	SR3B0IE (0)	663	C63
FRM_PR4	R/W	SR4B7IE (0)	SR4B6IE (0)	SR4B5IE (0)	SR4B4IE (0)	SR4B3IE (0)	SR4B2IE (0)	SR4B1IE (0)	SR4B0IE (0)	664	C64
FRM_PR5	R/W	SR5B7IE (0)	SR5B6IE (0)	SR5B5IE (0)	SR5B4IE (0)	SR5B3IE (0)	SR5B2IE (0)	SR5B1IE (0)	SR5B0IE (0)	665	C65
FRM_PR6	R/W	SR6B7IE (0)	SR6B6IE (0)	SR6B5IE (0)	SR6B4IE (0)	SR6B3IE (0)	SR6B2IE (0)	SR6B1IE (0)	SR6B0IE (0)	666	C66
FRM_PR7	R/W	SR7B7IE (0)	SR7B6IE (0)	SR7B5IE (0)	SR7B4IE (0)	SR7B3IE (0)	SR7B2IE (0)	SR7B1IE (0)	SR7B0IE (0)	667	C67
FRM_PR8	R/W	LC2 (1)	LC1 (1)	LC0 (0)	FMODE4 (0)	FMODE3 (0)	FMODE2 (0)	FMODE1 (0)	FMODE0 (0)	668	C68
FRM_PR9	R/W	CRCO7 (0)	CRCO6 (0)	CRCO5 (0)	CRCO4 (0)	CRCO3 (0)	CRCO2 (0)	CRCO1 (0)	CRCO0 (0)	669	C69
FRM_PR10	R/W	ESM1 (0)	ESM0 (0)	Reserved (0)	Reserved (0)	CNUCLBEN (0)	FEREN (0)	AISM (0)	SSa6M (0)	66A	C6A
FRM_PR11	R/W	EST7 (0)	EST6 (0)	EST5 (0)	EST4 (0)	EST3 (0)	EST2 (0)	EST1 (0)	EST0 (0)	66B	C6B
FRM_PR12	R/W	SEST15 (0)	SEST14 (0)	SEST13 (0)	SEST12 (0)	SEST11 (0)	SEST10 (0)	SEST9 (0)	SEST8 (0)	66C	C6C
FRM_PR13	R/W	SEST7 (0)	SEST6 (0)	SEST5 (0)	SEST4 (0)	SEST3 (0)	SEST2 (0)	SEST1 (0)	SEST0 (0)	66D	C6D
FRM_PR14	R/W	0	0	0	0	ETSLIP (0)	ETAIS (0)	ETLMFA (0)	ETLFA (0)	66E	C6E
FRM_PR15	R/W	ETRESa6-F (0)	ETRESa6-E (0)	ETRESa6-8 (0)	ETRERFA (0)	ETRESLIP (0)	ETREAIS (0)	ETRELMFA (0)	ETRELFA (0)	66F	C6F
FRM_PR16	R/W	NTSa6-C (0)	0	NTSa6-8 (0)	0	NTSLIP (0)	NTAIS (0)	NMLMFA (0)	NMLFA (0)	670	C70
FRM_PR17	R/W	0	0	0	NTRERFA (0)	NTRSLIP (0)	NTRERFA (0)	NTRMLMFA (0)	NTRMLFA (0)	671	C71
FRM_PR18	R/W	0	0	0	0	NTRERFA-C (0)	NTRERFA-F (0)	NTRERFA-E (0)	NTRERFA-8 (0)	672	C72
FRM_PR19	R/W	AFDPLBE (0)	AFDLLBE (0)	Reserved (0)	ALLBE (0)	TSAIS (0)	Reserved (0)	ASAISTMX (0)	ASAIS (0)	673	C73
FRM_PR20	R/W	TICRC (0)	TLIC (0)	TLLBOFF (0)	TLLBON (0)	TQRS (0)	TPRS (0)	TUFAUXP (0)	TUFAIS (0)	674	C74

Register Maps (continued)

Table 203. Framers Unit Parameter Register Map (continued)

Framer Control	Read (R) Write (W)	Bit 7	Bit 6	Bit 5	Bit 4	Bit 3	Bit 2	Bit 1	Bit 0	Register Address (hexadecimal)	
										Framer 1	Framer 2
FRM_PR21	R/W	TC/R = 1 (0)	TFDLC (0)	TFDLSAIS (0)	TFDLLAIS (0)	Reserved (0)	Reserved (0)	Reserved (0)	Reserved (0)	675	C75
FRM_PR22	R/W	TLIC7 (0)	TLIC6 (1)	TLIC5 (1)	TLIC4 (1)	TLIC3 (1)	TLIC2 (1)	TLIC1 (1)	TLIC0 (1)	676	C76
FRM_PR23	R/W	SSTSC7 (1)	SSTSC6 (1)	SSTSC5 (1)	SSTSC4 (1)	SSTSC3 (1)	SSTSC2 (1)	SSTSC1 (1)	SSTSC0 (1)	677	C77
FRM_PR24	R/W	LBC2 (0)	LBC1 (0)	LBC0 (0)	TSLBA4 (0)	TSLBA3 (0)	TSLBA2 (0)	TSLBA1 (0)	TSLBA0 (0)	678	C78
FRM_PR25	R/W	Reserved (0)	SLBC1 (0)	SLBC0 (0)	STSLBA4 (0)	STSLBA3 (0)	STSLBA2 (0)	STSLBA1 (0)	STSLBA0 (0)	679	C79
FRM_PR26	R/W	Reserved (0)	Reserved (0)	SYSFSM (0)	TFM2 (0)	TFM1 (0)	FRFRM (0)	SWRE- START (0)	SWRESET (0)	67A	C7A
FRM_PR27	R/W	TRFA (0)	TJRFA (0)	AARSa6_C (0)	AARSa6_8 (0)	ATMX (0)	AAB0LMFA (0)	AAB16LMFA (0)	ARLFA (0)	67B	C7B
FRM_PR28	R/W	0	0	ATERTX (0)	ATELTS0MFA (0)	ATECRCE (0)	TSiNF (0)	TSiF (0)	SIS, T1E (0)	67C	C7C
FRM_PR29	R/W	SaS7 (0)	SaS6 (0)	SaS5 (0)	TSa8 (0)	TSa7 (0)	TSa6 (0)	TSa5 (0)	TSa4 (0)	67D	C7D
FRM_PR30	R/W	TDNF (0)	Reserved (0)	Reserved (0)	TESa8 (0)	TESa7 (0)	TESa6 (0)	TESa5 (0)	TESa4 (0)	67E	C7E
FRM_PR31	R/W	0 Sa4-1	0 Sa4-3	X-0 Sa4-5	X-0 Sa4-7	X-0 Sa4-9	X-1 Sa4-11	X-1 Sa4-13	X-1 Sa4-15	67F	C7F
FRM_PR32	R/W	0 Sa4-17	0 Sa4-19	X-0 Sa4-21	X-0 Sa4-23	X-0 Sa4-25	X-1 Sa4-27	X-1 Sa4-29	X-1 Sa4-31	680	C80
FRM_PR33	R/W	XC1 Sa5-1	XC2 Sa5-3	XC3 Sa5-5	XC4 Sa5-7	XC5 Sa5-9	XC6 Sa5-11	XC7 Sa5-13	XC8 Sa5-15	681	C81
FRM_PR34	R/W	XC9 Sa5-17	XC10 Sa5-19	XC11 Sa5-21	XSPB1 = 0 Sa5-23	XSPB2 = 1 Sa5-25	XSPB3 = 0 Sa5-27	XM1 Sa5-29	XM2 Sa5-31	682	C82
FRM_PR35	R/W	XM3 Sa6-1	XA1 Sa6-3	XA2 Sa6-5	XS1 Sa6-7	XS2 Sa6-9	XS3 Sa6-11	XS4 Sa613	XSPB4 = 1 Sa6-15	683	C83
FRM_PR36	R/W	Sa6-17	Sa6-19	Sa6-21	Sa6-23	Sa6-25	Sa6-27	Sa6-29	Sa6-31	684	C84
FRM_PR37	R/W	Sa7-1	Sa7-3	Sa7-5	Sa7-7	Sa7-9	Sa7-11	Sa7-13	Sa7-15	685	C85
FRM_PR38	R/W	Sa7-17	Sa7-19	Sa7-21	Sa7-23	Sa7-25	Sa7-27	Sa7-29	Sa7-31	686	C86
FRM_PR39	R/W	Sa8-1	Sa8-3	Sa8-5	Sa8-7	Sa8-9	Sa8-11	Sa8-13	Sa8-15	687	C87
FRM_PR40	R/W	Sa8-17	Sa8-19	Sa8-21	Sa8-23	Sa8-25	Sa8-27	Sa8-29	Sa8-31	688	C88
FRM_PR41	R/W	Reserved (0)	TLTS16AIS (0)	TLTS16RMFA (0)	ALTTS16RMFA (0)	XS (0)	TTS16X2 (0)	TTS16X1 (0)	TTS16X0 (0)	689	C89

Register Maps (continued)

Table 203. Framer Unit Parameter Register Map (continued)

Framer Control	Read (R) Write (W)	Bit 7	Bit 6	Bit 5	Bit 4	Bit 3	Bit 2	Bit 1	Bit 0	Register Address (hexadecimal)	
										Framer 1	Framer 2
FRM_PR42	R/W	FEX7 (0)	FEX6 (0)	FEX5 (0)	FEX4 (0)	FEX3 (0)	FEX2 (0)	FEX1 (0)	FEX0 (0)	68A	C8A
FRM_PR43	R/W	Reserved (0)	Reserved (0)	Reserved (0)	Reserved (0)	SSC (0)	STS2 [SaFDL2] (0)	STS1 [SaFDL1] (0)	STS0 [SaFDL0] (1)	68B	C8B
FRM_PR44	R/W	TCSS (0)	ASTSAIS (0)	TSR-ASM (0)	MOS (0)	RSI (0)	ASM (0)	STOMP (0)	TSIG (0)	68C	C8C
FRM_PR45	R/W	HWYEN (0)	Reserved (0)	Reserved (0)	CHIMM (0)	CDRS1 (0)	CDRS0 (0)	CMS (0)	HFLF (0)	68D	C8D
FRM_PR46	R/W	RFE (0)	ROFF2 (0)	ROFF1 (0)	ROFF0 (0)	TFE (0)	TOFF2 (0)	TOFF1 (0)	TOFF0 (0)	68E	C8E
FRM_PR47	R/W	Reserved (0)	TCE (0)	TBYOFF5 (0)	TBYOFF4 (0)	TBYOFF3 (0)	TBYOFF2 (0)	TBYOFF1 (0)	TBYOFF0 (0)	68F	C8F
FRM_PR48	R/W	Reserved (0)	RCE (0)	RBYOFF5 (0)	RBYOFF4 (0)	RBYOFF3 (0)	RBYOFF2 (0)	RBYOFF1 (0)	RBYOFF0 (0)	690	C90
FRM_PR49	R/W	TTSE31 (0)	TTSE30 (0)	TTSE29 (0)	TTSE28 (0)	TTSE27 (0)	TTSE26 (0)	TTSE25 (0)	TTSE24 (0)	691	C91
FRM_PR50	R/W	TTSE23 (0)	TTSE22 (0)	TTSE21 (0)	TTSE20 (0)	TTSE19 (0)	TTSE18 (0)	TTSE17 (0)	TTSE16 (0)	692	C92
FRM_PR51	R/W	TTSE15 (0)	TTSE14 (0)	TTSE13 (0)	TTSE12 (0)	TTSE11 (0)	TTSE10 (0)	TTSE9 (0)	TTSE8 (0)	693	C93
FRM_PR52	R/W	TTSE7 (0)	TTSE6 (0)	TTSE5 (0)	TTSE4 (0)	TTSE3 (0)	TTSE2 (0)	TTSE1 (0)	TTSE0 (0)	694	C94
FRM_PR53	R/W	RTSE31 (0)	RTSE30 (0)	RTSE29 (0)	RTSE28 (0)	RTSE27 (0)	RTSE26 (0)	RTSE25 (0)	RTSE24 (0)	695	C95
FRM_PR54	R/W	RTSE23 (0)	RTSE22 (0)	RTSE21 (0)	RTSE20 (0)	RTSE19 (0)	RTSE18 (0)	RTSE17 (0)	RTSE16 (0)	696	C96
FRM_PR55	R/W	RTSE15 (0)	RTSE14 (0)	RTSE13 (0)	RTSE12 (0)	RTSE11 (0)	RTSE10 (0)	RTSE9 (0)	RTSE8 (0)	697	C97
FRM_PR56	R/W	RTSE7 (0)	RTSE6 (0)	RTSE5 (0)	RTSE4 (0)	RTSE3 (0)	RTSE2 (0)	RTSE1 (0)	RTSE0 (0)	698	C98
FRM_PR57	R/W	THS31 (0)	THS30 (0)	THS29 (0)	THS28 (0)	THS27 (0)	THS26 (0)	THS25 (0)	THS24 (0)	699	C99
FRM_PR58	R/W	THS23 (0)	THS22 (0)	THS21 (0)	THS20 (0)	THS19 (0)	THS18 (0)	THS17 (0)	THS16 (0)	69A	C9A
FRM_PR59	R/W	THS15 (0)	THS14 (0)	THS13 (0)	THS12 (0)	THS11 (0)	THS10 (0)	THS9 (0)	THS8 (0)	69B	C9B
FRM_PR60	R/W	THS7 (0)	THS6 (0)	THS5 (0)	THS4 (0)	THS3 (0)	THS2 (0)	THS1 (0)	THS0 (0)	69C	C9C
FRM_PR61	R/W	RHS31 (0)	RHS30 (0)	RHS29 (0)	RHS28 (0)	RHS27 (0)	RHS26 (0)	RHS25 (0)	RHS24 (0)	69D	C9D
FRM_PR62	R/W	RHS23 (0)	RHS22 (0)	RHS21 (0)	RHS20 (0)	RHS19 (0)	RHS18 (0)	RHS17 (0)	RHS16 (0)	69E	C9E
FRM_PR63	R/W	RHS15 (0)	RHS14 (0)	RHS13 (0)	RHS12 (0)	RHS11 (0)	RHS10 (0)	RHS9 (0)	RHS8 (0)	69F	C9F
FRM_PR64	R/W	RHS7 (0)	RHS6 (0)	RHS5 (0)	RHS4 (0)	RHS3 (0)	RHS2 (0)	RHS1 (0)	RHS0 (0)	6A0	CA0
FRM_PR65	R/W	Reserved (0)	Reserved (0)	Reserved (0)	Reserved (0)	Reserved (0)	Reserved (0)	TCHIDTS (0)	TBYOFF6 (0)	6A1	CA1
FRM_PR66	R/W	Reserved (0)	Reserved (0)	Reserved (0)	Reserved (0)	Reserved (0)	Reserved (0)	RCHIDTS (0)	RBYOFF6 (0)	6A2	CA2
FRM_PR67	—	Reserved	Reserved	Reserved	Reserved	Reserved	Reserved	Reserved	Reserved	6A3	CA3
FRM_PR68	—	Reserved	Reserved	Reserved	Reserved	Reserved	Reserved	Reserved	Reserved	6A4	CA4
FRM_PR69	R/W	GPTRN3 (0)	GPTRN2 (0)	GPTRN1 (0)	GPTRN0 (0)	GFRMSEL (0)	GBLKSEL (0)	TPEI (0)	ITD (0)	6A5	CA5
FRM_PR70	R/W	DPTRN3 (0)	DPTRN2 (0)	DPTRN1 (0)	DPTRN0 (0)	DUFTP (0)	DBLKSEL (0)	reserved (0)	IRD (0)	6A6	CA6

Register Maps (continued)

Transmit Signaling Registers (Read/Write)

Table 204. Transmit Signaling Registers Map

Transmit Signaling	Read (R) Write (W)	Bit 7	Bit 6*	Bit 5*	Bit 4†	Bit 3‡	Bit 2‡	Bit 1§	Bit 0	Register Address (hexadecimal)	
										Framer 1	Framer 2
FRM_TSR0**	R/W	P	G_0	F_0	—	D_0	C_0	B_0	A_0	6E0	CE0
FRM_TSR1	R/W	P	G_1	F_1	—	D_1	C_1	B_1	A_1	6E1	CE1
FRM_TSR2	R/W	P	G_2	F_2	—	D_2	C_2	B_2	A_2	6E2	CE2
FRM_TSR3	R/W	P	G_3	F_3	—	D_3	C_3	B_3	A_3	6E3	CE3
FRM_TSR4	R/W	P	G_4	F_4	—	D_4	C_4	B_4	A_4	6E4	CE4
FRM_TSR5	R/W	P	G_5	F_5	—	D_5	C_5	B_5	A_5	6E5	CE5
FRM_TSR6	R/W	P	G_6	F_6	—	D_6	C_6	B_6	A_6	6E6	CE6
FRM_TSR7	R/W	P	G_7	F_7	—	D_7	C_7	B_7	A_7	6E7	CE7
FRM_TSR8	R/W	P	G_8	F_8	—	D_8	C_8	B_8	A_8	6E8	CE8
FRM_TSR9	R/W	P	G_9	F_8	—	D_8	C_8	B_8	A_8	6E9	CE9
FRM_TSR10	R/W	P	G_10	F_10	—	D_10	C_10	B_10	A_10	6EA	CEA
FRM_TSR11	R/W	P	G_11	F_11	—	D_11	C_11	B_11	A_11	6EB	CEB
FRM_TSR12	R/W	P	G_12	F_12	—	D_12	C_12	B_12	A_12	6EC	CEC
FRM_TSR13	R/W	P	G_13	F_13	—	D_13	C_13	B_13	A_13	6ED	CED
FRM_TSR14	R/W	P	G_14	F_14	—	D_14	C_14	B_14	A_14	6EE	CEE
FRM_TSR15	R/W	P	G_15	F_15	—	D_15	C_15	B_15	A_15	6EF	CEF
FRM_TSR16**	R/W	P	G_16	F_16	—	D_16	C_16	B_16	A_16	6F0	CF0
FRM_TSR17	R/W	P	G_17	F_17	—	D_17	C_17	B_17	A_17	6F1	CF1
FRM_TSR18	R/W	P	G_18	F_18	—	D_18	C_18	B_18	A_18	6F2	CF2
FRM_TSR19	R/W	P	G_19	F_19	—	D_19	C_19	B_19	A_19	6F3	CF3
FRM_TSR20	R/W	P	G_20	F_20	—	D_20	C_20	B_20	A_20	6F4	CF4
FRM_TSR21	R/W	P	G_21	F_21	—	D_21	C_21	B_21	A_21	6F5	CF5
FRM_TSR22	R/W	P	G_22	F_22	—	D_22	C_22	B_22	A_22	6F6	CF6
FRM_TSR23	R/W	P	G_23	F_23	—	D_23	C_23	B_23	A_23	6F7	CF7
FRM_TSR24††	R/W	P	X††	X	—	D_24	C_24	B_24	A_24	6F8	CF8
FRM_TSR25††	R/W	P	X	X	—	D_25	C_25	B_25	A_25	6F9	CF9
FRM_TSR26††	R/W	P	X	X	—	D_26	C_26	B_26	A_26	6FA	CFA
FRM_TSR27††	R/W	P	X	X	—	D_27	C_27	B_27	A_27	6FB	CFB
FRM_TSR28††	R/W	P	X	X	—	D_28	C_28	B_28	A_28	6FC	CFC
FRM_TSR29††	R/W	P	X	X	—	D_29	C_29	B_29	A_29	6FD	CFD
FRM_TSR30††	R/W	P	X	X	—	D_30	C_30	B_30	A_30	6FE	CFE
FRM_TSR31††	R/W	P	X	X	—	D_31	C_31	B_31	A_31	6FF	CFF

\* In the normal DS1 robbed-bit signaling modes, these bits define the corresponding receive channel signaling mode and are copied into the received signaling registers. In the CEPT signaling modes, these bits are ignored.

† These bits contain unknown data.

‡ In DS1 4-state and 2-state signaling modes, these bits contain unknown data.

§ In DS1 2-state signaling mode, these bits contain unknown data.

\*\* In the CEPT signaling modes, the A-, B-, C-, D-, and P-bit information of these registers contains unknown data.

†† In the DS1 signaling modes, these registers contain unknown data.

‡‡ Signifies known data.

## Register Maps (continued)

## Facility Data Link Parameter/Control and Status Registers (Read-Write)

Table 205. Facility Data Link Register Map

Transmit Signaling	Clear-On-Read (COR) Read (R) Write (W)	Bit 7	Bit 6	Bit 5	Bit 4	Bit 3	Bit 2	Bit 1	Bit 0	Register Address (hexadecimal)	
										Framer 1	Framer 2
FDL_PR0	R/W	FRANSIT3 (1)	FRANSIT2 (0)	FRANSIT1 (1)	FRANSIT0 (0)	Reserved (0)	Reserved (0)	FLAGS (0)	FDINT (0)	800	E00
FDL_PR1	R/W	FTPRM (0)	FRPF (0)	FTR (0)	FRR (0)	FTE (0)	FRE (0)	FLLB (0)	FRLB (0)	801	E01
FDL_PR2	R/W	FTBCRC (0)	FRIIE (0)	FROVIE (0)	FREOFIE (0)	FRFIE (0)	FTUNDIE (0)	FTEIE (0)	FTDIE (0)	802	E02
FDL_PR3	R/W	FTFC (0)	FTABT (0)	FTIL5 (0)	FTIL4 (0)	FTIL3 (0)	FTIL2 (0)	FTIL1 (0)	FTILO (0)	803	E03
FDL_PR4	R/W	FTD7 (0)	FTD6 (0)	FTD5 (0)	FTD4 (0)	FTD3 (0)	FTD2 (0)	FTD1 (0)	FTD0 (0)	804	E04
FDL_PR5	R/W	FTIC7 (0)	FTIC6 (0)	FTIC5 (0)	FTIC4 (0)	FTIC3 (0)	FTIC2 (0)	FTIC1 (0)	FTIC0 (0)	805	E05
FDL_PR6	R/W	FRANSIE (0)	Reserved (0)	FRIL5 (0)	FRIL4 (0)	FRIL3 (0)	FRIL2 (0)	FRIL1 (0)	FRILO (0)	806	E06
FDL_PR7	Reserved	Reserved	Reserved	Reserved	Reserved	Reserved	Reserved	Reserved	Reserved	—	—
FDL_PR8	R/W	FRMC7 (0)	FRMC6 (0)	FRMC5 (0)	FRMC4 (0)	FRMC3 (0)	FRMC2 (0)	FRMC1 (0)	FRMC0 (0)	808	E08
FDL_PR9	R/W	Reserved (0)	FTM (0)	FMATCH (0)	FALOCT (0)	FMSTAT (0)	FOCTOF2 (0)	FOCTOF1 (0)	FOCTOF0 (0)	809	E09
FDL_PR10	R/W	FTANSI (0)	Reserved (0)	FTANSI5 (0)	FTANSI4 (0)	FTANSI3 (0)	FTANSI2 (0)	FTANSI1 (0)	FTANSI0 (0)	80A	E0A
FDL_SR0	COR	FRANSI	FRIDL	FROVERU N	FREOF	FRF	FTUNDA BT	FTEM	FTDONE	80B	E0B
FDL_SR1	R	FTED	FTQS6	FTQS5	FTQS4	FTQS3	FTQS2	FTQS1	FTQS0	80C	E0C
FDL_SR2	R	FREOF	FRQS6	FRQS5	FRQS4	FRQS3	FRQS2	FRQS1	FRQS0	80D	E0D
FDL_SR3	R	0	0	X5	X4	X3	X2	X1	X0	80E	E0E
FDL_SR4	R	FRD7 (0)	FRD6 (0)	FRD5 (0)	FRD4 (0)	FRD3 (0)	FRD2 (0)	FRD1 (0)	FRD0 (0)	807	E07

## Absolute Maximum Ratings

Stresses in excess of the absolute maximum ratings can cause permanent damage to the device. These are absolute stress ratings only. Functional operation of the device is not implied at these or any other conditions in excess of those given in the operational sections of the data sheet. Exposure to absolute maximum ratings for extended periods can adversely affect device reliability.

Parameter	Symbol	Min	Max	Unit
VDD Supply Voltage Range	VDD	-0.5	7	V
Maximum Voltage (digital pins) with Respect to VDD	—	—	0.3	V
Minimum Voltage (digital pins) with Respect to GRND	—	-0.3	—	V
Maximum Allowable Voltages (RTIP, RRING) with Respect to VDD	—	—	0.5	V
Minimum Allowable Voltages (RTIP, RRING) with Respect to GRND	—	-0.5	—	V
Storage Temperature Range	T <sub>stg</sub>	-65	125	°C

## Operating Conditions

Parameter	Symbol	Min	Typ	Max	Unit
Power Supply	VDD	4.75	5.0	5.25	V
Power Dissipation	P <sub>D</sub>	—	500	750	mW
Ambient Temperature	T <sub>A</sub>	-40	—	85	°C

## Handling Precautions

Although protection circuitry has been designed into this device, proper precautions should be taken to avoid exposure to electrostatic discharge (ESD) during handling and mounting. Lucent employs a human-body model (HBM) and charged-device model (CDM) for ESD-susceptibility testing and protection design evaluation. ESD voltage thresholds are dependent on the circuit parameters used in the defined model. No industry wide standard has been adopted for the CDM. However, a standard HBM (resistance = 1500 Ω, capacitance = 100 pF) is widely used and, therefore, can be used for comparison purposes. The HBM ESD threshold presented here was obtained by using these circuit parameters.

**Table 206. ESD Threshold Voltage**

Device	Voltage
T7630	>1000 V

## Electrical Characteristics

### Logic Interface Characteristics

**Table 207. Logic Interface Characteristics** ( $T_A = -40\text{ }^\circ\text{C}$  to  $+85\text{ }^\circ\text{C}$ ,  $V_{DD} = 5.0\text{ V} \pm 5\%$ ,  $V_{SS} = 0$ )

Parameter	Symbol	Test Conditions	Min	Max	Unit
Input Voltage:					
Low	$V_{IL}$	$I_{IL} = -70\text{ }\mu\text{A}^*$	0	0.8	V
High	$V_{IH}$	$I_{IH} = 10\text{ }\mu\text{A}^\dagger$	2.1	$V_{DD}$	V
Input Leakage	IL	—	—	10	$\mu\text{A}$
Output Voltage:					
Low	$V_{OL}$	$I_{OL} = -5.0\text{ mA}^*$	0	0.4	V
High	$V_{OH}$	$I_{OH} = 5.0\text{ mA}^\dagger$	$V_{DD} - 0.5$	$V_{DD}$	V
Input Capacitance	$C_I$	—	—	3.0	pF
Load Capacitance <sup>‡</sup>	$C_L$	—	—	50	pF

\* Sinking.

† Sourcing.

‡ 100 pF allowed for AD[7:0] (pins 86 to 79) and A[11:0] (pins 98 to 87).

**Notes:**

All buffers use TTL levels.

All inputs are driven between 2.4 V and 0.4 V.

An internal 50 k $\Omega$  pull-up is provided on the  $\overline{3\text{-STATE}}$ ,  $\overline{\text{RESET}}$ ,  $\overline{\text{DS1/CEPT}}$ ,  $\overline{\text{FRAMER}}$ ,  $\overline{\text{SYSCLK}}$ ,  $\overline{\text{CKSEL}}$ ,  $\overline{\text{MPMODE}}$ ,  $\overline{\text{MPMUX}}$ ,  $\overline{\text{CS}}$ ,  $\overline{\text{MPCLK}}$ ,  $\overline{\text{JTAGTDI}}$ ,  $\overline{\text{JTAGTCK}}$ , and  $\overline{\text{JTAGTMS}}$  pins.An internal 50 k $\Omega$  pull-down is provided on the  $\overline{\text{JTAGRST}}$  pin.

## Power Supply Bypassing

External bypassing is required for each channel. A 1.0  $\mu\text{F}$  capacitor must be connected between  $V_{DDX}$  and  $\text{GRNDX}$ . In addition, a 0.1  $\mu\text{F}$  capacitor must be connected between  $V_{DD}$  and  $\text{GRND}$ , and a 0.1  $\mu\text{F}$  capacitor must be connected between  $V_{DDA}$  and  $\text{GRNDA}$ . Ground plane connections are required for  $\text{GRNDX}$ ,  $\text{GRND}$ , and  $\text{GRNDA}$ . Power plane connections are also required for  $V_{DDX}$  and  $V_{DD}$ . The need to reduce high-frequency coupling into the analog supply ( $V_{DDA}$ ) may require an inductive bead to be inserted between the power plane and the  $V_{DDA}$  pin of each channel.

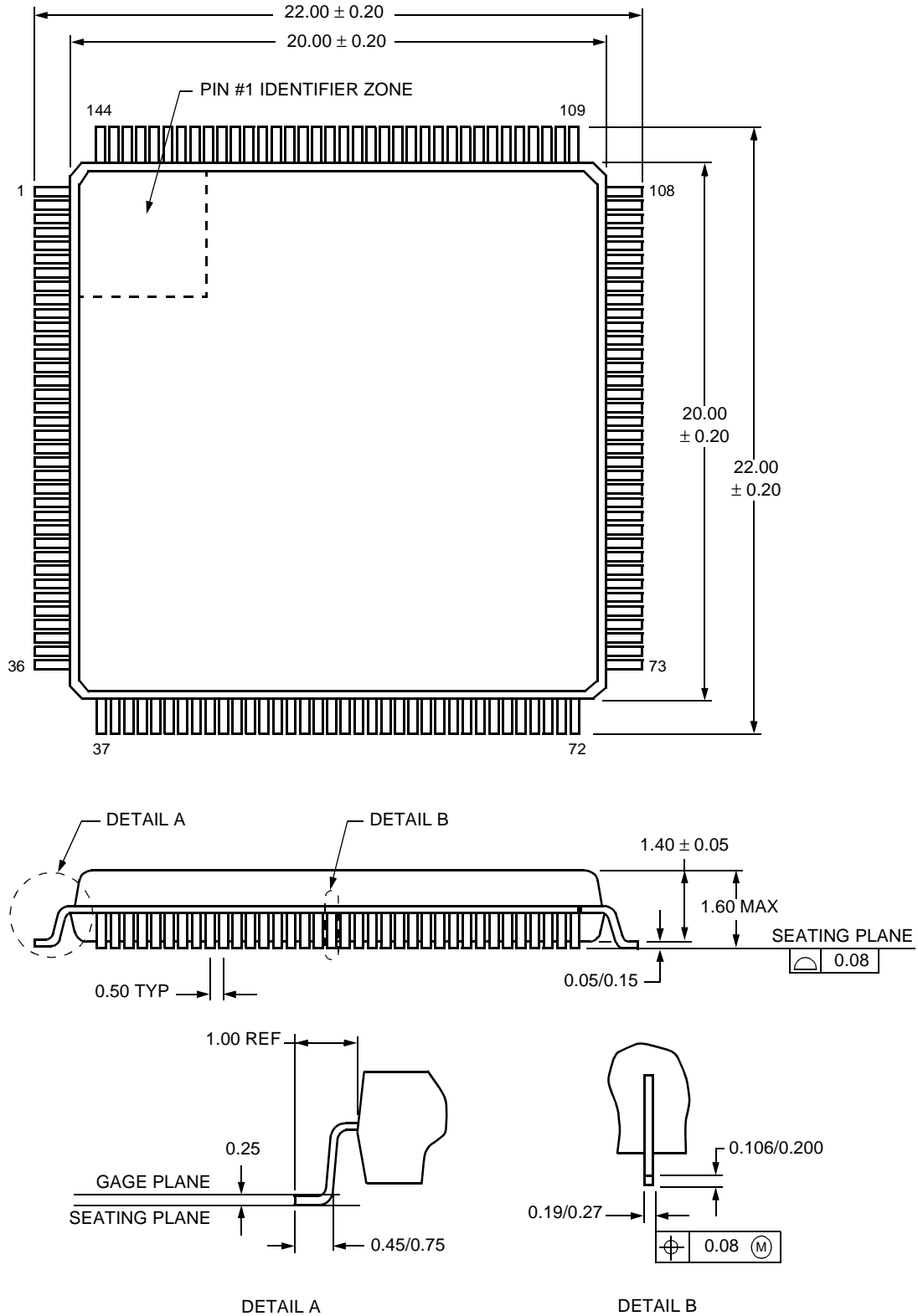
Capacitors used for power supply bypassing should be placed as close as possible to the device pins for maximum effectiveness.



### Outline Diagram

#### 144-Pin TQFP

Dimensions are in millimeters.



## Ordering Information

Device Code	Package	Temperature	Comcode (Ordering Number)
T - 7630 - - - TL - DB	144-Pin TQFP	-40 °C to +85 °C	107913337

For additional information, contact your Microelectronics Group Account Manager or the following:

INTERNET: <http://www.lucent.com/micro>, or for FPGA information, <http://www.lucent.com/orca>

E-MAIL: [docmaster@micro.lucent.com](mailto:docmaster@micro.lucent.com)

N. AMERICA: Microelectronics Group, Lucent Technologies Inc., 555 Union Boulevard, Room 30L-15P-BA, Allentown, PA 18109-3286  
1-800-372-2447, FAX 610-712-4106 (In CANADA: 1-800-553-2448, FAX 610-712-4106)

ASIA PACIFIC: Microelectronics Group, Lucent Technologies Singapore Pte. Ltd., 77 Science Park Drive, #03-18 Cintech III, Singapore 118256  
Tel. (65) 778 8833, FAX (65) 777 7495

CHINA: Microelectronics Group, Lucent Technologies (China) Co., Ltd., A-F2, 23/F, Zao Fong Universe Building, 1800 Zhong Shan Xi Road, Shanghai 200233 P. R. China Tel. (86) 21 6440 0468, ext. 325, FAX (86) 21 6440 0652

JAPAN: Microelectronics Group, Lucent Technologies Japan Ltd., 7-18, Higashi-Gotanda 2-chome, Shinagawa-ku, Tokyo 141, Japan  
Tel. (81) 3 5421 1600, FAX (81) 3 5421 1700

EUROPE: Data Requests: MICROELECTRONICS GROUP DATALINE: Tel. (44) 7000 582 368, FAX (44) 1189 328 148

Technical Inquiries: GERMANY: (49) 89 95086 0 (Munich), UNITED KINGDOM: (44) 1344 865 900 (Ascot),  
FRANCE: (33) 1 40 83 68 00 (Paris), SWEDEN: (46) 8 594 607 00 (Stockholm), FINLAND: (358) 9 3507670 (Helsinki),  
ITALY: (39) 02 6608131 (Milan), SPAIN: (34) 1 807 1441 (Madrid)

Lucent Technologies Inc. reserves the right to make changes to the product(s) or information contained herein without notice. No liability is assumed as a result of their use or application. No rights under any patent accompany the sale of any such product(s) or information. SLC is a registered trademark of Lucent Technologies.

