

Low Power ISM-Band FM/FSK Transmitter

Description

The SSTX4930 is a low-power 433/868/915 MHz FM/FSK transmitter IC suitable for use in the North American 915 MHz and European 433 and 868 MHz ISM bands. The SSTX4930 is intended as a phase-locked frequency source in local oscillator or transmitter applications.

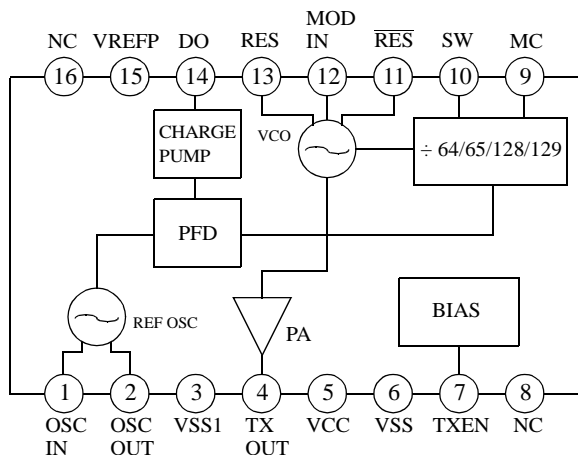
Features

- ◆ Integrated VCO with multi-modulus $\div 64/65/128/129$ prescaler, phase/frequency detector, and reference oscillator forming complete phase-locked loop
- ◆ Transmitter enable pin for power saving
- ◆ 2.7V to 5V supply voltage
- ◆ On-chip varactor diode for narrowband modulation
- ◆ SSOP-16 package (0.64mm pitch)

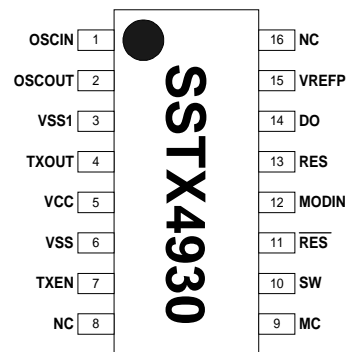
Applications

- ◆ Wireless mouse
- ◆ Wireless amplifier/ speaker/ headphone/ microphone
- ◆ Wireless car alarm system

Block Diagram



Pin Out Diagram



Pin Descriptions

Number	Name	I/O	Description
1	OSCIN	I	Connected directly to the reference oscillator transistor base.
2	OSCOU	O	Connected directly to the emitter of the reference oscillator transistor.
3	VSS1	GND	Ground for TXOUT.
4	TXOUT	O	Buffered output of the VCO.
5	VCC	POWER	DC power supply.
6	VSS	GND	Ground.
7	TXEN	I	Power-down control for all circuitry. When this pin is a logic "low", all circuits are turned off.
8	NC	NC	Not internally connected.
9	MC	I	Selects the prescaler modulus. A logic "high" selects 64 or 128 for the prescaler divisor. A logic "low" selects 65 or 129 for the divisor.
10	SW	I	Select the desired prescaler divisor. A logic "high" selects the 64/65 divisor. A logic "low" selects the 128/129 divisor.
11	$\overline{\text{RES}}$	I/O	Supply DC voltage to the VCO, as well as to tune the center frequency of the VCO.
12	MODIN	I	FM analog or digital modulation can be imparted to the VCO through this pin.
13	RES	I/O	See Pin 11.
14	DO	O	Output of the charge pump. An RC network from this pin to ground is used to establish the PLL bandwidth.
15	VREFP	O	Bias voltage reference pin for bypassing the prescaler and phase detector.
16	NC	NC	Not internally connected.

Absolute Maximum Ratings

$$V_{SS} = V_{SS1} = 0 \text{ V}$$

Parameter	Symbol	Rating	Unit
Supply Voltage	V_{CC}	2.2 to 6	V
Operating Temperature Range	T_{OPR}	-40 to 85	°C
Storage Temperature Range	T_{STG}	-40 to 150	°C
Soldering Temperature Range	T_{SLD}	255	°C
Soldering Time Range	t_{SLD}	10	s

Recommended Operating Conditions

$$V_{SS} = V_{SS1} = 0 \text{ V}$$

Parameter	Symbol	Value			Unit
		min.	typ.	max.	
Supply Voltage Range	V_{CC}	2.7	3.6	5.0	V
Operating Temperature	T_A	-10	25	60	°C

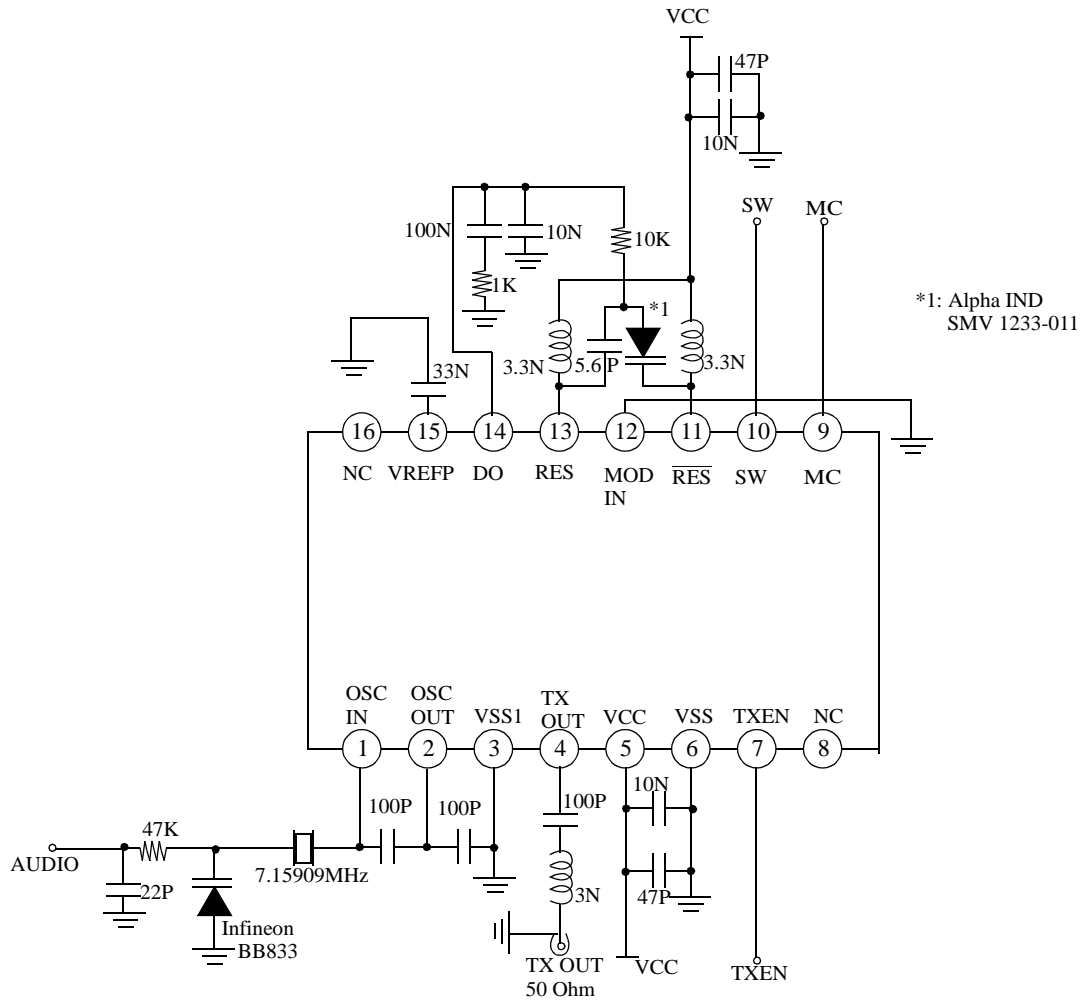
Electrical Characteristics

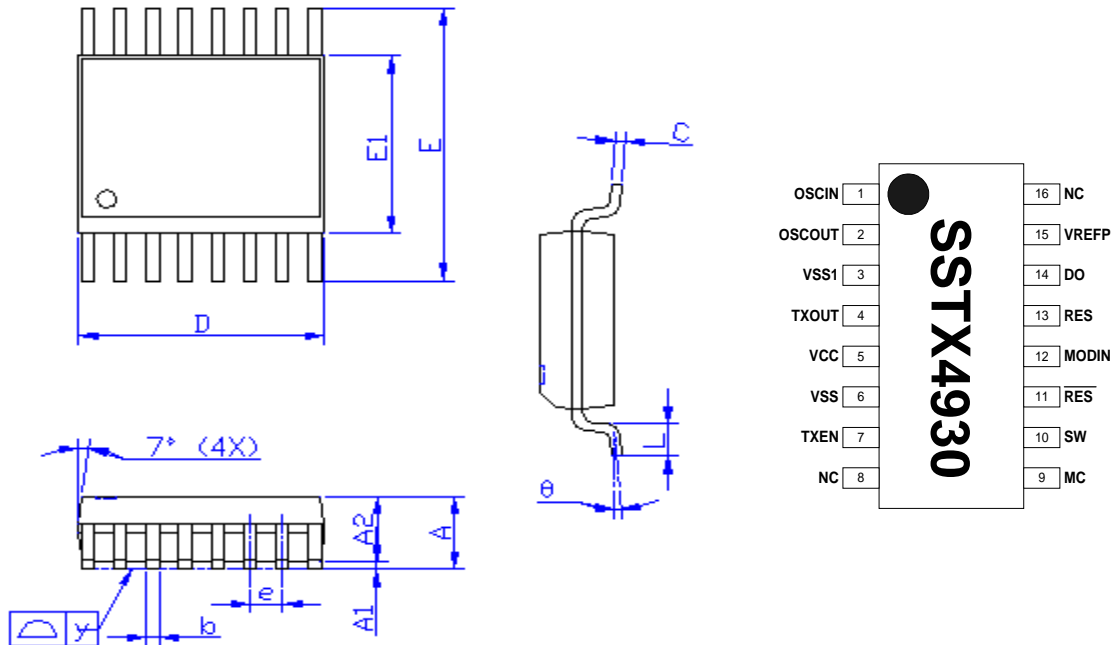
($V_{CC} = 2.7$ to 5V , $V_{SS} = V_{SS1} = 0\text{V}$, TXEN = high, $T_A = -10$ to 60°C , $f_{RF} = 915\text{MHz}$ unless otherwise noted)

Parameter	Symbol	Condition	Value			Unit
			min.	typ.	max.	
VCC Supply Voltage	V_{CC}		2.2	3	5	V
Total Consumption Current	I_{CC}	$V_{CC} = 3.3\text{V}$		12.5	14	mA
Power-down I_{CC}					1	μA
Output Power	P_{out}	$V_{CC} = 3.3\text{V}$		-3		dBm
Phase Noise		Offset 10KHz, 5KHz loop BW		-80		dBc/Hz
Harmonics		with output matching		-27		dBm
Crystal Frequency Spurs		5KHz loop BW		-50		dBc
Charge Pump Current			-40		40	μA

Application Circuit (915 MHz)

(Audio Transmitter)



Package and Pin Assignment: SSOP-16


Symbols	Dimensions in mm			Dimensions in inch		
	min.	nom.	max.	min.	nom.	max.
A	1.35	1.60	1.75	0.053	0.064	0.069
A1	0.10	—	0.25	0.004	—	0.010
A2	—	1.45	—	—	0.057	—
b	0.20	0.25	0.30	0.008	0.010	0.012
C	0.19	—	0.25	0.007	—	0.010
D	4.80	—	5.00	0.189	—	0.197
E	5.80	—	6.20	0.228	—	0.244
E1	3.80	—	4.00	0.150	—	0.157
e	—	0.64	—	—	0.025	—
L	0.40	—	1.27	0.016	—	0.050
y	—	—	0.10	—	—	0.004
θ	0°	—	8°	0°	—	8°

Information furnished by Silicon Standard Corporation is believed to be accurate and reliable. However, Silicon Standard Corporation makes no guarantee or warranty, express or implied, as to the reliability, accuracy, timeliness or completeness of such information and assumes no responsibility for its use, or for infringement of any patent or other intellectual property rights of third parties that may result from its use. Silicon Standard reserves the right to make changes as it deems necessary to any products described herein for any reason, including without limitation enhancement in reliability, functionality or design. No license is granted, whether expressly or by implication, in relation to the use of any products described herein or to the use of any information provided herein, under any patent or other intellectual property rights of Silicon Standard Corporation or any third parties.