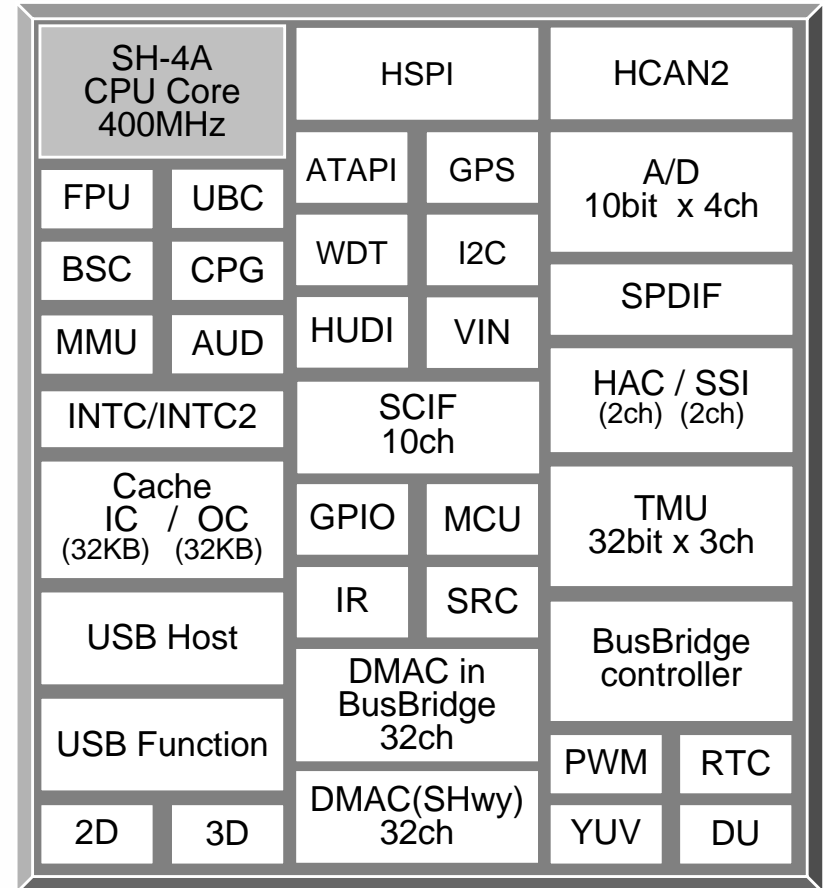


# Outline of SH7770



## Features

- **CPU** SH-4A Core (2-way Superscalar, 7-stage pipeline)
- **Operating Frequency** 400MHz
- **Performance** Integer : 720MIPS@400MHz  
Floating point : 2.8GFLOPS@400MHz
- **Power Supply Voltage** 1.25V (for Core)  
2.5V (for DDR-SDRAM I/F)  
3.3V (for I/O)
- **Cache** IC : 32KB(instruction) + OC : 32KB(data)
- **Graphics/Video** DU(854 x 480 dot(16bit pixel))  
2DG(253M pixel/s @100MHz)  
3DG(3.1M polygon/s), VIN, YUV
- **GPS Base Band** GPS
- **Audio I/F** HAC, SSI(4ch), SPDIF
- **USB** USB host/USB function
- **CAN2.0B** HCAN2
- **ATAPI** ATAPI
- **Other I/F** I2C, HSPI(2ch), SCIF(10ch), IR, GPIO
- **Other Internal Peripheral Functions**  
RTC, PWM, TMU(32bit x 9ch)  
ADC(10bit x 4ch(Max)), SRC
- **Operating Ambient Temperature**  
- 40 to 85 °C
- **Package** BGA520



## Block Diagram

\*Some pins of some modules are multiplied.

You can not use some functions at the same time.

Please check Hardware manual for details.

HCAN: Controller Area Network

I2C: Internal IC bus

SCIF: Serial Communication Interface

VIN: Video IN

RTC: Real Time Clock

HSPI: Serial Peripheral Interface

PWM: Pulse Width Modulation

UBC: User Break Controller

SSI: Serial Sound Interface

MCU: Memory Controller Unit

IR: Infrared

GPIO: General Purpose I/O

HAC: Audio Codec

TMU: TiMer Unit

DU: Display Unit

SPDIF: Sony Philips Digital Interface

SRC: Source Rate Converter

HUDI: User Debug Interface

CPG: Clock Pulse Generator

REJ99B0049-0500b