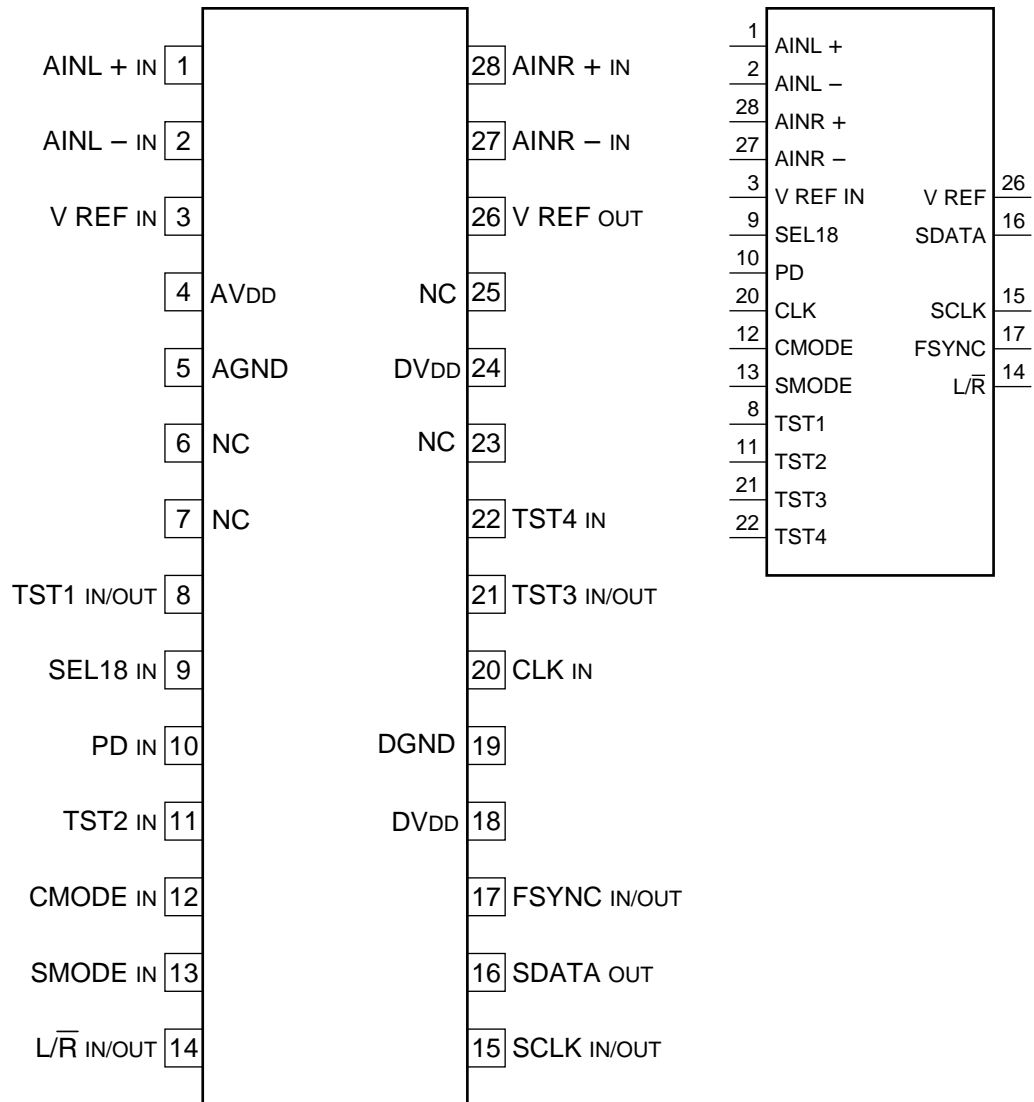


C-MOS 18-BIT 2 CHANNEL A/D CONVERTER

—TOP VIEW—



AVDD, AGND : FOR ANALOG BLOCK

DVDD, DGND : FOR DIGITAL BLOCK

INPUT

AINL + ; L-CH ANALOG POSITIVE INPUT
 AINL – ; L-CH ANALOG NEGATIVE INPUT
 AINR + ; R-CH ANALOG POSITIVE INPUT
 AINR – ; R-CH ANALOG NEGATIVE INPUT
 CLK ; MASTER CLOCK
 (CMODE = H : 384 fs)
 (CMODE = L : 256 fs)
 CMODE ; MASTER CLOCK SELECT
 (L : CLK = 256 fs, 12.288 MHz @fs = 48 kHz)
 (H : CLK = 384 fs, 18.432 MHz @fs = 48 kHz)
 PD ; POWER DOWN FOR DIGITAL SECTION
 SEL 18 ; 18/16 BIT SELECT (L : 16-BIT, H : 18-BIT)
 SMODE ; INTERFACE CLOCK SELECT
 (L : SUB MODE)
 (H : MASTER MODE)
 TST 2, 4 ; TEST
 V REF IN ; REFERENCE VOLTAGE

OUTPUT

SDATA ; SERIAL DATA
 V REF ; REFERENCE VOLTAGE (–2.5V)

INPUT/OUTPUT

FSYNC ; FRAME SYNC CLOCK
 (SUB MODE : FSYNC INPUT)
 (MASTER MODE : FSYNC OUTPUT)
 L/R ; INPUT CHANNEL SELECT
 (SUB MODE : fs CLK INPUT)
 (MASTER MODE : fs CLK OUTPUT)
 SCLK ; SERIAL DATA CLOCK
 (SUB MODE : SCLK INPUT)
 (MASTER MODE : SCLK OUTPUT)
 TST 1, 3 ; TEST

