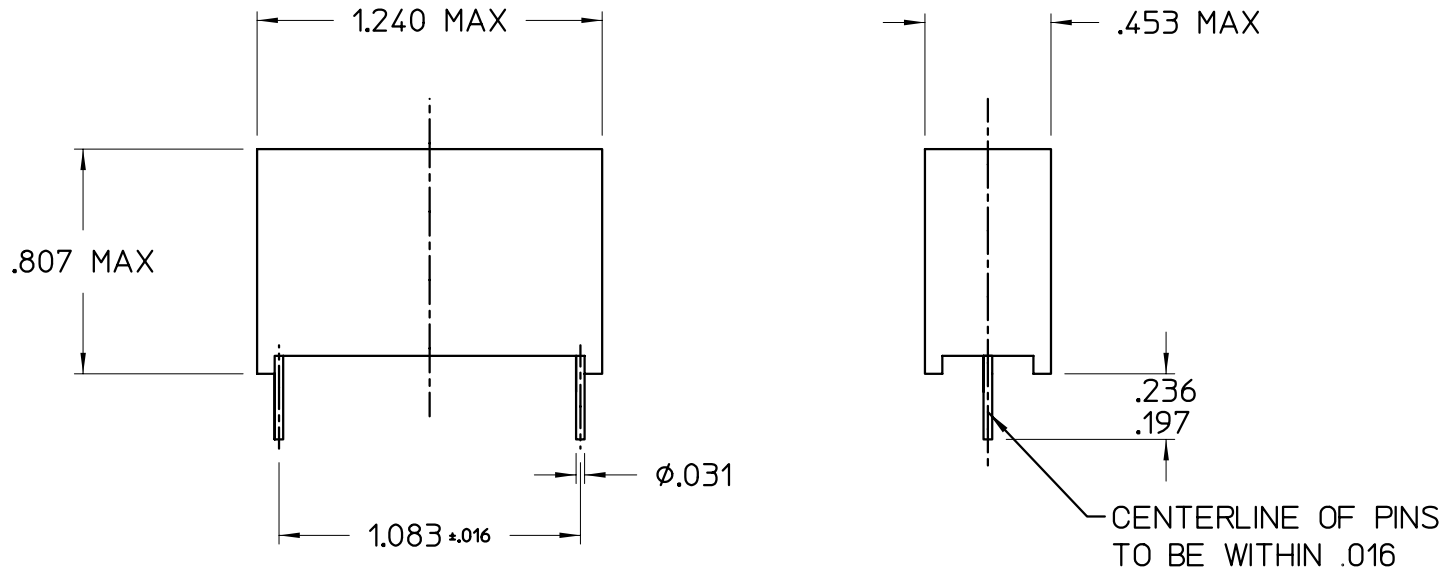


VICOR CONFIDENTIAL

THIS DOCUMENT AND THE DATA DISCLOSED
HEREIN OR HEREWITH IS NOT TO BE REPRODUCED,
USED, OR DISCLOSED IN WHOLE OR IN PART
TO ANYONE WITHOUT PERMISSION OF VICOR CORP.

REV.	DESCRIPTION	DATE	APPROVED
01	DRAWN & RELEASED PER E940399 RCM		



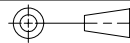
NOTES:

1. COATING: PLASTIC CAN: EPOXY RESIN SEALED, FLAME RETARDANT COATING
2. LEADS: RADIAL; TINNED COPPER WIRE
3. RATED VOLTAGE: 250VAC, 50/60 HZ
4. APPROVALS: VDE, SEV, DEMKO, SEMKO, NEMKO SETI, UL RECOGNIZED, IMQ, OVE

UNLESS OTHERWISE SPECIFIED
DIMENSIONS ARE IN INCHES
TOLERANCES ARE:

FRACTIONS	DECIMALS	ANGLES
± 1/64	.XX ± .01	± 1°
	.XXX ± .005	

THIRD ANGLE PROJECTION



DO NOT SCALE DRAWING

APPROVALS	DATE
DRAWN: RCM	6/22/94
CHECKED:	



CAP, FILM, SUPPRESSION,
.47uF, 20%, 250VAC

SIZE	FSCM NO.	DWG. NO.	REV.
B	67131	03047	01
SCALE 2X		SHEET 1 OF 1	