



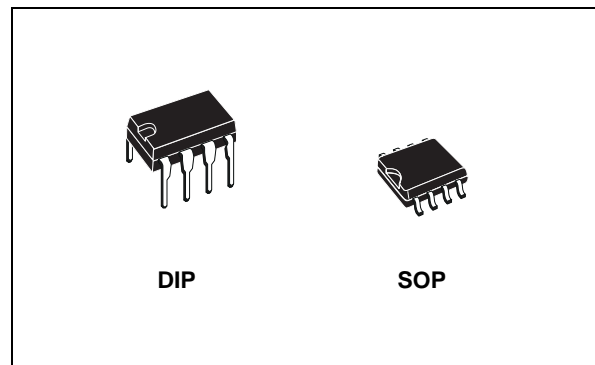
ST485A

VERY HIGH SPEED LOW POWER RS-485/RS-422 TRANSCEIVER

- LOW SUPPLY CURRENT: 5mA MAX
- HIGH DATA RATE > 30Mbps
- DESIGNED FOR RS 485 INTERFACE APPLICATIONS
- -7 TO 12 COMMON MODE INPUT VOLTAGE RANGE
- DRIVER MANTAINS HIGH IMPEDANCE IN 3-STATE OR WITH THE POWER OFF
- 70mV TYPICAL INPUT HYSTERESIS
- OPERATE FROM SINGLE 5 SUPPLY
- ± 4 kV ESD PROTECTION
- CURRENT LIMITING AND THERMAL SHUTDOWN FOR DRIVER OVERLOAD PROTECTION
- LATCH-UP FREE UP TO 500mA

DESCRIPTION

The ST485A is a low power, high speed transceiver for RS-485 and RS-422 communications. The device contains one driver and one receiver in half duplex configuration. The ST485A draws 3mA (typ.) of supply current when



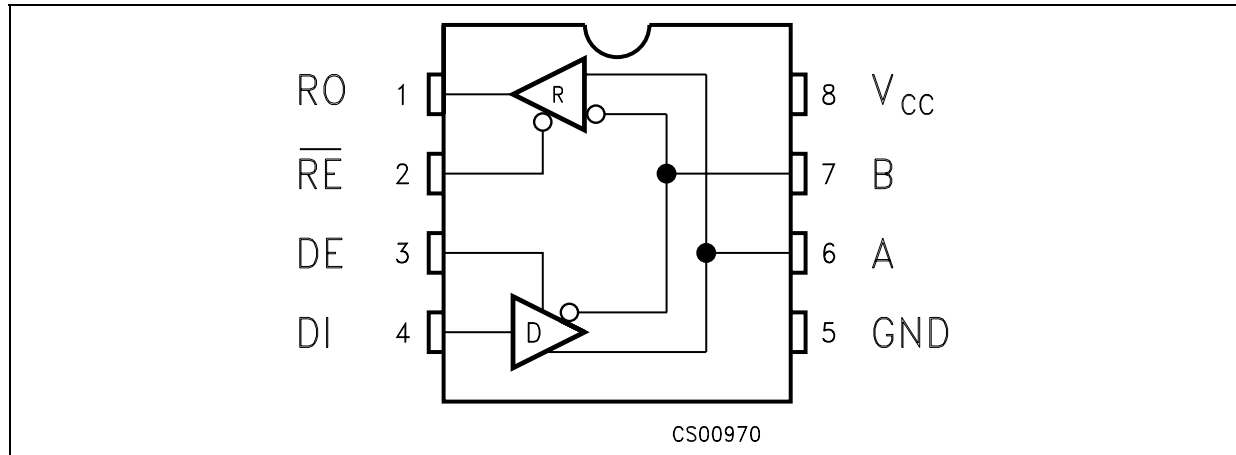
unloaded or fully loaded with disabled drivers. It operates from a single 5V supply.

Driver is short-circuit current limited and is protected against excessive power dissipation by thermal shutdown circuitry that place the driver outputs into a high-impedance state. The receiver input has a fail-safe feature that guarantees a logic high output if both inputs are open circuit. The ST485A is designed for bi-directional data communications or multipoint bus transmission lines.

ORDERING CODES

Type	Temperature Range	Package	Comments
ST485ACN	0 to 70 °C	DIP-8	50parts per tube / 40tube per box
ST485ABN	-40 to 85 °C	DIP-8	50parts per tube / 40tube per box
ST485ACD	0 to 70 °C	SO-8 (Tube)	100parts per tube / 20tube per box
ST485ABD	-40 to 85 °C	SO-8 (Tube)	100parts per tube / 20tube per box
ST485ACDR	0 to 70 °C	SO-8 (Tape & Reel)	2500 parts per reel
ST485ABDR	-40 to 85 °C	SO-8 (Tape & Reel)	2500 parts per reel

PIN CONFIGURATION



PIN DESCRIPTION

PIN N°	SYMBOL	NAME AND FUNCTION
1	RO	Receiver Output. If A>B by 200mV, RO will be high; if A<B by 200mV, RO will be low
2	\overline{RE}	Receiver Output Enable. RO is enabled when RE is low; RO is high impedance when RE is high. If RE is high and DE is low, the device will enter a low power shutdown mode.
3	DE	Driver Output Enable. The driver outputs are enabled by bringing DE high. They are high impedance when DE is low. If RE is high DE is low, the device will enter a low-power shutdown mode. If the driver outputs are enabled, the part functions as line driver, while they are high impedance, it functions as line receivers if RE is low.
4	DI	Driver Input. A low on DI forces output A low and output B high. Similarly, a high on DI forces output A high and output B low
5	GND	Ground
6	A	Non-inverting Receiver Input and Non-inverting Driver Output
7	B	Inverting Receiver Input and Inverting Driver Output
8	V _{CC}	Supply Voltage: V _{CC} = 4.75V to 5.25V

TRUTH TABLE (DRIVER)

INPUTS			OUTPUTS		MODE
\overline{RE}	DE	DI	B	A	
X	H	H	L	H	Normal
X	H	L	H	L	Normal
L	L	X	Z	Z	Normal

X= Don't Care; Z=High Impedance

TRUTH TABLE (RECEIVER)

INPUTS			OUTPUT	MODE
\overline{RE}	DE	A-B	RO	
L	L	$\geq -0.2V$	H	Normal
L	L	$\leq -0.2V$	L	Normal
L	L	Inputs Open	H	Normal

X= Don't Care; Z=High Impedance

ABSOLUTE MAXIMUM RATINGS

Symbol	Parameter	Value	Unit
V_{CC}	Supply Voltage	7	V
V_I	Control Input Voltage (RE, DE)	-0.3 to 7	V
V_{DI}	Driver Input Voltage (DI)	-0.3 to 7	V
V_{DO}	Driver Output Voltage (A, B)	-7.5 to 12.5	V
V_{RI}	Receiver Input Voltage (A, B)	-7.5 to 12.5	V
V_{RO}	Receiver Output Voltage (RO)	-0.3 to ($V_{CC} + 0.3$)	V

Absolute Maximum Ratings are those values beyond which damage to the device may occur. Functional operation under these condition is not implied.

ELECTRICAL CHARACTERISTICS

$V_{CC} = 4.5V$ to $5.5V$, $T_A = -40$ to $85^\circ C$, unless otherwise specified. Typical values are referred to $T_A = 25^\circ C$, $V_{CC} = 5V$) (See Note 1)

Symbol	Parameter	Test Conditions	Min.	Typ.	Max.	Unit	
I_{SUPPLY}	V_{CC} Power Supply Current	No Load, $V_{RE}=0V$ or V_{CC}	$V_{DE}=V_{CC}$		2.3	5	mA
			$V_{DE}=0V$		2.6	5	mA
$C_{I/O}$	Input/Output Capacitance			10		pF	
C_{AB}	Driver Output Capacity			10		pF	

LOGIC INPUT ELECTRICAL CHARACTERISTICS

$V_{CC} = 4.5V$ to $5.5V$, $T_A = -40$ to $85^\circ C$, unless otherwise specified. Typical values are referred to $T_A = 25^\circ C$, $V_{CC} = 5V$) (See Note 1)

Symbol	Parameter	Test Conditions	Min.	Typ.	Max.	Unit
V_{IL}	Input Logic Threshold Low	DE, DI, RE			0.8	V
V_{IH}	Input Logic Threshold High	DE, DI, RE	2			V
I_{IN1}	Logic Input Current	DE, DI, RE			± 2.0	μA
I_{IN2}	Input Current (A, B)	$V_{DE}=0V$, $V_{CC}= 0$ or $5.25V$	$V_{IN}=12V$		1	mA
			$V_{IN}=-7V$		-0.8	mA

TRANSMITTER ELECTRICAL CHARACTERISTICS

$V_{CC} = 4.5V$ to $5.5V$, $T_A = -40$ to $85^\circ C$, unless otherwise specified. Typical values are referred to $T_a = 25^\circ C$, $V_{CC} = 5V$) (See Note 1)

Symbol	Parameter	Test Conditions	Min.	Typ.	Max.	Unit
V_{OD1}	Differential Driver Output (No load)				5	V
V_{OD2}	Differential Driver Output (With Load)	$R_L = 54\Omega$ (RS-422) $V_{CM} = -7V$ to $12V$	1.5	2.7	5	V
ΔV_{OD}	Change in magnitude of Driver Differential Output Voltage for Complementary Output States (Note1)	$R_L = 27\Omega$ or 50Ω		0	0.2	V
V_{OC}	Driver Common Mode Output Voltage	$R_L = 27\Omega$ or 50Ω	1		3	V
ΔV_{OC}	Change in magnitude of Driver Common Mode Output Voltage (Note1)	$R_L = 54\Omega$ or 100Ω		0	0.2	V
I_{OSD}	Driver Short Circuit Output Current	$V_O = -7V$ to $12V$			± 250	mA

RECEIVER ELECTRICAL CHARACTERISTICS

$V_{CC} = 4.5V$ to $5.5V$, $T_A = -40$ to $85^\circ C$, unless otherwise specified. Typical values are referred to $T_a = 25^\circ C$, $V_{CC} = 5V$) (See Note 1)

Symbol	Parameter	Test Conditions	Min.	Typ.	Max.	Unit
V_{TH}	Receiver Differential Threshold Voltage	$V_{CM} = -7V$ to $12V$	-0.2		0.2	V
ΔV_{TH}	Receiver Input Hysteresis	$V_{CM} = 0V$		70		mV
V_{OH}	Receiver Output High Voltage	$I_{OUT} = -4mA$, $V_{ID} = 200mV$	3.5	4.7		V
V_{OL}	Receiver Output Low Voltage	$I_{OUT} = 4mA$, $V_{ID} = -200mV$		0.2	0.4	V
I_{OZR}	3-State (High Impedance) Output Current at Receiver	$V_O = 0.4V$ to $2.4V$			± 1	μA
R_{RIN}	Receiver Input Resistance	$V_{CM} = -7V$ to $12V$	12	24		$K\Omega$
I_{OSR}	Receiver Short-Circuit Current	$V_O = 0V$ to V_{CC}	7		95	mA

DRIVER SWITCHING CHARACTERISTICS

$V_{CC} = 4.5V$ to $5.5V$, $T_A = -40$ to $85^\circ C$, unless otherwise specified. Typical values are referred to $T_a = 25^\circ C$, $V_{CC} = 5V$) (See Note 1, 3)

Symbol	Parameter	Test Conditions	Min.	Typ.	Max.	Unit
D_R	Maximum Data Rate	Jitter <5%	30	50		Mbps
t_{PLH} t_{PHL}	Propagation Delay Input to Output	$R_L = 54\Omega$ $C_{L1}=C_{L2}=50pF$, (Figure 1)		18	30	ns
t_{SKEW}	Differential Output Delay Skew	$R_L = 54\Omega$ $C_{L1}=C_{L2}=50pF$, (Figure 1)		0.5	2	ns
t_{TLH} t_{THL}	Rise or Fall Differential Time	$R_L = 54\Omega$ $C_{L1}=C_{L2}=50pF$, (Figure 1)		8	12	ns
t_{PZL}	Output Enable Time	$C_L = 50pF$ S1 Closed			30	ns
t_{PZH}	Output Enable Time	$C_L = 50pF$ S2 Closed			30	ns
t_{PHZ}	Output Disable Time	$C_L = 15pF$ S2 Closed			30	ns
t_{PLZ}	Output Disable Time	$C_L = 15pF$ S1 Closed			30	ns
$t_{SK(EN)}$	Synchronous Driver Operation A-B at Enable				2	ns
$t_{SK(DS)}$	Synchronous Driver Operation A-B at Disable			4	6	ns

RECEIVER SWITCHING CHARACTERISTICS

$V_{CC} = 4.5V$ to $5.5V$, $T_A = -40$ to $85^\circ C$, unless otherwise specified. Typical values are referred to $T_a = 25^\circ C$, $V_{CC} = 5V$) (See Note 1, 3)

Symbol	Parameter	Test Conditions	Min.	Typ.	Max.	Unit
t_{PLH} t_{PHL}	Propagation Delay	$C_L = 15pF$		18	30	ns
t_{RPDS}	$ t_{PLH} - t_{PHL} $ Propagation Delay Skew	$C_L = 15pF$		0.5	2	ns
t_{PZL}	Output Enable Time	$C_{RL} = 15pF$ S1 Closed		7	12	ns
t_{PZH}	Output Enable Time	$C_{RL} = 15pF$ S2 Closed		7	12	ns
t_{PHZ}	Output Disable Time	$C_{RL} = 15pF$ S2 Closed		7	12	ns
t_{PLZ}	Output Disable Time	$C_{RL} = 15pF$ S1 Closed		7	12	ns

Note 1: All currents into device pins are positive; all currents out of device pins are negative; all voltages are referenced to device ground unless specified.

Note 2: Applies to peak current. See typical Operating Characteristics.

Note 3: $t_r = t_f \leq 6ms$

TEST CIRCUITS AND TYPICAL CHARACTERISTICS

Figure 1 : Driver DC Test Load

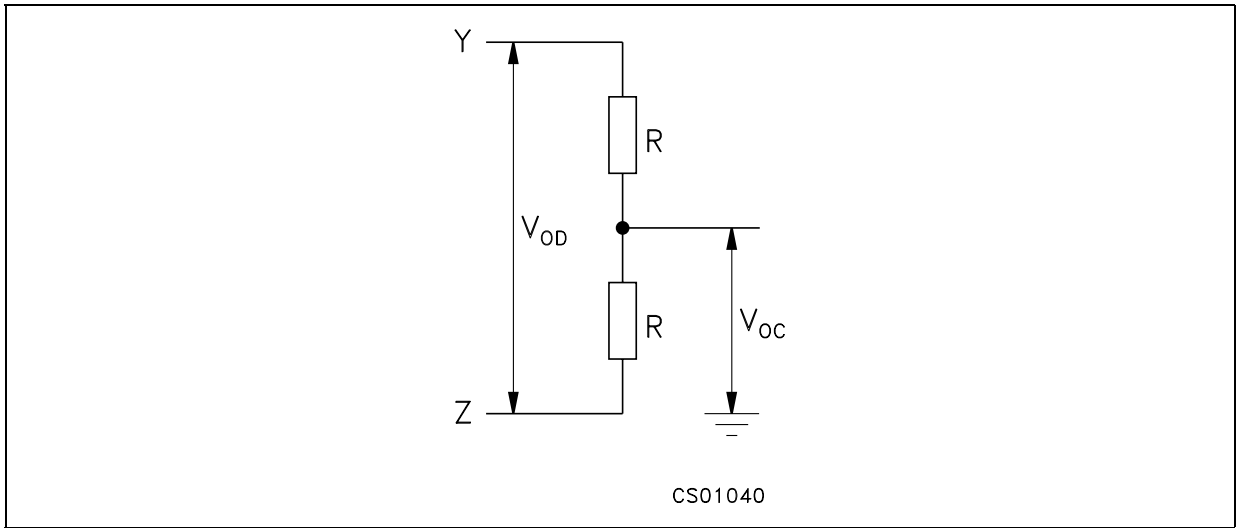


Figure 2 : Receiver Timing Test Load

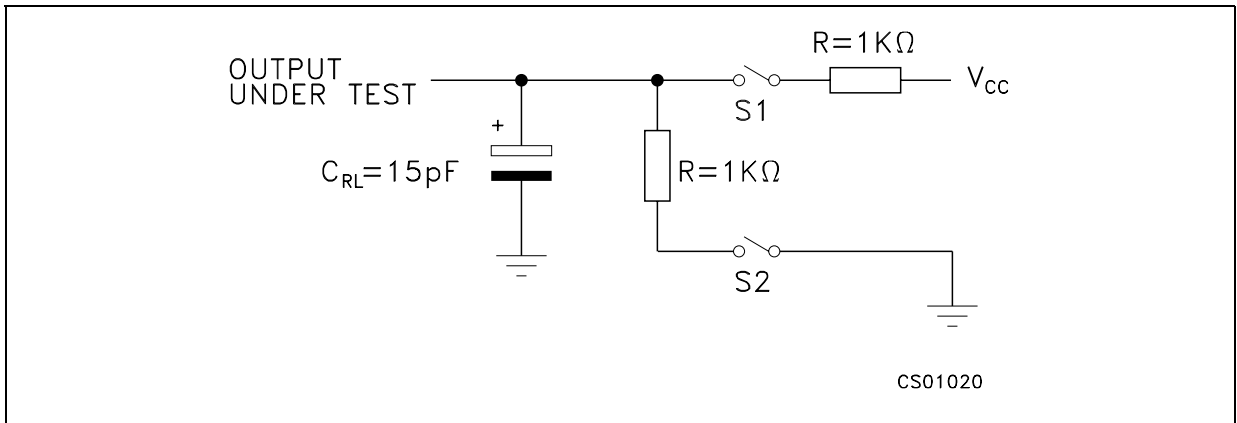


Figure 3 : Drive/Receiver Timing Test Circuit

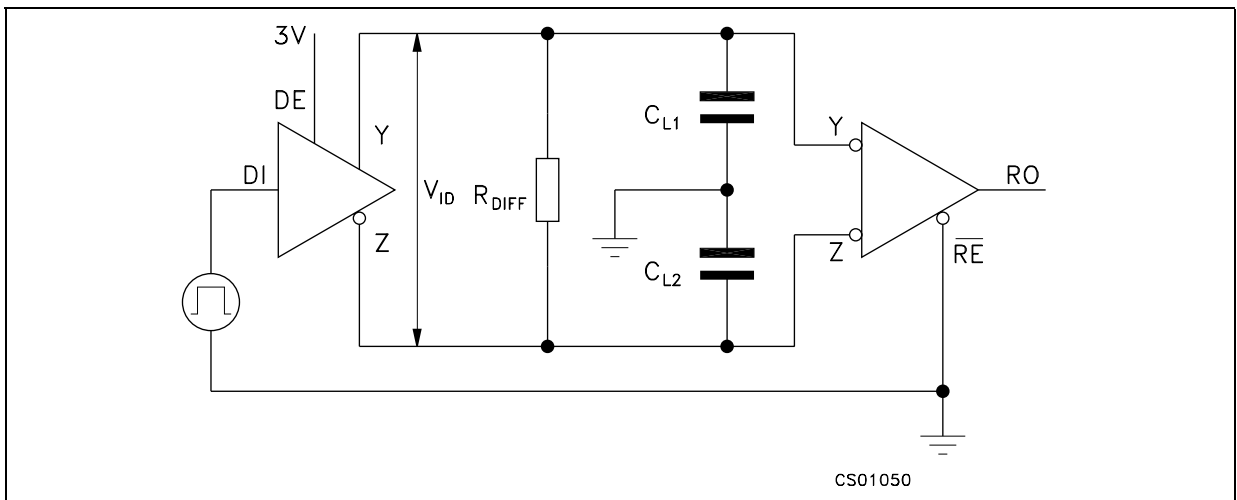


Figure 4 : Driver Timing Test Load

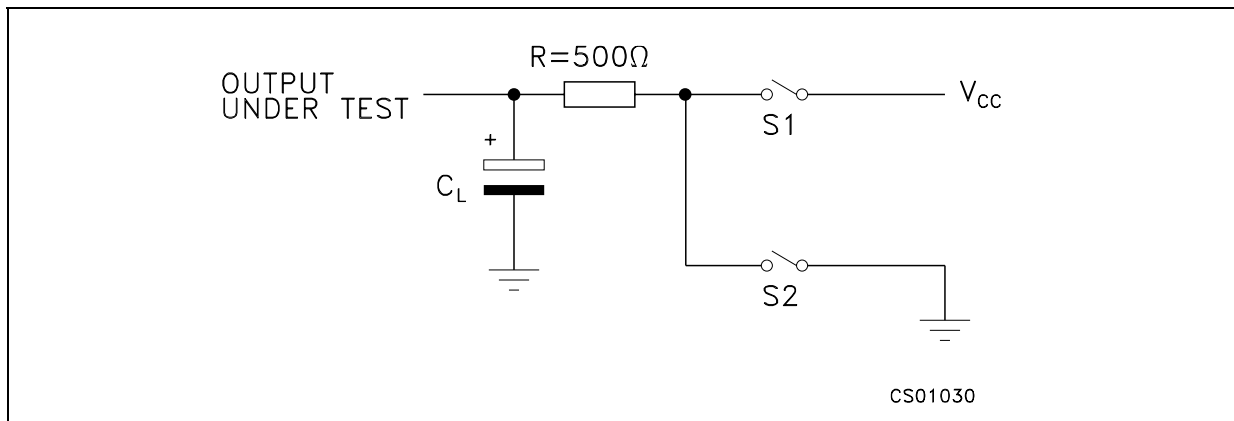


Figure 5 : Driver Propagation Delay

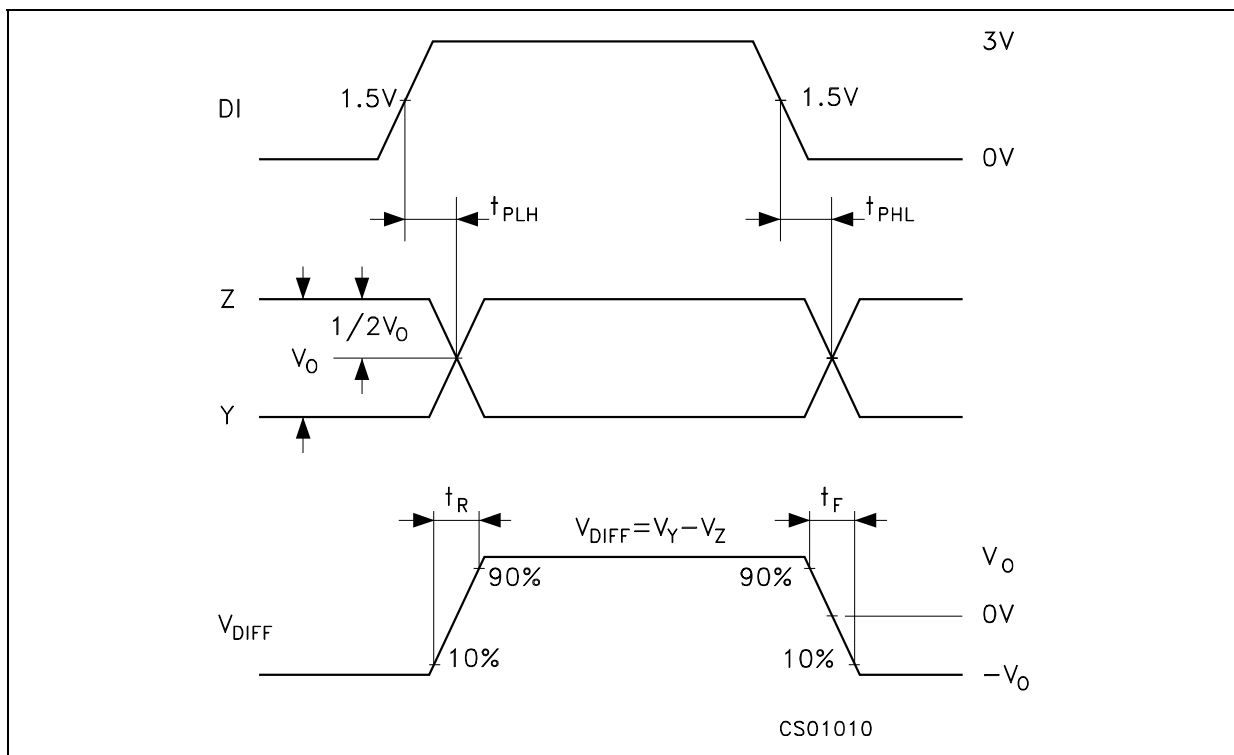


Figure 6 : Driver Enable and Disable Time

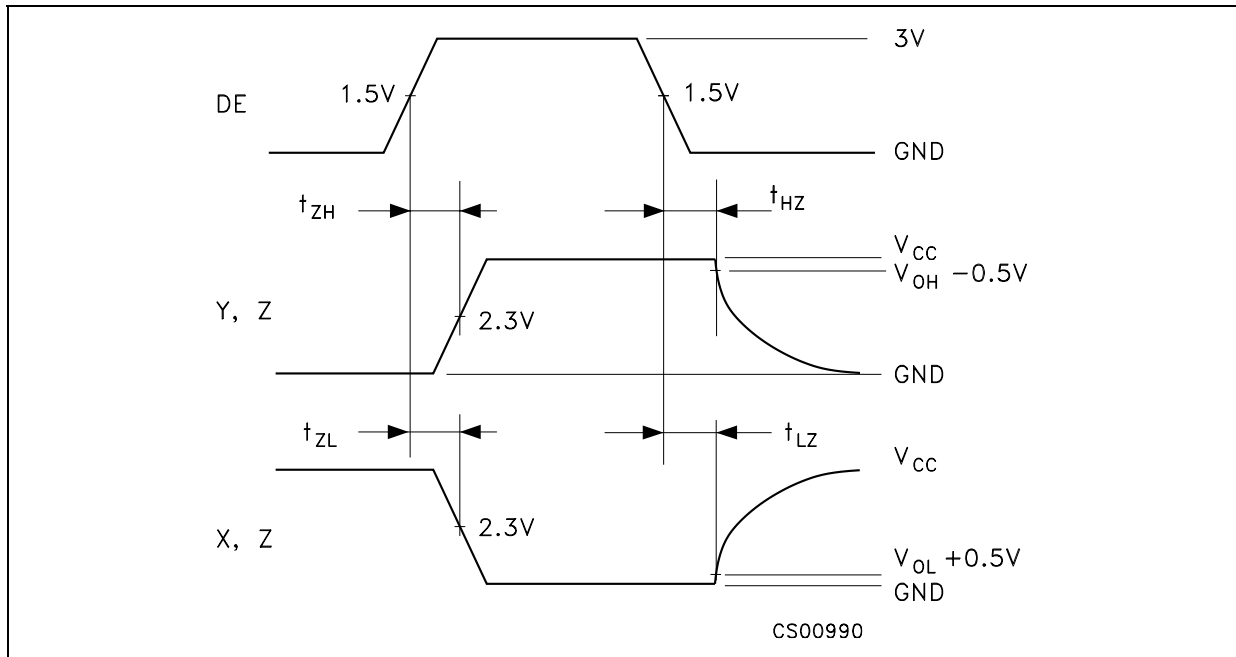


Figure 7 : Receiver Propagation Delay

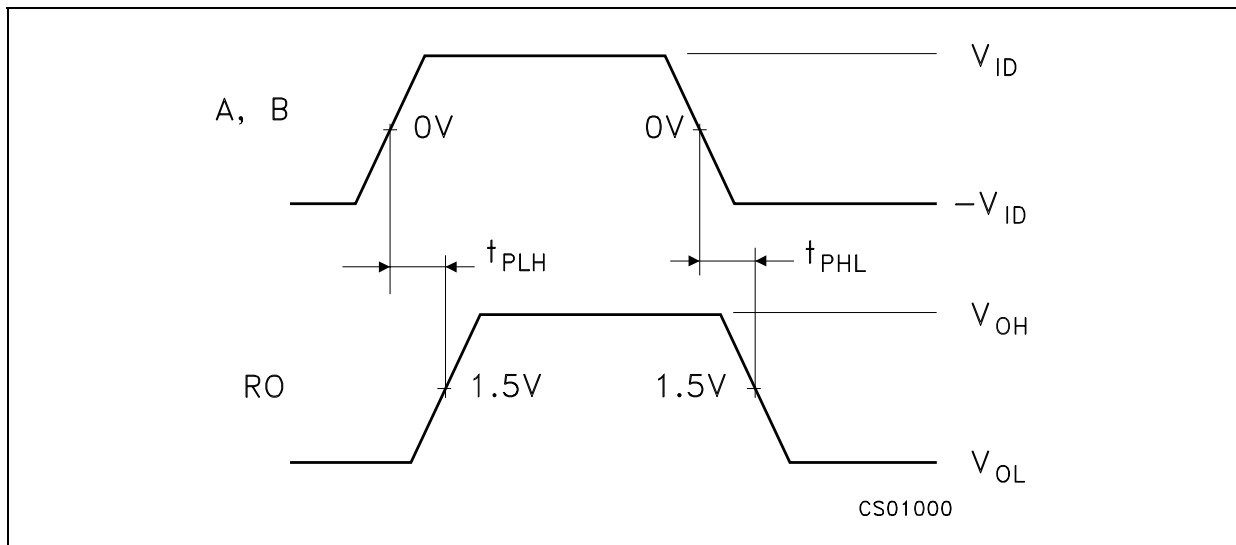


Figure 8 : Receiver Enable and Disable Time

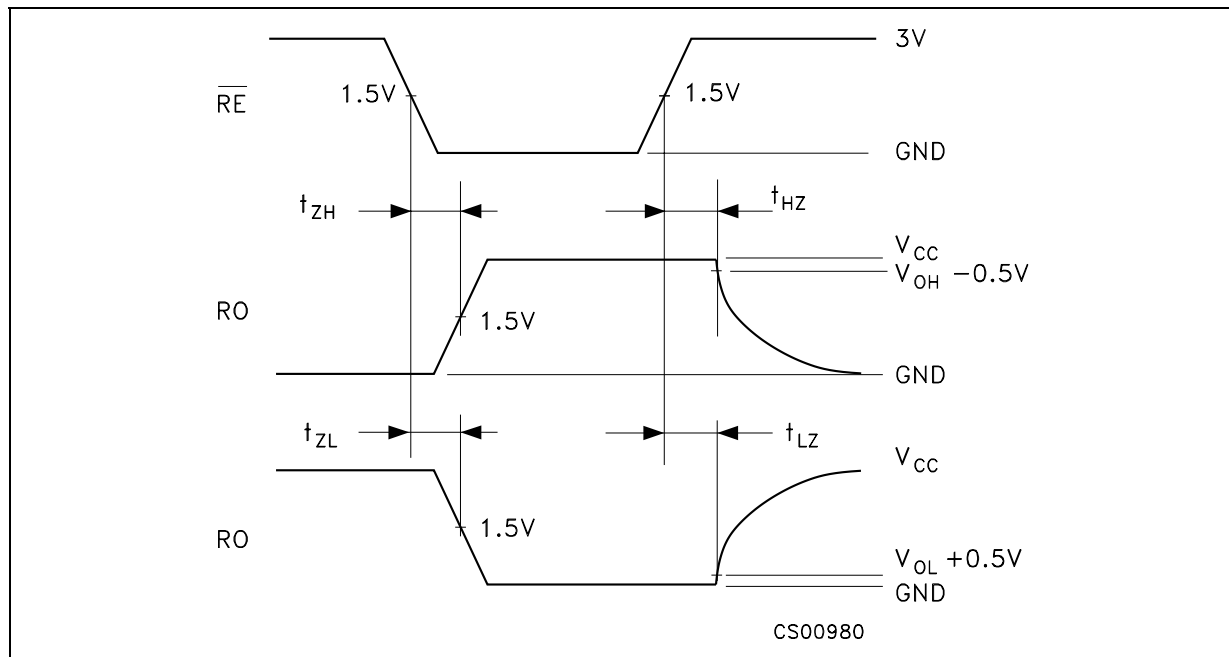


Figure 9 : Receiver Output Current vs Output Voltage (Output Low)

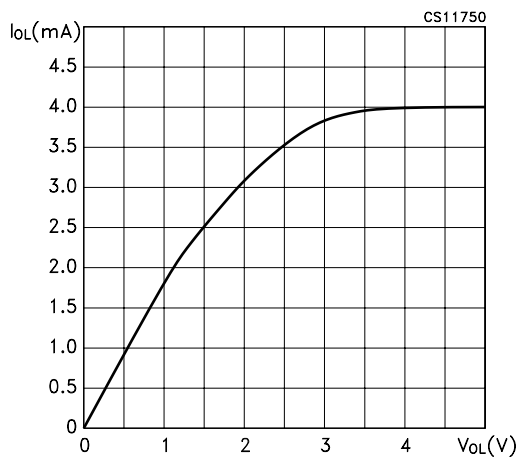


Figure 10 : Receiver Output Current vs Output Voltage (Output High)

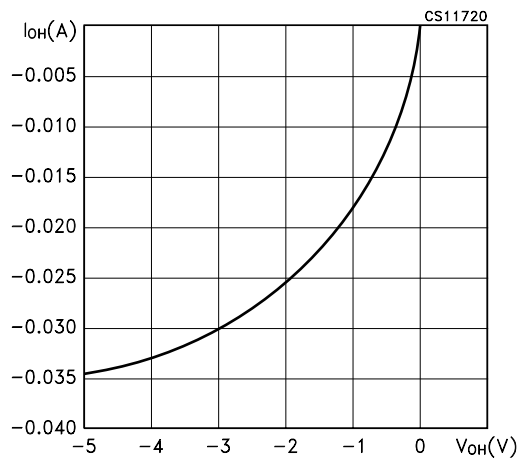


Figure 11 : Driver Diff. Output Voltage vs Common Mode Voltage (Diff. Output Low)

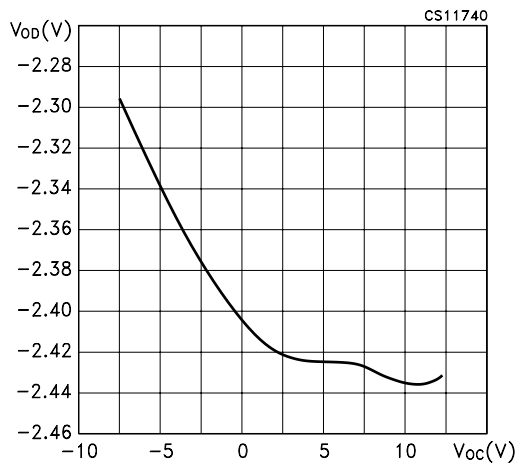


Figure 14 : Driver Short Circuit Current vs. Line Voltage (Output Low)

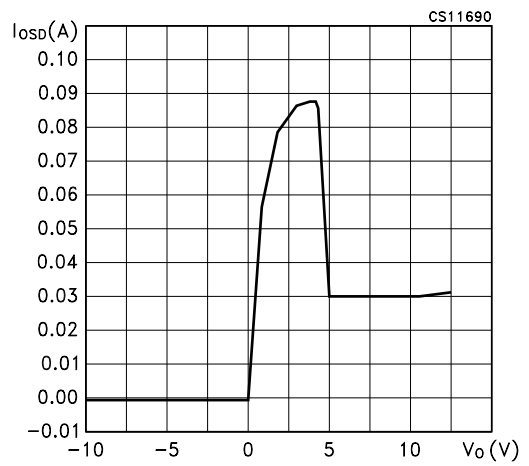


Figure 12 : Driver Diff. Output Voltage vs Common Mode Voltage (Diff. Output Low)

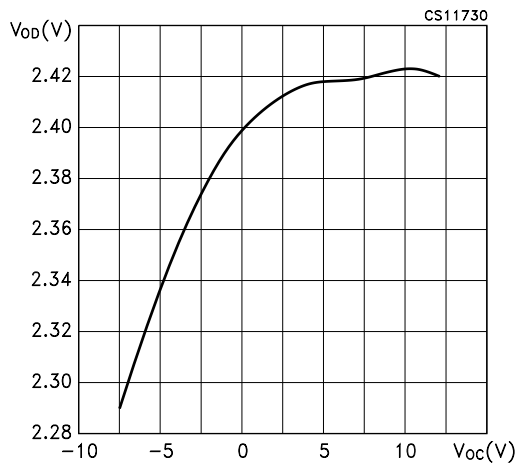


Figure 15 : Receiver Input Current vs Input Voltage

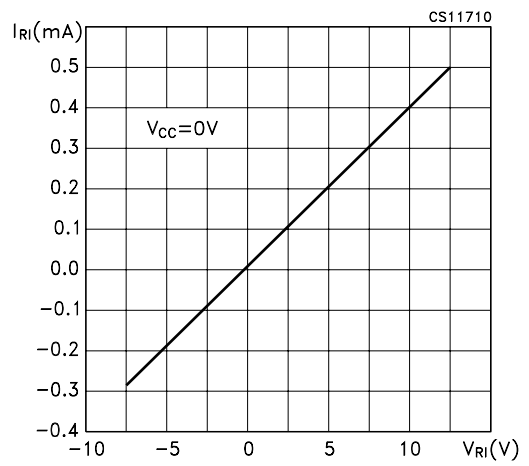
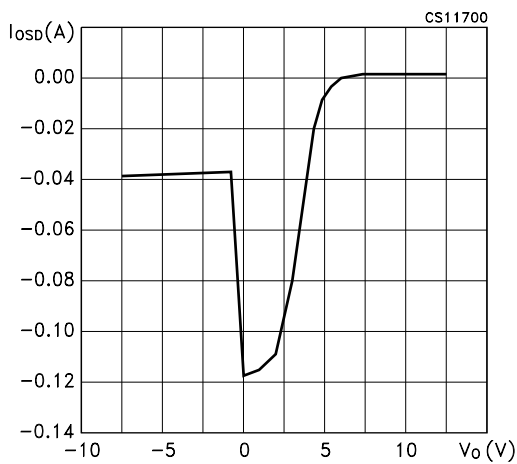
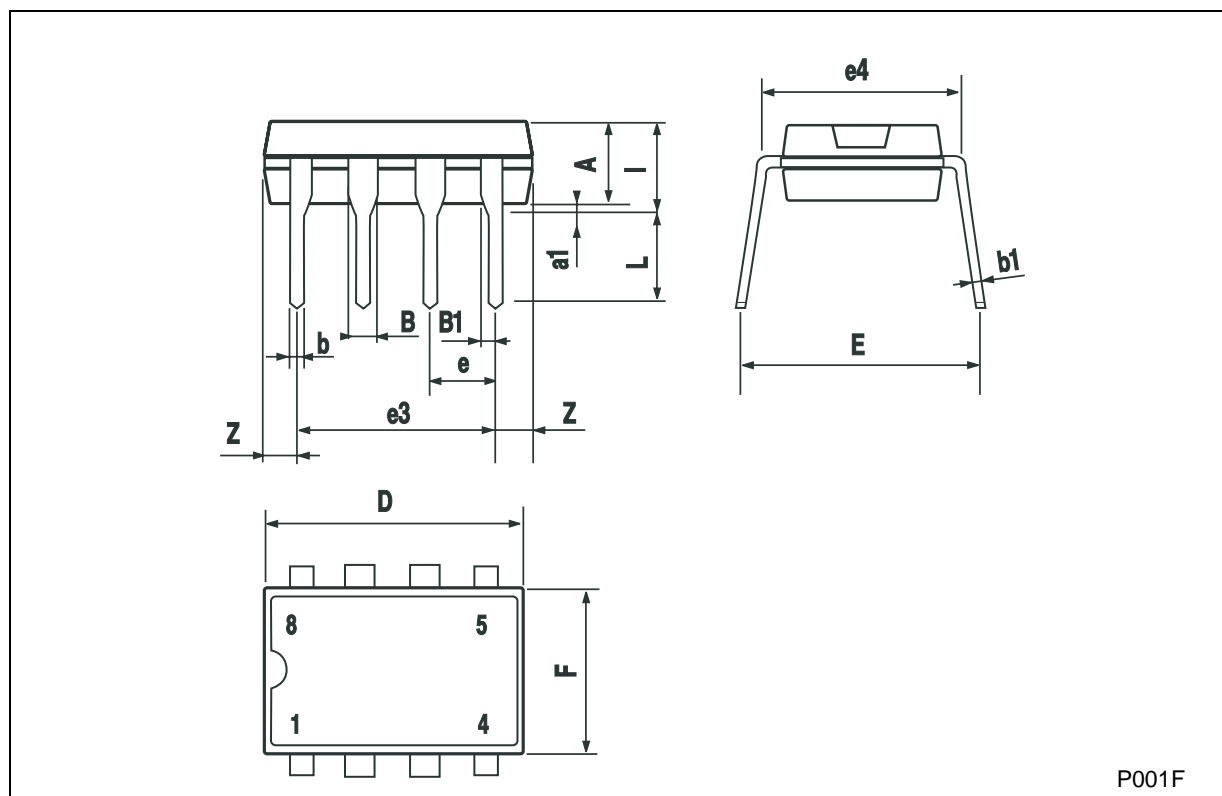


Figure 13 : Driver Short Circuit Current vs Line Voltage (Output High)



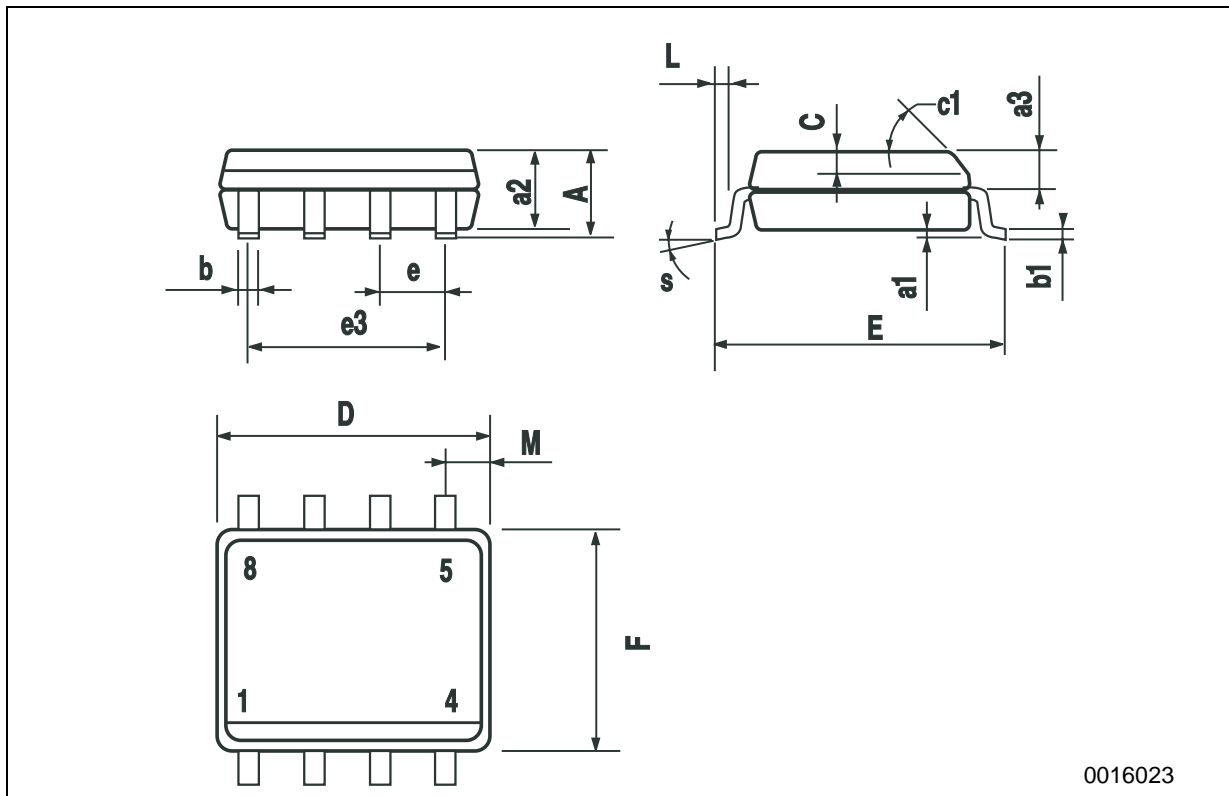
Plastic DIP-8 MECHANICAL DATA

DIM.	mm.			inch		
	MIN.	TYP.	MAX.	MIN.	TYP.	MAX.
A		3.3			0.130	
a1	0.7			0.028		
B	1.39		1.65	0.055		0.065
B1	0.91		1.04	0.036		0.041
b		0.5			0.020	
b1	0.38		0.5	0.015		0.020
D			9.8			0.386
E		8.8			0.346	
e		2.54			0.100	
e3		7.62			0.300	
e4		7.62			0.300	
F			7.1			0.280
l			4.8			0.189
L		3.3			0.130	
Z	0.44		1.6	0.017		0.063



SO-8 MECHANICAL DATA

DIM.	mm.			inch		
	MIN.	TYP.	MAX.	MIN.	TYP.	MAX.
A			1.75			0.068
a1	0.1		0.25	0.003		0.009
a2			1.65			0.064
a3	0.65		0.85	0.025		0.033
b	0.35		0.48	0.013		0.018
b1	0.19		0.25	0.007		0.010
C	0.25		0.5	0.010		0.019
c1	45° (typ.)					
D	4.8		5.0	0.189		0.196
E	5.8		6.2	0.228		0.244
e		1.27			0.050	
e3		3.81			0.150	
F	3.8		4.0	0.149		0.157
L	0.4		1.27	0.015		0.050
M			0.6			0.023
S	8° (max.)					



0016023

Information furnished is believed to be accurate and reliable. However, STMicroelectronics assumes no responsibility for the consequences of use of such information nor for any infringement of patents or other rights of third parties which may result from its use. No license is granted by implication or otherwise under any patent or patent rights of STMicroelectronics. Specifications mentioned in this publication are subject to change without notice. This publication supersedes and replaces all information previously supplied. STMicroelectronics products are not authorized for use as critical components in life support devices or systems without express written approval of STMicroelectronics.

© The ST logo is a registered trademark of STMicroelectronics

© 2002 STMicroelectronics - Printed in Italy - All Rights Reserved
STMicroelectronics GROUP OF COMPANIES

Australia - Brazil - Canada - China - Finland - France - Germany - Hong Kong - India - Israel - Italy - Japan - Malaysia - Malta - Morocco
Singapore - Spain - Sweden - Switzerland - United Kingdom - United States.

© <http://www.st.com>

