

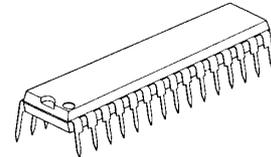
SRS 3D Stereo & SRS HEADPHONE AUDIO PROCESSOR

■GENERAL DISCRIPTION

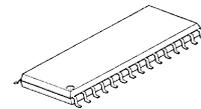
The **NJM2191** is a SRS 3D Stereo and SRS HEADPHONE audio processor. The 3D Stereo regenerates 3D surround sound with only two speakers, and also the SRS HEADPHONE provides a realistic and spacious listening experience through standard headphones.

The **NJM2191** is suitable for mini component, CD radio cassette, multimedia speaker system for PC and others.

■PACKAGE OUTLINE



NJM2191L



NJM2191M

■FEATURES

- | | |
|--|---|
| ● Operating Voltage | 4.7 to 13V |
| ● Low Operating Current | 10.0 mA typ. at 3D Stereo Mode
11.0mA typ. at SRS HP Mode |
| ● Low Output Noise | 17.8 μ Vrms typ.at 3D Stereo Mode
17.8 μ Vrms typ at SRS HP Mode |
| ● Bypass Gain | 0dB typ. |
| ● Sound Field Adjustment by Width Volume | |
| ● Internal Mode Switch | 3D Stereo / SRS HP |
| ● Bipolar Technology | |
| ● Package Outline | SDIP30, SDMP30 |

The SRS 3D Stereo and HEDPHONE technology right incorporated in the NJM2191 are owned by SRS Labs, a U.S. Corporation and licensed to New Japan Radio Co., Ltd. SRS 3D Stereo and HEDPHONE is protected under U.S. and foreign patents issued and/or pending. SRS 3D Stereo and HEDPHONE and the  , are trademarks of SRS Labs, Inc. in the United States and selected foreign countries. Neither the purchase of the NJM2191, nor the corresponding sale of audio enhancement equipment conveys the right to sell commercialized recordings made with any SRS technology.

SRS Labs requires that all users of the NJM2191 must enter into a license agreement directly with SRS Labs if the royalty is not included in the purchase price. SRS Labs also requires any users to comply with all rules and regulations as outlined in the SRS Trademark Usage Manual.

For further information, please contact:

SRS Labs, Inc.
2909 Daimler Street. Santa Ana, CA 92705 USA
Tel: 949-442-1070 Fax:949-852-1099 <http://www.srslabs.com>

NJM2191

■ABSOLUTE MAXIMUM (Ta=25°C)

PARAMETER	SYMBOL	RATINGS	UNIT
Operating Voltage	V ⁺	15	V
Power Dissipation	P _D	700	mW
Operating Temperature Range	T _{OPR}	-40 to +85	°C
Storage Temperature Range	T _{stg}	-40 to +125	°C

■ELECTRICAL CHARACTERISTICS (V⁺=12V, Ta=25°C, V_{IN}=-10dBV(316mVrms), unless otherwise specification)

PARAMETER	SYMBOL	CONDITION	CONDITION				MIN	TYP	MAX	UNIT	
			INPUT		OUTPUT	MODE					WIDTH VR
			L	R							
Operating Voltage	V ⁺	-	-	-	-	-	4.7	12.0	13.0	V	
Operating Current	I _{CC}	No Signal	0	0	-	BYPASS	-	5.0	9.0	13.0	mA
			0	0	-	3D Stereo	MAX	6.0	10.0	14.0	
			0	0	-	SRS HP	MAX	7.0	11.0	15.0	
			0	0	-	3D Stereo SRS HP	MAX	8.0	12.0	16.0	
Reference Voltage	V _{REF}	V ⁺ /2	0	0	-	-	5.8	6.0	6.2	V	
Maximum Input Voltage	V _{IM}	f=1kHz T.H.D.=3%	V _{IN}	-	L	BYPASS	-	11.0	12.0	-	dBV (Vrms)
			-	V _{IN}	R	3D Stereo	-	(3.5)	(4.0)	-	
		f=1kHz T.H.D.=3%	V _{IN}	-	L	BYPASS	-	11.0	12.0	-	
			-	V _{IN}	R	SRS HP	-	(3.5)	(4.0)	-	
		f=125kHz T.H.D.=3%	V _{IN}	-	L	3D Stereo	MAX	-1.3	0.7	-	
			V _{IN}	-	R	3D Stereo	MAX	(0.9)	(1.1)	-	
		f=125kHz T.H.D.=3%	V _{IN}	V _{IN}	L	3D Stereo	MAX	10.0	12.0	-	
			V _{IN}	-V _{IN}	L	3D Stereo	MAX	(3.2)	(4.0)	-	
f=125kHz T.H.D.=3%	V _{IN}	-V _{IN}	L	3D Stereo	MAX	-7.1	-5.1	-			
	V _{IN}	-	L	3D Stereo	MAX	(0.4)	(0.6)	-			
f=100Hz T.H.D.=3%	V _{IN}	-	L	SRS HP	MAX	-6.1	-4.1	-			
	V _{IN}	-	R	SRS HP	MAX	(0.5)	(0.6)	-			
f=100Hz T.H.D.=3%	V _{IN}	V _{IN}	L	SRS HP	MAX	9.9	11.9	-			
	V _{IN}	V _{IN}	L	SRS HP	MAX	(3.1)	(3.9)	-			
f=100Hz T.H.D.=3%	V _{IN}	-V _{IN}	L	SRS HP	MAX	-12.1	-10.1	-			
	V _{IN}	-V _{IN}	L	SRS HP	MAX	(0.2)	(0.3)	-			

■ ELECTRICAL CHARACTERISTICS ($V^+=12V$, $T_a=25^\circ C$, $V_{IN}=-10dBV(316mV_{rms})$, unless otherwise specification)

PARAMETER	SYMBOL		CONDITION					MIN	TYP	MAX	UNIT
			INPUT		OUTPUT	MODE	WIDTH VR				
			L	R							
Output Noise	V_{NOISE}	Rg=0Ω A-Weighted	0	0	L R	BYPASS 3D Stereo	-	-	-110 (3.2)	-100 (10.0)	dBV (uVrms)
			0	0	L R	3D Stereo	MAX	-	-95 (17.8)	-84 (63.1)	
			0	0	L R	BYPASS SRS HP	-	-	-110 (3.16)	-100 (10.0)	
			0	0	L R	SRS HP	MIN	-	-95 (17.8)	-84 (63.1)	
			0	0	L R	SRS HP	MAX	-	-95 (17.8)	-84 (63.1)	
Total Harmonic Distortion	THD	f=1kHz	V_{IN}	-	L R	BYPASS 3D Stereo	-	-	0.01	0.05	%
			-	V_{IN}	L R	3D Stereo	MAX	-	0.10	0.20	
			-	V_{IN}	R	3D Stereo	MAX	-	0.10	0.20	
			V_{IN}	-	L R	BYPASS SRS HP	-	-	0.01	0.05	
			-	V_{IN}	L R	SRS HP	MIN	-	0.10	0.30	
			V_{IN}	-	L R	SRS HP	MAX	-	0.01	0.10	
			-	V_{IN}	R	SRS HP	MAX	-	0.20	0.40	
Bypass Gain	G_{VBYP}	f=1kHz	V_{IN}	-	L R	BYPASS 3D Stereo	-	-1.0	0.0	1.0	dB
			-	V_{IN}	L R	BYPASS SRS HP	-	-1.0	0.0	1.0	
3D Stereo Gain	G_{VSRS}	f=125Hz	V_{IN}	-	L R	3D Stereo	MAX	9.2	11.2	13.2	dB
			-	V_{IN}	L R	3D Stereo	MIN	-2.5	-0.5	1.5	
			-	V_{IN}	L R	3D Stereo	MAX	6.5	8.5	10.5	
L+R Gain	G_{L+R}	$V_{in}=-20dBV$ f=100Hz	V_{IN}	V_{IN}	L R	SRS HP	MIN	-2.0	0.0	2.0	dB
			V_{IN}	V_{IN}	L R	SRS HP	MAX	-2.0	0.0	2.0	
L-R Gain	G_{L-R}	$V_{in}=-20dBV$ f=100Hz	V_{IN}	$-V_{IN}$	L R	SRS HP	MIN	3.3	5.3	7.3	dB
			V_{IN}	$-V_{IN}$	L R	SRS HP	MAX	18.9	20.9	22.9	
Mode Select Control Switch	V_{MODE}	V_{IN} = "High Level"	-	-	-	-	-	2.0	-	V^+	V
		V_{IN} = "Low Level"	-	-	-	-	-	0.0	-	0.7	

✓ The word " $-V_{IN}$ " signifies opposite phase of " V_{IN} "

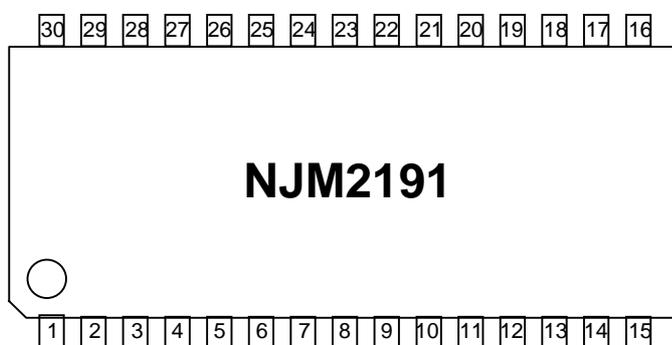
NJM2191

MODE SWITCH

	3D Stereo SW
BYPASS	Low Level
3D Stereo	High Level

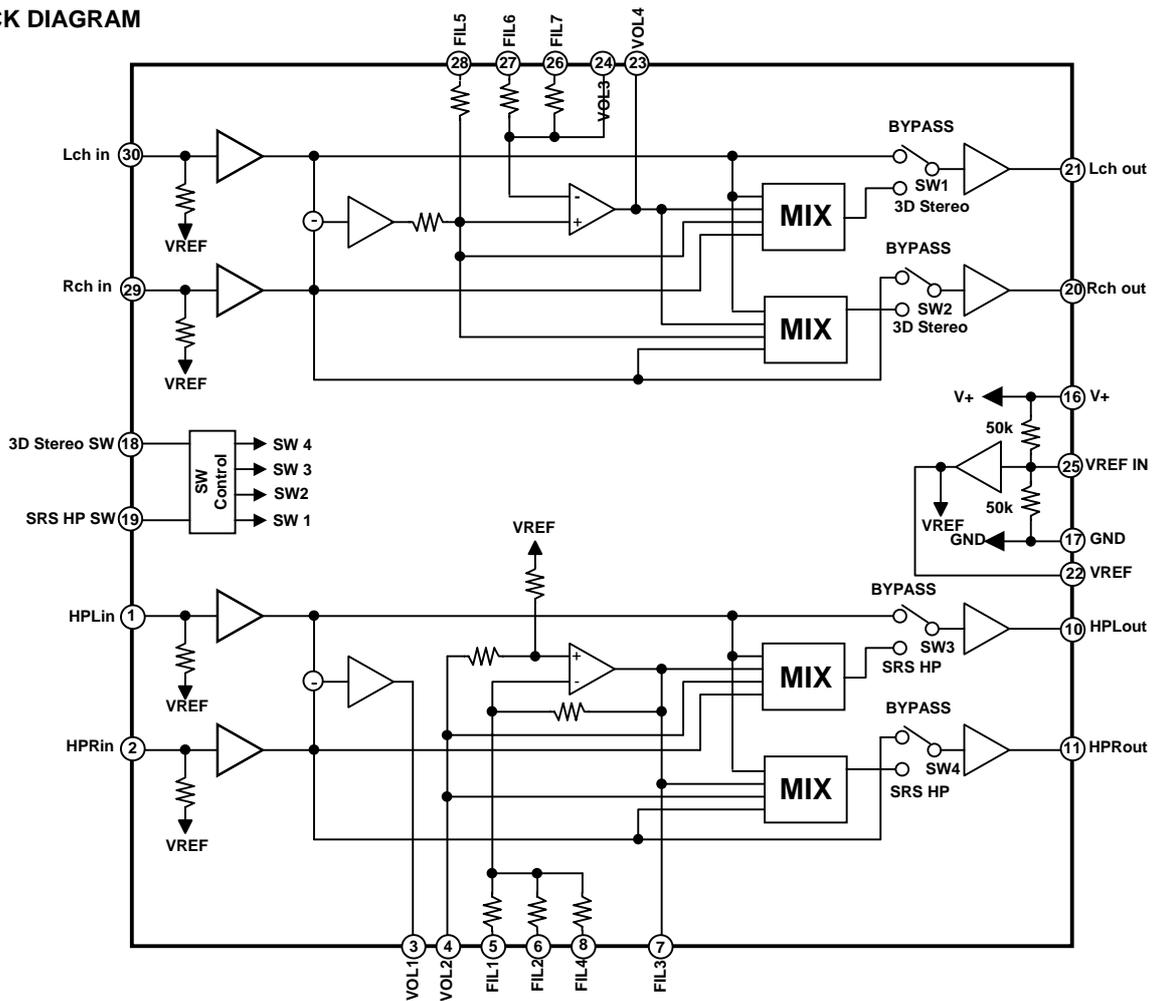
	SRS-HP SW
BYPASS	Low Level
SRS HP	High Level

PIN CONFIGURATION

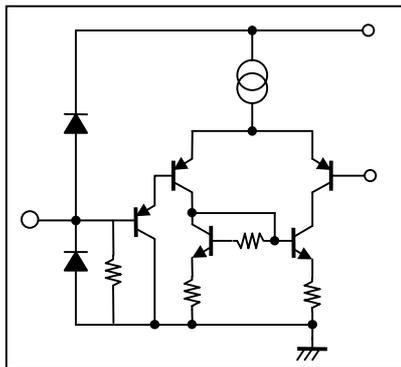


No	SYMBOL	FUNCTION	No.	SYMBOL	FUNCTION
1	HPLin	Lch Input for SRS HP	16	V+	4.7 to 13V
2	HPRin	Rch Input for SRS HP	17	GND	GROUND
3	VOL1	Width Control Output for SRS HP	18	3D Stereo SW	3D Stereo Mode Switch
4	VOL2	Width Control Input for SRS HP	19	SRS HP SW	SRS HP Mode Switch
5	FIL1	Filter1	20	Rch out	Rch Output
6	FIL2	Filter2	21	Lch out	Lch Output
7	FIL3	Filter3	22	VREFOUT	Reference Voltage Input
8	FIL4	Filter4	23	VOL4	Width Control Input for SRS Stereo
9	NC	NC	24	VOL3	Width Control Output for SRS Stereo
10	HPLout	Lch Output for SRS HP	25	VREFIN	Reference Voltage Output
11	HPRout	Rch Output for SRS HP	26	FIL7	Filter6
12	NC	NC	27	FIL6	Filter7
13	NC	NC	28	FIL5	Filter8
14	NC	NC	29	Rch in	Rch Input
15	NC	NC	30	Lch in	Lch Input

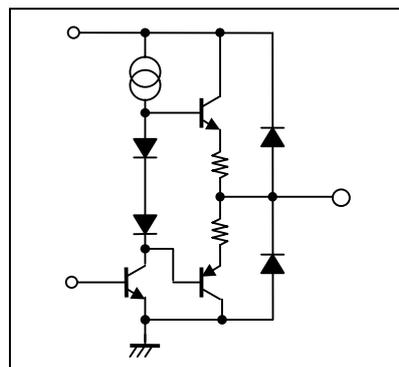
■BLOCK DIAGRAM



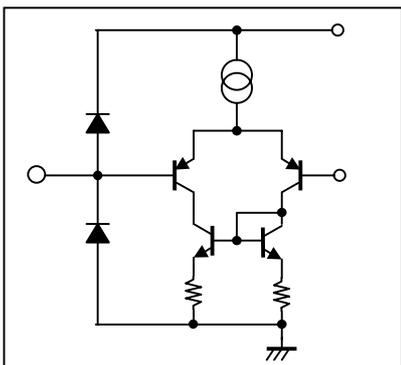
■PIN DESCRIPTION



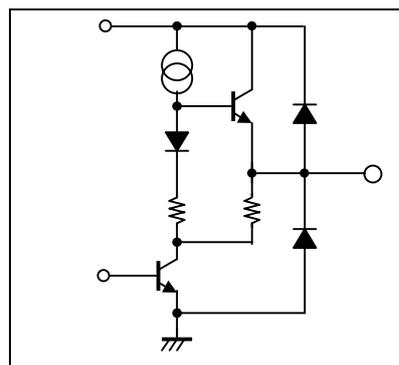
PIN No.
18,19



PIN No.
10,11,20,21,22,23



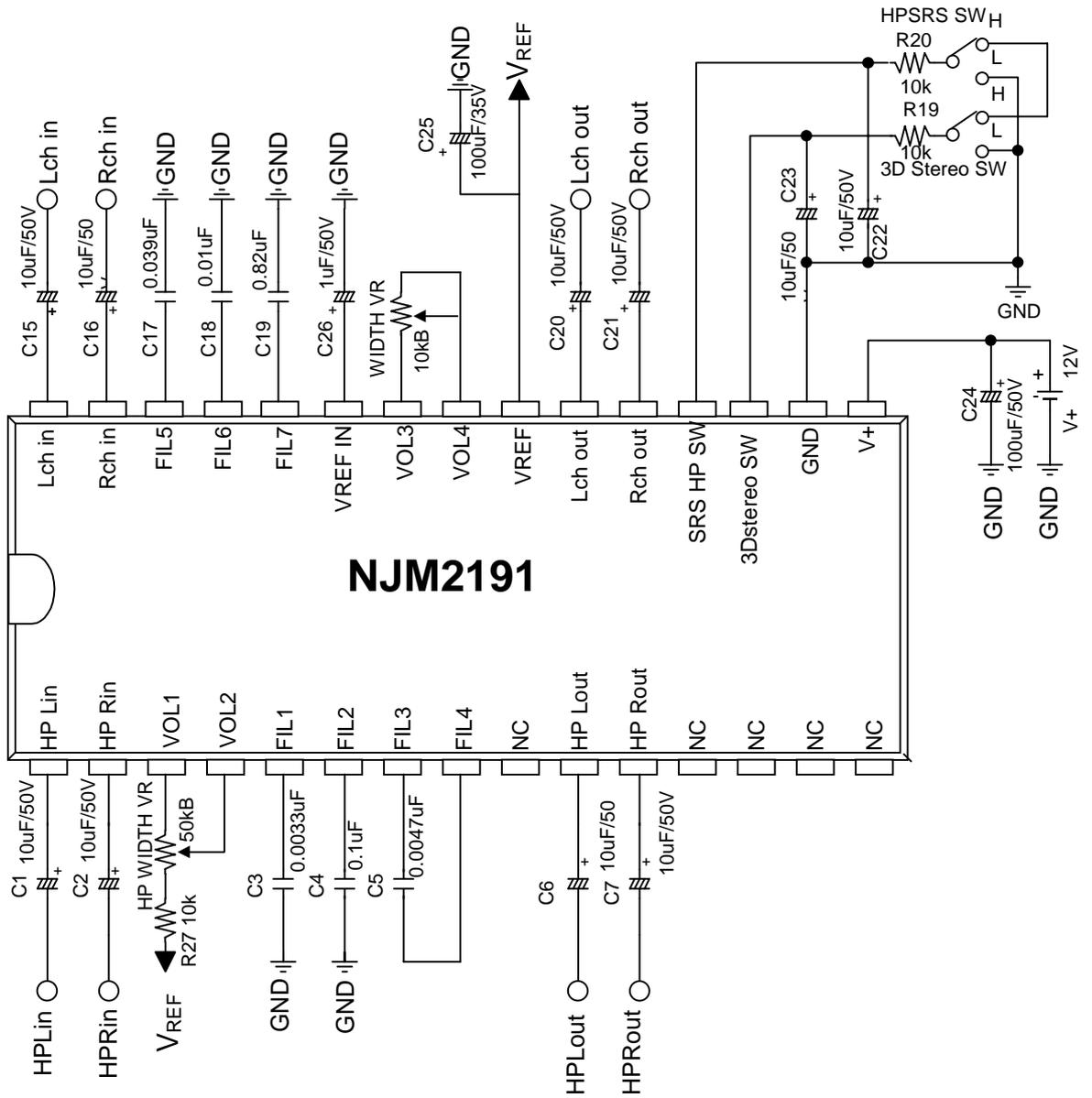
PIN No.
1,2,4,5,6,8,9,24,
25,26,27,28,29,30



PIN No.
3,7

NJM2191

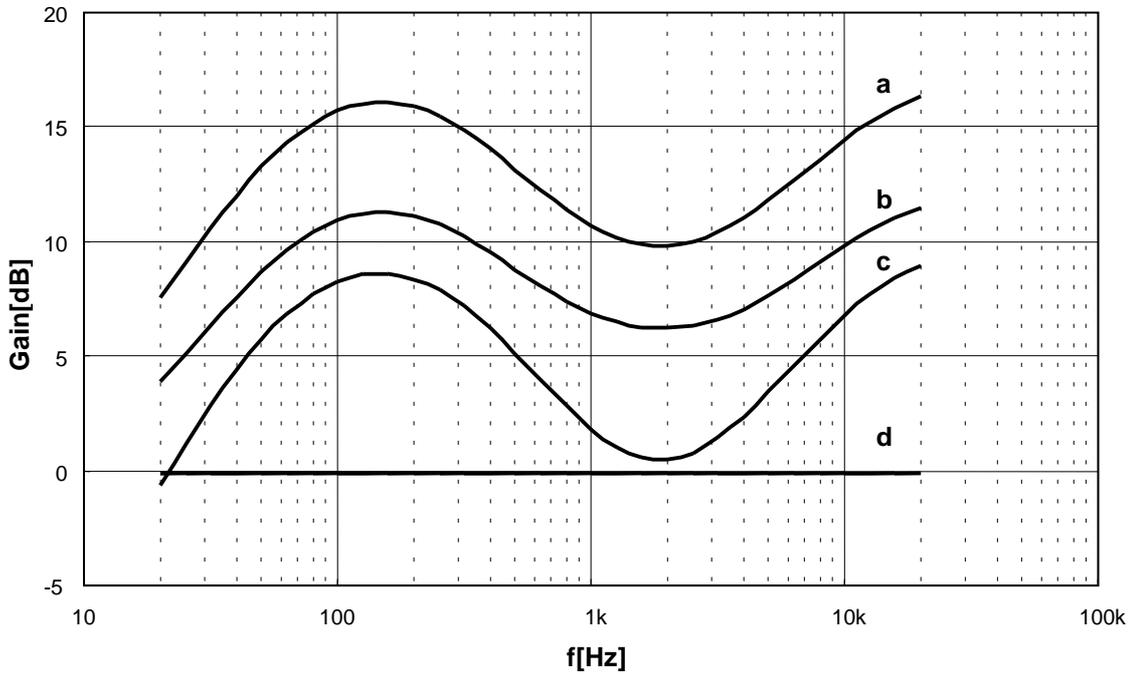
APPLICATION CIRCUIT



TYPICAL CHARACTERISTICS

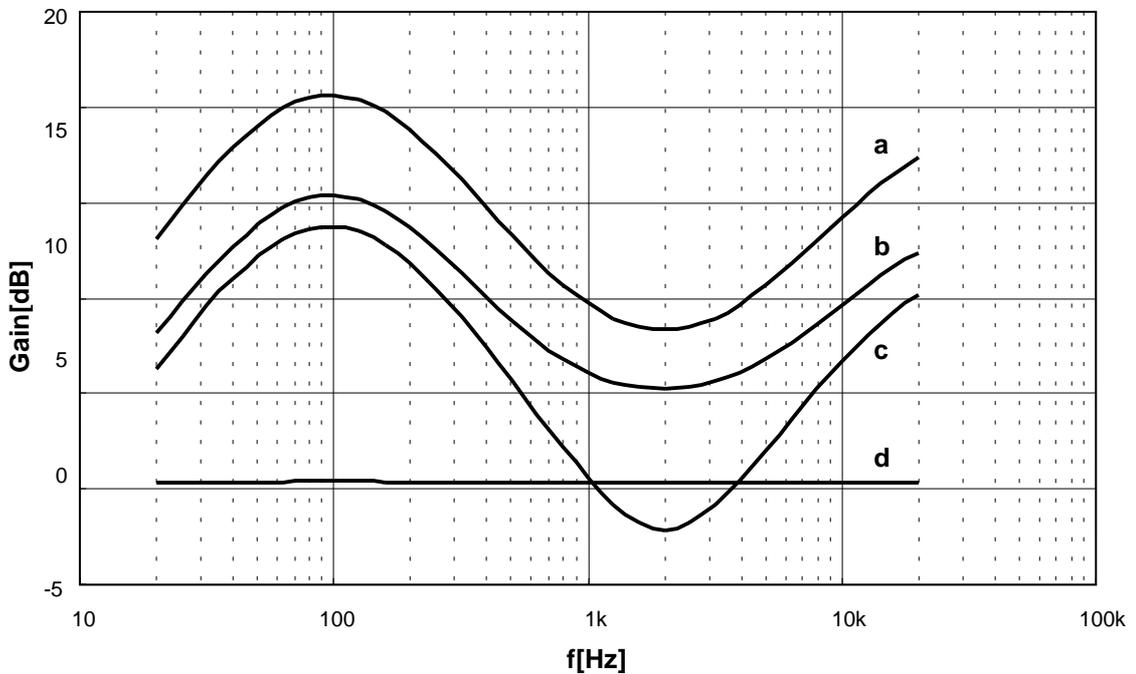
“SRS 3D Stereo GAIN STRUCTURE”

V+=12V, Ta=25°C, Vin=-10dBV, Width VR=Max



“SRS HEADPHONE GAIN STRUCTURE”

V+=12V, Ta=25°C, Vin=-20dBV, Width VR=Max



No.	INPUT	OUTPUT
a	Lch - Rch	Lch
b	Lch	Lch
c	Rch	Lch
d	Lch + Rch	Lch

[CAUTION]

The specifications on this data book are only given for information, without any guarantee as regards either mistakes or omissions. The application circuits in this data book are described only to show representative usages of the product and not intended for the guarantee or permission of any right including the industrial rights.