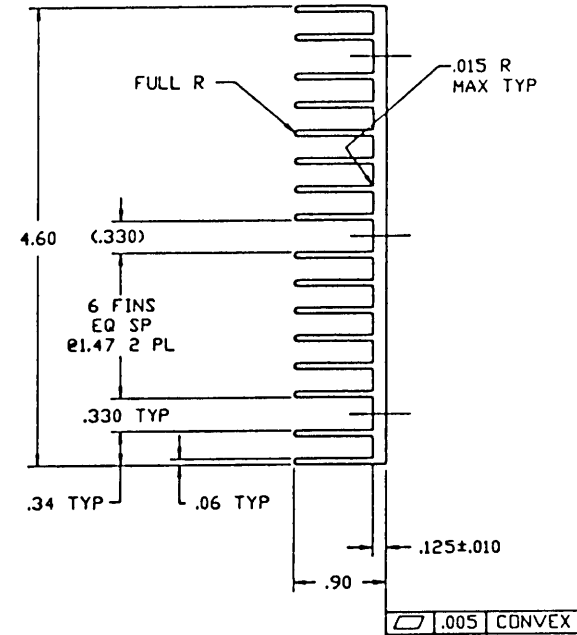
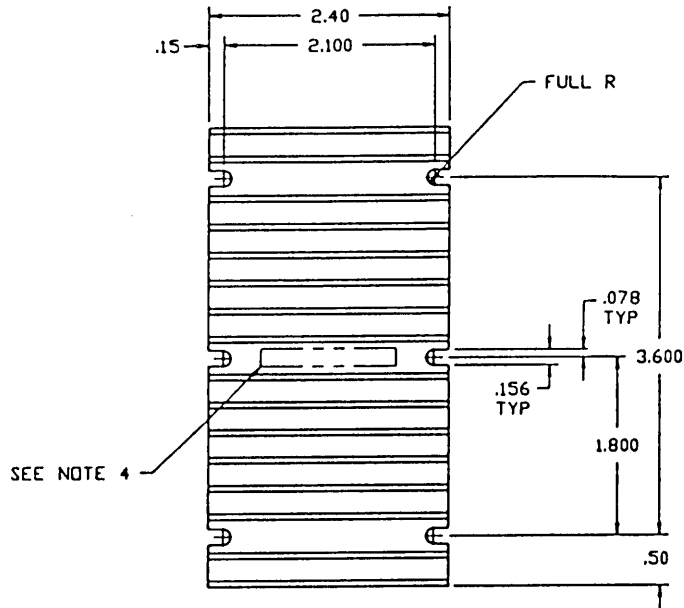


THIS DOCUMENT AND THE DATA DISCLOSED
HEREIN OR HEREWITH IS NOT TO BE REPRODUCED,
USED, OR DISCLOSED IN WHOLE OR IN PART
TO ANYONE WITHOUT PERMISSION OF VICOR CORP.

LTR	DESCRIPTION	DATE	APP'D
1	PRELIM RELEASE PER PCD# P005	5/19/87	WRH
2	REVISED PER PCD# 025	SPV 8/4/87	WRH
3	REVISED PER ECO #2211	BJR 01/13/88	FLK



FREE CONVECTION	2.4
200 LFH	1.52
600 LFH	0.72

- NOTES:
1. MATERIAL: 6063-T5, ALUMINUM.
 2. REMOVE ALL LOOSE BURRS.
 3. FINISH: CLEAR CHROMATE WITH EXTENDED ("HEAVY") ETCH.
 4. MECHANICALLY STAMP PART NUMBER AND REVISION IN AREA SHOWN.

ORIGINAL
ONLY WHEN STAMPED
IN RED

VICOR ANDOVER, MA. U.S.A.

HEATSINK,
.9" HGT., VERT.

DESIGNER: S.P. VISCONTI	5/87		
CHECKED:			
APP'D:			
ALL DIMENSIONS ARE IN INCHES (MILLIMETERS) DO NOT SCALE DRAWING	TOLERANCES (UNLESS AS NOTED) XX ± .01 XXX ± .008 FRACT & 1/64 ANGLES & 1°	DRAWING NO. 02113	REV. 3
NET ASSY:	SCALE FULL	SHEET 1 OF 1	