

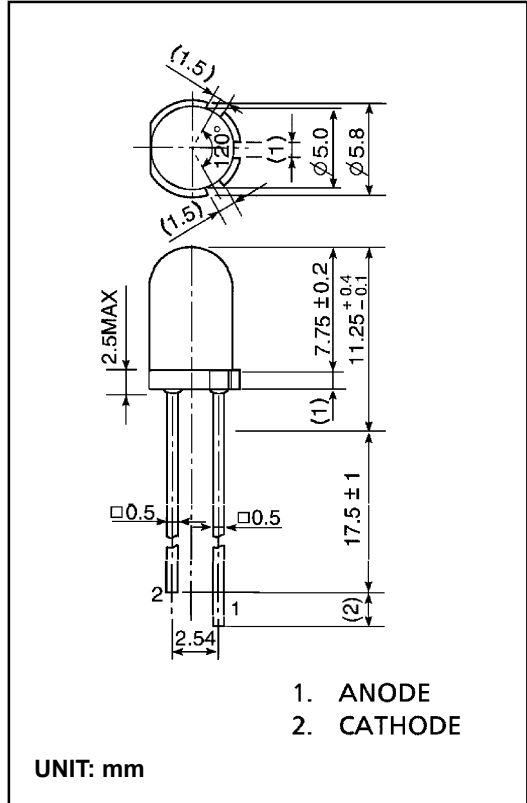
# TLOE16TP

## Product Features -

- InGaAlP Technology
- T-1¾ (5 mm) Package
- Water Clear Lens

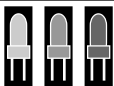
### MAXIMUM RATINGS (Ta = 25°C)

| CHARACTERISTIC        | SYMBOL    | RATING    | UNIT |
|-----------------------|-----------|-----------|------|
| Forward Current       | $I_F$     | 50        | mA   |
| Reverse Voltage       | $V_R$     | 4         | V    |
| Power Dissipation     | $P_D$     | 120       | mW   |
| Operating Temperature | $T_{opr}$ | -40 ~ 100 | °C   |
| Storage Temperature   | $T_{stg}$ | -40 ~ 120 | °C   |



### OPTO-ELECTRICAL CHARACTERISTICS (Ta = 25°C)

| CHARACTERISTIC           | SYMBOL          | TEST CONDITION      | MIN. | TYP. | MAX. | UNIT          |
|--------------------------|-----------------|---------------------|------|------|------|---------------|
| Forward Voltage          | $V_F$           | $I_F = 20\text{mA}$ | —    | 2.0  | 2.4  | V             |
| Reverse Current          | $I_R$           | $V_R = 4\text{V}$   | —    | —    | 50   | $\mu\text{A}$ |
| Luminous Intensity       | $I_v$           | $I_F = 20\text{mA}$ | 850  | 2000 | —    | mcd           |
| Viewing Angle            | $2\theta_{1/2}$ | —                   | —    | 24   | —    | °             |
| Peak Wavelength          | $\lambda_p$     | $I_F = 20\text{mA}$ | —    | 612  | —    | nm            |
| Dominant Wavelength      | $\lambda_d$     | $I_F = 20\text{mA}$ | —    | 605  | —    | nm            |
| Spectral Line Half Width | $\Delta\lambda$ | $I_F = 20\text{mA}$ | —    | 20   | —    | nm            |



## TLOE16TP Graphs -

