

Product Preview

128K x 36 and 256K x 18 Bit Pipelined BurstRAM Synchronous Fast Static RAM

The MCM63P736 and MCM63P818 are 4M bit synchronous fast static RAMs designed to provide a burstable, high performance, secondary cache for the PowerPC™ and other high performance microprocessors. The MCM63P736 is organized as 128K words of 36 bits each and the MCM63P818 is organized as 256K words of 18 bits each. These devices integrate input registers, an output register, a 2-bit address counter, and high speed SRAM onto a single monolithic circuit for reduced parts count in cache data RAM applications. Synchronous design allows precise cycle control with the use of an external clock (K).

Addresses (SA), data inputs (DQx), and all control signals except output enable (G), sleep mode (ZZ), and linear burst order (LBO) are clock (K) controlled through positive-edge-triggered noninverting registers.

Bursts can be initiated with either ADSP or ADSC input pins. Subsequent burst addresses can be generated internally by the MCM63P736 and MCM63P818 (burst sequence operates in linear or interleaved mode dependent upon the state of LBO) and controlled by the burst address advance (ADV) input pin.

Write cycles are internally self-timed and are initiated by the rising edge of the clock (K) input. This feature eliminates complex off-chip write pulse generation and provides increased timing flexibility for incoming signals.

Synchronous byte write (SBx), synchronous global write (SGW), and synchronous write enable (SW) are provided to allow writes to either individual bytes or to all bytes. The bytes are designated as "a", "b", etc. SBa controls DQa, SBb controls DQb, etc. Individual bytes are written if the selected byte writes SBx are asserted with SW. All bytes are written if either SGW is asserted or if all SBx and SW are asserted.

For read cycles, pipelined SRAMs output data is temporarily stored by an edge-triggered output register and then released to the output buffers at the next rising edge of clock (K).

The MCM63P736 and MCM63P818 operate from a 3.3 V core power supply and all outputs operate on a 2.5 V or 3.3 V power supply. All inputs and outputs are JEDEC standard JESD8-5 compatible.

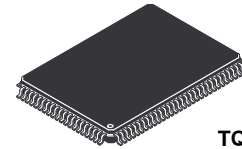
- MCM63P736/MCM63P818-133 = 4 ns Access/7.5 ns Cycle (133 MHz)
MCM63P736/MCM63P818-100 = 5 ns Access/10 ns Cycle (100 MHz)
MCM63P736/MCM63P818-66 = 7 ns Access/15 ns Cycle (66 MHz)
- 3.3 V + 10%, - 5% Core Power Supply, 2.5 V or 3.3 V I/O Supply
- ADSP, ADSC, and ADV Burst Control Pins
- Selectable Burst Sequencing Order (Linear/Interleaved)
- Two-Cycle Deselect Timing
- Internally Self-Timed Write Cycle
- Byte Write and Global Write Control
- Sleep Mode (ZZ)
- PB1 Version 2.0 Compatible
- JEDEC Standard 119-Pin PBGA and 100-Pin TQFP Packages

The PowerPC name is a trademark of IBM Corp., used under license therefrom.

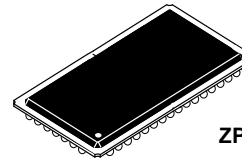
This document contains information on a product under development. Motorola reserves the right to change or discontinue this product without notice.

10/8/97

MCM63P736
MCM63P818

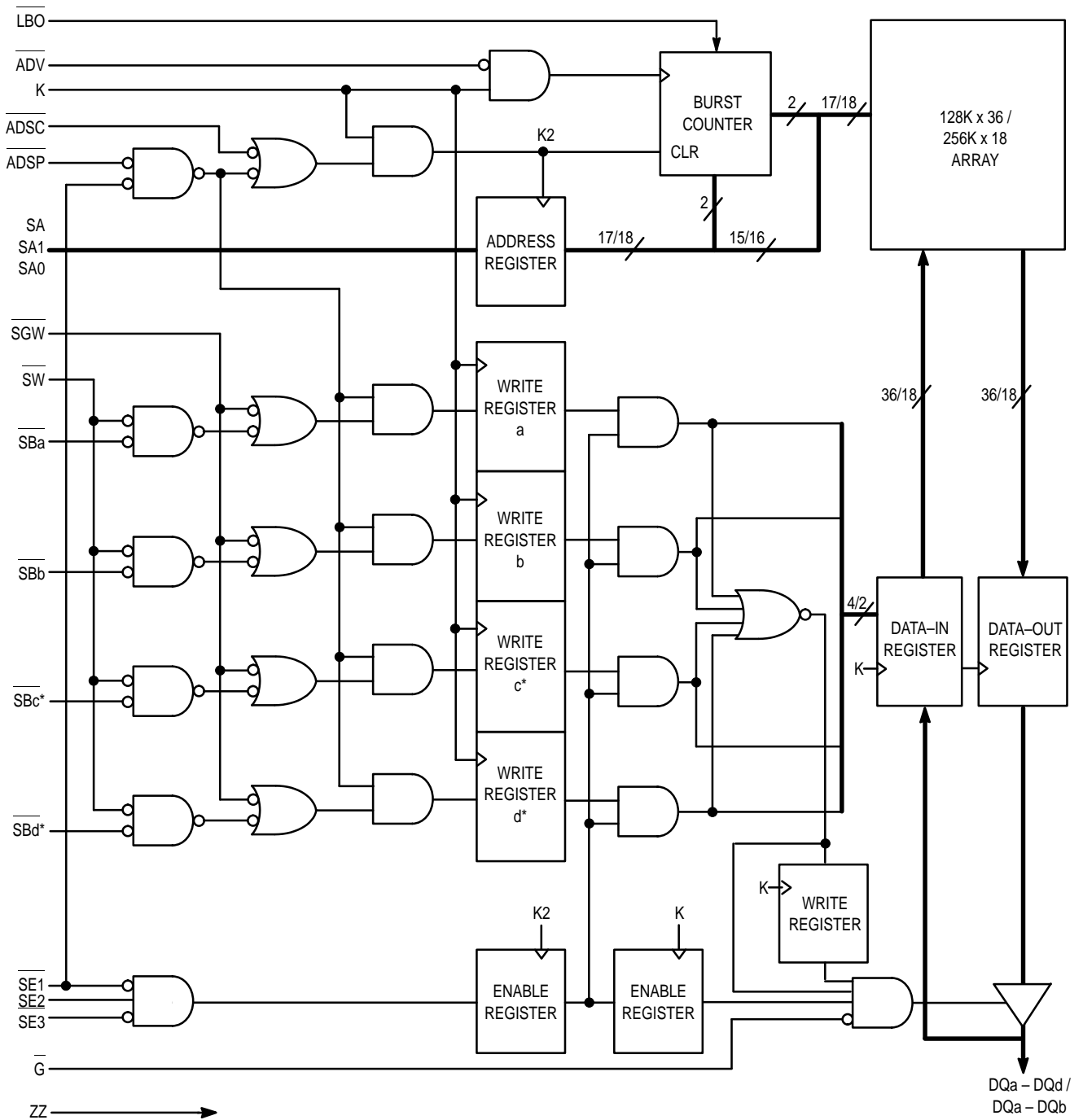


TQ PACKAGE
TQFP
CASE 983A-01



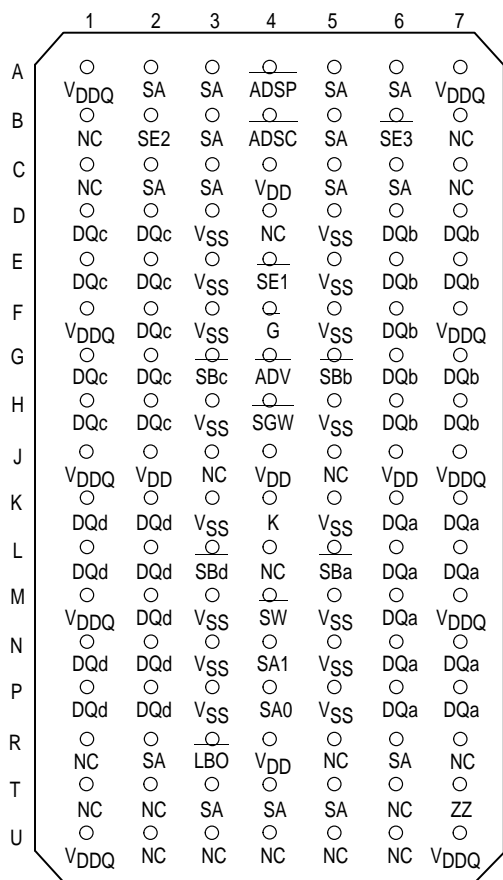
ZP PACKAGE
PBGA
CASE 999-01

FUNCTIONAL BLOCK DIAGRAM

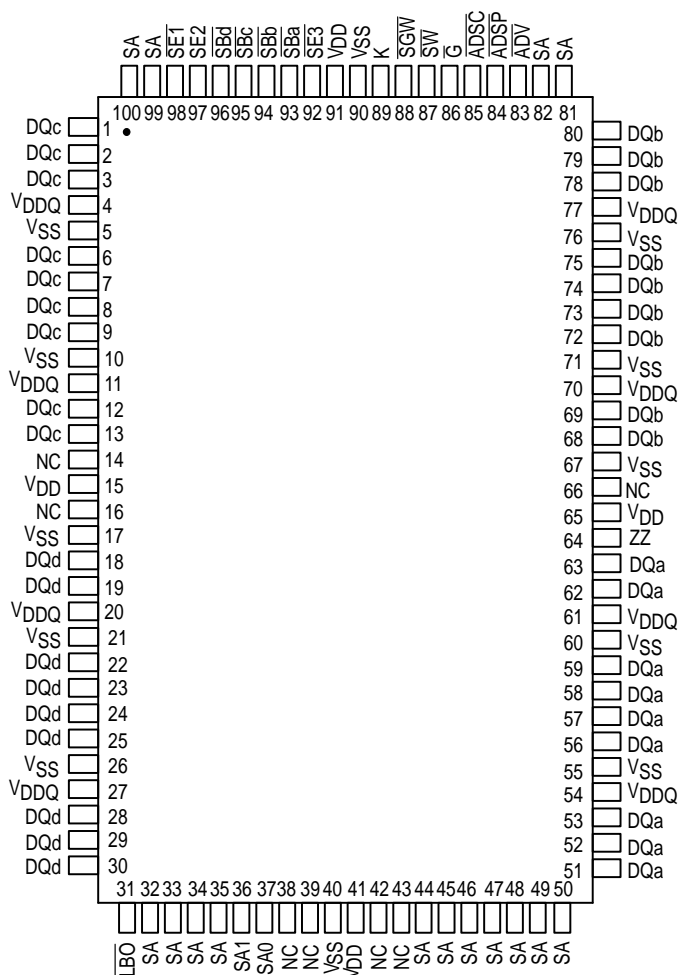


* Valid only for MCM63P736.

MCM63P736 PIN ASSIGNMENTS



TOP VIEW 119 BUMP PBGA



TOP VIEW 100 PIN TQFP

Not to Scale

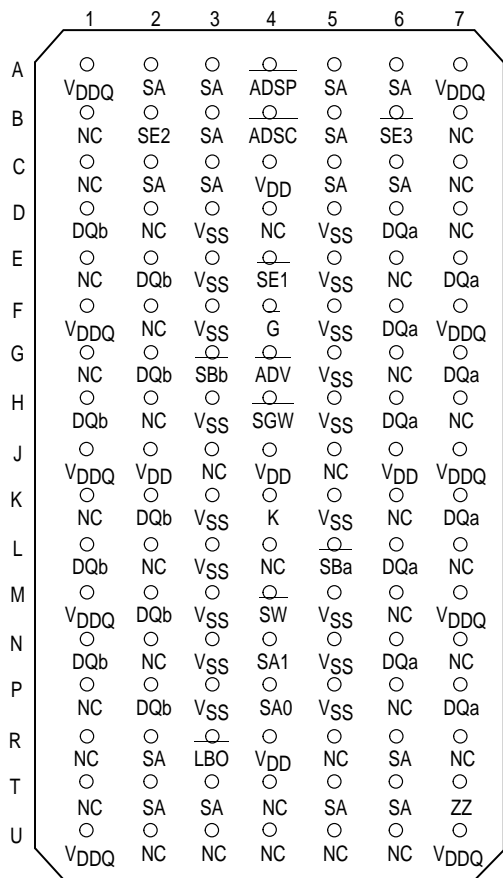
MCM63P736 PBGA PIN DESCRIPTIONS

| Pin Locations | Symbol | Type | Description |
|--|------------------|--------|--|
| 4B | ADSC | Input | Synchronous Address Status Controller: Active low, interrupts any ongoing burst and latches a new external address. Used to initiate a READ, WRITE, or chip deselect. |
| 4A | ADSP | Input | Synchronous Address Status Processor: Active low, interrupts any ongoing burst and latches a new external address. Used to initiate a new READ or chip deselect (<u>exception</u> — chip deselect does not occur when ADSP is asserted and SE1 is high). |
| 4G | ADV | Input | Synchronous Address Advance: Increments address count in accordance with counter type selected (linear/interleaved). |
| (a) 6K, 7K, 6L, 7L, 6M, 6N, 7N, 6P, 7P (b) 6D, 7D, 6E, 7E, 6F, 6G, 7G, 6H, 7H (c) 1D, 2D, 1E, 2E, 2F, 1G, 2G, 1H, 2H (d) 1K, 2K, 1L, 2L, 2M, 1N, 2N, 1P, 2P | DQx | I/O | Synchronous Data I/O: "x" refers to the byte being read or written (byte a, b, c, d). |
| 4F | G | Input | Asynchronous Output Enable Input: Low — enables output buffers (DQx pins). High — DQx pins are high impedance. |
| 4K | K | Input | Clock: This signal registers the address, data in, and all control signals except G, LBO, and ZZ. |
| 3R | LBO | Input | Linear Burst Order Input: This pin must remain in steady state (this signal not registered or latched). It must be tied high or low. Low — linear burst counter (68K/PowerPC). High — interleaved burst counter (486/i960/Pentium). |
| 2A, 3A, 5A, 6A, 3B, 5B, 2C, 3C, 5C, 6C, 2R, 6R, 3T, 4T, 5T | SA | Input | Synchronous Address Inputs: These inputs are registered and must meet setup and hold times. |
| 4N, 4P | SA1, SA0 | Input | Synchronous Address Inputs: These pins must be wired to the two LSBs of the address bus for proper burst operation. These inputs are registered and must meet setup and hold times. |
| 5L, 5G, 3G, 3L (a) (b) (c) (d) | SBx | Input | Synchronous Byte Write Inputs: "x" refers to the byte being written (byte a, b, c, d). SGW overrides SBx. |
| 4E | SE1 | Input | Synchronous Chip Enable: Active low to enable chip. _____ Negated high — blocks ADSP or deselects chip when ADSC is asserted. |
| 2B | SE2 | Input | Synchronous Chip Enable: Active high for depth expansion. |
| 6B | SE3 | Input | Synchronous Chip Enable: Active low for depth expansion. |
| 4H | SGW | Input | Synchronous Global Write: This signal writes all bytes regardless of the status of the SBx and SW signals. If only byte write signals SBx are being used, tie this pin high. |
| 4M | SW | Input | Synchronous Write: This signal writes only those bytes that have been selected using the byte write SBx pins. If only byte write signals SBx are being used, tie this pin low. |
| 7T | ZZ | Input | Sleep Mode: This active high asynchronous signal places the RAM into the lowest power mode. The ZZ pin disables the RAMs internal clock when placed in this mode. When ZZ is negated, the RAM remains in low power mode until it is commanded to READ or WRITE. Data integrity is maintained upon returning to normal operation. |
| 4C, 2J, 4J, 6J, 4R | V _{DD} | Supply | Core Power Supply. |
| 1A, 7A, 1F, 7F, 1J, 7J, 1M, 7M, 1U, 7U | V _{DDQ} | Supply | I/O Power Supply. |
| 3D, 5D, 3E, 5E, 3F, 5F, 3H, 5H, 3K, 5K, 3M, 5M, 3N, 5N, 3P, 5P | V _{SS} | Supply | Ground. |
| 1B, 7B, 1C, 7C, 4D, 3J, 5J, 4L, 1R, 5R, 7R, 1T, 2T, 6T, 2U, 3U, 4U, 5U, 6U | NC | — | No Connection: There is no connection to the chip. |

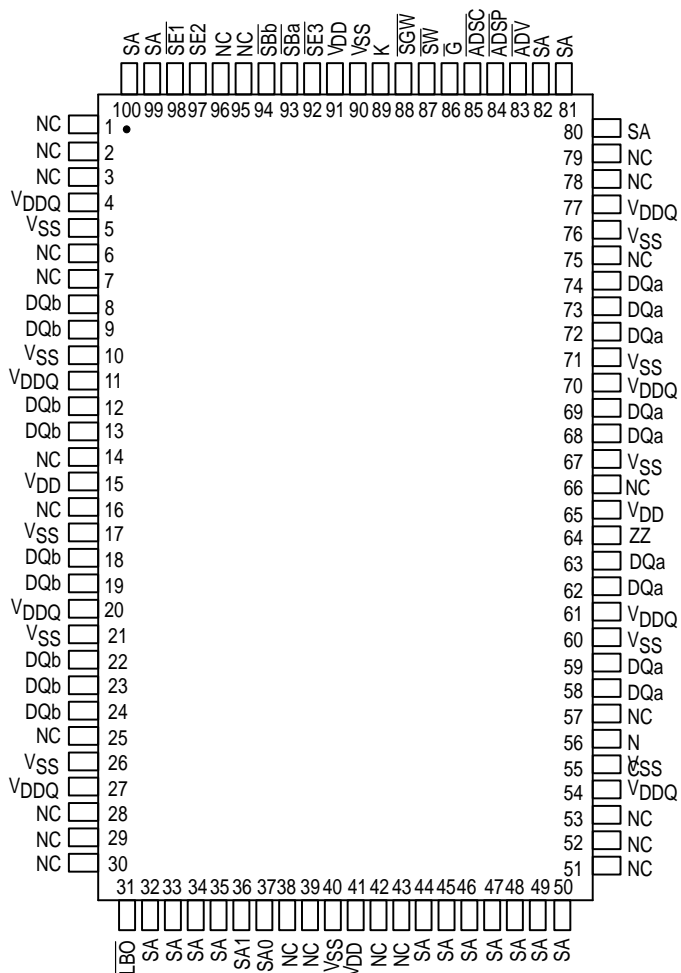
MCM63P736 TQFP PIN DESCRIPTIONS

| Pin Locations | Symbol | Type | Description |
|---|------------------|--------|--|
| 85 | ADSC | Input | Synchronous Address Status Controller: Active low, interrupts any ongoing burst and latches a new external address. Used to initiate a READ, WRITE, or chip deselect. |
| 84 | ADSP | Input | Synchronous Address Status Processor: Active low, interrupts any ongoing burst and latches a new external address. Used to initiate a new READ or chip deselect (<u>exception</u> — chip deselect does not occur when ADSP is asserted and SE1 is high). |
| 83 | ADV | Input | Synchronous Address Advance: Increments address count in accordance with counter type selected (linear/interleaved). |
| (a) 51, 52, 53, 56, 57, 58, 59, 62, 63 (b) 68, 69, 72, 73, 74, 75, 78, 79, 80 (c) 1, 2, 3, 6, 7, 8, 9, 12, 13 (d) 18, 19, 22, 23, 24, 25, 28, 29, 30 | DQx | I/O | Synchronous Data I/O: "x" refers to the byte being read or written (byte a, b, c, d). |
| 86 | G | Input | Asynchronous Output Enable Input: Low — enables output buffers (DQx pins). High — DQx pins are high impedance. |
| 89 | K | Input | Clock: <u>This signal</u> registers the address, data in, and all control signals except G, LBO, and ZZ. |
| 31 | LBO | Input | Linear Burst Order Input: This pin must remain in steady state (this signal not registered or latched). It must be tied high or low. Low — linear burst counter (68K/PowerPC). High — interleaved burst counter (486/i960/Pentium). |
| 32, 33, 34, 35, 44, 45, 46, 47, 48, 49, 50, 81, 82, 99, 100 | SA | Input | Synchronous Address Inputs: These inputs are registered and must meet setup and hold times. |
| 36, 37 | SA1, SA0 | Input | Synchronous Address Inputs: these pins must be wired to the two LSBs of the address bus for proper burst operation. These inputs are registered and must meet setup and hold times. |
| 93, 94, 95, 96 (a) (b) (c) (d) | SBx | Input | Synchronous <u>Byte Write Inputs</u> : "x" refers to the byte being written (byte a, b, c, d). SGW overrides SBx. |
| 98 | SE1 | Input | Synchronous Chip Enable: Active low to enable chip. _____ Negated high — blocks ADSP or deselects chip when ADSC is asserted. |
| 97 | SE2 | Input | Synchronous Chip Enable: Active high for depth expansion. |
| 92 | SE3 | Input | Synchronous Chip Enable: Active low for depth expansion. |
| 88 | SGW | Input | Synchronous <u>Global Write</u> : This signal writes all bytes regardless of the status of the SBx and SW signals. If only byte write signals SBx are being used, tie this pin high. |
| 87 | SW | Input | Synchronous Write: This <u>signal</u> writes only those bytes that have <u>been</u> selected using the byte write SBx pins. If only byte write signals SBx are being used, tie this pin low. |
| 64 | ZZ | Input | Sleep Mode: This active high asynchronous signal places the RAM into the lowest power mode. The ZZ pin disables the RAMs internal clock when placed in this mode. When ZZ is negated, the RAM remains in low power mode until it is commanded to READ or WRITE. Data integrity is maintained upon returning to normal operation. |
| 15, 41, 65, 91 | V _{DD} | Supply | Core Power Supply. |
| 4, 11, 20, 27, 54, 61, 70, 77 | V _{DDQ} | Supply | I/O Power Supply. |
| 5, 10, 17, 21, 26, 40, 55, 60, 67, 71, 76, 90 | V _{SS} | Supply | Ground. |
| 14, 16, 38, 39, 42, 43, 66 | NC | — | No Connection: There is no connection to the chip. |

MCM63P818 PIN ASSIGNMENTS



TOP VIEW 119 BUMP PBGA



TOP VIEW 100 PIN TQFP

Not to Scale

MCM63P818 PBGA PIN DESCRIPTIONS

| Pin Locations | Symbol | Type | Description |
|---|------------------|--------|---|
| 4B | ADSC | Input | Synchronous Address Status Controller: Active low, interrupts any ongoing burst and latches a new external address. Used to initiate a READ, WRITE, or chip deselect. |
| 4A | ADSP | Input | Synchronous Address Status Processor: Active low, interrupts any ongoing burst and latches a new external address. Used to initiate a new READ or chip deselect (<u>exception</u> — chip deselect does not occur when ADSP is asserted and SE1 is high). |
| 4G | ADV | Input | Synchronous Address Advance: Increments address count in accordance with counter type selected (linear/interleaved). |
| (a) 6D, 7E, 6F, 7G, 6H, 7K, 6L, 6N, 7P (b) 1D, 2E, 2G, 1H, 2K, 1L, 2M, 1N, 2P | DQx | I/O | Synchronous Data I/O: "x" refers to the byte being read or written (byte a, b). |
| 4F | G | Input | Asynchronous Output Enable Input: Low — enables output buffers (DQx pins). High — DQx pins are high impedance. |
| 4K | K | Input | Clock: This signal registers the address, data in, and all control signals except G, LBO, and ZZ. |
| 3R | LBO | Input | Linear Burst Order Input: This pin must remain in steady state (this signal not registered or latched). It must be tied high or low. Low — linear burst counter (68K/PowerPC). High — interleaved burst counter (486/i960/Pentium). |
| 2A, 3A, 5A, 6A, 3B, 5B, 2C, 3C, 5C, 6C, 2R, 6R, 2T, 3T, 5T, 6T | SA | Input | Synchronous Address Inputs: These inputs are registered and must meet setup and hold times. |
| 4N, 4P | SA1, SA0 | Input | Synchronous Address Inputs: These pins must be wired to the two LSBs of the address bus for proper burst operation. These inputs are registered and must meet setup and hold times. |
| 5L, 3G (a) (b) | SBx | Input | Synchronous Byte Write Inputs: "x" refers to the byte being written (byte a, b). SGW overrides SBx. |
| 4E | SE1 | Input | Synchronous Chip Enable: Active low to enable chip. _____ Negated high — blocks ADSP or deselects chip when ADSC is asserted. |
| 2B | SE2 | Input | Synchronous Chip Enable: Active high for depth expansion. |
| 6B | SE3 | Input | Synchronous Chip Enable: Active low for depth expansion. |
| 4H | SGW | Input | Synchronous Global Write: This signal writes all bytes regardless of the status of the SBx and SW signals. If only byte write signals SBx are being used, tie this pin high. |
| 4M | SW | Input | Synchronous Write: This signal writes only those bytes that have been selected using the byte write SBx pins. If only byte write signals SBx are being used, tie this pin low. |
| 7T | ZZ | Input | Sleep Mode: This active high asynchronous signal places the RAM into the lowest power mode. The ZZ pin disables the RAM's internal clock when placed in this mode. When ZZ is negated, the RAM remains in low power mode until it is commanded to READ or WRITE. Data integrity is maintained upon returning to normal operation. |
| 4C, 2J, 4J, 6J, 4R | V _{DD} | Supply | Core Power Supply. |
| 1A, 7A, 1F, 7F, 1J, 7J, 1M, 7M, 1U, 7U | V _{DDQ} | Supply | I/O Power Supply. |
| 3D, 5D, 3E, 5E, 3F, 5F, 5G, 3H, 5H, 3K, 5K, 3L, 3M, 5M, 3N, 5N, 3P, 5P | V _{SS} | Supply | Ground. |
| 1B, 7B, 1C, 7C, 2D, 4D, 7D, 1E, 6E, 2F, 1G, 6G, 2H, 7H, 3J, 5J, 1K, 6K, 2L, 4L, 7L, 6M, 2N, 7N, 1P, 6P, 1R, 5R, 7R, 1T, 4T, 2U, 3U, 4U, 5U, 6U | NC | — | No Connection: There is no connection to the chip. |

MCM63P818 TQFP PIN DESCRIPTIONS

| Pin Locations | Symbol | Type | Description |
|---|------------------|--------|---|
| 85 | ADSC | Input | Synchronous Address Status Controller: Active low, interrupts any ongoing burst and latches a new external address. Used to initiate a READ, WRITE, or chip deselect. |
| 84 | ADSP | Input | Synchronous Address Status Processor: Active low, interrupts any ongoing burst and latches a new external address. Used to initiate a new READ or chip deselect (<u>exception</u> — chip deselect does not occur when ADSP is asserted and SE1 is high). |
| 83 | ADV | Input | Synchronous Address Advance: Increments address count in accordance with counter type selected (linear/interleaved). |
| (a) 58, 59, 62, 63, 68, 69, 72, 73, 74 (b) 8, 9, 12, 13, 18, 19, 22, 23, 24 | DQx | I/O | Synchronous Data I/O: "x" refers to the byte being read or written (byte a, b). |
| 86 | G | Input | Asynchronous Output Enable Input: Low — enables output buffers (DQx pins). High — DQx pins are high impedance. |
| 89 | K | Input | Clock: This signal registers the address, data in, and all control signals except G, LBO, and ZZ. |
| 31 | LBO | Input | Linear Burst Order Input: This pin must remain in steady state (this signal not registered or latched). It must be tied high or low. Low — linear burst counter (68K/PowerPC). High — interleaved burst counter (486/i960/Pentium). |
| 32, 33, 34, 35, 44, 45, 46, 47, 48, 49, 50, 80, 81, 82, 99, 100 | SA | Input | Synchronous Address Inputs: These inputs are registered and must meet setup and hold times. |
| 36, 37 | SA1, SA0 | Input | Synchronous Address Inputs: These pins must be wired to the two LSBs of the address bus for proper burst operation. These inputs are registered and must meet setup and hold times. |
| 93, 94 (a) (b) | SBx | Input | Synchronous Byte Write Inputs: "x" refers to the byte being written (byte a, b). SGW overrides SBx. |
| 98 | SE1 | Input | Synchronous Chip Enable: Active low to enable chip. _____ Negated high — blocks ADSP or deselects chip when ADSC is asserted. |
| 97 | SE2 | Input | Synchronous Chip Enable: Active high for depth expansion. |
| 92 | SE3 | Input | Synchronous Chip Enable: Active low for depth expansion. |
| 88 | SGW | Input | Synchronous Global Write: This signal writes all bytes regardless of the status of the SBx and SW signals. If only byte write signals SBx are being used, tie this pin high. |
| 87 | SW | Input | Synchronous Write: This signal writes only those bytes that have been selected using the byte write SBx pins. If only byte write signals SBx are being used, tie this pin low. |
| 64 | ZZ | Input | Sleep Mode: This active high asynchronous signal places the RAM into the lowest power mode. The ZZ pin disables the RAM's internal clock when placed in this mode. When ZZ is negated, the RAM remains in low power mode until it is commanded to READ or WRITE. Data integrity is maintained upon returning to normal operation. |
| 15, 41, 65, 91 | V _{DD} | Supply | Core Power Supply. |
| 4, 11, 20, 27, 54, 61, 70, 77 | V _{DDQ} | Supply | I/O Power Supply. |
| 5, 10, 17, 21, 26, 40, 55, 60, 67, 71, 76, 90 | V _{SS} | Supply | Ground. |
| 1, 2, 3, 6, 7, 14, 16, 25, 28, 29, 30, 38, 39, 42, 43, 51, 52, 53, 56, 57, 66, 75, 78, 79, 95, 96 | NC | — | No Connection: There is no connection to the chip. |

TRUTH TABLE (See Notes 1 Through 5)

| Next Cycle | Address Used | SE1 | SE2 | SE3 | ADSP | ADSC | ADV | G ³ | DQx | Write ^{2, 4} |
|----------------|--------------|-----|-----|-----|------|------|-----|----------------|--------|-----------------------|
| Deselect | None | 1 | X | X | X | 0 | X | X | High-Z | X |
| Deselect | None | 0 | X | 1 | 0 | X | X | X | High-Z | X |
| Deselect | None | 0 | 0 | X | 0 | X | X | X | High-Z | X |
| Deselect | None | X | X | 1 | 1 | 0 | X | X | High-Z | X |
| Deselect | None | X | 0 | X | 1 | 0 | X | X | High-Z | X |
| Begin Read | External | 0 | 1 | 0 | 0 | X | X | X | High-Z | X ⁵ |
| Begin Read | External | 0 | 1 | 0 | 1 | 0 | X | X | High-Z | READ ⁵ |
| Continue Read | Next | X | X | X | 1 | 1 | 0 | 1 | High-Z | READ |
| Continue Read | Next | X | X | X | 1 | 1 | 0 | 0 | DQ | READ |
| Continue Read | Next | 1 | X | X | X | 1 | 0 | 1 | High-Z | READ |
| Continue Read | Next | 1 | X | X | X | 1 | 0 | 0 | DQ | READ |
| Suspend Read | Current | X | X | X | 1 | 1 | 1 | 1 | High-Z | READ |
| Suspend Read | Current | X | X | X | 1 | 1 | 1 | 0 | DQ | READ |
| Suspend Read | Current | 1 | X | X | X | 1 | 1 | 1 | High-Z | READ |
| Suspend Read | Current | 1 | X | X | X | 1 | 1 | 0 | DQ | READ |
| Begin Write | External | 0 | 1 | 0 | 1 | 0 | X | X | High-Z | WRITE |
| Continue Write | Next | X | X | X | 1 | 1 | 0 | X | High-Z | WRITE |
| Continue Write | Next | 1 | X | X | X | 1 | 0 | X | High-Z | WRITE |
| Suspend Write | Current | X | X | X | 1 | 1 | 1 | X | High-Z | WRITE |
| Suspend Write | Current | 1 | X | X | X | 1 | 1 | X | High-Z | WRITE |

NOTES:

1. X = Don't Care. 1 = logic high. 0 = logic low.
2. Write is defined as either 1) any SBx and SW low or 2) SGW is low.
3. G is an asynchronous signal and is not sampled by the clock K. G drives the bus immediately (t_{GLQX}) following G going low.
4. On write cycles that follow read cycles, G must be negated prior to the start of the write cycle to ensure proper write data setup times. G must also remain negated at the completion of the write cycle to ensure proper write data hold times.
5. This read assumes the RAM was previously deselected.

ASYNCHRONOUS TRUTH TABLE

| Operation | ZZ | G | I/O Status |
|------------|----|---|----------------|
| Read | L | L | Data Out (DQx) |
| Read | L | H | High-Z |
| Write | L | X | High-Z |
| Deselected | L | X | High-Z |
| Sleep | H | X | High-Z |

LINEAR BURST ADDRESS TABLE (LBO = V_{SS})

| 1st Address (External) | 2nd Address (Internal) | 3rd Address (Internal) | 4th Address (Internal) |
|------------------------|------------------------|------------------------|------------------------|
| X...X00 | X...X01 | X...X10 | X...X11 |
| X...X01 | X...X10 | X...X11 | X...X00 |
| X...X10 | X...X11 | X...X00 | X...X01 |
| X...X11 | X...X00 | X...X01 | X...X10 |

INTERLEAVED BURST ADDRESS TABLE (LBO = V_{DD})

| 1st Address (External) | 2nd Address (Internal) | 3rd Address (Internal) | 4th Address (Internal) |
|------------------------|------------------------|------------------------|------------------------|
| X...X00 | X...X01 | X...X10 | X...X11 |
| X...X01 | X...X00 | X...X11 | X...X10 |
| X...X10 | X...X11 | X...X00 | X...X01 |
| X...X11 | X...X10 | X...X01 | X...X00 |

WRITE TRUTH TABLE

| Cycle Type | SGW | SW | SBa | SBb | SBc (See Note 1) | SBd (See Note 1) |
|---------------------------|-----|----|-----|-----|---------------------|---------------------|
| Read | H | H | X | X | X | X |
| Read | H | L | H | H | H | H |
| Write Byte a | H | L | L | H | H | H |
| Write Byte b | H | L | H | L | H | H |
| Write Byte c (See Note 1) | H | L | L | H | L | H |
| Write Byte d (See Note 1) | H | L | H | L | H | L |
| Write All Bytes | H | L | L | L | L | L |
| Write All Bytes | L | X | X | X | X | X |

NOTE:

1. Valid only for MCM63P736.

ABSOLUTE MAXIMUM RATINGS (See Note 1)

| Rating | Symbol | Value | Unit | Notes |
|--|-------------------|-----------------------------------|--------------------|-------|
| Power Supply Voltage | V_{DD} | $V_{SS} - 0.5$ to $+4.6$ | V | |
| I/O Supply Voltage | V_{DDQ} | $V_{SS} - 0.5$ to V_{DD} | V | 2 |
| Input Voltage Relative to V_{SS} for Any Pin Except V_{DD} | V_{in}, V_{out} | $V_{SS} - 0.5$ to $V_{DD} + 0.5$ | V | 2 |
| Input Voltage (Three-State I/O) | V_{IT} | $V_{SS} - 0.5$ to $V_{DDQ} + 0.5$ | V | 2 |
| Output Current (per I/O) | I_{out} | ± 20 | mA | |
| Package Power Dissipation | P_D | 1.6 | W | 3 |
| Ambient Temperature | T_A | 0 to 70 | $^{\circ}\text{C}$ | |
| Die Temperature | T_J | 110 | $^{\circ}\text{C}$ | 3 |
| Temperature Under Bias | T_{bias} | -10 to 85 | $^{\circ}\text{C}$ | |
| Storage Temperature | T_{stg} | -55 to 125 | $^{\circ}\text{C}$ | |

This device contains circuitry to protect the inputs against damage due to high static voltages or electric fields; however, it is advised that normal precautions be taken to avoid application of any voltage higher than maximum rated voltages to this high-impedance circuit.

NOTES:

1. Permanent device damage may occur if ABSOLUTE MAXIMUM RATINGS are exceeded. Functional operation should be restricted to RECOMMENDED OPERATING CONDITIONS. Exposure to higher than recommended voltages for extended periods of time could affect device reliability.
2. This is a steady-state DC parameter that is in effect after the power supply has achieved its nominal operating level. Power sequencing is not necessary.
3. Power dissipation capability is dependent upon package characteristics and use environment. See Package Thermal Characteristics.

PACKAGE THERMAL CHARACTERISTICS — PBGA

| Rating | Symbol | Max | Unit | Notes |
|---------------------------------|-----------------|----------|-----------------------------|-------|
| Junction to Ambient (@ 200 lfm) | $R_{\theta JA}$ | 38 22 | $^{\circ}\text{C}/\text{W}$ | 1, 2 |
| Junction to Board (Bottom) | $R_{\theta JB}$ | 14 | $^{\circ}\text{C}/\text{W}$ | 3 |
| Junction to Case (Top) | $R_{\theta JC}$ | 5 | $^{\circ}\text{C}/\text{W}$ | 4 |

NOTES:

1. Junction temperature is a function of on-chip power dissipation, package thermal resistance, mounting site (board) temperature, ambient temperature, air flow, board population, and board thermal resistance.
2. Per SEMI G38-87.
3. Indicates the average thermal resistance between the die and the printed circuit board.
4. Indicates the average thermal resistance between the die and the case top surface via the cold plate method (MIL SPEC-883 Method 1012.1).

DC OPERATING CONDITIONS AND CHARACTERISTICS
 ($V_{DD} = 3.3\text{ V} + 10\%, -5\%$, $T_A = 0\text{ to }70^\circ\text{C}$, Unless Otherwise Noted)

RECOMMENDED OPERATING CONDITIONS: 2.5 V I/O SUPPLY (Voltages Referenced to $V_{SS} = 0\text{ V}$)

| Parameter | Symbol | Min | Typ | Max | Unit |
|-----------------------------|-----------|-------|-----|-----------------|------|
| Supply Voltage | V_{DD} | 3.135 | 3.3 | 3.6 | V |
| I/O Supply Voltage | V_{DDQ} | 2.375 | 2.5 | 2.9 | V |
| Input Low Voltage | V_{IL} | -0.3 | — | 0.7 | V |
| Input High Voltage | V_{IH} | 1.7 | — | $V_{DD} + 0.3$ | V |
| Input High Voltage I/O Pins | V_{IH2} | 1.7 | — | $V_{DDQ} + 0.3$ | V |

RECOMMENDED OPERATING CONDITIONS: 3.3 V I/O SUPPLY (Voltages Referenced to $V_{SS} = 0\text{ V}$)

| Parameter | Symbol | Min | Typ | Max | Unit |
|-----------------------------|-----------|-------|-----|-----------------|------|
| Supply Voltage | V_{DD} | 3.135 | 3.3 | 3.6 | V |
| I/O Supply Voltage | V_{DDQ} | 3.135 | 3.3 | V_{DD} | V |
| Input Low Voltage | V_{IL} | -0.5 | — | 0.8 | V |
| Input High Voltage | V_{IH} | 2 | — | $V_{DD} + 0.5$ | V |
| Input High Voltage I/O Pins | V_{IH2} | 2 | — | $V_{DDQ} + 0.5$ | V |

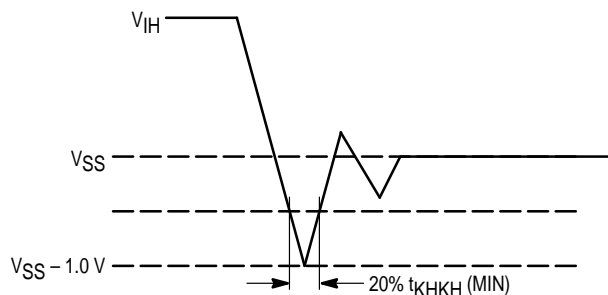


Figure 1. Undershoot Voltage

DC CHARACTERISTICS AND SUPPLY CURRENTS

| Parameter | Symbol | Min | Typ | Max | Unit | Notes |
|--|-------------|-----|-----|---------|---------------|---------|
| Input Leakage Current ($0\text{ V} \leq V_{in} \leq V_{DD}$) | $I_{kg}(I)$ | — | — | ± 1 | μA | 1 |
| Output Leakage Current ($0\text{ V} \leq V_{in} \leq V_{DDQ}$) | $I_{kg}(O)$ | — | — | ± 1 | μA | |
| AC Supply Current (Device Selected, All Outputs Open, Freq = Max) Includes V_{DD} and V_{DDQ} | I_{DDA} | — | — | TBD | mA | 2, 3, 4 |
| CMOS Standby Supply Current (Device Deselected, Freq = 0, $V_{DD} = \text{Max}$, $V_{DDQ} = \text{Max}$, All Inputs Static at CMOS Levels) | I_{SB2} | — | — | TBD | mA | 5, 6 |
| Sleep Mode Standby Current (Device Deselected, Freq = Max, $V_{DD} = \text{Max}$, $V_{DDQ} = \text{Max}$, All Other Inputs Static at CMOS Levels, $ZZ \geq V_{DD} - 0.2\text{ V}$.) | I_{ZZ} | — | — | 2 | mA | 1, 5, 6 |
| TTL Standby Supply Current (Device Deselected, Freq = 0, $V_{DD} = \text{Max}$, $V_{DDQ} = \text{Max}$, All Inputs Static at TTL Levels) | I_{SB3} | — | — | TBD | mA | 5, 7 |
| Clock Running (Device Deselected, Freq = Max, $V_{DD} = \text{Max}$, $V_{DDQ} = \text{Max}$, All Inputs Toggling at CMOS Levels) | I_{SB4} | — | — | TBD | mA | 5, 6 |
| Static Clock Running (Device Deselected, Freq = Max, $V_{DD} = \text{Max}$, $V_{DDQ} = \text{Max}$, All Inputs Static at TTL Levels) | I_{SB5} | — | — | TBD | mA | 5, 6 |
| Output Low Voltage ($I_{OL} = 2\text{ mA}$) $V_{DDQ} = 2.5\text{ V}$ | V_{OL} | — | — | 0.7 | V | |
| Output High Voltage ($I_{OL} = -2\text{ mA}$) $V_{DDQ} = 2.5\text{ V}$ | V_{OH} | 1.7 | — | — | V | |
| Output Low Voltage ($I_{OL} = 8\text{ mA}$) $V_{DDQ} = 3.3\text{ V}$ | V_{OL2} | — | — | 0.4 | V | |
| Output High Voltage ($I_{OL} = -4\text{ mA}$) $V_{DDQ} = 3.3\text{ V}$ | V_{OH2} | 2.4 | — | — | V | |

NOTES:

- LBO and ZZ pins have an internal pullup and will exhibit leakage currents of $\pm 5\ \mu\text{A}$.
- Reference AC Operating Conditions and Characteristics for input and timing.
- All addresses transition simultaneously low (LSB) then high (MSB).
- Data states are all zero.
- Device is deselected as defined by the Truth Table.
- CMOS levels for I/O's are $V_{IT} \leq V_{SS} + 0.2\text{ V}$ or $\geq V_{DDQ} - 0.2\text{ V}$. CMOS levels for other inputs are $V_{in} \leq V_{SS} + 0.2\text{ V}$ or $\geq V_{DD} - 0.2\text{ V}$.
- TTL levels for I/O's are $V_{IT} \leq V_{IL}$ or $\geq V_{IH2}$. TTL levels for other inputs are $V_{in} \leq V_{IL}$ or $\geq V_{IH}$.

AC OPERATING CONDITIONS AND CHARACTERISTICS
 (V_{DD} = 3.3 V + 10%, - 5%, T_A = 0 to 70°C, Unless Otherwise Noted)

Input Timing Measurement Reference Level 1.25 V
 Input Pulse Levels 0 to 2.5 V
 Input Rise/Fall Time 1.0 V/ns (20 to 80%)

Output Timing Reference Level 1.25 V
 Output Load See Figure 2 Unless Otherwise Noted

READ/WRITE CYCLE TIMING (See Notes 1 and 2)

| Parameter | Symbol | MCM63P736-133 MCM63P818-133 | | MCM63P736-100 MCM63P818-100 | | MCM63P737-66 MCM63P819-66 | | Unit | Notes |
|---|---|--------------------------------|-----|--------------------------------|-----|------------------------------|-----|------|-------|
| | | Min | Max | Min | Max | Min | Max | | |
| Cycle Time | t _{KHKH} | 7.5 | — | 10 | — | 15 | — | ns | |
| Clock High Pulse Width | t _{KHKL} | 3 | — | 4 | — | 6 | — | ns | 3 |
| Clock Low Pulse Width | t _{KLKH} | 3 | — | 4 | — | 6 | — | ns | 3 |
| Clock Access Time | t _{KHQV} | — | 4 | — | 5 | — | 7 | ns | |
| Output Enable to Output Valid | t _{GLQV} | — | 3.8 | — | 4 | — | 6 | ns | |
| Clock High to Output Active | t _{KHQX1} | 0 | — | 0 | — | 0 | — | ns | 4, 5 |
| Clock High to Output Change | t _{KHQX2} | 1.5 | — | 1.5 | — | 1.5 | — | ns | 4 |
| Output Enable to Output Active | t _{GLQX} | 0 | — | 0 | — | 0 | — | ns | 4, 5 |
| Output Disable to Q High-Z | t _{GHQZ} | — | 3.8 | — | 4 | — | 6 | ns | 4, 5 |
| Clock High to Q High-Z | t _{KHQZ} | 1.5 | 7.5 | 1.5 | 10 | 1.5 | 15 | ns | 4, 5 |
| Setup Times: _____ Address ADSP, ADSC, ADV _____ Data In _____ Write _____ Chip Enable | t _{ADKH} t _{ADSKH} t _{DVKH} t _{WVKH} t _{EVKH} | 2 | — | 2 | — | 2 | — | ns | |
| Hold Times: _____ Address ADSP, ADSC, ADV _____ Data In _____ Write _____ Chip Enable | t _{KHAX} t _{KHADSX} t _{KHDX} t _{KHWX} t _{KHEX} | 0.5 | — | 0.5 | — | 0.5 | — | ns | |

NOTES:

1. Write is defined as either any \overline{SBx} and \overline{SW} low or \overline{SGW} is low. Chip Enable is defined as $\overline{SE1}$ low, $\overline{SE2}$ high, and $\overline{SE3}$ low whenever \overline{ADSP} or \overline{ADSC} is asserted.
2. All read and write cycle timings are referenced from K or G.
3. In order to reduce test correlation issues and to reduce the effects of application specific input edge rate variations on correlation between data sheet parameters and actual system performance, FSRAM AC parametric specifications are always specified at V_{DDQ}/2. In some design exercises, it is desirable to evaluate timing using other reference levels. Since the maximum test input edge rate is known and is given in the AC Test Conditions section of the data sheet as 1 V/ns, one can easily interpolate timing values to other reference levels.
4. This parameter is sampled and not 100% tested.
5. Measured at ± 200 mV from steady state.

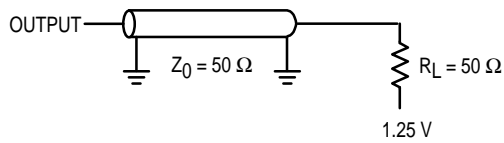


Figure 2. AC Test Load

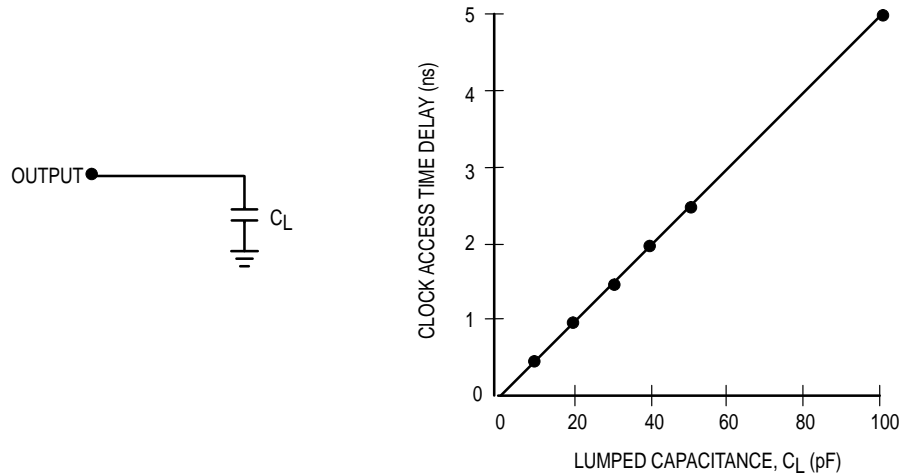
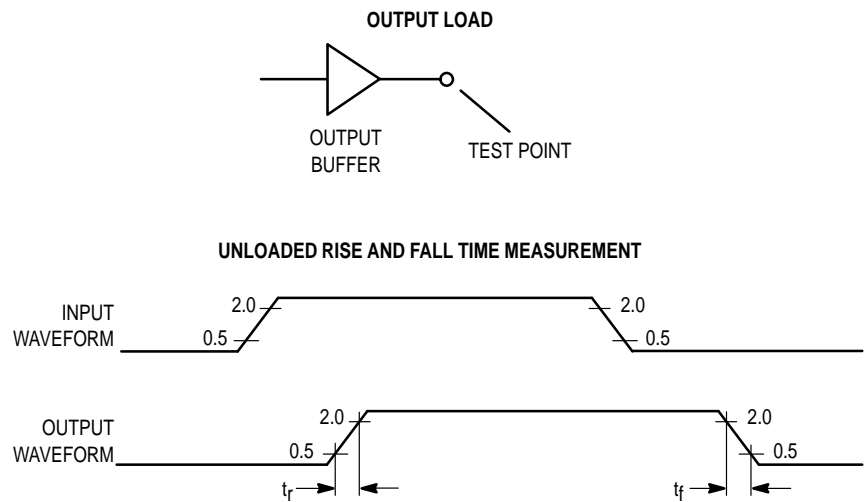


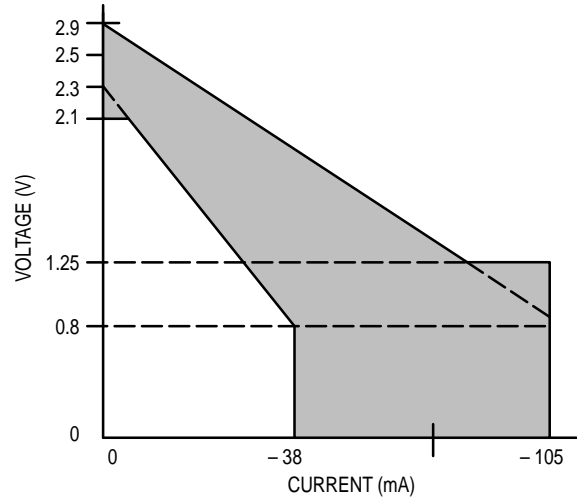
Figure 3. Lumped Capacitive Load and Typical Derating Curve



- NOTES:
1. Input waveform has a slew rate of 1 V/ns.
 2. Rise time is measured from 0.5 to 2.0 V unloaded.
 3. Fall time is measured from 2.0 to 0.5 V unloaded.

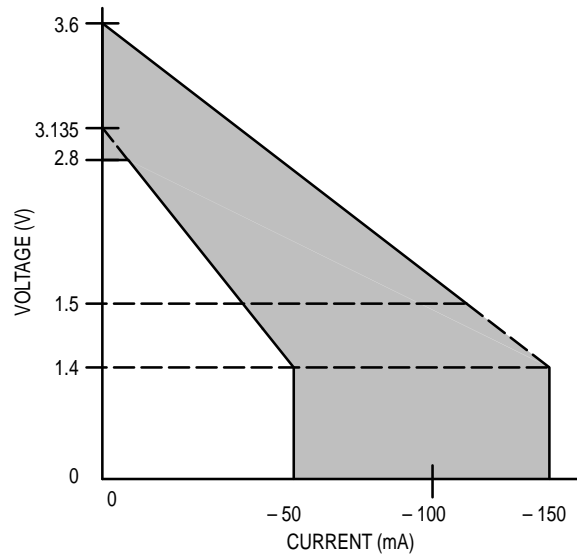
Figure 4. Unloaded Rise and Fall Time Characterization

| PULL-UP | | |
|-------------|------------|------------|
| VOLTAGE (V) | I (mA) MIN | I (mA) MAX |
| -0.5 | -38 | -105 |
| 0 | -38 | -105 |
| 0.8 | -38 | -105 |
| 1.25 | -26 | -83 |
| 1.5 | -20 | -70 |
| 2.3 | 0 | -30 |
| 2.7 | 0 | -10 |
| 2.9 | 0 | 0 |



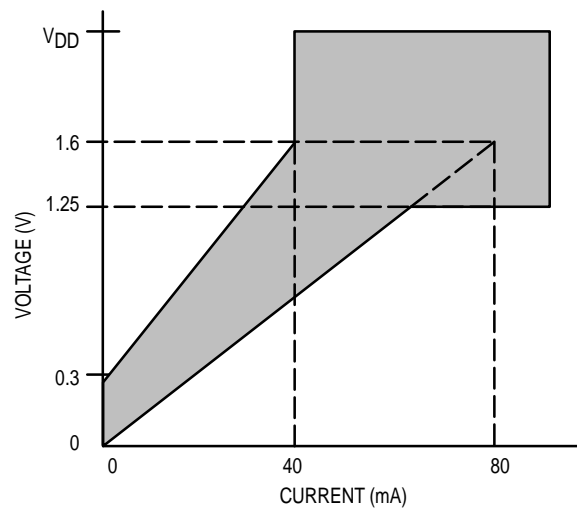
(a) Pull-Up for 2.5 V I/O Supply

| PULL-UP | | |
|-------------|------------|------------|
| VOLTAGE (V) | I (mA) MIN | I (mA) MAX |
| -0.5 | -50 | -150 |
| 0 | -50 | -150 |
| 1.4 | -50 | -150 |
| 1.65 | -46 | -130 |
| 2.0 | -35 | -101 |
| 3.135 | 0 | -25 |
| 3.6 | 0 | 0 |



(b) Pull-Up for 3.3 V I/O Supply

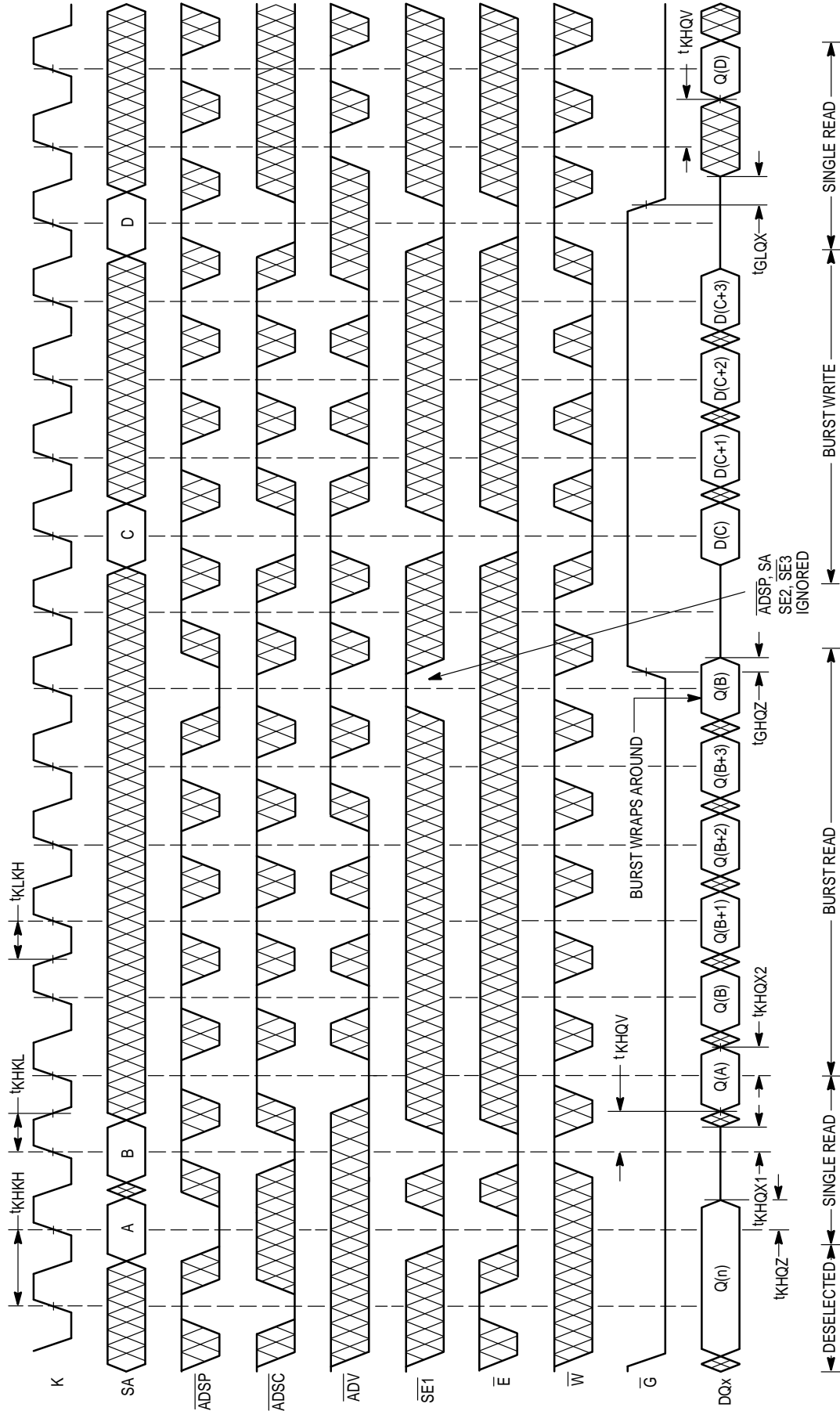
| PULL-DOWN | | |
|-------------|------------|------------|
| VOLTAGE (V) | I (mA) MIN | I (mA) MAX |
| -0.5 | 0 | 0 |
| 0 | 0 | 0 |
| 0.4 | 10 | 20 |
| 0.8 | 20 | 40 |
| 1.25 | 31 | 63 |
| 1.6 | 40 | 80 |
| 2.8 | 40 | 80 |
| 3.2 | 40 | 80 |
| 3.4 | 40 | 80 |



(c) Pull-Down

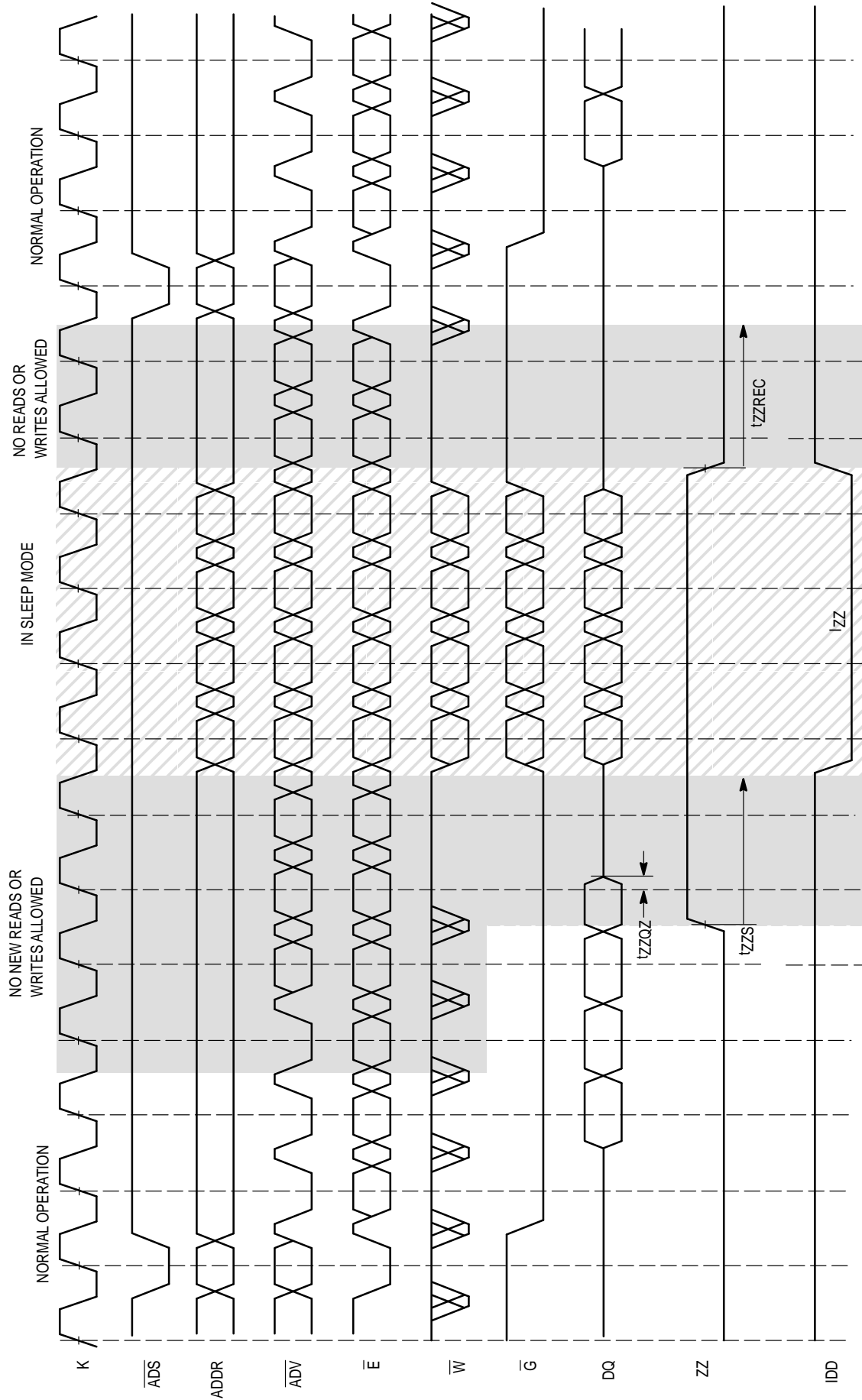
Figure 5. Typical Output Buffer Characteristics

READ/WRITE CYCLES



NOTE: \bar{E} low = SE2 high and $\bar{SE3}$ low.
 \bar{W} low = SGW low and/or SW and \bar{SBx} low.

SLEEP MODE TIMING



NOTE: $\overline{\text{ADS}}$ low = $\overline{\text{ADSC}}$ low or $\overline{\text{ADSP}}$ low.
 $\overline{\text{ADS}}$ high = both $\overline{\text{ADSC}}$, $\overline{\text{ADSP}}$ high.
 $\overline{\text{E}}$ low = $\overline{\text{SE1}}$ low, $\overline{\text{SE2}}$ high, $\overline{\text{SE3}}$ low.
 I_{ZZ} (max) specifications will not be met if inputs toggle.

APPLICATION INFORMATION

SLEEP MODE

A sleep mode feature, the ZZ pin, has been implemented on the MCM63P736 and MCM63P818. It allows the system designer to place the RAM in the lowest possible power condition by asserting ZZ. The sleep mode timing diagram shows the different modes of operation: Normal Operation, No READ/WRITE Allowed, and Sleep Mode. Each mode has its own set of constraints and conditions that are allowed.

Normal Operation: All inputs must meet setup and hold times prior to sleep and t_{ZZREC} nanoseconds after recovering from sleep. Clock (K) must also meet cycle, high, and low times during these periods. Two cycles prior to sleep, initiation of either a read or write operation is not allowed.

No READ/WRITE: During the period of time just prior to sleep and during recovery from sleep, the assertion of either ADSP, ADSP, or any write signal is not allowed. If a write operation occurs during these periods, the memory array may be corrupted. Validity of data out from the RAM can not be guaranteed immediately after ZZ is asserted (prior to being in sleep).

Sleep Mode: The RAM automatically deselects itself. The RAM disconnects its internal clock buffer. The external clock

may continue to run without impacting the RAMs sleep current (I_{ZZ}). All inputs are allowed to toggle — the RAM will not be selected and perform any reads or writes. However, if inputs toggle, the I_{ZZ} (max) specification will not be met.

NON-BURST SYNCHRONOUS OPERATION

Although this BurstRAM has been designed for PowerPC- and Pentium-based systems, these SRAMs can be used in other high speed L2 cache or memory applications that do not require the burst address feature. Most L2 caches designed with a synchronous interface can make use of the MCM63P736 and MCM63P818. The burst counter feature of the BurstRAMs can be disabled, and the SRAMs can be configured to act upon a continuous stream of addresses. See Figure 6.

CONTROL PIN TIE VALUES ($H \geq V_{IH}$, $L \leq V_{IL}$)

| Non-Burst | ADSP | ADSC | ADV | SE1 | LBO |
|--------------------------------|------|------|-----|-----|-----|
| Sync Non-Burst, Pipelined SRAM | H | L | H | L | X |

NOTE: Although X is specified in the table as a don't care, the pin must be tied either high or low.

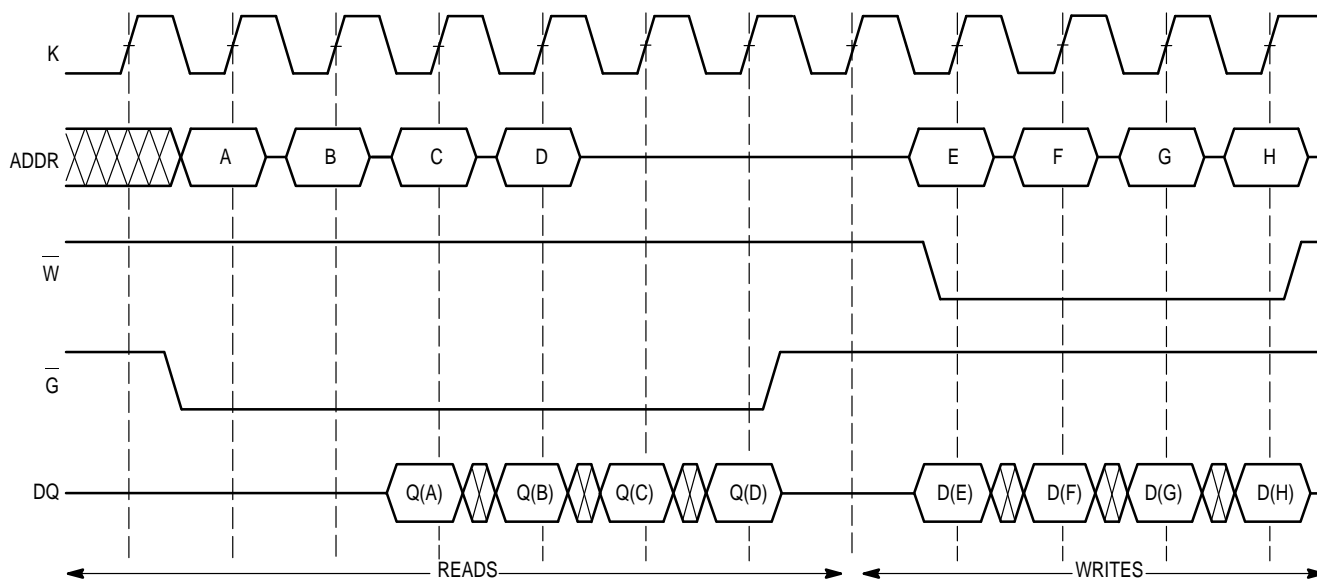
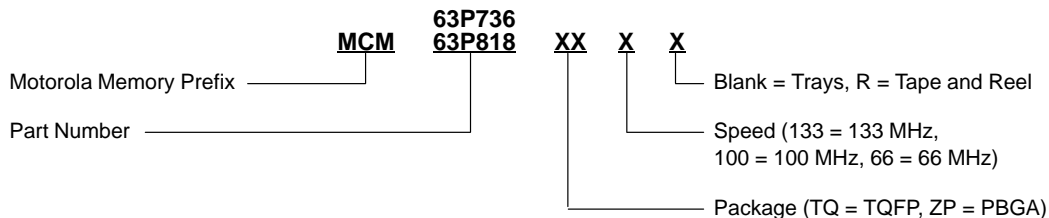


Figure 6. Configured as Non-Burst Synchronous SRAM

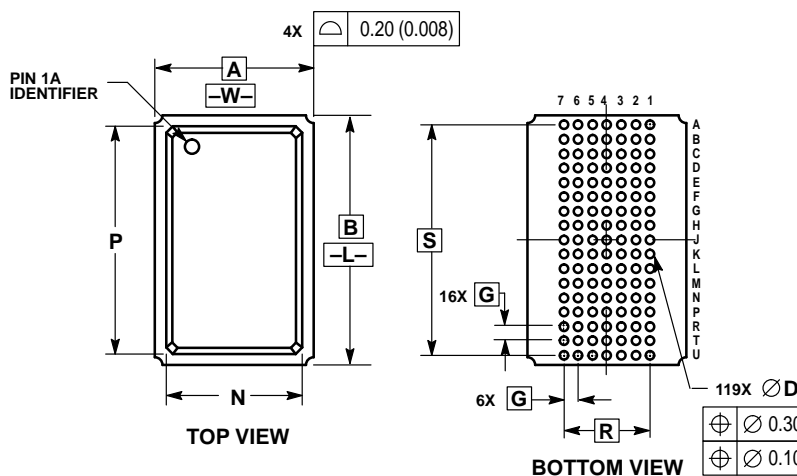
ORDERING INFORMATION (Order by Full Part Number)



| | | | |
|---------------------|-----------------|-----------------|----------------|
| Full Part Numbers — | MCM63P736TQ133 | MCM63P736TQ100 | MCM63P736TQ66 |
| | MCM63P736TQ133R | MCM63P736TQ100R | MCM63P736TQ66R |
| | MCM63P736ZP133 | MCM63P736ZP100 | MCM63P736ZP66 |
| | MCM63P736ZP133R | MCM63P736ZP100R | MCM63P736ZP66R |
| | MCM63P818TQ133 | MCM63P818TQ100 | MCM63P818TQ66 |
| | MCM63P818TQ133R | MCM63P818TQ100R | MCM63P818TQ66R |
| | MCM63P818ZP133 | MCM63P818ZP100 | MCM63P818ZP66 |
| | MCM63P818ZP133R | MCM63P818ZP100R | MCM63P818ZP66R |

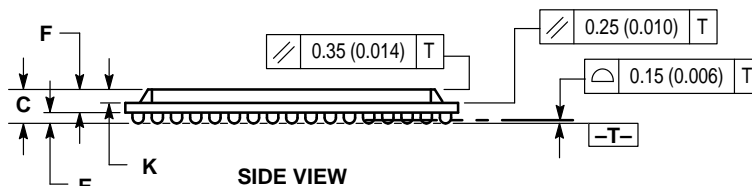
PACKAGE DIMENSIONS

ZP PACKAGE 7 x 17 BUMP PBGA CASE 999-01



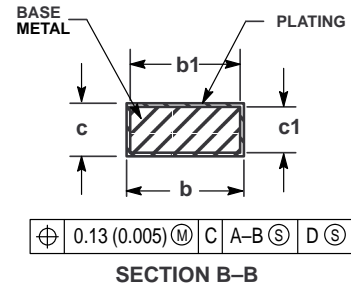
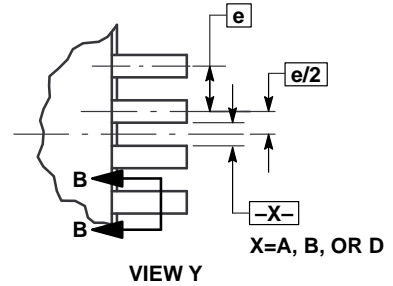
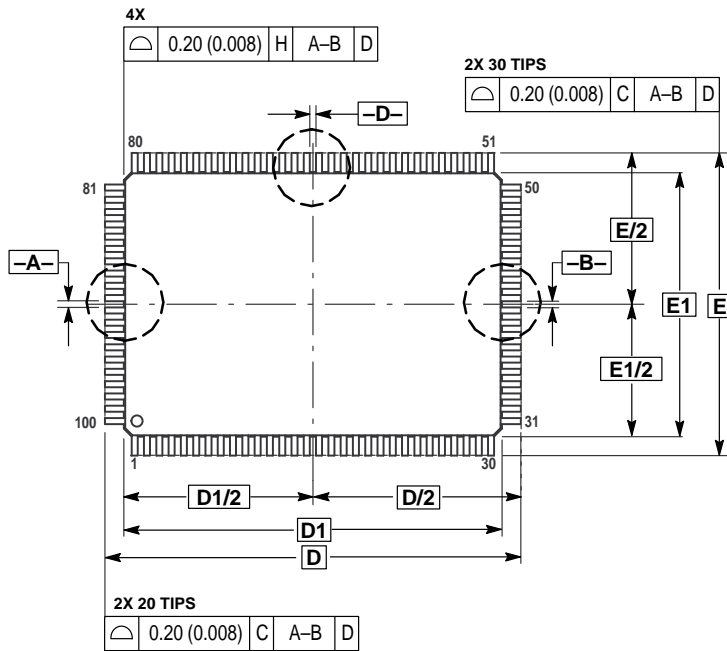
- NOTES:
- DIMENSIONING AND TOLERANCING PER ANSI Y14.5M, 1982.
 - CONTROLLING DIMENSION: MILLIMETER.

| DIM | MILLIMETERS | | INCHES | |
|-----|-------------|-------|--------|-------|
| | MIN | MAX | MIN | MAX |
| A | 14.00 | BSC | 0.551 | BSC |
| B | 22.00 | BSC | 0.866 | BSC |
| C | — | 2.40 | — | 0.094 |
| D | 0.60 | 0.90 | 0.024 | 0.035 |
| E | 0.50 | 0.70 | 0.020 | 0.028 |
| F | 1.30 | 1.70 | 0.051 | 0.067 |
| G | 1.27 | BSC | 0.050 | BSC |
| K | 0.80 | 1.00 | 0.031 | 0.039 |
| N | 11.90 | 12.10 | 0.469 | 0.476 |
| P | 19.40 | 19.60 | 0.764 | 0.772 |
| R | 7.62 | BSC | 0.300 | BSC |
| S | 20.32 | BSC | 0.800 | BSC |



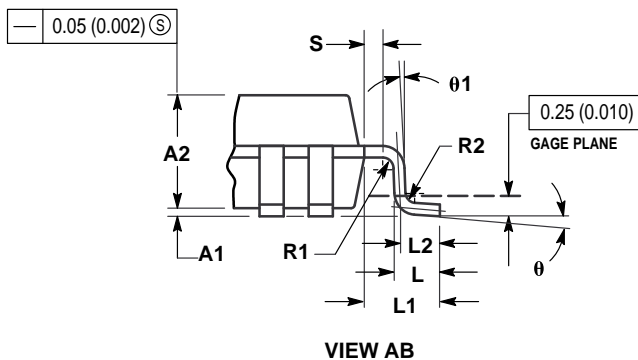
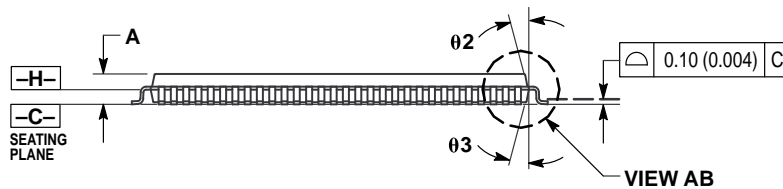
Motorola reserves the right to make changes without further notice to any products herein. Motorola makes no warranty, representation or guarantee regarding the suitability of its products for any particular purpose, nor does Motorola assume any liability arising out of the application or use of any product or circuit, and specifically disclaims any and all liability, including without limitation consequential or incidental damages. "Typical" parameters which may be provided in Motorola data sheets and/or specifications can and do vary in different applications and actual performance may vary over time. All operating parameters, including "Typicals" must be validated for each customer application by customer's technical experts. Motorola does not convey any license under its patent rights nor the rights of others. Motorola products are not designed, intended, or authorized for use as components in systems intended for surgical implant into the body, or other applications intended to support or sustain life, or for any other application in which the failure of the Motorola product could create a situation where personal injury or death may occur. Should Buyer purchase or use Motorola products for any such unintended or unauthorized application, Buyer shall indemnify and hold Motorola and its officers, employees, subsidiaries, affiliates, and distributors harmless against all claims, costs, damages, and expenses, and reasonable attorney fees arising out of, directly or indirectly, any claim of personal injury or death associated with such unintended or unauthorized use, even if such claim alleges that Motorola was negligent regarding the design or manufacture of the part. Motorola and are registered trademarks of Motorola, Inc. Motorola, Inc. is an Equal Opportunity/Affirmative Action Employer.

TQ PACKAGE
TQFP
CASE 983A-01



NOTES:

- DIMENSIONING AND TOLERANCING PER ANSI Y14.5M, 1982.
- CONTROLLING DIMENSION: MILLIMETER.
- DATUM PLANE -H- IS LOCATED AT BOTTOM OF LEAD AND IS COINCIDENT WITH THE LEAD WHERE THE LEAD EXITS THE PLASTIC BODY AT THE BOTTOM OF THE PARTING LINE.
- DATUMS -A-, -B- AND -D- TO BE DETERMINED AT DATUM PLANE -H-.
- DIMENSIONS D AND E TO BE DETERMINED AT SEATING PLANE -C-.
- DIMENSIONS D1 AND E1 DO NOT INCLUDE MOLD PROTRUSION. ALLOWABLE PROTRUSION IS 0.25 (0.010) PER SIDE. DIMENSIONS D1 AND B1 DO INCLUDE MOLD MISMATCH AND ARE DETERMINED AT DATUM PLANE -H-.
- DIMENSION b DOES NOT INCLUDE DAMBAR PROTRUSION. DAMBAR PROTRUSION SHALL NOT CAUSE THE b DIMENSION TO EXCEED 0.45 (0.018).



| DIM | MILLIMETERS | | INCHES | |
|------------|-------------|------|-----------|-------|
| | MIN | MAX | MIN | MAX |
| A | — | 1.60 | — | 0.063 |
| A1 | 0.05 | 0.15 | 0.002 | 0.008 |
| A2 | 1.35 | 1.45 | 0.053 | 0.057 |
| b | 0.22 | 0.38 | 0.009 | 0.015 |
| b1 | 0.22 | 0.33 | 0.009 | 0.013 |
| c | 0.09 | 0.20 | 0.004 | 0.008 |
| c1 | 0.09 | 0.16 | 0.004 | 0.006 |
| D | 22.00 BSC | | 0.866 BSC | |
| D1 | 20.00 BSC | | 0.787 BSC | |
| E | 16.00 BSC | | 0.630 BSC | |
| E1 | 14.00 BSC | | 0.551 BSC | |
| e | 0.65 BSC | | 0.026 BSC | |
| L | 0.45 | 0.75 | 0.018 | 0.030 |
| L1 | 1.00 REF | | 0.039 REF | |
| L2 | 0.50 REF | | 0.020 REF | |
| S | 0.20 | — | 0.008 | — |
| R1 | 0.08 | — | 0.003 | — |
| R2 | 0.08 | 0.20 | 0.003 | 0.008 |
| θ | 0° | 7° | 0° | 7° |
| $\theta 1$ | 0° | — | 0° | — |
| $\theta 2$ | 11° | 13° | 11° | 13° |
| $\theta 3$ | 11° | 13° | 11° | 13° |

Mfax is a trademark of Motorola, Inc.

How to reach us:

USA/EUROPE/Locations Not Listed: Motorola Literature Distribution;
 P.O. Box 5405, Denver, Colorado, 80217. 1-303-675-2140 or 1-800-441-2447

Mfax™: RMFAX0@email.sps.mot.com — TOUCHTONE 1-602-244-6609
 Motorola Fax Back System — US & Canada ONLY 1-800-774-1848
 — http://sps.motorola.com/mfax/

HOME PAGE: http://motorola.com/sps/

JAPAN: Nippon Motorola Ltd.; SPD, Strategic Planning Office; 4-32-1,
 Nishi-Gotanda; Shinagawa-ku, Tokyo 141, Japan. 81-3-5487-8488

ASIA/PACIFIC: Motorola Semiconductors H.K. Ltd.; 8B Tai Ping Industrial Park,
 51 Ting Kok Road, Tai Po, N.T., Hong Kong. 852-26629298

CUSTOMER FOCUS CENTER: 1-800-521-6274

