

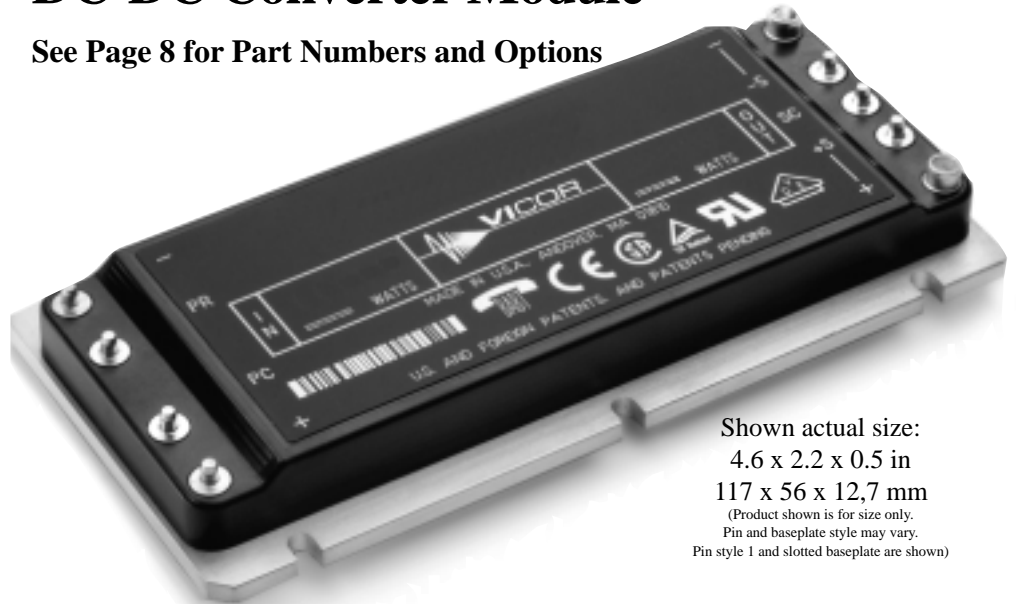


# 24Vin / 2Vout / 160Watts DC-DC Converter Module

See Page 8 for Part Numbers and Options

## Features

- DC input range: 18 - 36V
- Input surge withstand: 50V for 100ms
- DC output: 2V
- Programmable output: 10 to 110%
- Regulation:  $\pm 0.2\%$  no load to full load
- Efficiency: 71.6%
- Maximum operating temperature: 100°C at full load
- Power density: 32W/cubic inch
- Height above board: 0.43 in. (10.9 mm)
- Parallelable, with N+M fault tolerance
- Low noise ZCS/ZVS architecture
- Pin style: See Page 6
- Baseplate: See Page 7



Shown actual size:  
4.6 x 2.2 x 0.5 in  
117 x 56 x 12.7 mm

(Product shown is for size only.  
Pin and baseplate style may vary.  
Pin style 1 and slotted baseplate are shown)

## Product Overview

This DC-DC converter module uses 2nd Generation power processing, control and packaging technologies to provide the performance, flexibility and cost effectiveness expected of a mature power component. For example, a plated-cavity core transformer couples widely separated primary and secondary windings, resulting in low in-to-out parasitic capacitance and noise. High frequency ZCS/ZVS switching, advanced power semiconductor packaging and thermal management provide high power density with low temperature gradients. Extensive use of silicon integration results in 1/3 the part count of a 1st Generation converter.

This converter is manufactured in a state-of-the-art automated manufacturing facility on a short-cycle-time robotic line having a capacity of one module every ten seconds. In-line process controls are designed to achieve low defect rates and consistent quality. A comprehensive CIM system controls the dispatching, assembly and testing of each module, enabling small lots to be manufactured as efficiently as hundreds-of-thousands of units.

## Absolute Maximum Ratings

Parameter	Rating	Unit	Notes
+In to -In voltage	-0.5 to +36.0	Vdc	
+In to -In voltage	50	Vdc	<100ms
PC to -In voltage	-0.5 to +7.0	Vdc	
PR to -In voltage	-0.5 to +7.0	Vdc	
+Out to -Out voltage	-0.5 to +3.1	Vdc	
+Sense to -Out voltage	-0.5 to +3.1	Vdc	
-Sense to -Out voltage	1.0	Vdc	
SC to -Out voltage	-0.5 to +1.5	Vdc	
Isolation voltage (in to out)	3000	Vrms	
Isolation voltage (in to base)	1550	Vrms	
Isolation voltage (out to base)	500	Vrms	
Storage temperature	See Page 8	°C	125 Max
Operating temperature	See Page 8	°C	Baseplate
Pin soldering temperature	500 (260)	°F (°C)	<5 sec; wave solder
Pin soldering temperature	750 (390)	°F (°C)	<7 sec; hand solder
Mounting torque	5 (0.57)	in-lbs (N-m)	6 each, # 4-40 or M3

## Thermal Resistance and Capacity

Parameter	Min	Typ	Max	Unit
Baseplate to sink; flat, greased surface		0.08		°C/Watt
Baseplate to sink; thermal pad (P/N 20263)		0.07		°C/Watt
Baseplate to ambient		4.9		°C/Watt
Baseplate to ambient; 1000 LFM		1.1		°C/Watt
Thermal capacity		165		Watt-sec/°C

## ELECTRICAL CHARACTERISTICS

Electrical characteristics apply over the full operating range of input voltage, output load (resistive) and baseplate temperature, unless otherwise specified. All temperatures refer to the operating temperature at the center of the baseplate.

### ■ MODULE OPERATING SPECIFICATIONS

Parameter	Min	Typ	Max	Unit	Notes
Operating input voltage	18	24	36	Vdc	
Input surge withstand			50	Vdc	<100ms
Output voltage setpoint	1.98	2.00	2.02	Vdc	Nominal input; full load; 25°C
Output OVP setpoint	2.79	2.90	3.01	Vdc	25°C; recycle input voltage to restart ( 1 minute off )
Output power			160	Watts	At 100°C baseplate temperature
Efficiency	69.0	71.6		%	Nominal input; 75% of full load; 25°C

### ■ MODULE INPUT SPECIFICATIONS

Parameter	Min	Typ	Max	Unit	Notes
Undervoltage turn-on		17.5	17.9	Vdc	
Undervoltage turn-off	14.77	15.30		Vdc	
Overvoltage turn-off/on	36.3	37.8	39.6	Vdc	
Dissipation, standby		5.1	8.2	Watts	No load

### ■ MODULE OUTPUT SPECIFICATIONS

Parameter	Min	Typ	Max	Unit	Notes
Line regulation		±0.02	±0.20	%	Low line to high line; full load
Load regulation		±0.06	±0.20	%	No load to full load; nominal input
Temperature regulation		±0.002	±0.005	% / °C	-20 to 100°C
Ripple and noise, p-p		50	63	mV	Nominal input; full load; 25°C; 20MHz bandwidth
Current limit	81.6	92.0	108.0	Amps	Output voltage 95% of nominal
Short circuit current	56	92	108	Amps	Output voltage <250mV
Power sharing accuracy		±2	±5	%	10 to 100% of full load
Programming range	10		110	%	Of nominal output voltage. For trimming below 90% of nominal, a minimum load of 10% of maximum rated power may be required.

**Note:** For important information relative to applications where the converter modules are subject to continuous dynamic loading, contact Vicor applications engineering at 800-927-9474.

## ELECTRICAL CHARACTERISTICS, continued

### ■ MODULE CONTROL SPECIFICATIONS

Parameter	Min	Typ	Max	Unit	Notes
<b>PRIMARY SIDE</b> (PC = Primary Control; PR = Parallel)					
PC bias voltage	5.50	5.75	6.00	Vdc	PC current = 1.0 mA
current limit	1.5	2.1	3.0	mA	PC voltage = 5.5V
PC module disable	2.3	2.6	2.9	Vdc	Must be able to sink $\geq 4$ mA. See Fig. 1
PC module enable delay		4	7	ms	
PC module alarm			0.5	Vavg	UV, OV, OT, module fault. See Figs. 2 and 4
PR emitter amplitude	5.7	5.9	6.1	Volts	PR load >30 ohms, < 30 pF
PR emitter current	150			mA	
PR receiver impedance	375	500	625	ohms	25°C
PR receiver threshold	2.4	2.5	2.6	Volts	Minimum pulse width: 20ns
PR drive capability			12	modules	Without PR buffer amplifier
<b>SECONDARY SIDE</b> (SC = Secondary Control)					
SC bandgap voltage	1.21	1.23	1.25	Vdc	Referenced to –Sense
SC resistance	990	1000	1010	ohms	
SC capacitance		0.033		$\mu$ F	
SC module alarm		0		Vdc	With open trim; referenced to –Sense. See Fig. 6

### ■ MODULE GENERAL SPECIFICATIONS

Parameter	Min	Typ	Max	Unit	Notes
Remote sense (total drop)			0.5	Vdc	0.25V per leg (senses must be closed)
Isolation voltage (in to out)	3000			Vrms	Complies with reinforced insulation requirements
Isolation voltage (in to base)	1550			Vrms	Complies with basic insulation requirements
Isolation voltage (out to base)	500			Vrms	Complies with operational insulation requirements
Isolation resistance (in to out)		10		megohms	
Weight		7.3 (210)	8 (227)	ounces (grams)	
Temperature limiting	100	115		°C	See Figs. 2 and 4
Agency approvals available	UL, CSA, TÜV, BABT, CE, VDE				UL1950, CSA950, EN60950, VDE0805, BS7002, IEC60950. With a fuse in series with the +Input

# CONTROL FUNCTIONS - PC PIN

## Module Enable/Disable

The module may be disabled by pulling PC below 2.3V with respect to the -Input. This may be done with an open collector transistor, relay, or optocoupler. Multiple converters may be disabled with a single transistor or relay either directly or via "OR'ing" diodes. See Figure 1.

## Primary Auxiliary Supply

At 5.7V, PC can source up to 1.5mA. In the example shown in Figure 3, PC powers a module enabled LED.



Figure 1—Module enable/disable.



Figure 3—LED on-state indicator.



Figure 5—Isolated on-state indicator.

## Module Alarm

The module contains "watchdog" circuitry which monitors input voltage, operating temperature and internal operating parameters. In the event that any of these parameters are outside of their allowable operating range, the module will shut down and PC will go low. PC will periodically go high and the module will check to see if the fault (as an example, overtemperature) has cleared. If the fault has not been cleared, PC will go low again and the cycle will restart. The SC pin will go low in the event of a fault and return to its normal state after the fault has been cleared. See Figures 2 and 4.



Figure 2—PC/SC module alarm logic.



Figure 4—PC/SC module alarm timing.



Figure 6—Secondary side on-state indicator.

# CONTROL FUNCTIONS - SC PIN

## Output Voltage Programming

The output voltage of the converter can be adjusted or programmed via fixed resistors, potentiometers or voltage DACs. See Figures 7 and 8.



Figure 7—Output voltage trim down circuit.

### Trim Down

1. This converter is not a constant power device – it has a constant current limit. Hence, available output power is reduced by the same percentage that output voltage is trimmed down. Do not exceed maximum rated output current.
2. The trim down resistor must be connected to the –Sense pin.

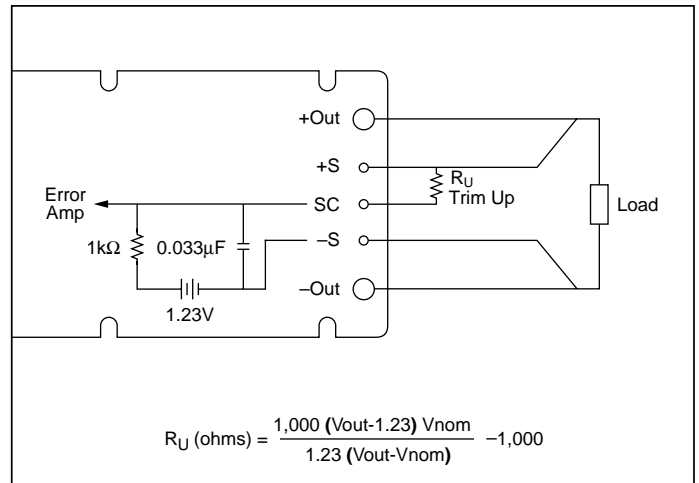
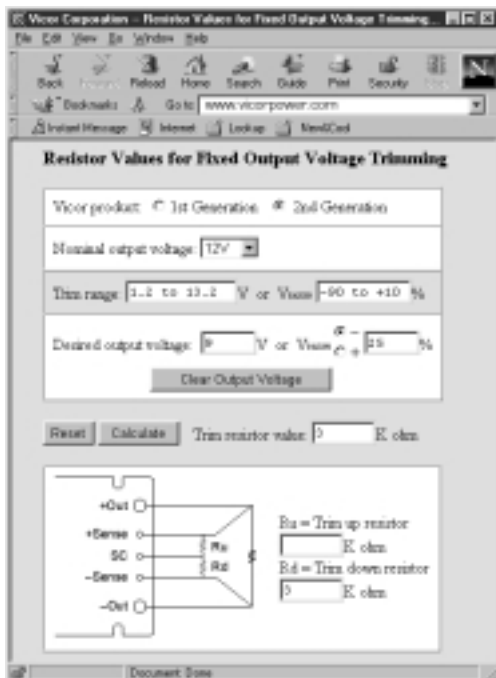


Figure 8—Output voltage trim up circuit.

### Trim Up

1. The converter is rated for a maximum delivered power. To ensure that maximum rated power is not exceeded, reduce maximum output current by the same percentage increase in output voltage.
2. The trim up resistor must be connected to the +Sense pin.
3. Do not trim the converter above maximum trim range (typically +10%) or the output over voltage protection circuitry may be activated.



### Trim resistor values calculated automatically:

On-line calculators for trim resistor values are available on the vicor website at: [vicorpower.com/tools.html](http://vicorpower.com/tools.html).

Resistor values can be calculated for fixed trim up, fixed trim down and for variable trim up or down cases for both 1st and 2nd Generation DC-DC converters.

In addition to trimming information, the web site and the Applications Manual also include design tips, applications circuits, EMC suggestions, thermal design guidelines and PDF data sheets for all available Vicor products.

# CONTROL FUNCTIONS - PR PIN

## Parallel Operation

The PR pin supports paralleling for increased power with N+1 (N+M) redundancy and phased array capability. Modules of the same input voltage, output voltage, and power level will current share if all PR pins are suitably interfaced.

Compatible interface architectures include the following:

*DC coupled single-wire interface.* All PR pins are directly connected to one another. This interface supports current

sharing but is not fault tolerant. Minus In pins must be tied to the same electric potential. See Figure 9.

*AC coupled single-wire interface.* All PR pins are connected to a single communication bus through 0.001µF (500V) capacitors. This interface supports current sharing and is fault tolerant except for the communication bus. See Figure 10.



Figure 9—DC coupled single-wire interface.

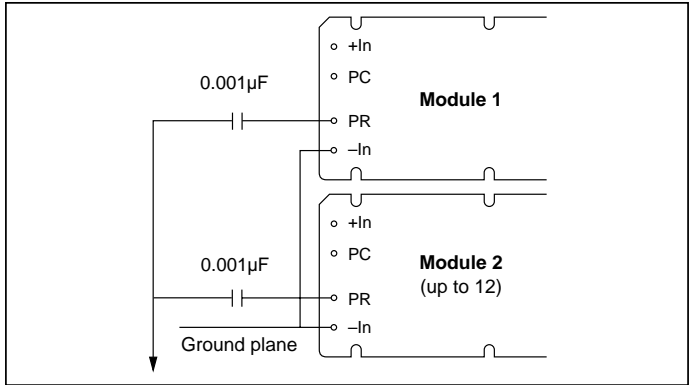


Figure 10—AC coupled single-wire interface.

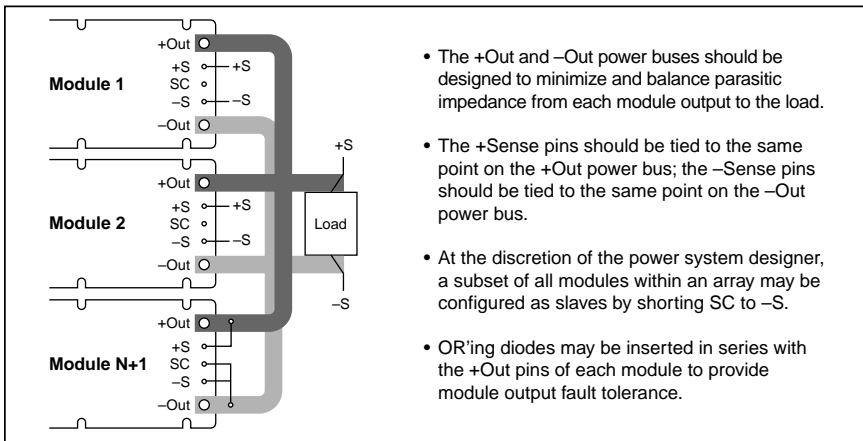


Figure 11—N+1 module array output connections.

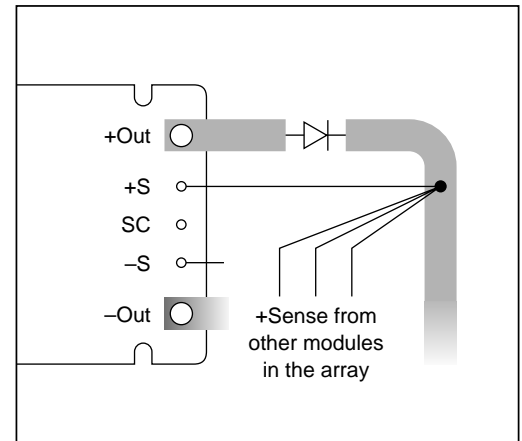


Figure 12—OR'ing diodes connections.

## PIN STYLES

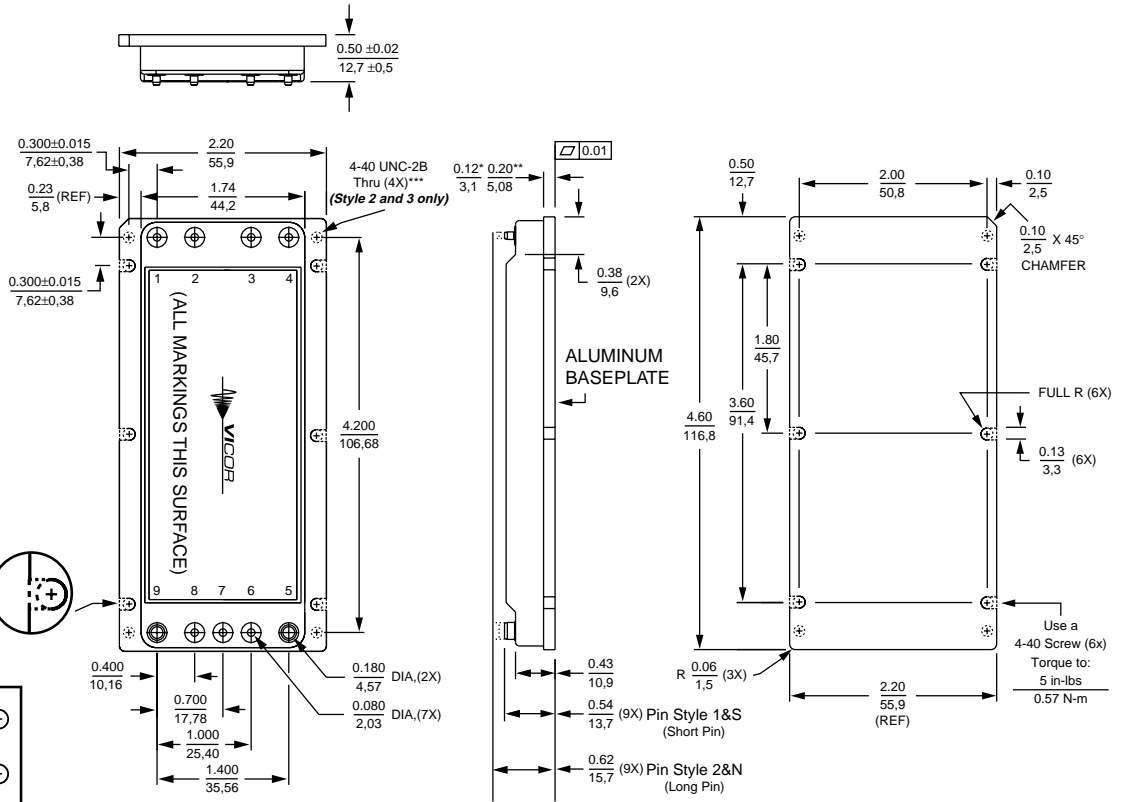
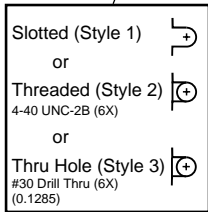
Description	Notes
Short solder	Requires in-board, mounting
Long solder	On-board mounting for 0.65" boards
Short ModuMate	SurfMate or in-board socket mounting
Long ModuMate	On-board socket mounting

# MECHANICAL DRAWINGS

## MODULE OUTLINE

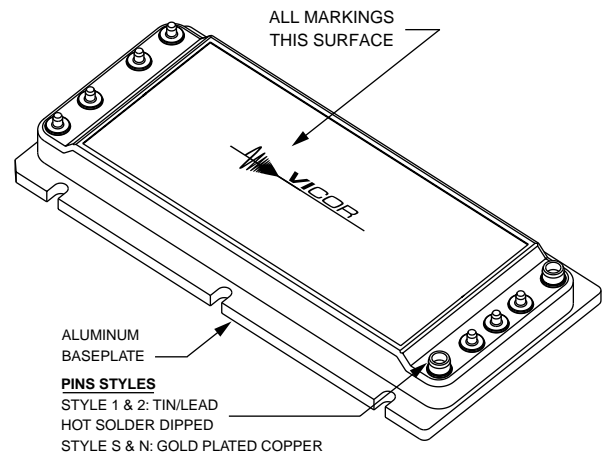
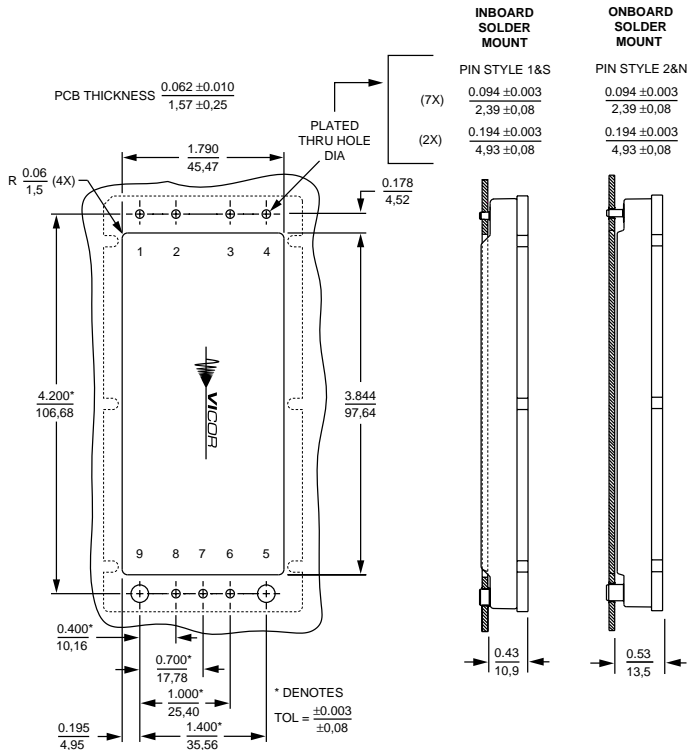
Converter Pins		
No.	Function	Label
1	+In	+
2	Primary Control	PC
3	Parallel	PR
4	-In	-
5	-Out	-
6	-Sense	-S
7	Secondary Control	SC
8	+Sense	+S
9	+Out	+

PINS: TIN/LEAD  
HOT SOLDER DIP



\* Style 1 baseplate only  
\*\* Style 2 & 3 baseplates  
\*\*\* Reserved for Vicor accessories  
**Not for mounting**

## PCB MOUNTING SPECIFICATIONS



Unless otherwise specified, dimensions are in inches mm

Decimals	Tol.	Angles
0.XX	±0.01	±1°
±0.25		
0.XXX	±0.005	
	±0.127	

## PART NUMBERS & OPTIONS

<b>24Vin / 2Vout / 160Watts</b>						
<b>Part Number</b>	<b>Pins</b>	<b>Base</b>	<b>Grade</b>	<b>Minimum Operating Temp</b>	<b>Max Operating Temp</b>	<b>Minimum Storage Temp</b>
VI-982401	Short Solder	Slotted	C	-20°C	100°C	-40°C
VI-982402	Long Solder	Slotted	C	-20°C	100°C	-40°C
VI-982403	Short ModuMate	Slotted	C	-20°C	100°C	-40°C
VI-982404	Long ModuMate	Slotted	C	-20°C	100°C	-40°C
VI-982405	Short Solder	Threaded	C	-20°C	100°C	-40°C
VI-982406	Long Solder	Threaded	C	-20°C	100°C	-40°C
VI-982407	Short ModuMate	Threaded	C	-20°C	100°C	-40°C
VI-982408	Long ModuMate	Threaded	C	-20°C	100°C	-40°C
VI-982409	Short Solder	Thru-hole	C	-20°C	100°C	-40°C
VI-982410	Long Solder	Thru-hole	C	-20°C	100°C	-40°C
VI-982411	Short ModuMate	Thru-hole	C	-20°C	100°C	-40°C
VI-982412	Long ModuMate	Thru-hole	C	-20°C	100°C	-40°C
VI-982413	Short Solder	Slotted	T	-40°C	100°C	-40°C
VI-982414	Long Solder	Slotted	T	-40°C	100°C	-40°C
VI-982415	Short ModuMate	Slotted	T	-40°C	100°C	-40°C
VI-982416	Long ModuMate	Slotted	T	-40°C	100°C	-40°C
VI-982417	Short Solder	Threaded	T	-40°C	100°C	-40°C
VI-982418	Long Solder	Threaded	T	-40°C	100°C	-40°C
VI-982419	Short ModuMate	Threaded	T	-40°C	100°C	-40°C
VI-982420	Long ModuMate	Threaded	T	-40°C	100°C	-40°C
VI-982421	Short Solder	Thru-hole	T	-40°C	100°C	-40°C
VI-982422	Long Solder	Thru-hole	T	-40°C	100°C	-40°C
VI-982423	Short ModuMate	Thru-hole	T	-40°C	100°C	-40°C
VI-982424	Long ModuMate	Thru-hole	T	-40°C	100°C	-40°C
VI-982425	Short Solder	Slotted	H	-40°C	100°C	-55°C
VI-982426	Long Solder	Slotted	H	-40°C	100°C	-55°C
VI-982427	Short ModuMate	Slotted	H	-40°C	100°C	-55°C
VI-982428	Long ModuMate	Slotted	H	-40°C	100°C	-55°C
VI-982429	Short Solder	Threaded	H	-40°C	100°C	-55°C
VI-982430	Long Solder	Threaded	H	-40°C	100°C	-55°C
VI-982431	Short ModuMate	Threaded	H	-40°C	100°C	-55°C
VI-982432	Long ModuMate	Threaded	H	-40°C	100°C	-55°C
VI-982433	Short Solder	Thru-hole	H	-40°C	100°C	-55°C
VI-982434	Long Solder	Thru-hole	H	-40°C	100°C	-55°C
VI-982435	Short ModuMate	Thru-hole	H	-40°C	100°C	-55°C
VI-982436	Long ModuMate	Thru-hole	H	-40°C	100°C	-55°C



**Vicor's comprehensive line of power solutions includes modular, high density DC-DC converters and accessory components, configurable power supplies, and custom power systems.**

Information furnished by Vicor is believed to be accurate and reliable. However, no responsibility is assumed by Vicor for its use. No license is granted by implication or otherwise under any patent or patent rights of Vicor. Vicor components are not designed to be used in applications, such as life support systems, wherein a failure or malfunction could result in injury or death. All sales are subject to Vicor's Terms and Conditions of Sale, which are available upon request.

**Specifications are subject to change without notice.**



*Component Solutions  
for Your Power System*

**Vicor Corporation**  
25 Frontage Road  
Andover, MA, USA 01810  
Tel: 800-735-6200  
Fax: 978-475-6715

**Email**

Vicor Express: [vicorexp@vicr.com](mailto:vicorexp@vicr.com)  
Technical Support: [apps@vicr.com](mailto:apps@vicr.com)