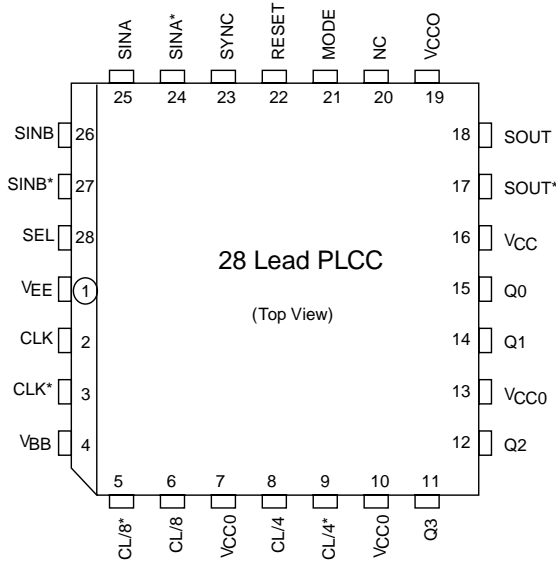


Pinout

Pin Names

Pin	Function
SinA, SINA*	Differential Serial Data Input A
SINB, SINB*	Differential Serial Data Input B
SEL	Serial Input Selector Pin
Q0 - Q3	Parallel Data Outputs
CLK, CLK*	Differential Clock Inputs
CL/4, CL/4*	Differential ·4Clock Output
CL/8, CL/8*	Differential ·8Clock Output
MODE	Conversion Mode 4-Bit/8Bit
SYNCH	Conversion Synchronizing Input

Function Table

Mode	Conversion	SEL	Serial Input
L	4-Bit	H	A
H	8-Bit	L	B

The SK10/100E445 is an integrated 4-bit serial-to-parallel data converter. The chip is designed to work with the E446 device to provide both transmission and receiving of a high speed serial data path. The E445 can convert up to a 2.0 GB/s NRZ data stream into 4-bit parallel data. The device also provides a divide by four clock output to be used to synchronize the parallel data with the rest of the system.

The E445 features multiplexed dual serial inputs to provide test loop capability when used in conjunction with the E446. Figure 1 illustrates the loop test architecture. The architecture allows for the electrical testing of the link without requiring actual transmission over the serial data path medium. The SINA serial input of the E446 has an extra buffer delay and should be used as the loopback serial input.

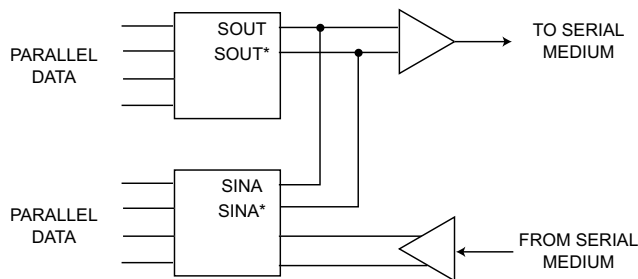


Figure 1. Loopback Test Architecture

The E445 features a differential serial output and a divide by 8 clock output to facilitate the cascading of two devices to build a 1:8 demultiplexer. Figure 2 illustrates the architecture for a 1:8 demultiplexer using two E445's; the timing diagram for this configuration can be found in Figure 6. Notice the serial outputs (SOUT of the lower order converter feed the serial inputs of the higher order device. This feedthrough of the serial inputs bounds the upper end of the frequency of operation. The clock to serial output propagation delay plus the setup time of the serial input pins must fit into a single clock period for the cascade architecture to function properly. Using the worst case values for these two parameters from the datasheet, TPD CLK to SOUT = 1150 ps and tS for SIN = -100 ps, yields a minimum period of 1050 ps or a clock frequency of 950 MHz.

The clock frequency is significantly lower than that of a single converter. To increase this frequency, some games can be played with the clock input of the higher order E445. By delaying the clock feeding the second E445 relative to the clock of the first E445, the frequency of operation can be increased. The delay between the two clocks can be increased until the minimum delay of clock to serial out would potentially cause a serial bit to be swallowed (Figure 3).

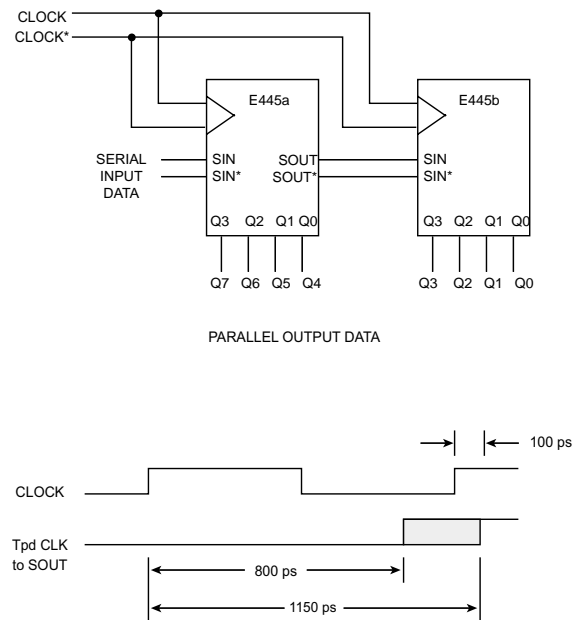


Figure 2. Cascaded 1:8 Converter Architecture

With a minimum delay of 800 ps on this output, the clock for the lower order E445 cannot be delayed more than 800 ps relative to the clock of the first E445 without potentially missing a bit of information. Because the setup time on the serial input pin is negative, coincident excursions on the data and clock inputs of the E445 will result in correct operation.

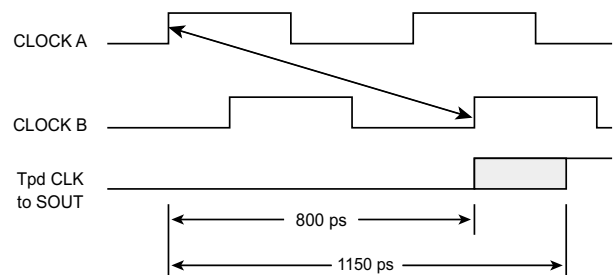
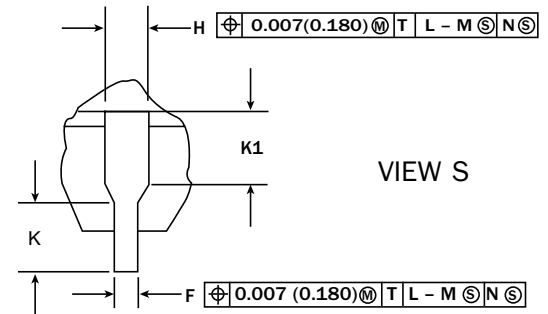
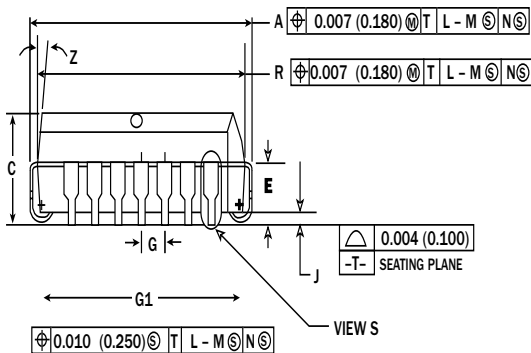
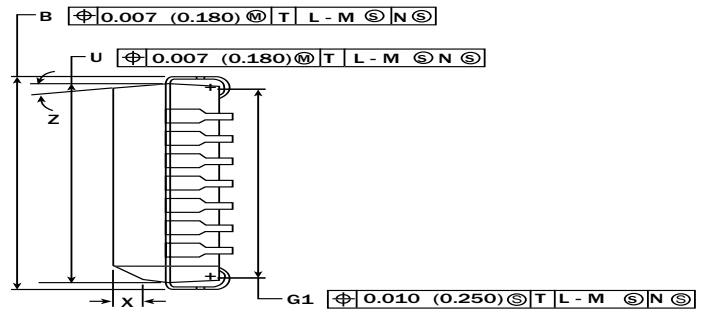
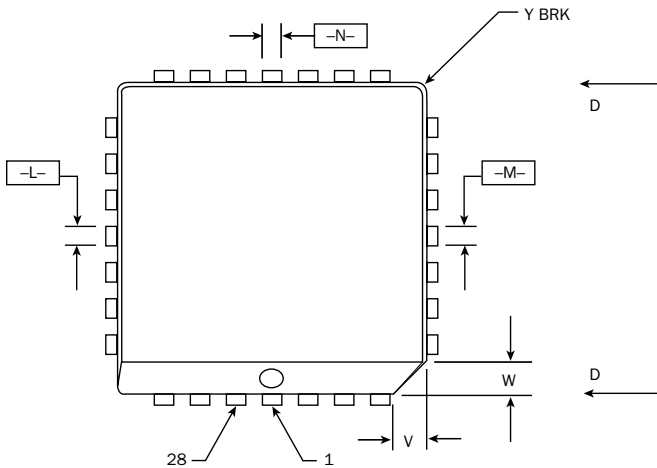


Figure 3. Cascade Frequency Limitation

HIGH-PERFORMANCE PRODUCTS
Package Information

NOTES:

1. Datums -L-, -M-, and -N- determined where top of lead shoulder exits plastic body at mold parting line.
2. DIM G1, true position to be measured at Datum -T-, Seating Plane.
3. DIM R and U do not include mold flash. Allowable mold flash is 0.010 (0.250) per side.
4. Dimensioning and tolerancing per ANSI Y14.5M, 1982.
5. Controlling Dimension: Inch.
6. The package top may be smaller than the package bottom by up to 0.012 (0.300). Dimensions R and U are determined at the outermost extremes of the plastic body exclusive of mold flash, tie bar burrs, gate burrs and interlead flash, but including any mismatch between the top and bottom of the plastic body.
7. Dimension H does not include Dambar protrusion or intrusion. The Dambar protrusion(s) shall not cause the H dimension to be greater than 0.037 (0.940). The Dambar intrusion(s) shall not cause the H dimension to be smaller than 0.025 (0.635).

DIM	INCHES		MILLIMETERS	
	MIN	MAX	MIN	MAX
A	0.485	0.495	12.32	12.57
B	0.485	0.495	12.32	12.57
C	0.165	0.180	4.20	4.57
E	0.090	0.110	2.29	2.79
F	0.013	0.019	0.33	0.48
G	0.050 BSC		1.27 BSC	
H	0.026	0.032	0.66	0.81
J	0.020	-	0.51	-
K	0.025	-	0.64	-
R	0.450	0.456	11.43	11.58
U	0.450	0.456	11.43	11.58
V	0.042	0.048	1.07	1.21
W	0.042	0.048	1.07	1.21
X	0.042	0.056	1.07	1.42
Y	-	0.020	-	0.50
Z	2°	10°	2°	10°
G1	0.410	0.430	10.42	10.92
K1	0.040	-	1.02	-

HIGH-PERFORMANCE PRODUCTS
DC Characteristics
SK10E445 DC Electrical Characteristics
(VEE = VEE(min) to VEE(max); VCC = VCCO = GND)

Symbol	Characteristic	TA = 0°C			TA = +25°C			TA = +85°C			Unit	Condition
		Min	Typ	Max	Min	Typ	Max	Min	Typ	Max		
I _{IN}	Input Current (Diff) (SE)	-150		150 150	-150		150 150	-150		150 150	μA μA	
V _{OH}	Output High Current (SOUT Only)	-1020		-790	-980		-760	-910		-670	V	Note 1
V _{BB}	Output Reference Voltage	-1.38		-1.27	-1.35		-1.25	-1.31		-1.19	V	
I _{EE}	Power Supply Current		154	185		154	185		154	185	mA	

SK100E445 DC Electrical Characteristics
(VEE = VEE(min) to VEE(max); VCC = VCCO = GND)

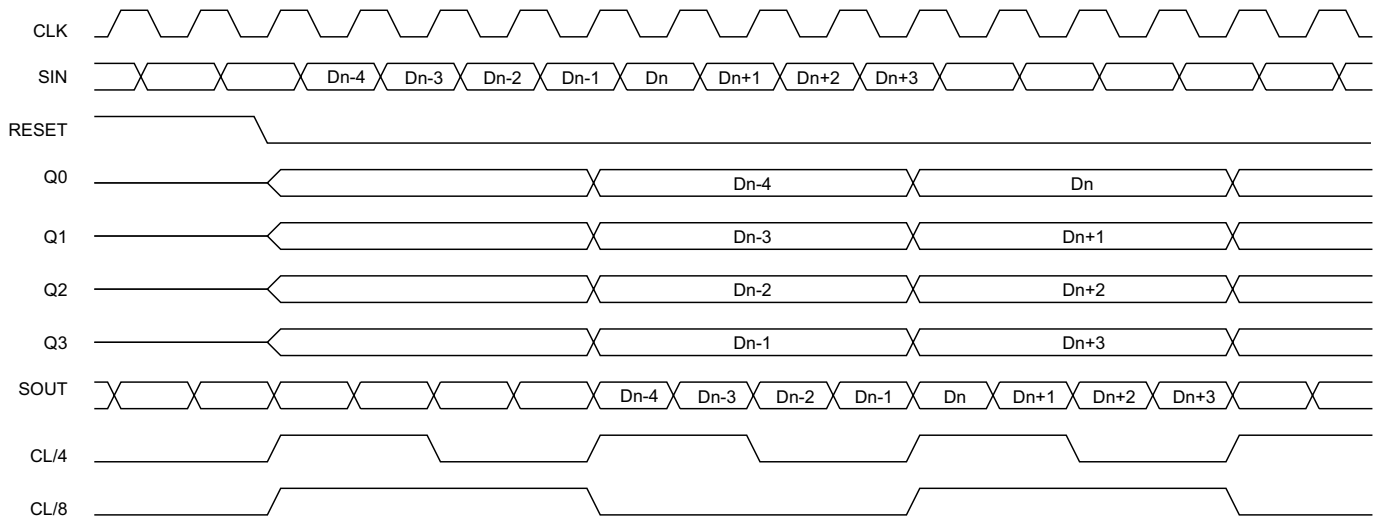
Symbol	Characteristic	TA = 0°C			TA = +25°C			TA = +85°C			Unit	Condition
		Min	Typ	Max	Min	Typ	Max	Min	Typ	Max		
I _{IN}	Input Current (Diff) (SE)	-150		150 150	-150		150 150	-150		150 150	μA μA	
V _{OH}	Output High Current (SOUT Only)	-1025		-830	-1025		-830	-1025		-830	V	Note 1
V _{BB}	Output Reference Voltage	-1.38		-1.26	-1.38		-1.26	-1.38		-1.26	V	
I _{EE}	Power Supply Current		154	185		154	185		177	211	mA	

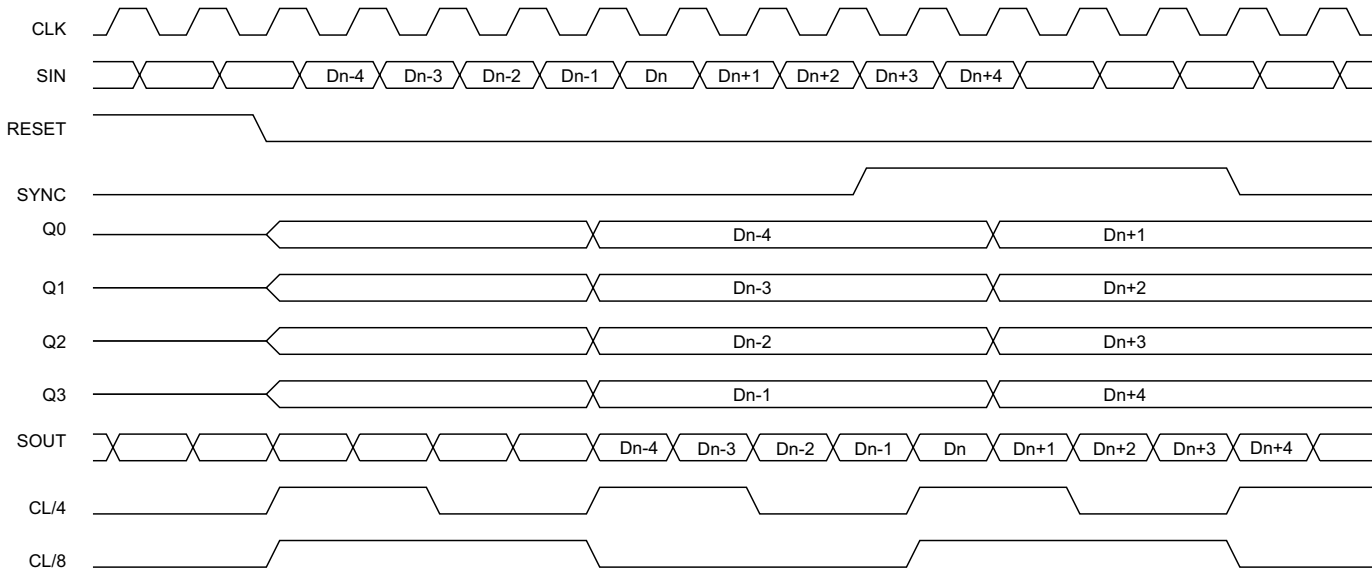
Note 1: The maximum V_{OH} limit was relaxed from standard ECL due to the high frequency output design. All other outputs are specified with the standard 10E and 100E V_{OH} levels.

HIGH-PERFORMANCE PRODUCTS
AC Characteristics
SK10/100E445 AC Electrical Characteristics
 (VEE = VEE(min) to VEE(max); VCC = VCCO = GND)

Symbol	Characteristic	TA = 0°C			TA = +25°C			TA = +85°C			Unit	Condition
		Min	Typ	Max	Min	Typ	Max	Min	Typ	Max		
f _{max}	Maximum Conversion Frequency	2.0			2.0			2.0			GB/s NRZ	
t _{PLH} t _{PHL}	Propagation Delay to Output CLK to Q CLK to SOUT CLK to CL/4 CLK to CL/8	1500 800 1100 1100	1800 975 1325 1325	2100 1150 1500 1500	1500 800 1100 1100	1800 975 1325 1325	2100 1150 1500 1500	1500 800 1100 1100	1800 975 1325 1325	2100 1150 1500 1500	ps ps ps ps	
t _s	Setup Time SINA, SINB SEL	-100 0	-250 -200		-100 0	-250 -200		-100 0	-250 -200		ps ps	
t _h	Hold Time SINA, SINB, SEL	450	300		450	300		450	300		ps	
t _{RR}	Reset Recovery Time	500	300		500	300		500	300		ps	
t _{PW}	Minimum Pulse Width CLK, MR	400			400			400			ps	
t _r , t _f	Rise/Fall Times SOUT CL/4, CL/8 Qn	130 200 370	225 425 490	270 520 700	130 200 370	225 425 490	270 520 700	130 200 370	225 425 490	270 520 700	ps ps ps	20% - 80%

- Note: 1. For Standard ECL DC Specifications, refer to the ECL Logic Family Standard DC Specification Data Sheet.
 2. For part ordering description, see HPP Part Ordering Information Data Sheet.


Timing Diagram A. 1:4 Serial to Parallel Conversion

HIGH-PERFORMANCE PRODUCTS
AC Characteristics (continued)

Timing Diagram B. 1:4 Serial to Parallel Conversion with SYNC Pulse
Ordering Information

Ordering Code	Package ID	Temperature Range
SK10E445PJ	28-PLCC	Industrial
SK10E445PJT	28-PLCC	Industrial
SK100E445PJ	28-PLCC	Industrial
SK100E445PJT	28-PLCC	Industrial

Contact Information

Division Headquarters
 10021 Willow Creek Road
 San Diego, CA 92131
 Phone: (858) 695-1808
 FAX: (858) 695-2633

Semtech Corporation
High-Performance Products Division

Marketing Group
 1111 Comstock Street
 Santa Clara, CA 95054
 Phone: (408) 566-8776
 FAX: (408) 727-8994