



Micro Commercial Corp.
 21201 Itasca St.
 Chatsworth, CA 91311
 Phone: (818) 701-4933
 Fax: (818) 701-4939

RS801 THRU RS807

Features

- Low Leakage
- Low Forward Voltage
- Any Mounting Position
- Silver Plated Copper Leads
- Surge Overload Rating Of 300 Amps

8 Amp Single Phase Bridge Rectifier 50 to 1000 Volts

Maximum Ratings

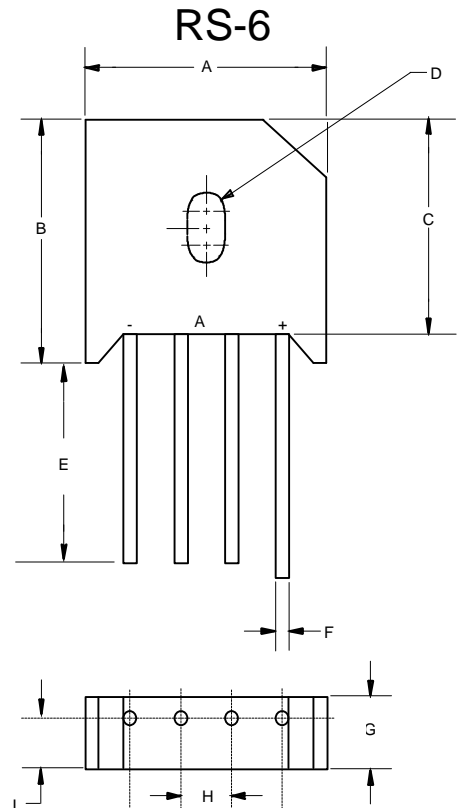
- Operating Junction Temperature: -55°C to +150°C
- Storage Temperature: -55°C to +150°C

| Microsemi Catalog Number | Device Marking | Maximum Recurrent Peak Reverse Voltage | Maximum RMS Voltage | Maximum DC Blocking Voltage |
|--------------------------|----------------|--|---------------------|-----------------------------|
| RS801 | RS801 | 50V | 35V | 50V |
| RS802 | RS802 | 100V | 70V | 100V |
| RS803 | RS803 | 200V | 140V | 200V |
| RS804 | RS804 | 400V | 280V | 400V |
| RS805 | RS805 | 600V | 420V | 600V |
| RS806 | RS806 | 800V | 560V | 800V |
| RS807 | RS807 | 1000V | 700V | 1000V |

Electrical Characteristics @ 25°C Unless Otherwise Specified

| | | | |
|---|-------------|-------------------------|---|
| Average Forward Current | $I_{F(AV)}$ | 8.0A | $T_A = 65^\circ\text{C}$ |
| Peak Forward Surge Current | I_{FSM} | 300A | 8.3ms, half sine |
| Maximum Forward Voltage Drop Per Element | V_F | 1.1V | $I_{FM} = 4.0\text{A};$ $T_J = 25^\circ\text{C}$ |
| Maximum DC Reverse Current At Rated DC Blocking Voltage | I_R | 10 μA 1mA | $T_J = 25^\circ\text{C}$ $T_J = 100^\circ\text{C}$ |

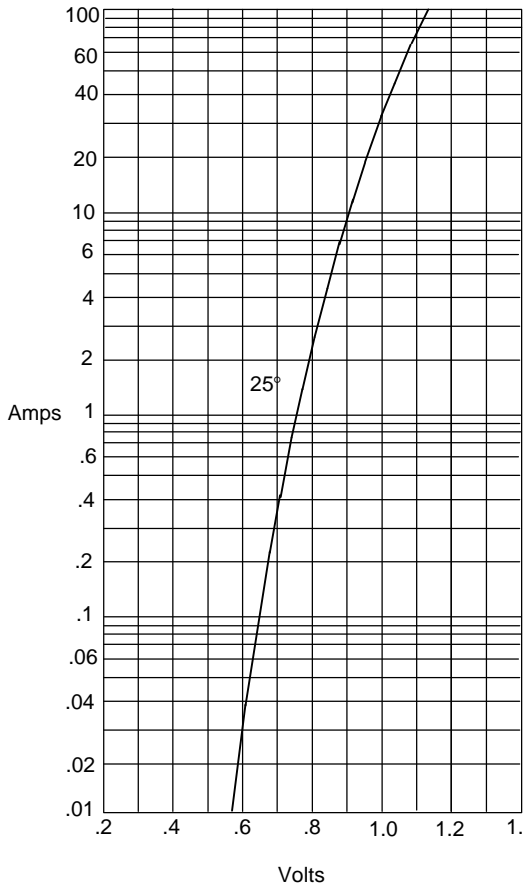
*Pulse test: Pulse width 300 μsec , Duty cycle 1%



| DIM | INCHES | | MM | | NOTE |
|-----|---------------------|------|---------------------|-------|------|
| | MIN | MAX | MIN | MAX | |
| A | .895 | .935 | 22.70 | 23.70 | |
| B | --- | .760 | --- | 19.30 | |
| C | .660 | .700 | 16.80 | 17.80 | |
| D | .15 \varnothing x | .23L | 3.8 \varnothing x | 5.57L | HOLE |
| E | 1.00 | --- | 25.40 | --- | |
| F | .048 | .052 | 1.20 | 1.30 | TYP |
| G | .260 | .280 | 6.60 | 7.10 | |
| H | .180 | .220 | 4.60 | 5.60 | |
| I | .185 | .205 | 4.70 | 5.20 | |

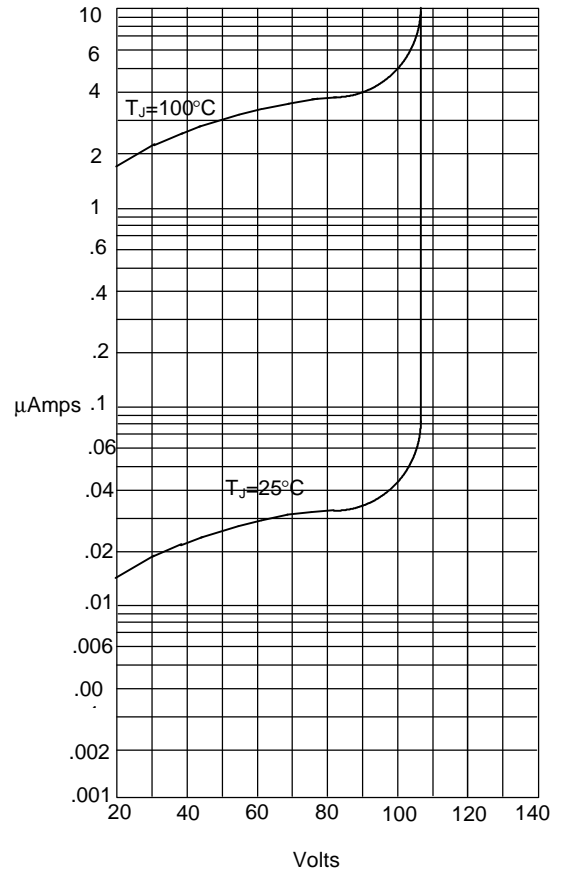
RS801 thru RS807

Figure 1
Typical Forward Characteristics



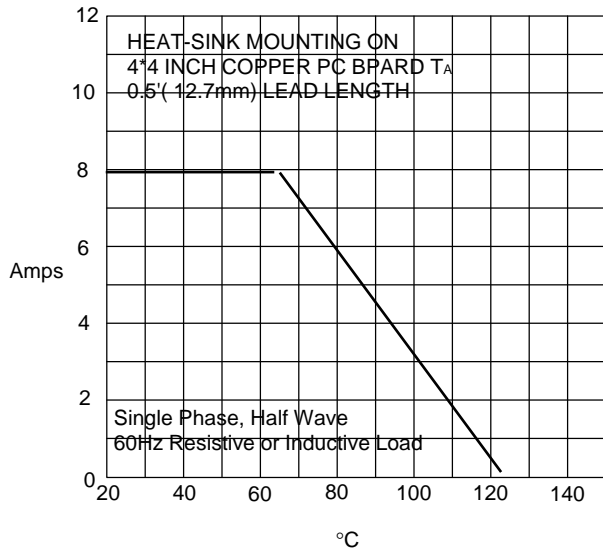
Instantaneous Forward Current - Amperes *versus*
Instantaneous Forward Voltage - Volts

Figure 2
Typical Reverse Characteristics



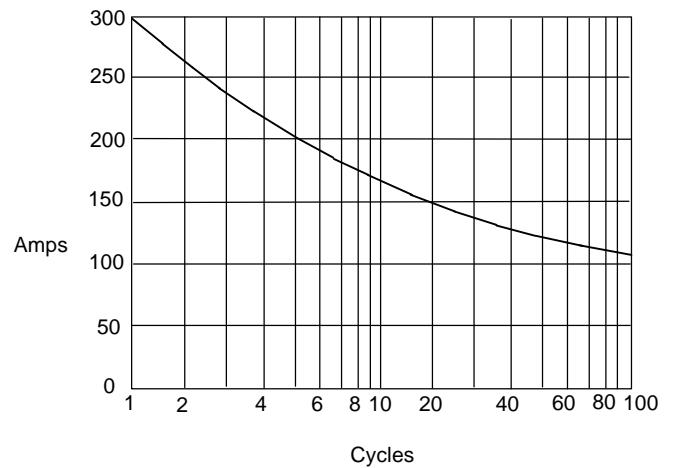
Instantaneous Reverse Leakage Current - MicroAmperes *versus*
Percent Of Rated Peak Reverse Voltage - Volts

Figure 3
Forward Derating Curve



Average Forward Rectified Current - Amperes *versus*
Ambient Temperature - °C

Figure 4
Peak Forward Surge Current



Peak Forward Surge Current - Amperes *versus*
Number Of Cycles At 60Hz - Cycles