

# Quad Channel OC-12c ATM and POS Physical Layer Device

## FEATURES

- Single chip quad ATM and POS User-Network Interface operating at 622 Mbit/s.
- Implements the ATM Forum User Network Interface Specification and the ATM physical layer for Broadband ISDN according to CCITT Recommendation I.432.
- Implements the Point-to-Point Protocol (PPP) over SONET/SDH specification according to RFC 2615(1619)/1662 of the PPP Working Group of the Internet Engineering Task Force (IETF).
- Processes four bit-serial 622 Mbit/s STS-12c (STM-4-4c) data streams with on-chip clock and data recovery and clock synthesis.
- Complies with Bellcore GR-253-CORE jitter tolerance, jitter transfer and intrinsic jitter criteria.
- Each channel provides termination for SONET Section, Line and Path overhead or SDH Regenerator

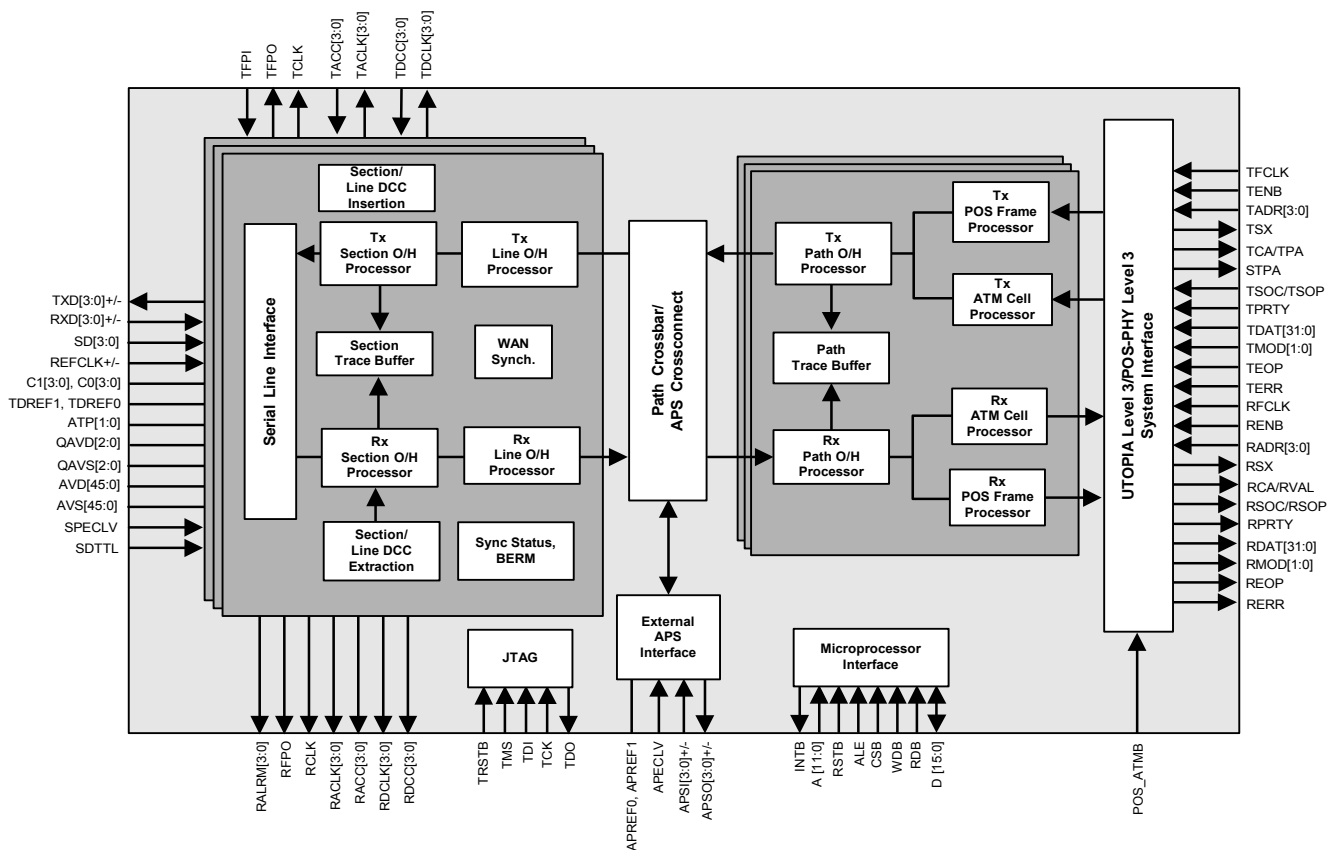
- Section, Multiplexer Section and High Order Path overhead.
- Provides UTOPIA Level 3 32-bit wide System Interface (clocked up to 104 MHz) with parity support for ATM applications.
- Provides SATURN® POS-PHY Level 3™ 32-bit System Interface (clocked up to 104 MHz) for Packet over SONET (POS), or ATM applications.
- Supports line loopback from the line side receive stream to the transmit stream and diagnostic loopback from the line side transmit stream to the line side receive stream interface.
- Provides support for automatic protection switching including a bi-directional 4-bit PECL 622 MHz port for external APS with mate device.
- Built-in APS cross-connect for internal and external 1+1 and 1:n protection switching.
- Provides a standard five signal IEEE 1149.1 JTAG test port for boundary

- scan board test purposes.
- Provides a generic 16-bit microprocessor bus interface for configuration, control, and status monitoring.
- Low power 2.5 V CMOS core logic with 3.3 V CMOS/TTL compatible digital inputs and digital outputs. PECL inputs and outputs are 3.3 V compatible.
- Industrial temperature range (-40° C to +85° C).
- 520 pin SBGA package.
- Pin and software compatible with PM5382 S/UNI-16x155.

## APPLICATIONS

- ATM and Multiservice Switches, Routers, and Switch/Routers.
- SONET/SDH Add/Drop Multiplexers with data processing capabilities
- Uplink Cards.
- SONET/SDH ATM/POS Test Equipment.

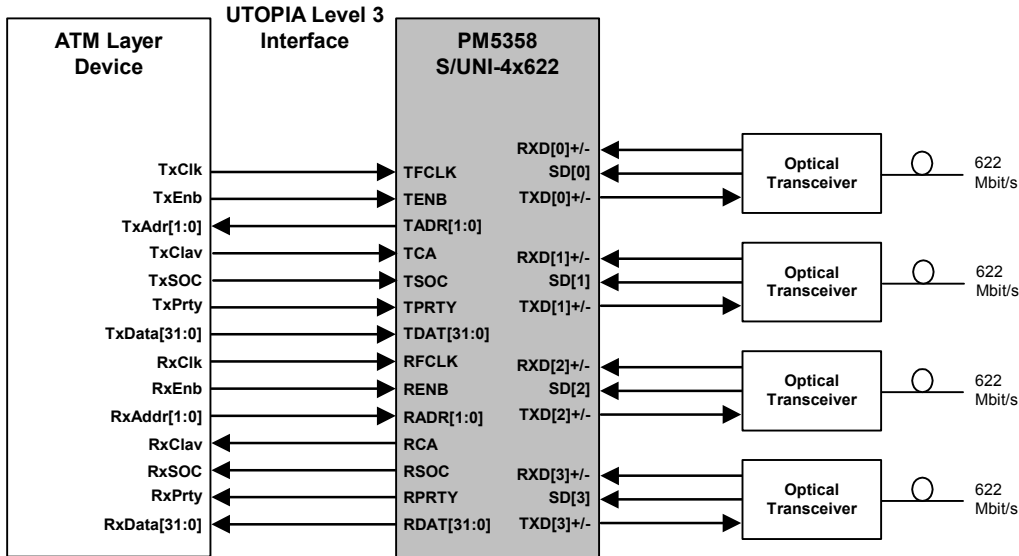
## BLOCK DIAGRAM



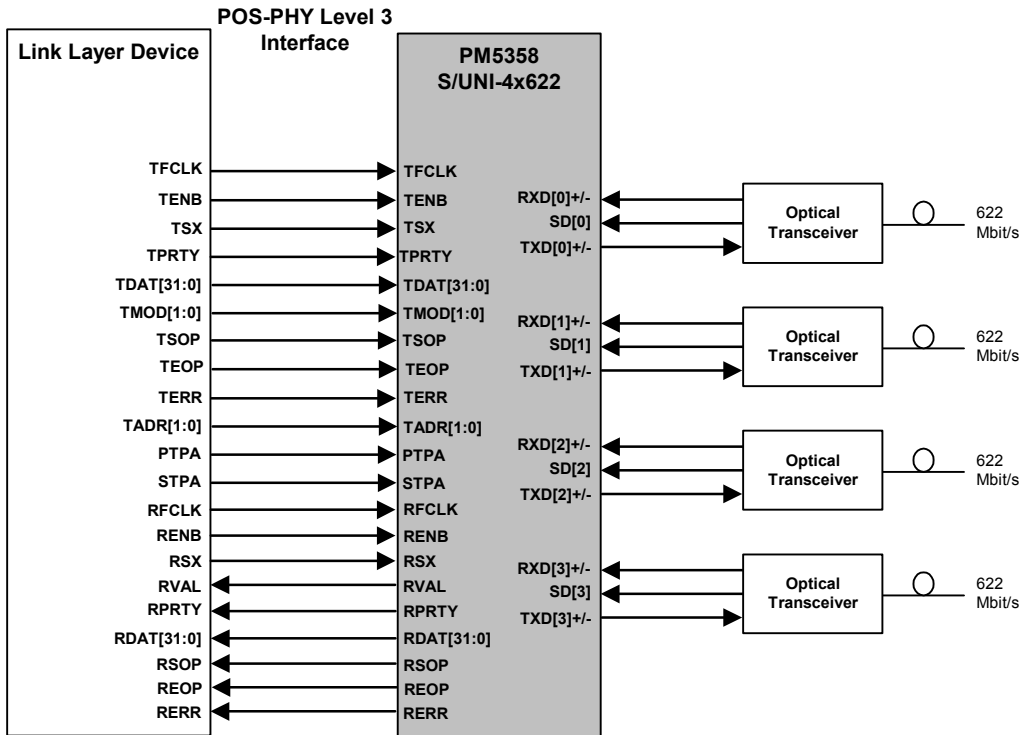
**Quad Channel OC-12c ATM and POS Physical Layer Device**

**TYPICAL APPLICATIONS**

**TYPICAL STS-12C/STM-4-4C ATM SWITCH PORT APPLICATION**



**TYPICAL STS-12C/STM-4-4C PACKET-OVER-SONET/SDH APPLICATION**



Head Office:  
 PMC-Sierra, Inc.  
 #105 - 8555 Baxter Place  
 Burnaby, B.C. V5A 4V7  
 Canada  
 Tel: 604.415.6000  
 Fax: 604.415.6200

To order documentation,  
 send email to:  
 document@pmc-sierra.com  
 or contact the head office,  
 Attn: Document Coordinator

All product documentation is available  
 on our web site at:  
<http://www.pmc-sierra.com>  
 For corporate information,  
 send email to:  
 info@pmc-sierra.com

PMC-2000331 (A2)  
 © Copyright PMC-Sierra,  
 Inc. 2000. All rights reserved.  
 March 2000  
 SATURN and S/UNI are  
 registered trademarks of  
 PMC-Sierra, Inc. POS-PHY  
 Level 3 is a trademark of  
 PMC-Sierra, Inc.