



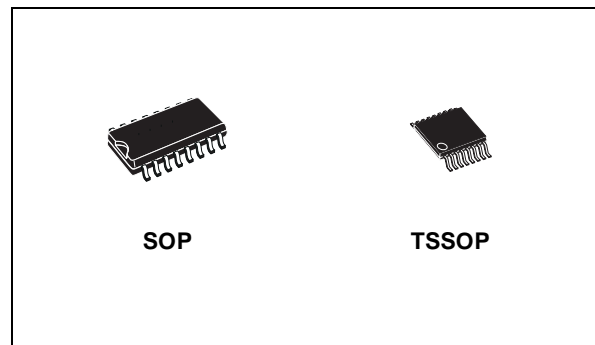
# STLVDS3486

## HIGH SPEED DIFFERENTIAL LINE RECEIVERS

- MEETS OR EXCEEDS THE REQUIREMENTS OF ANSI TIA/EIA-644 STANDARD
- OPERATES WITH A SINGLE 3.3V SUPPLY
- DESIGNED FOR SIGNALING RATE UP TO 400Mbps
- DIFFERENTIAL INPUT THRESHOLDS  $\pm 100\text{mV}$  MAX
- TYPICAL PROPAGATION DELAY TIME OF 2.5ns
- POWER DISSIPATION 60mW TYPICAL PER RECEIVER AT 200MHz
- LOW VOLTAGE TTL (LVTTTL) LOGIC OUTPUT LEVELS
- PIN COMPATIBLE WITH THE MC3486 AND SN65LVD3486
- OPEN CIRCUIT FAIL SAFE
- ESD PROTECTION:  
7KV RECEIVER PINS  
3KV ALL PINS VS GND

### DESCRIPTION

The STLVDS3486, is a differential line receiver that implements the electrical characteristics of low voltage differential signaling (LVDS). This signaling technique lowers the output voltage levels of 5V differential standard levels (such as TIA/EIA-422B) to reduce the power, increase the switching speeds and allow operations with a 3.3V supply rail. This differential receiver provides a



valid logical output state with a 3.3V supply rail. It also provides a valid logical output state with a  $\pm 100\text{mV}$  differential input voltage within the input common mode voltage range. The input common mode voltage allows 1V of ground potential difference between two LVDS nodes.

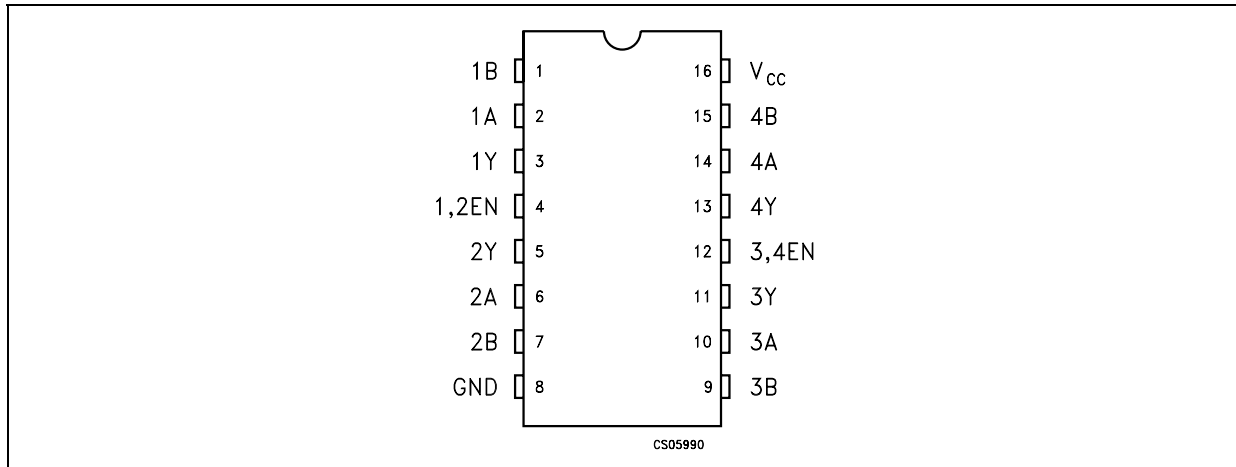
The intended application of this device and signalling technique is both point-to-point and multidrop data transmission over controlled impedance media approximately  $100\Omega$ . The transmission media may be printed circuit board traces, backplanes or cables. The ultimate rate and distance of data transfer depend upon the attenuation characteristics of the media and noise coupling to the environment.

The STLVDS3486 version is characterized for operation from  $-40^{\circ}\text{C}$  to  $85^{\circ}\text{C}$ .

### ORDERING CODES

Type	Temperature Range	Package	Comments
STLVDS3486BD	-40 to 85 °C	SO-16 (Tube)	50parts per tube / 20tube per box
STLVDS3486BDR	-40 to 85 °C	SO-16 (Tape & Reel)	2500 parts per reel
STLVDS3486BTR	-40 to 85 °C	TSSOP16 (Tape & Reel)	2500 parts per reel

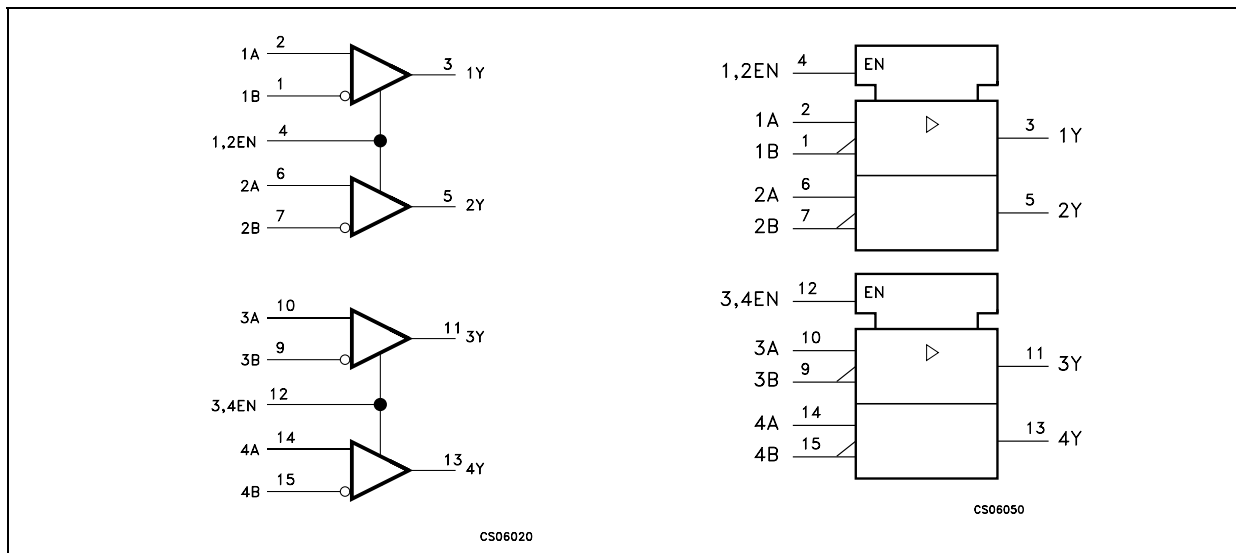
**PIN CONFIGURATION**



**PIN DESCRIPTION**

PIN N°	SYMBOL	NAME AND FUNCTION
2, 6, 10, 14	1A to 4A	Receiver Inputs
1, 7, 9, 15	1B to 4B	Negated Receiver Inputs
3, 5, 11, 13	1Y to 4Y	Receiver Outputs
4	1EN, 2EN	Receivers 1 and 2 Enable
12	3EN, 4EN	Receivers 3 and 4 Enable
8	GND	Ground
16	V <sub>CC</sub>	Supply Voltage

**LOGIC DIAGRAM AND LOGIC SYMBOL**



## TRUTH TABLE

DIFFERENTIAL INPUTS	EBABLES	OUTPUT
A, B	EN	Y
$V_{ID} \geq 100\text{mV}$	H	H
$-100\text{mV} < V_{ID} < 100\text{mV}$	H	?
$V_{ID} \leq -100\text{mV}$	H	L
X	L	Z
OPEN	H	H

L = Low level, H = High Level, X = Don't care, Z = High Impedance, ? = Indeterminate

## ABSOLUTE MAXIMUM RATINGS

Symbol	Parameter	Value	Unit
$V_{CC}$	Supply Voltage (Note 1)	-0.5 to 4.6	V
$V_I$	Input Voltage	-0.5 to ( $V_{CC} + 0.5$ )	V
$V_I$	Input Voltage (A or B inputs)	-0.5 to 4.6	V
ESD	Human Body Model	Pins Receivers	7
		All Pins vs GND	3
$T_{stg}$	Storage Temperature Range	-65 to +150	°C

Absolute Maximum Ratings are those values beyond which damage to the device may occur. Functional operation under these condition is not implied.

Note 1: All voltages except differential I/O bus voltage, are with respect to the network ground terminal.

## RECOMMENDED OPERATING CONDITIONS

Symbol	Parameter	Min.	Typ.	Max.	Unit
$V_{CC}$	Supply Voltage	3.0	3.3	3.6	V
$V_{IH}$	HIGH Level Input Voltage (ENABLE)	2.0			V
$V_{IL}$	LOW Level Input Voltage (ENABLE)			0.8	V
$ V_{ID} $	Magnitude of Differential Input Voltage	0.1		0.6	V
$V_{IC}$	Common Mode Input Voltage	$0.5 V_{ID} $		$2.4-0.5 V_{ID} $	V
				$V_{CC} - 0.8$	
$T_A$	Operating Temperature Range	-40		85	°C

## STLVDS3486

### ELECTRICAL CHARACTERISTICS (Over recommended operating conditions unless otherwise noted.

All typical values are at  $T_A = 25^\circ\text{C}$ , and  $V_{CC} = 3.3\text{V}$ )

Symbol	Parameter	Test Conditions	Min.	Typ.	Max.	Unit
$V_{ITH+}$	Positive Going Differential Input Voltage Threshold				100	mV
$V_{ITH-}$	Negative Going Differential Input Voltage Threshold		-100			mV
$V_{OH}$	High Level Output Voltage	$I_{OH} = -8\text{mA}$	2.4			V
		$I_{OH} = -4\text{mA}$	2.8			
$V_{OL}$	Low Level Output Voltage	$I_{OH} = 8\text{mA}$			0.4	V
$I_{CC}$	Supply Current for STLVD32, STLVD3486	Enabled, No Load		10	18	mA
		Disabled		0.25	0.5	
$I_{CC}$	Supply Current for STLVD39637	No Load		4	10	mA
$I_I$	Input Current (A or B inputs)	$V_I = 0\text{V}$	-2	-10	-20	$\mu\text{A}$
		$V_I = 2.4\text{V}$	-1.2	-3		
$I_{I(OFF)}$	Power off Input Current (A or B inputs)	$V_{CC} = 0 \quad V_I = 3.6\text{V}$		10	20	$\mu\text{A}$
$I_{IH}$	High Level Input Current (EN, G, G or Inputs)	$V_{IH} = 2\text{V}$			10	$\mu\text{A}$
$I_{IL}$	Low Level Input Current (EN, G, G or Inputs)	$V_{IL} = 0.8\text{V}$			10	$\mu\text{A}$
$I_{OZ}$	High Impedance Output Current	$V_O = 0$ or $V_{CC}$			$\pm 10$	$\mu\text{A}$

**SWITCHING CHARACTERISTICS** (Unless otherwise noted. Typical values are referred to  $T_A = 25^\circ\text{C}$  and  $V_{CC} = 3.3\text{V}$ )

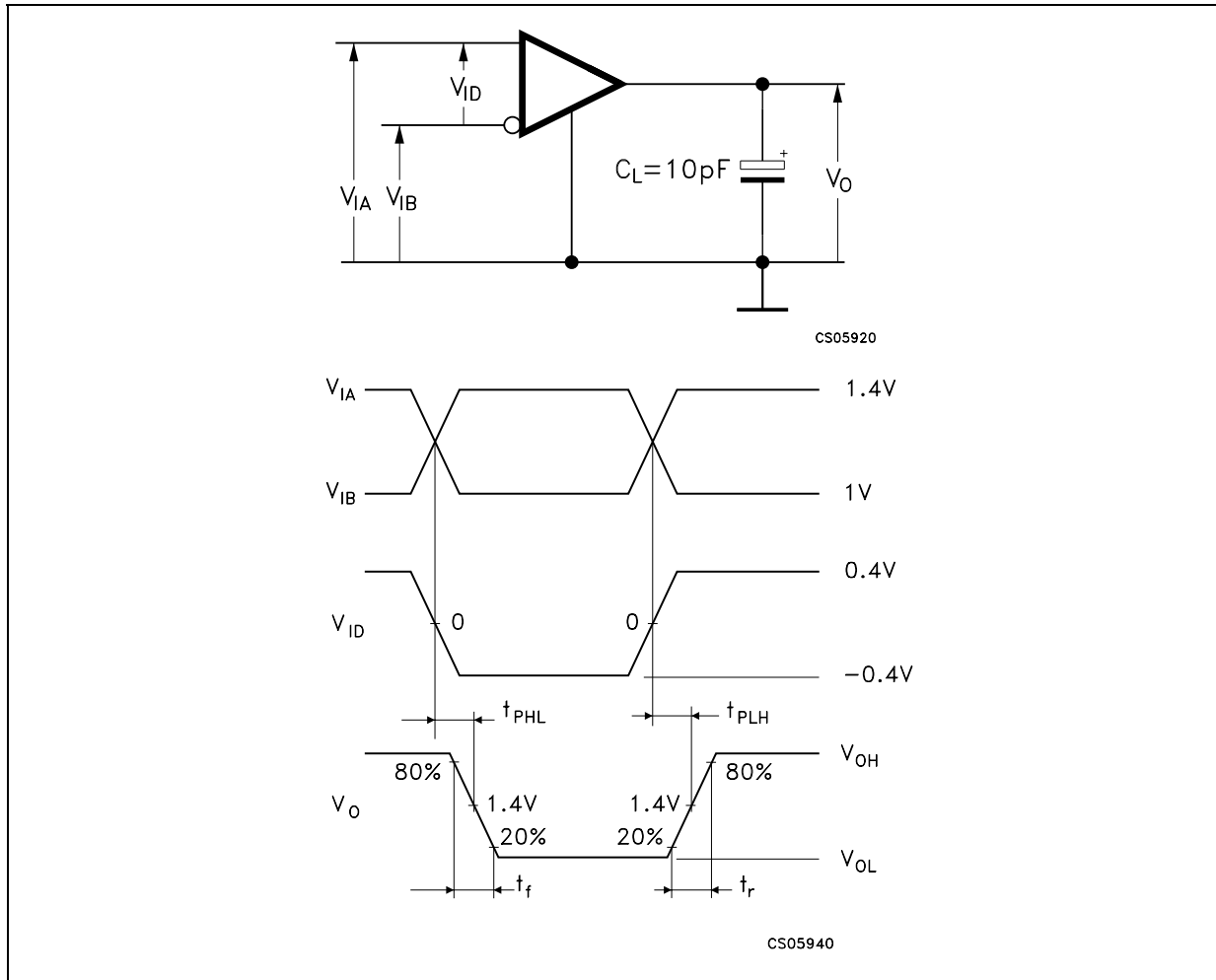
Symbol	Parameter	Test Conditions	Min.	Typ.	Max.	Unit
$t_{PLH}$	Propagation Delay Time, Low to High Output	$C_L = 10\text{pF}$ Fig. 1	1.5	2.5	3.3	ns
$t_{PHL}$	Propagation Delay Time, High to Low Output		1.5	2.5	3.3	ns
$t_r$	Differential Output Signal Rise Time			0.4		ns
$t_f$	Differential Output Signal Fall Time			0.4		ns
$t_{sk(O)}$	Channel to Channel Output Skew (note1)			0.1	0.3	ns
$t_{sk(P)}$	Pulse Skew ( $ t_{PHL} - t_{PLH} $ ) (note2)			0.2	0.4	ns
$t_{sk(PP)}$	Part to Part Skew (note3)				1	ns
$t_{PZH}$	Propagation Delay Time, High Impedance to High Level Output	Fig. 2		3	12	ns
$t_{PZL}$	Propagation Delay Time, High Impedance to Low Level Output			5	12	ns
$t_{PHZ}$	Propagation Delay Time, High Level to High Impedance Output			5	12	ns
$t_{PLZ}$	Propagation Delay Time, Low Level to High Impedance Output			5	12	ns

Note 1:  $t_{sk(O)}$  is the maximum delay time difference between the propagation delay of one channel and that of the others on the same chip with any event on the inputs.

Note 2:  $t_{sk(P)}$  is the magnitude difference in differential propagation delay time between the positive going edge and the negative going edge of the same channel.

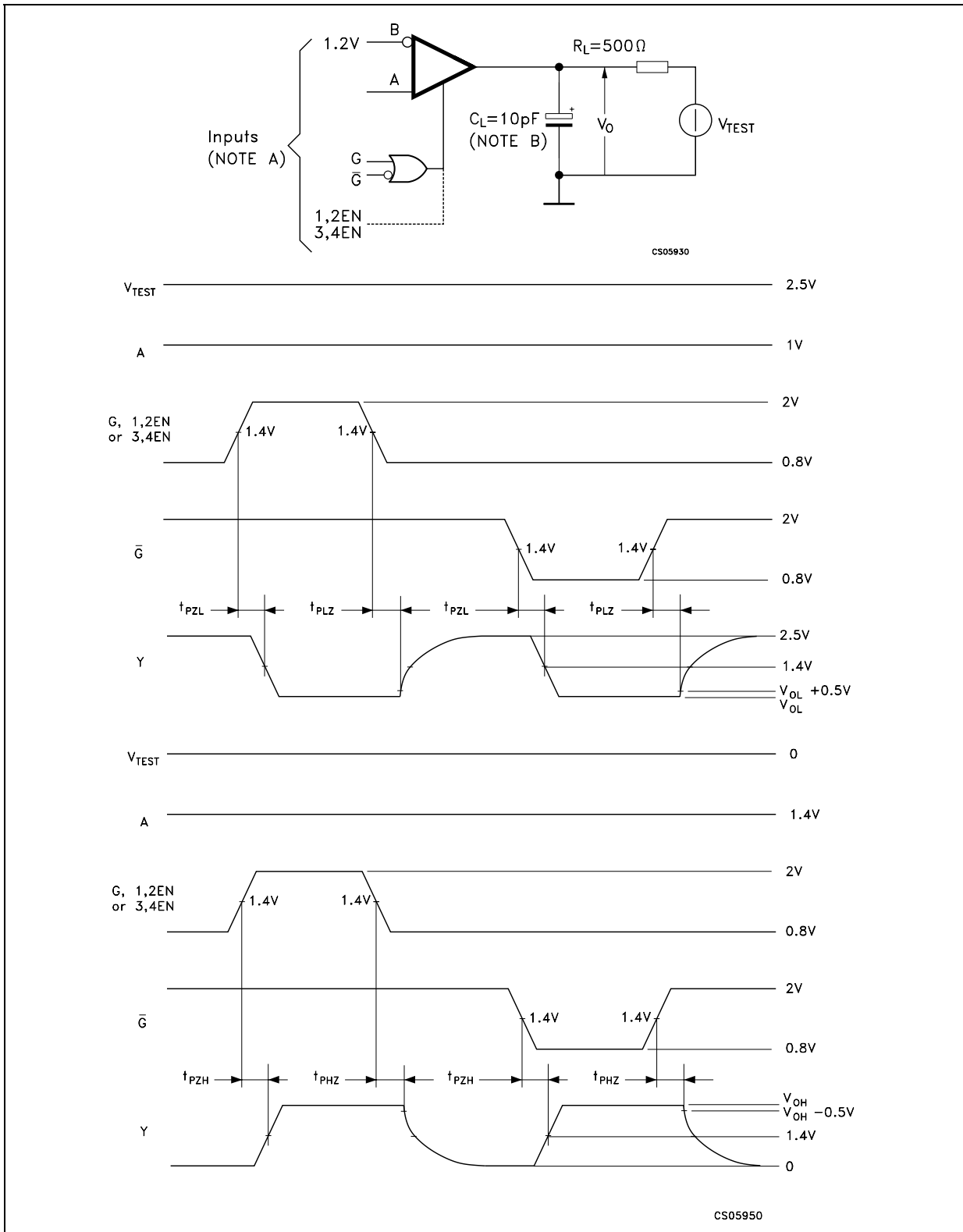
Note 3:  $t_{sk(PP)}$  is the differential channel-to-channel skew of any event between devices. This specification applies to devices at the same  $V_{CC}$ , and within  $5^\circ\text{C}$  of each other within the operating temperature range.

Figure 1 : Timing Test Circuit, Timing And Waveforms



Note A: All input pulse are supplied by a generator having the following characteristics:  $t_r$  or  $t_f \leq 1\text{ns}$ , pulse repetition rate (PRR) = 50Mpps, pulse width =  $10 \pm 0.2\text{ns}$ .  
 Note B:  $C_L$  includes instrumentation and fixture capacitance within 6mm of the D.U.T.

Figure 2 : Enable And Disable Time Test Circuit And Waveform



Note A: All input pulse are supplied by a generator having the following characteristics:  $t_r$  or  $t_f \leq 1\text{ns}$ , pulse repetition rate (PRR) = 50Mpps, pulse width =  $500 \pm 10\text{ns}$ .

Note B:  $C_L$  includes instrumentation and fixture capacitance within 6mm of the D.U.T.

TYPICAL PERFORMANCE CHARACTERISTICS (unless otherwise specified  $T_j = 25^\circ\text{C}$ )

Figure 3 : Output Current vs Output Voltage

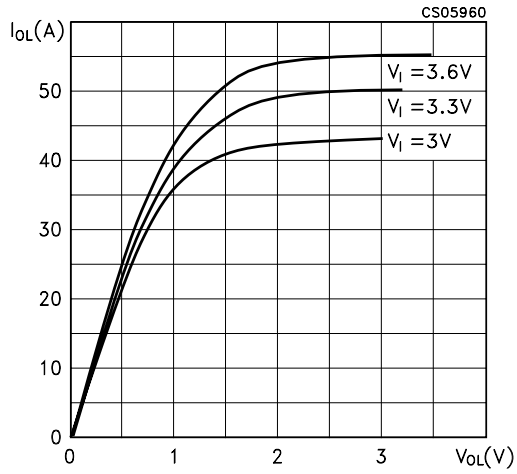
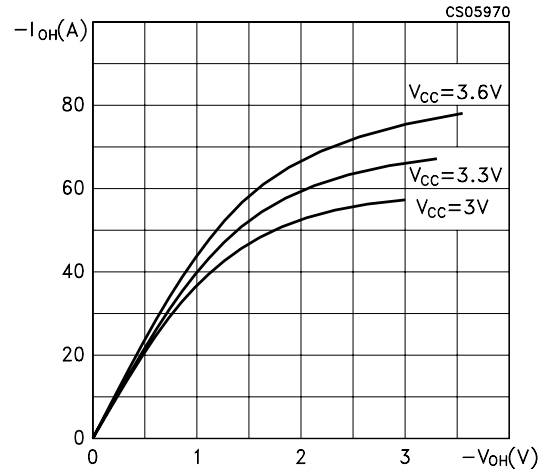


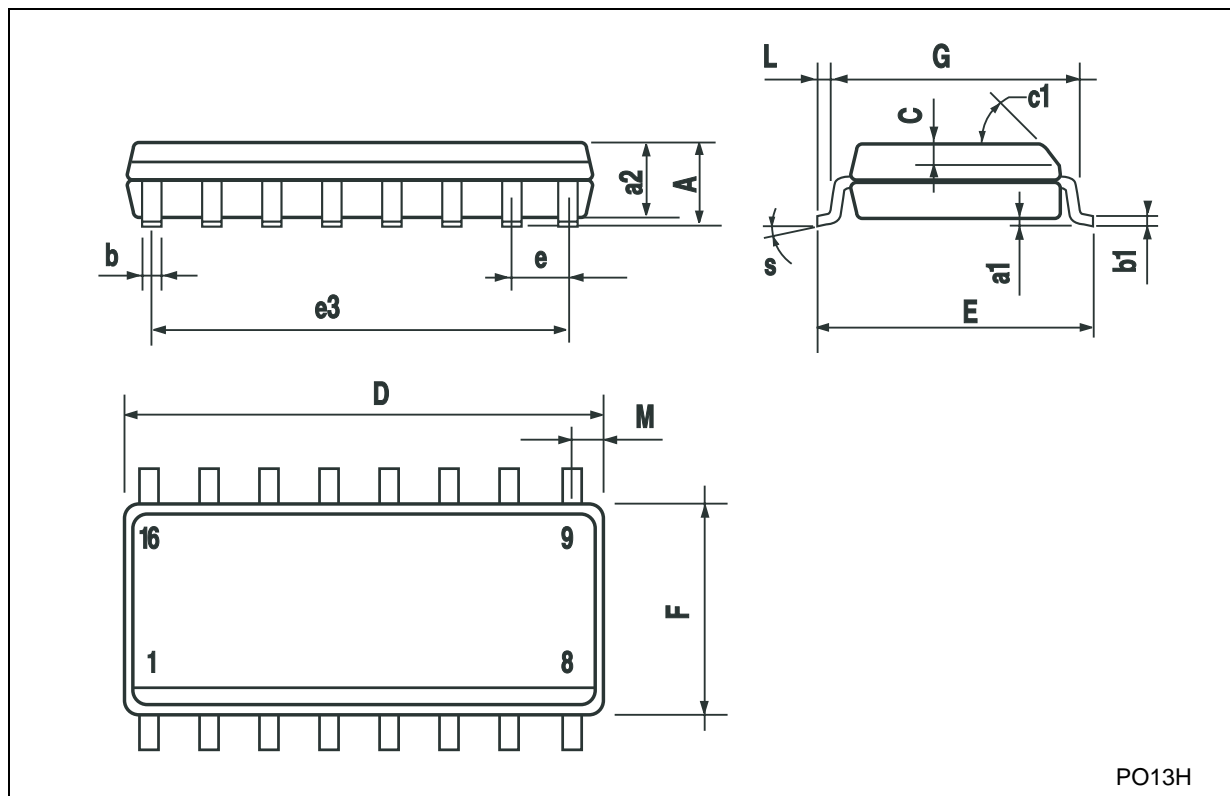
Figure 4 : Output Current vs Output Voltage





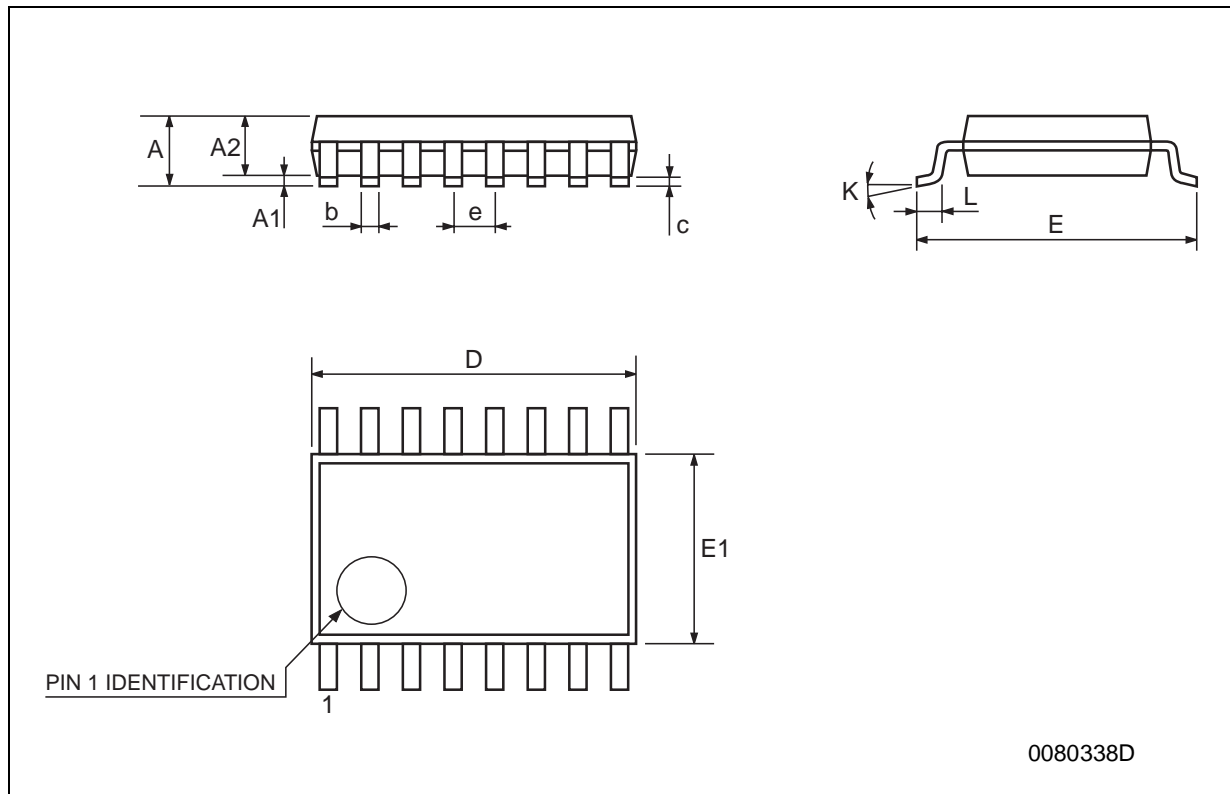
## SO-16 MECHANICAL DATA

DIM.	mm.			inch		
	MIN.	TYP.	MAX.	MIN.	TYP.	MAX.
A			1.75			0.068
a1	0.1		0.2	0.004		0.008
a2			1.65			0.064
b	0.35		0.46	0.013		0.018
b1	0.19		0.25	0.007		0.010
C		0.5			0.019	
c1	45° (typ.)					
D	9.8		10	0.385		0.393
E	5.8		6.2	0.228		0.244
e		1.27			0.050	
e3		8.89			0.350	
F	3.8		4.0	0.149		0.157
G	4.6		5.3	0.181		0.208
L	0.5		1.27	0.019		0.050
M			0.62			0.024
S	8			° (max.)		



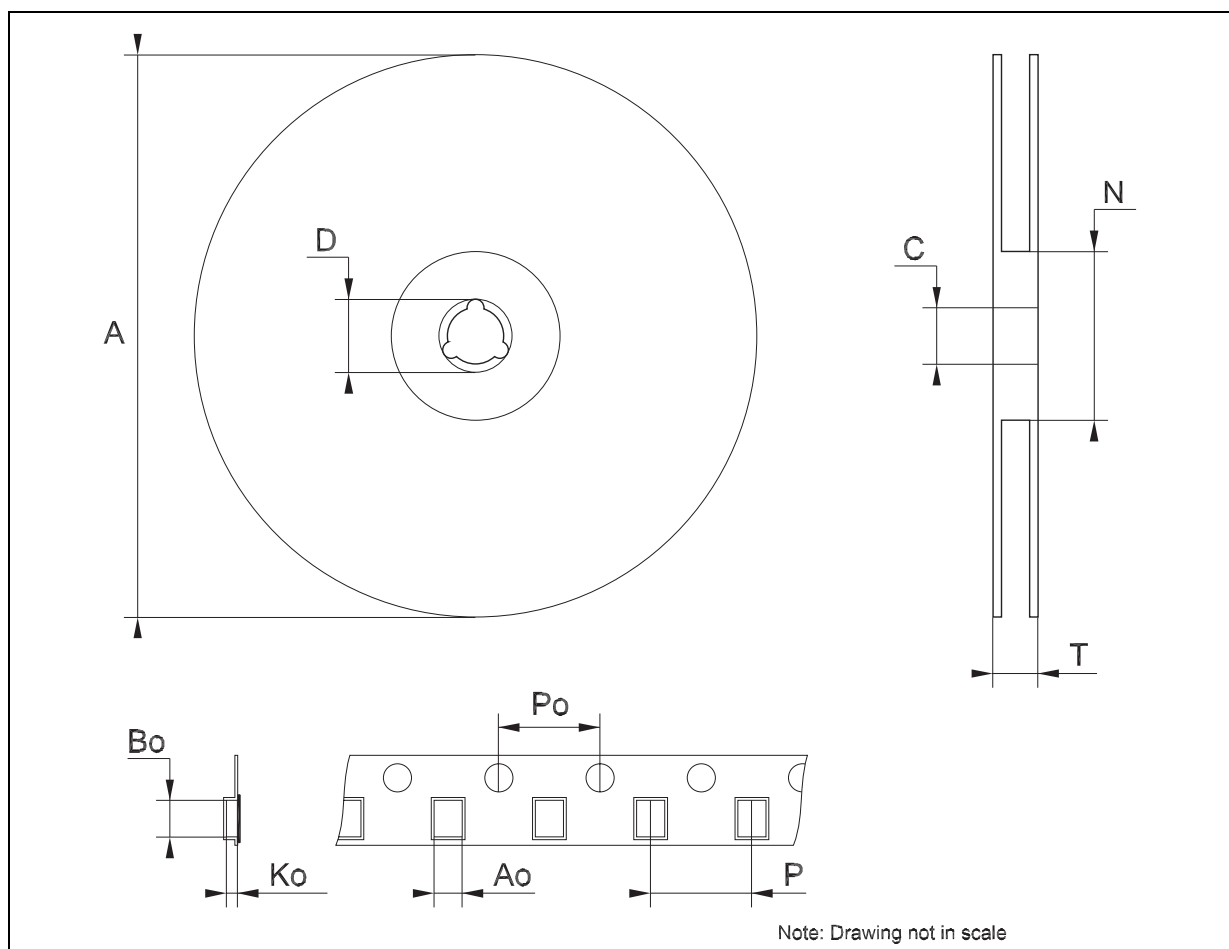
## TSSOP16 MECHANICAL DATA

DIM.	mm.			inch		
	MIN.	TYP	MAX.	MIN.	TYP.	MAX.
A			1.2			0.047
A1	0.05		0.15	0.002	0.004	0.006
A2	0.8	1	1.05	0.031	0.039	0.041
b	0.19		0.30	0.007		0.012
c	0.09		0.20	0.004		0.0079
D	4.9	5	5.1	0.193	0.197	0.201
E	6.2	6.4	6.6	0.244	0.252	0.260
E1	4.3	4.4	4.48	0.169	0.173	0.176
e		0.65 BSC			0.0256 BSC	
K	0°		8°	0°		8°
L	0.45	0.60	0.75	0.018	0.024	0.030



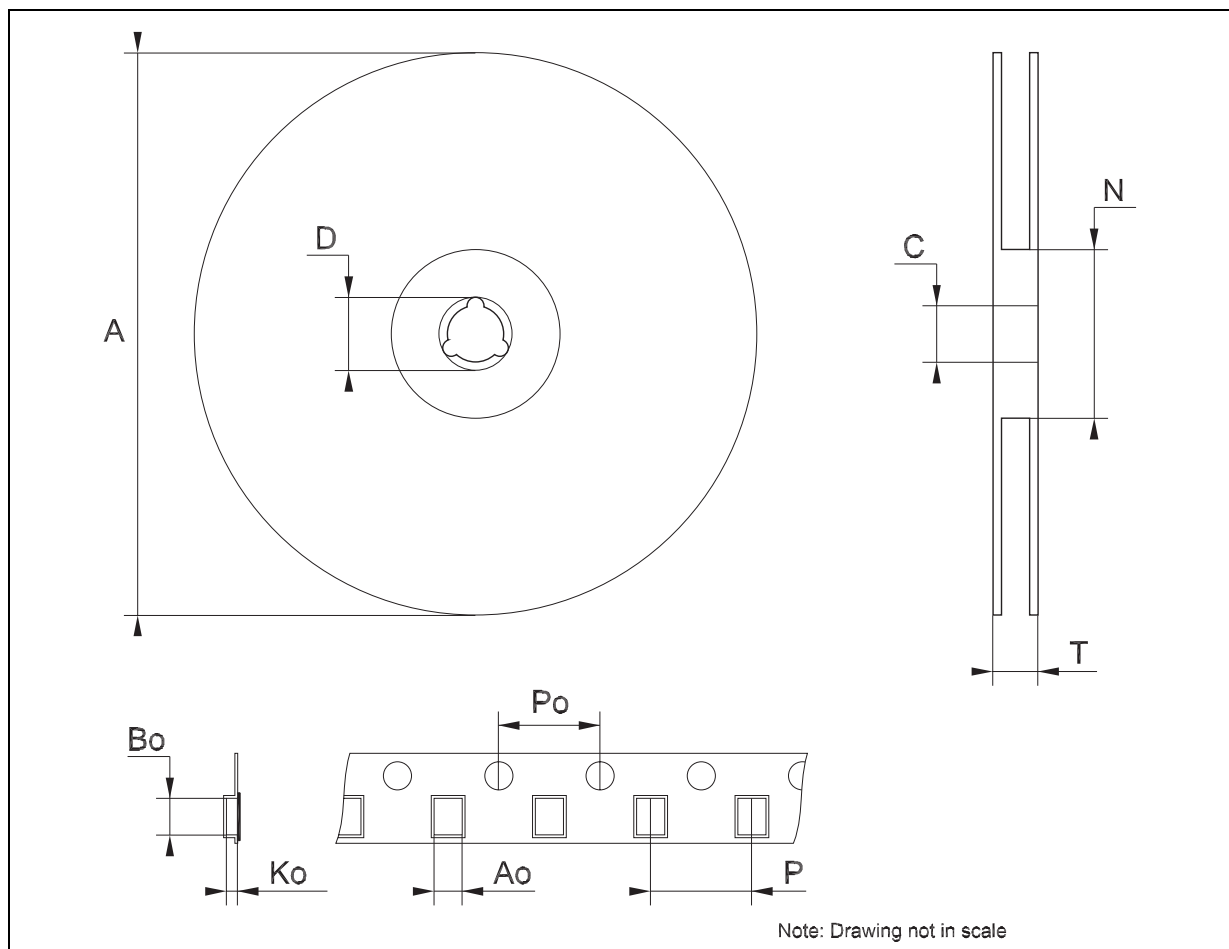
## Tape &amp; Reel SO-16 MECHANICAL DATA

DIM.	mm.			inch		
	MIN.	TYP	MAX.	MIN.	TYP.	MAX.
A			330			12.992
C	12.8		13.2	0.504		0.519
D	20.2			0.795		
N	60			2.362		
T			22.4			0.882
Ao	6.45		6.65	0.254		0.262
Bo	10.3		10.5	0.406		0.414
Ko	2.1		2.3	0.082		0.090
Po	3.9		4.1	0.153		0.161
P	7.9		8.1	0.311		0.319



**Tape & Reel TSSOP16 MECHANICAL DATA**

DIM.	mm.			inch		
	MIN.	TYP	MAX.	MIN.	TYP.	MAX.
A			330			12.992
C	12.8		13.2	0.504		0.519
D	20.2			0.795		
N	60			2.362		
T			22.4			0.882
Ao	6.7		6.9	0.264		0.272
Bo	5.3		5.5	0.209		0.217
Ko	1.6		1.8	0.063		0.071
Po	3.9		4.1	0.153		0.161
P	7.9		8.1	0.311		0.319



Information furnished is believed to be accurate and reliable. However, STMicroelectronics assumes no responsibility for the consequences of use of such information nor for any infringement of patents or other rights of third parties which may result from its use. No license is granted by implication or otherwise under any patent or patent rights of STMicroelectronics. Specifications mentioned in this publication are subject to change without notice. This publication supersedes and replaces all information previously supplied. STMicroelectronics products are not authorized for use as critical components in life support devices or systems without express written approval of STMicroelectronics.

© The ST logo is a registered trademark of STMicroelectronics

© 2003 STMicroelectronics - Printed in Italy - All Rights Reserved  
STMicroelectronics GROUP OF COMPANIES

Australia - Brazil - Canada - China - Finland - France - Germany - Hong Kong - India - Israel - Italy - Japan - Malaysia - Malta - Morocco  
Singapore - Spain - Sweden - Switzerland - United Kingdom - United States.

© <http://www.st.com>