

SANYO	No. 3988A	LA2230, LA2230M
		RDS Decoder

OVERVIEW

The LA2230 and LA2230M are RDS demodulator ICs with an on-chip 57 kHz bandpass filter and ARI-SK and DK signal identifiers. A high-performance, cost-effective RDS decoder system with group/block synchronization and error detection/correction can be built using an LC7070 series device with the LA2230 or LA2230M.

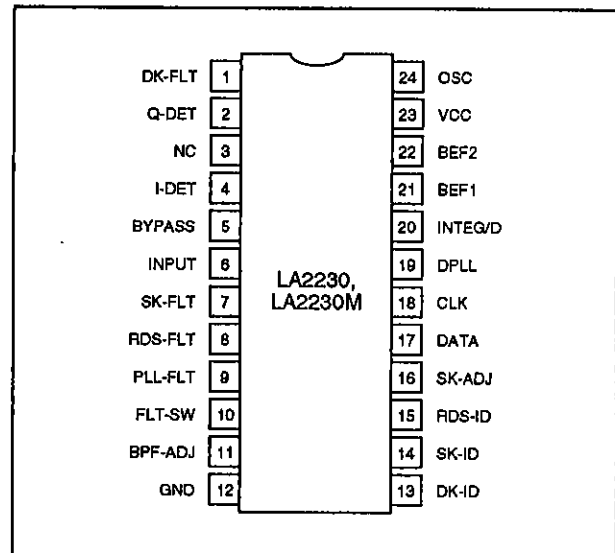
The LA2230 and LA2230M feature adjustable ARI detection sensitivity for improved interference rejection and a high-speed charging circuit for rapid power-on start-up. Including the 57 kHz bandpass filter on-chip results in lower-cost designs that use less PCB area.

The LA2230 and LA2230M operate from a 5 V supply and are available in 24-pin DIPs and 24-pin MFPs, respectively.

FEATURES

- 57 kHz bandpass filter
- Adjustable ARI detection sensitivity
- High-speed charging circuit
- ARI and RDS signal demodulation
- Bit-rate clock recovery
- RDS, DK and SK identification outputs
- 5 V supply
- 24-pin DIP (LA2230) and 24-pin MFP (LA2230M)

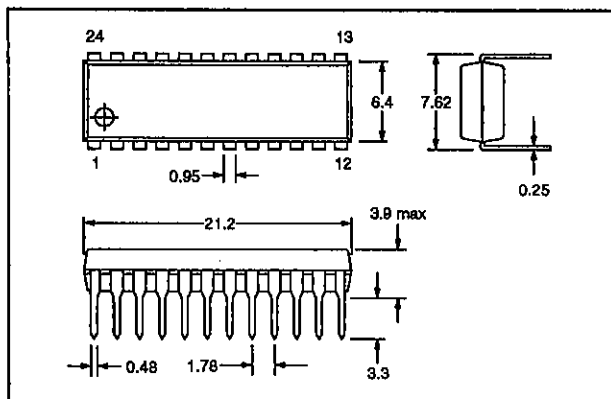
PINOUT



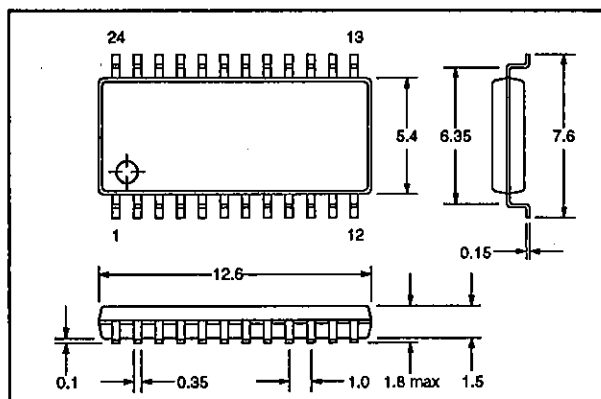
PACKAGE DIMENSIONS

Unit: mm

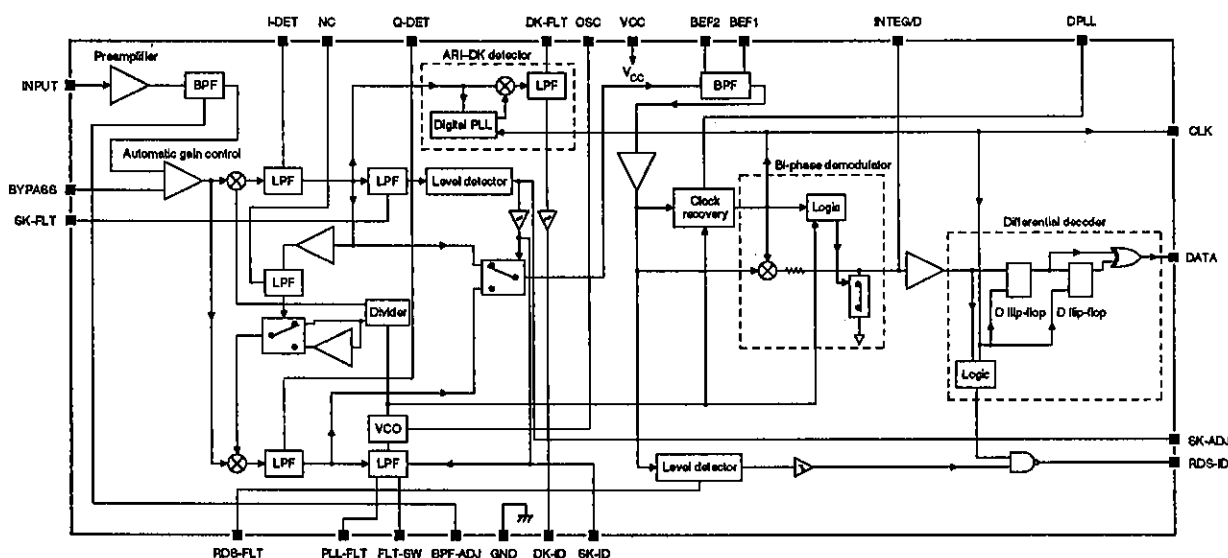
3067-DIP24S (LA2230)



3112-MFP24S (LA2230M)



BLOCK DIAGRAM



PIN DESCRIPTION

Number	Name	Description
1	DK-FLT	DK in-phase detector lowpass filter connection
2	Q-DET	Quadrature detection output
3	NC	No connection. Should be left open.
4	I-DET	In-phase detector output
5	BYPASS	Bandpass filter bypass capacitor connection
6	INPUT	ARI and RDS signal input
7	SK-FLT	SK lowpass filter capacitor connection
8	RDS-FLT	RDS lowpass filter capacitor connection
9	PLL-FLT	PLL loop filter connection
10	FLT-SW	PLL loop filter switch

LA2230, LA2230M

Number	Name	Description
11	BPF-ADJ	Bandpass filter adjustment variable resistor connection
12	GND	Ground
13	DK-ID	ARI-DK signal identification output
14	SK-ID	ARI-SK signal identification output
15	RDS-ID	RDS signal identification output
16	SK-ADJ	ARI detection sensitivity adjustment variable resistor connection
17	DATA	Data output
18	CLK	Bit-rate clock output
19	DPLL	Digital PLL lowpass filter connection
20	INTEG/D	Integrator and dump capacitor connection
21	BEF1	Band-elimination filter connections
22	BEF2	
23	VCC	5 V supply
24	OSC	Ceramic resonator connection

SPECIFICATIONS

Absolute Maximum Ratings

Parameter	Symbol	Rating	Unit
Supply voltage	V_{CC}	12	V
Power dissipation	P_D	450 (LA2230)	mW
		450 (LA2230M, $T_a \leq 37.5^\circ\text{C}$)	
		280 (LA2230M, $T_a = 80^\circ\text{C}$)	
Operating temperature range	T_{opr}	-30 to 80	$^\circ\text{C}$
Storage temperature range	T_{stg}	-40 to 125 (LA2230)	$^\circ\text{C}$
		-40 to 150 (LA2230M)	

Recommended Operating Conditions

$T_a = 25^\circ\text{C}$

Parameter	Symbol	Rating	Unit
Supply voltage	V_{CC}	5	V
Supply voltage range	V_{CC}	4.7 to 5.5	V

Electrical Characteristics

$V_{CC} = 5\text{ V}$, $T_a = 25^\circ\text{C}$

Parameter	Symbol	Condition	Rating			Unit
			min	typ	max	
Quiescent supply current	I_{CCQ}		14	22	28	mA
RDS detection sensitivity	V_{IT}	V_{INPUT} = minimum signal for HIGH-to-LOW transition on RDS-ID	-	0.4	1.0	mV

LA2230, LA2230M

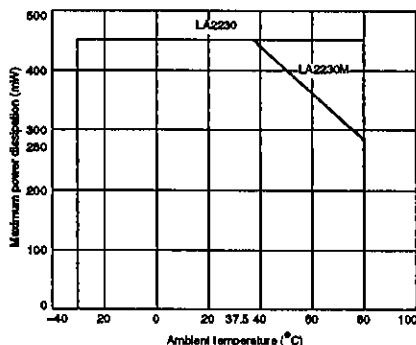
Parameter	Symbol	Condition	Rating			Unit
			min	typ	max	
SK detection sensitivity	V_{I2}	V_{INPUT} = minimum signal for HIGH-to-LOW transition on SK-ID	-	1.0	2.0	mV
DK detection sensitivity	V_{I3}	V_{INPUT} = minimum signal for HIGH-to-LOW transition on DK-ID	-	1.1	2.0	mV
RDS detection maximum input signal	V_{I4}	V_{INPUT} = maximum (ARI + RDS) signal for HIGH-to-LOW transition on RDS-ID	30	50	-	mV
	V_{I5}	V_{INPUT} = maximum RDS signal for RDS data correctly demodulated	250	-	-	mV
DK detection maximum input signal	V_{I6}	V_{INPUT} = maximum ARI signal for HIGH-to-LOW transition on DK-ID	75	100	-	mV
CLK and DATA LOW-level output voltage	V_{OL}		0	0.1	0.3	V
CLK and DATA HIGH-level output voltage	V_{OH}		4.7	4.9	5.0	V
Bandpass filter voltage gain	V_G	$f = 57$ kHz	9.0	12.5	17.0	dB
Bandpass filter attenuation	α	$f = 60$ kHz. See note 1.	0	2.5	6.0	dB
		$f = 54$ kHz. See note 1.	0	3.5	6.0	dB
		$f = 38$ kHz. See note 1.	33	39	-	dB
PLL capture range	CR	Low side, $V_{INPUT} = 5$ mV sine wave	-	-0.9	-	%
		High side, $V_{INPUT} = 5$ mV sine wave	-	1.5	-	
Bit-rate clock jitter	t_j		± 8	± 9	± 10	μs
RDS lock-up time	t_{RDS}	Period from $V_{INPUT} = 3$ mV RDS signal to HIGH-to-LOW transition on RDS-ID	-	35	-	ms
SK lock-up time	t_{SK}	Period from $V_{INPUT} = 8$ mV ARI signal to HIGH-to-LOW transition on SK-ID	-	45	-	ms
SK + RDS lock-up time	$t_{SK + RDS}$	Period from $V_{INPUT} = 8.5$ mV (ARI + RDS) signal to HIGH-to-LOW transition on RDS-ID	-	80	-	ms
VCO free-running frequency	f_{VCO}		453	456	459	kHz
BPF adjustment resistance	R_{ADJ}	$V_{INPUT} = 100$ mV at 57 kHz. See note 2.	5.6	8.0	10.6	k Ω

Notes

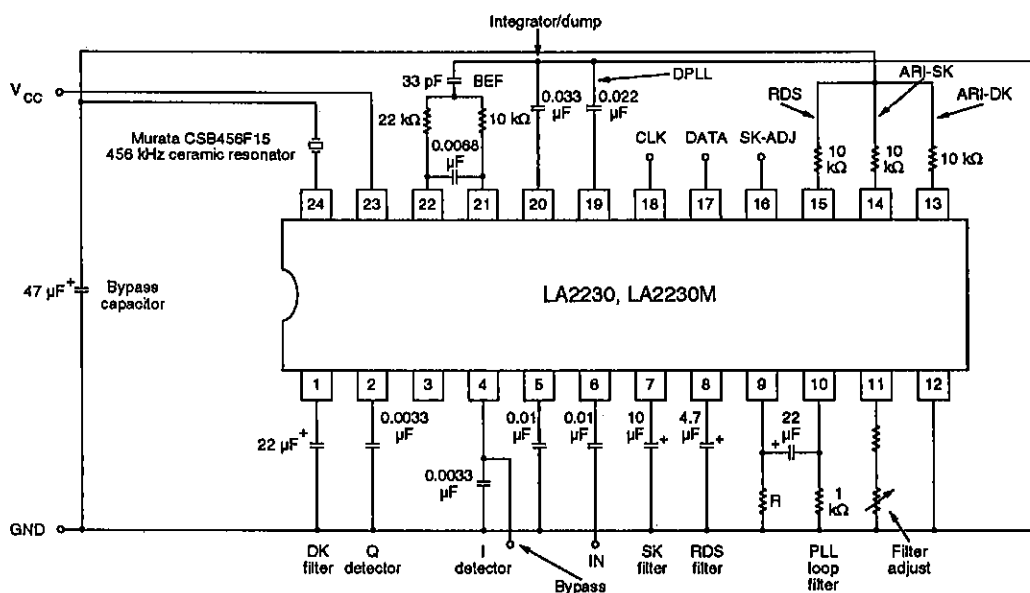
- 0 dB is referenced to the filter output with $f = 57$ kHz.
- Resistance between BPF-ADJ and GND when V_{BYPASS} is at its maximum.

Typical Performance Characteristics

Maximum power dissipation vs. ambient temperature



Measurement Circuit



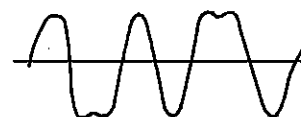
Note

R = 1.2 MΩ for the LA2230, and 1.5 MΩ for the LA2230M

OPERATING INFORMATION

57 kHz Bandpass Filter Adjustment

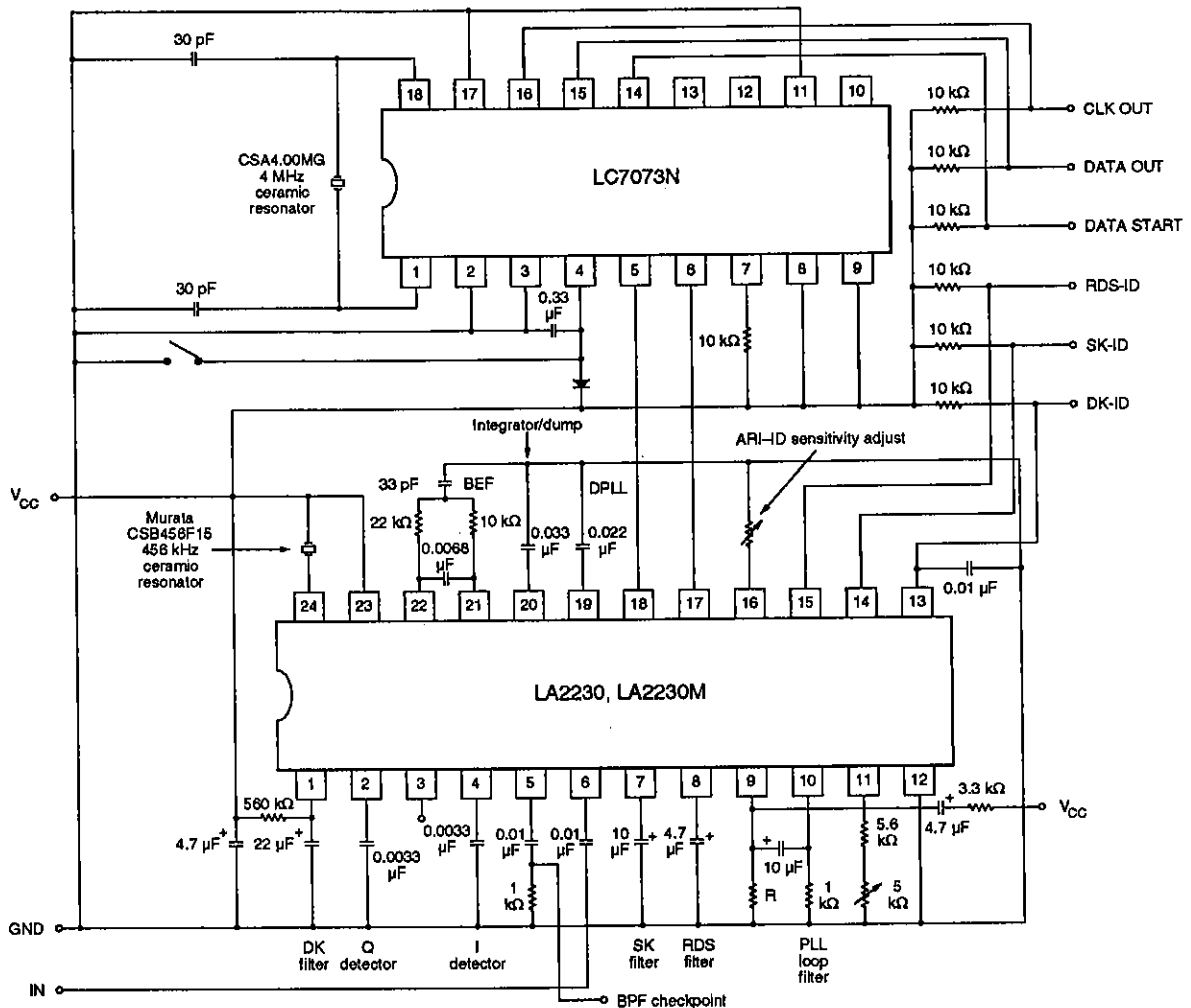
1. Adjust the variable resistor connected to BPF-ADJ to obtain the maximum signal level measured at I-DET or BEF2.
2. When $V_{INPUT} = 1$ mV RDS signal, check I-DET or BEF2 for a bi-phase output signal as shown in the following figure. Note that the ALC circuit will not operate when $V_{INPUT} \leq 1$ mV.



3. Check the BPF checkpoint signal level when $V_{INPUT} = 3$ to 6 mV or greater RDS signal.

TYPICAL APPLICATION

The recommended input is a 3 to 6 mV RDS signal with $\Delta f = \pm 2$ kHz.



Note

R = 1.2 MΩ for the LA2230, and 1.5 MΩ, for the LA2230M

- No products described or contained herein are intended for use in surgical implants, life-support systems, aerospace equipment, nuclear power control systems, vehicles, disaster/crime-prevention equipment and the like, the failure of which may directly or indirectly cause injury, death or property loss.
- Anyone purchasing any products described or contained herein for an above-mentioned use shall:
 - ① Accept full responsibility and indemnify and defend SANYO ELECTRIC CO., LTD., its affiliates, subsidiaries and distributors and all their officers and employees, jointly and severally, against any and all claims and litigation and all damages, cost and expenses associated with such use;
 - ② Not impose any responsibility for any fault or negligence which may be cited in any such claim or litigation on SANYO ELECTRIC CO., LTD., its affiliates, subsidiaries and distributors or any of their officers and employees jointly or severally.
- Information (including circuit diagrams and circuit parameters) herein is for example only; it is not guaranteed for volume production. SANYO believes information herein is accurate and reliable, but no guarantees are made or implied regarding its use or any infringements of intellectual property rights or other rights of third parties.