

CML Semiconductor Products

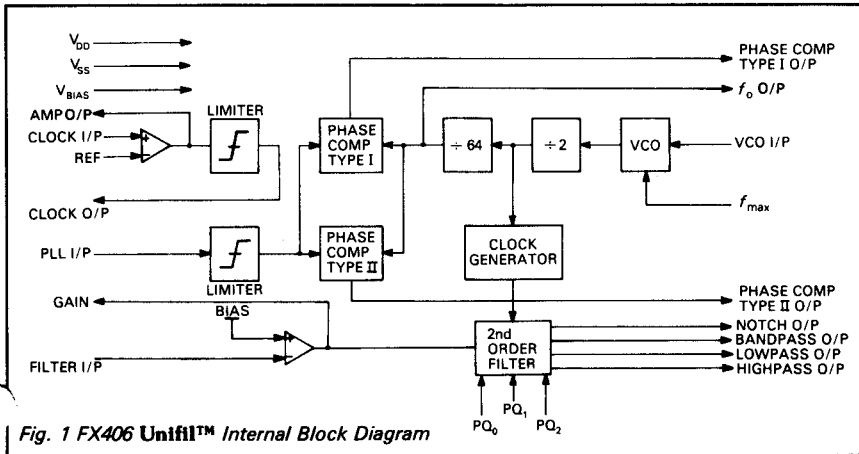
PRODUCT INFORMATION

FX406 Unifil™ Universal Analogue Signal Processor

Publication D/406/7 July 1994

Features/Applications

- 2nd Order Multiple Filter
- PLL Clock Generator
- Programmable Q
- F_c set by RC or External Clock
- Gain Adjustment on Inputs
- Single 5 Volt Supply CMOS
- Programmable Filters
- Voltage Controlled Filters
- Sinewave Oscillator
- Tracking Filters/Oscillators
- FSK and PSK Modems
- Square-Sine, Pulse-Sine Converter



FX406

Fig. 1 FX406 Unifil™ Internal Block Diagram

Brief Description

The FX406 Unifil™ is a CMOS LSI circuit with a wide variety of signal processing applications. The device consists of a switched capacitor second order active filter with a single input and outputs for bandpass, notch, lowpass and highpass frequency responses, together with a clock generator to provide the switched capacitor sampling clock frequency. The centre frequency of the bandpass and notch filters is the same as the cut-off frequency f_c of the lowpass and highpass filters. The filter sampling clock is

derived from a multiplying phase locked loop whose reference or input frequency is the same as the desired cut-off frequency of the filters. The PLL comprises a voltage controlled oscillator, one of two types of phase comparator, a fixed divider and an external RC loop filter. Facilities are provided to programme the cut-off frequency of the filters by injecting an external signal into the PLL, or by using the on-chip clock oscillator circuit. The filters have gain adjustment on the input and the Q is programmable to eight values between 0.54 and 8.0.

Pin Number Function

FX406J FX406LG																																						
1	1	PCI O/P: Output of 'EXCLUSIVE-OR' type phase comparator. See Note on PLL operation.																																				
2	2	PLL I/P: Input to limiter preceding phase comparators.																																				
3	4	f_o O/P: Divided down VCO square wave output.																																				
4	5	PQ I/P: These pins set the Q of the filters; they have internal resistors to set Q = 0.71 if left open circuit (logic state 1 0 1, = 1MΩ) PQ⁰ I/P: set Q = 0.71 if left open circuit (logic state 1 0 1, = 1MΩ) PQ¹ I/P: Possible Q values are: <table border="1" style="margin-left: 20px; margin-top: 5px;"> <thead> <tr> <th>PQ₂</th> <th>PQ₁</th> <th>PQ₀</th> <th>Q</th> </tr> </thead> <tbody> <tr><td>1</td><td>1</td><td>1</td><td>0.54*</td></tr> <tr><td>1</td><td>1</td><td>0</td><td>0.58 (Bessel)</td></tr> <tr><td>1</td><td>0</td><td>1</td><td>0.71 (Butterworth)</td></tr> <tr><td>1</td><td>0</td><td>0</td><td>1.00</td></tr> <tr><td>0</td><td>1</td><td>1</td><td>1.31</td></tr> <tr><td>0</td><td>1</td><td>0</td><td>2.00</td></tr> <tr><td>0</td><td>0</td><td>1</td><td>4.00</td></tr> <tr><td>0</td><td>0</td><td>0</td><td>8.00</td></tr> </tbody> </table>	PQ ₂	PQ ₁	PQ ₀	Q	1	1	1	0.54*	1	1	0	0.58 (Bessel)	1	0	1	0.71 (Butterworth)	1	0	0	1.00	0	1	1	1.31	0	1	0	2.00	0	0	1	4.00	0	0	0	8.00
PQ ₂	PQ ₁		PQ ₀	Q																																		
1	1		1	0.54*																																		
1	1		0	0.58 (Bessel)																																		
1	0	1	0.71 (Butterworth)																																			
1	0	0	1.00																																			
0	1	1	1.31																																			
0	1	0	2.00																																			
0	0	1	4.00																																			
0	0	0	8.00																																			
5	6																																					
6	7																																					
		* (Cascaded with a 1.31 section for a 4th order Butterworth filter).																																				
7	8	Clock O/P: Digital output of limiter from uncommitted amplifier.																																				
8	10	Amp O/P: Analogue output of uncommitted amplifier.																																				
9	11	Reference: Inverting input to uncommitted amplifier.																																				
10	12	Clock I/P: Non-inverting input to uncommitted amplifier.																																				
11	13	V_{SS}: Negative supply.																																				
12	14	V_{BIAS} : V _{DD} / 2 bias pin, externally decoupled.																																				
13	15	Filter I/P: Input to filter input buffer amplifier.																																				
14	16	Gain: Output of filter input buffer amplifier.																																				
15	17	Highpass O/P: Output of the highpass filter. The cut-off frequency is identical to the input frequency of the PLL when locked.																																				
16	18	Lowpass O/P: Output of the lowpass filter. The cut-off frequency is the same as the highpass filter.																																				
17	19	Bandpass O/P: Output of the bandpass filter. f _o is identical to the input frequency to the PLL when locked. Gain in passband is dependent on Q.																																				
18	20	Notch O/P: Output of the notch filter, f _o , is the same as the bandpass filter.																																				
19	21	VCO I/P: Input of the VCO control voltage, usually connected to loop filter output.																																				
20	22	f_{max} : This pin is connected to V _{SS} via an external resistor R _{max} (R _{max} , see Figure 7). The value sets the maximum frequency of operation of the VCO, see Figures 9(a) and (b).																																				
21	23	PCII O/P: Output of the edge-triggered type of phase comparator. See Note on PLL operation.																																				
22	24	V_{DD} : Positive supply.																																				
	3, 9	No Connection: Leave open circuit.																																				

Specification

Absolute Maximum Ratings

Exceeding the maximum rating can result in device damage. Operation of the device outside the operating limits is not implied.

Supply voltage	-0.3V to 7.0V
Input voltage at any pin (ref $V_{SS} = 0V$)	-0.3V to ($V_{DD} + 0.3V$)
Output sink/source current (total)	20mA
Operating temperature range: FX406J	-30°C to + 85°C
FX406LG	-30°C to + 70°C
Storage temperature range: FX406J	-55°C to + 125°C
FX406LG	-40°C to + 85°C
Maximum device dissipation:	All versions 100mW

Operating Limits

Typical characteristics measured using the following parameters unless otherwise specified:

$V_{DD} = 5V$, $T_{amb} = 25°C$, PLL input = 1kHz, filter $Q = 0.707$.

Limits specified over the full operating temperature and working voltage range.

Characteristics	See Note	Min	Typ	Max	Unit
Static Characteristics					
Supply voltage		4.5	5.0	5.5	V
Supply current		—	4.5	8.5	mA
Input impedance (Filter & Clock Osc)		1.0	—	—	M Ω
Output impedance (Filter Outputs)		—	—	1.0	k Ω
Output impedance (Clock Output)		—	—	1.0	k Ω
Input impedance (PQ_0 , PQ_1 , PQ_2)		250	—	—	k Ω
Output impedance (f_o output)		—	—	5.0	k Ω
Input logic '1'		70% V_{DD}	—	—	V
Input logic '0'		—	—	30% V_{DD}	V
Filter Characteristics					
Maximum cutoff frequency		4.0	5.0	—	kHz
Minimum cutoff frequency		—	50	100	Hz
Gain at f_c (f_o) (HP BP LP)		—	20 log Q	—	dB
Notch filter depth	1	—	-30	—	dB
Notch accuracy	1	—	$\pm 0.5\% f_o$	—	Hz
Maximum signal handling	2	3.0	—	—	Vp-p
No signal filter noise (BP)		—	6.0	—	mVrms
(LP HP N)		—	3.0	—	mVrms
VCO Characteristics					
VCO maximum frequency	3	4.0	5.0	—	kHz
VCO minimum frequency	3	—	50	100	Hz
VCO input impedance		1.0	—	—	M Ω
Phase Comparator Characteristics					
Input impedance		100	500	—	k Ω
Input sensitivity	4	30	10	—	mVrms
Output impedance PCII	5	—	—	1.5	k Ω
PCI		—	—	1.5	k Ω
Amplifier Characteristics (Clock Oscillator and Filter inputs)					
Open loop gain		40	—	—	dB
Input offset voltage		—	—	10	mV
Maximum signal handling	2	3.0	—	—	Vp-p

Notes: 1. $Q = 8$.

2. For $SINAD = 30dB$ at output.

3. VCO frequency divided down at f_o output.

4. At PLL input pin, ac coupled.

5. Output impedance when conducting, output is high impedance three-state when PLL is in lock.

Typical Filter Frequency Responses

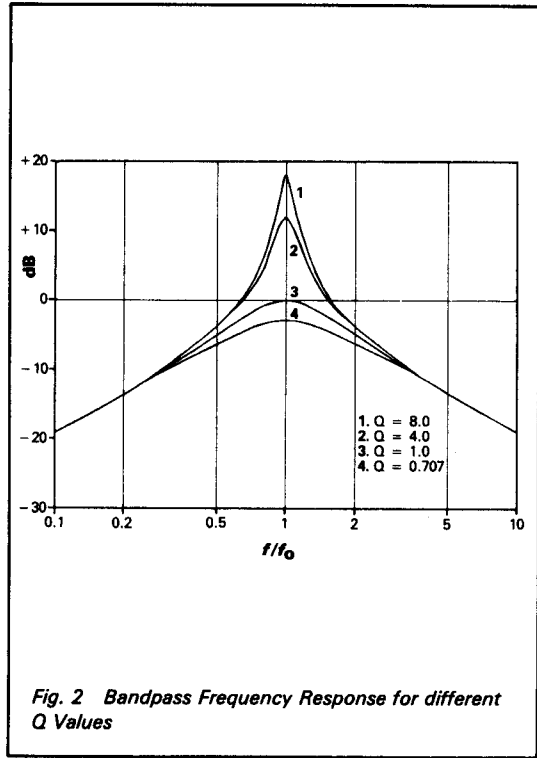


Fig. 2 Bandpass Frequency Response for different Q Values

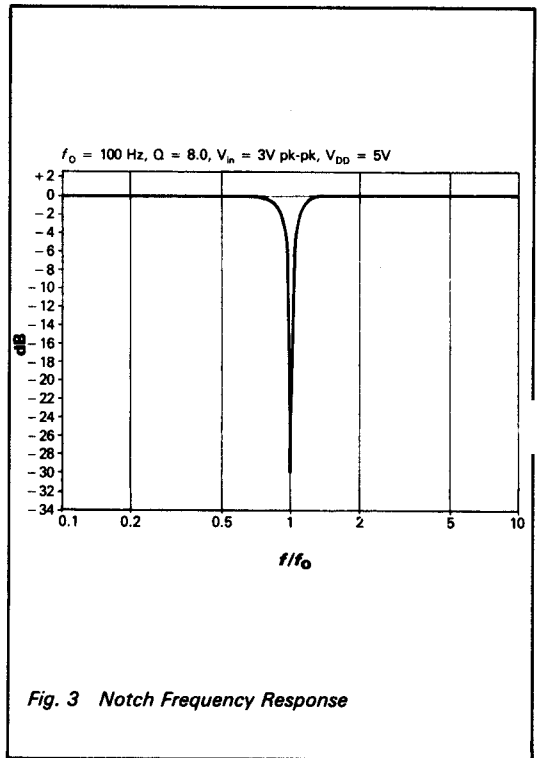


Fig. 3 Notch Frequency Response

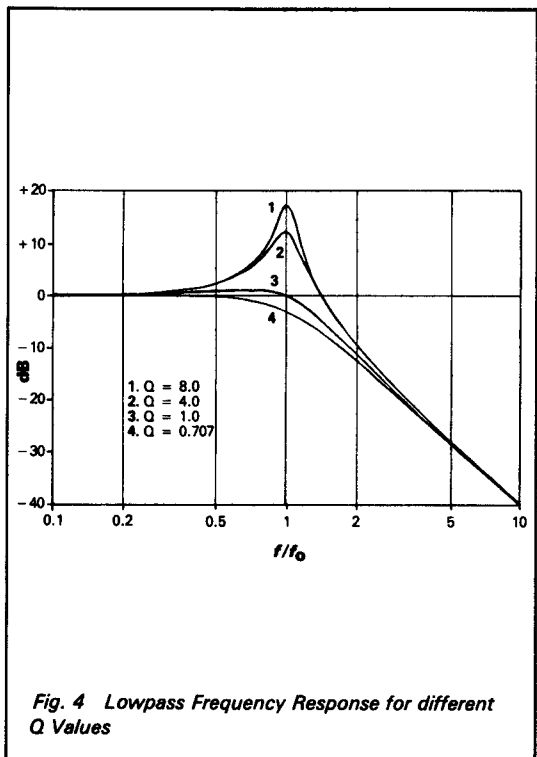


Fig. 4 Lowpass Frequency Response for different Q Values

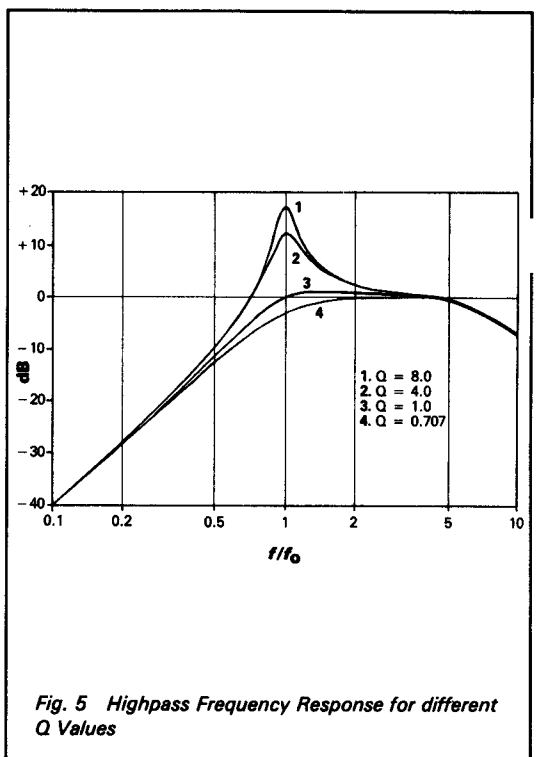


Fig. 5 Highpass Frequency Response for different Q Values

PC4060 PCB For Design Evaluation

To assist in customer's design evaluation of the FX406, a PCB is available to enable external components to be connected for easy evaluation of application circuits.

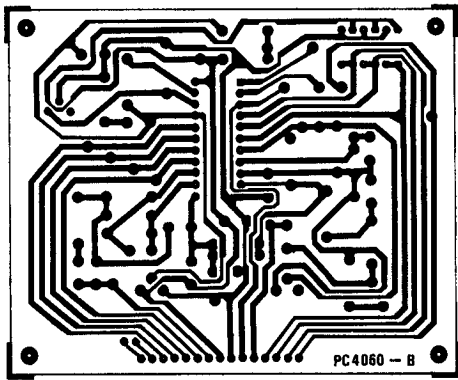


Fig. 6 (a) Track Side

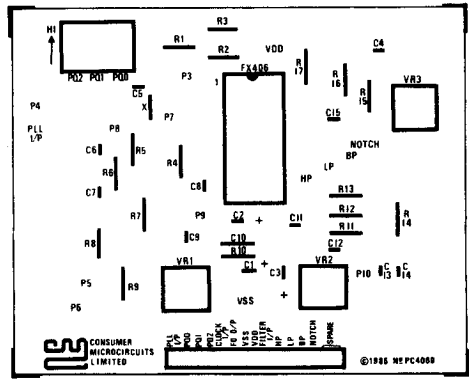


Fig. 6 (b) Component Side

Fig. 6 PC4060 Printed Circuit Board

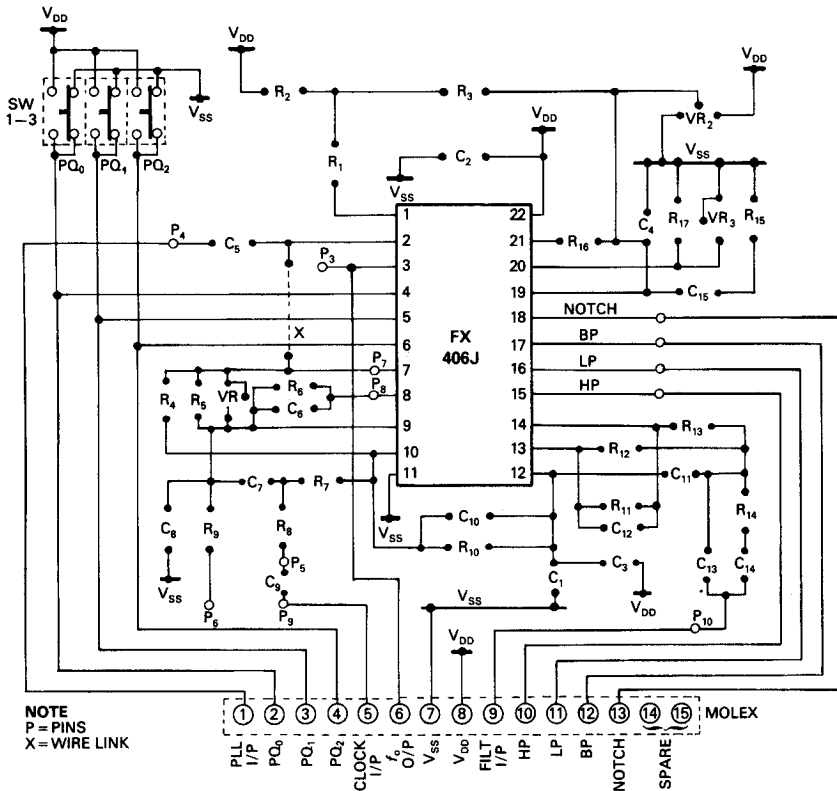


Fig. 6 (c) PC4060 Printed Circuit Board Schematic Diagram

External Component Connections

The following examples of external component connections illustrate the basic modes of operation of the FX406. Where component references are used, these are the same as the circuit references on the PC4060 Evaluation PCB.

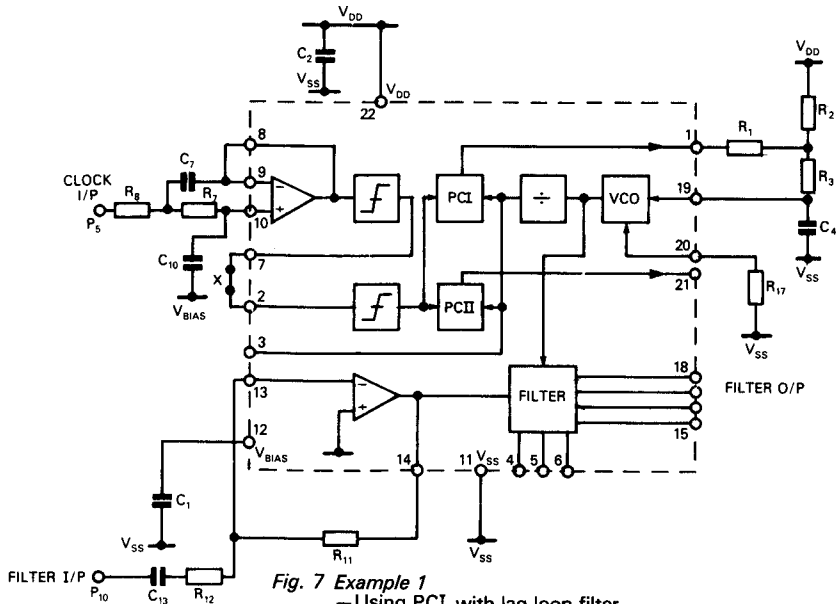
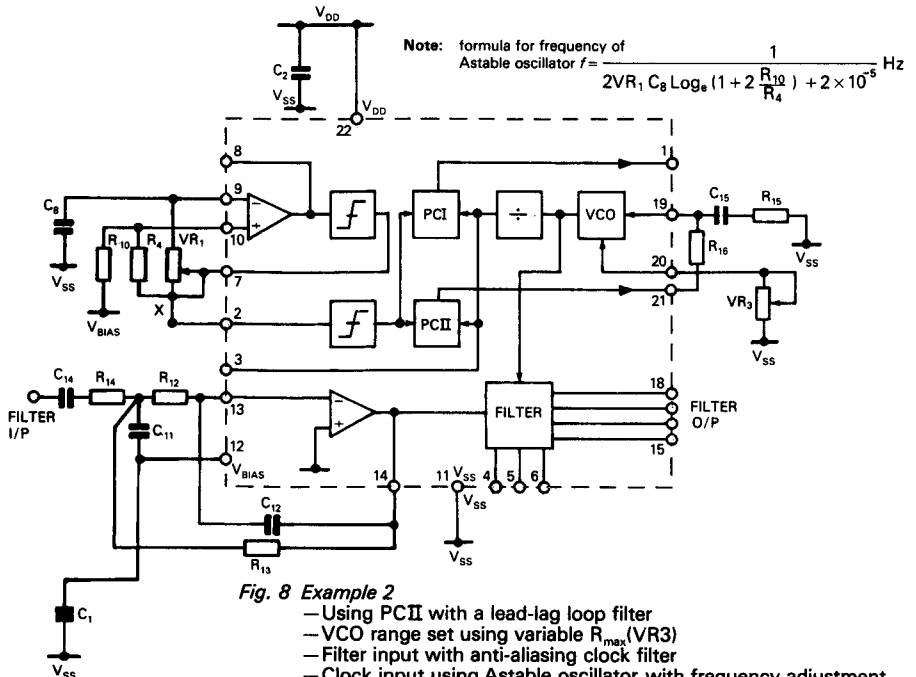


Fig. 7 Example 1

- Using PCI with lag loop filter
- VCO range set using R_{max} (R_1, R_2) and f_{min} potential divider (R_1, R_2)
- Filter input with simple gain adjustment
- Clock input pre-filtered with 2nd order LPF.



Note: formula for frequency of Astable oscillator $f = \frac{1}{2VR_1 C_8 \text{Log}_e(1 + 2 \frac{R_{10}}{R_4}) + 2 \times 10^5} \text{ Hz}$

Fig. 8 Example 2

- Using PCI with a lead-lag loop filter
- VCO range set using variable R_{max} (VR3)
- Filter input with anti-aliasing clock filter
- Clock input using Astable oscillator with frequency adjustment

Application Notes

Note 1 – Setting VCO Frequency Range.

Set f_{max}^* of VCO by selecting R_{max} using graph in Fig. 9(a) & 9(b). If Phase comparator I is being used, it is also possible to set f_{min} of the VCO by using the network shown in Fig. 9(c). R_{min} may be determined using the graph in Fig. 9(c).

*Frequencies shown in graphs are actually $f_{VCO}/128$.

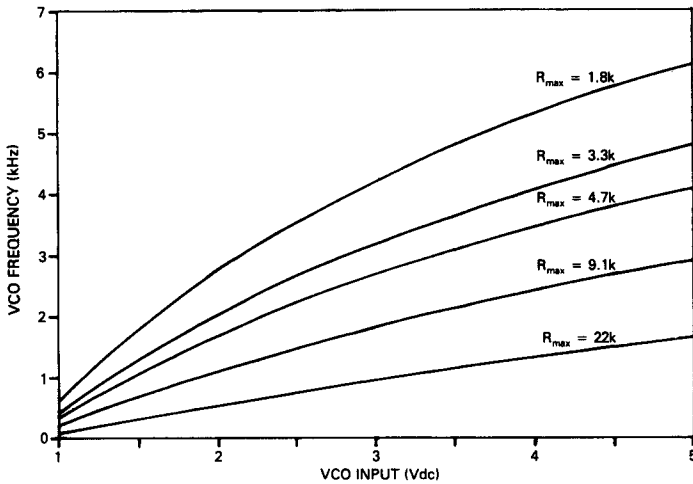


Fig. 9(a) VCO Conversion Gain Curves For Different Values of R_{max} (R_{17})

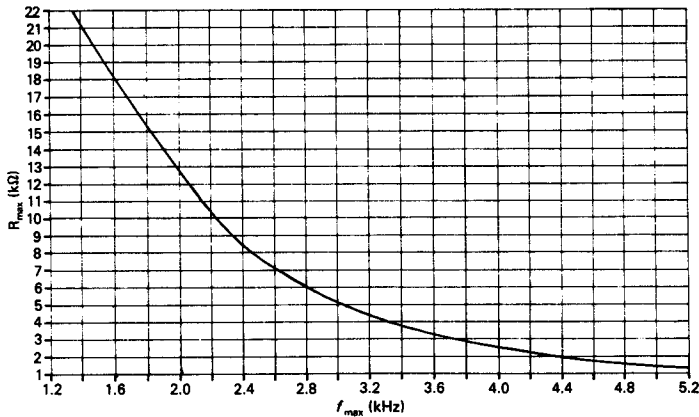


Fig. 9(b) VCO f_{max} Versus R_{max} Curve

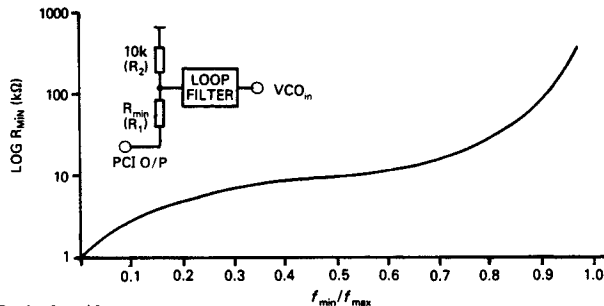


Fig. 9(c) R_{min} Versus Ratio f_{min}/f_{max}

Note 2 – Loop Filter Design

In order to maintain a fixed phase relationship between the VCO and reference input (or clock) signals, a 'second order loop' must be established. This is achieved by placing a lowpass filter between the phase comparator output and the VCO control input.

This filter may be a 'lag' filter, (Fig.10a) or for improved stability a 'lead-lag' filter, (Fig10b).

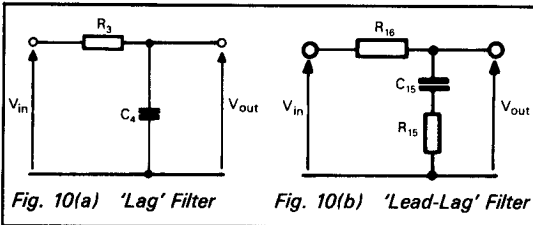


Fig. 10(a) 'Lag' Filter Fig. 10(b) 'Lead-Lag' Filter

The overall loop gain is given by $K_p \cdot K_F \frac{K_{VCO}}{j\omega} \cdot K_{div}$

Where: K_p = phase comparator gain in volts/radian.
 K_F = filter gain in volts/volt.
 K_{VCO} = VCO conversion gain in radians/sec-volt.
 K_{div} = divider gain in radians/radian (1/128).

Selection of the frequency at which the loop gain is unity (0dB) depends on the application, the unity gain frequency should be high enough to allow the loop to track expected variations of the reference frequency but low enough to provide a 'flywheel' action to average noise and unwanted input transients.

Some typical loop filter component values for the FX406 using phase comparator II are tabled below.

f_{ug} Unity gain frequency (Hz)	$R_{17} = 1.8k\Omega$		C_{15} (F)
	R_{16} (Ω)	R_{15} (Ω)	
50	92k	13k	1 μ
100	39k	6k2	1 μ
250	200k	62k	0.1 μ
500	16k	24k	0.1 μ

When using phase comparator I, the loop filter frequency response may be used to limit the capture range of the loop, that is the range of input frequencies that the loop will lock onto. This property may be used to provide a degree of selectivity if required. The following table shows filter component values for various capture ranges. It should be noted that the loop filter used here is the simple 'lag' filter (i.e. $R_2 = 0$), this is to minimise ripple at $2 \times f_{in}$ on the loop filter output which would cause frequency modulation of the switched capacitor filter response.

Capture Range $2f_c$ (Hz)	R_3 (Ω)	C_4 (F)
100	470k	340n
200	100k	390n
500	100k	68n
1000	100k	15n
2000	100k	3.9n

Note 3 – Phase Comparators

The following table shows the principal characteristics of second order loops using phase comparator I ('EX-OR') with a 'lag' filter and phase comparator II (edge-triggered) using a 'lead-lag' filter.

	PC I	PC II
Input duty cycle	50% optimum	don't care
Locks on harmonics of wanted signal	Yes	No
Noise rejection	Good	Poor
Ripple at $2 \times f_{in}$ on loop filter output	Yes	Low
Lock range, $2f_l$	$f_{max} - f_{min}$	$f_{max} - f_{ug}$
Capture range, $2f_c$	$\frac{1}{\pi} \sqrt{\frac{K_p K_{VCO} K_{div}}{2\tau_1}}$	$f_{max} - f$
Frequency of VCO for no signal input	$\frac{f_{max} - f_{min}}{2}$	f_{min}
Phase angle between f_{ref} and $f_{vco}/128$ in lock.	0° at f_{min} 180° at f_{max} 90° at mid-point	0°

Note 4 – Anti-aliasing

The relationship between f_0 and the switched capacitor sampling clock in the FX406 is $f_{clk} = 64f_0$. This type of sampled filter produces alias or image responses centred on half the sampling rate, i.e., $32f_0$.

Filters with passbands extending beyond $32f_0$ will have spurious responses reflected into the passband at a corresponding distance below $32f_0$.

If the input frequency spectrum to the filter is likely to contain components at these alias frequencies then an additional RC filter is required to attenuate these inputs. This is easily accomplished by using the filter input amplifier, Fig. 11 shows a 2nd order 5kHz lowpass filter with passband gain suitable for values of f_0 above 250Hz.

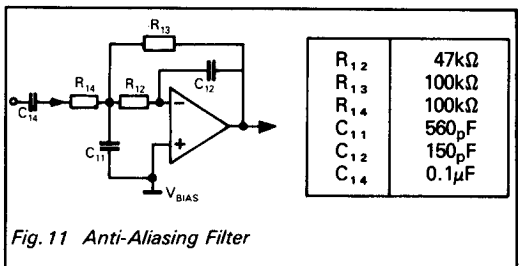


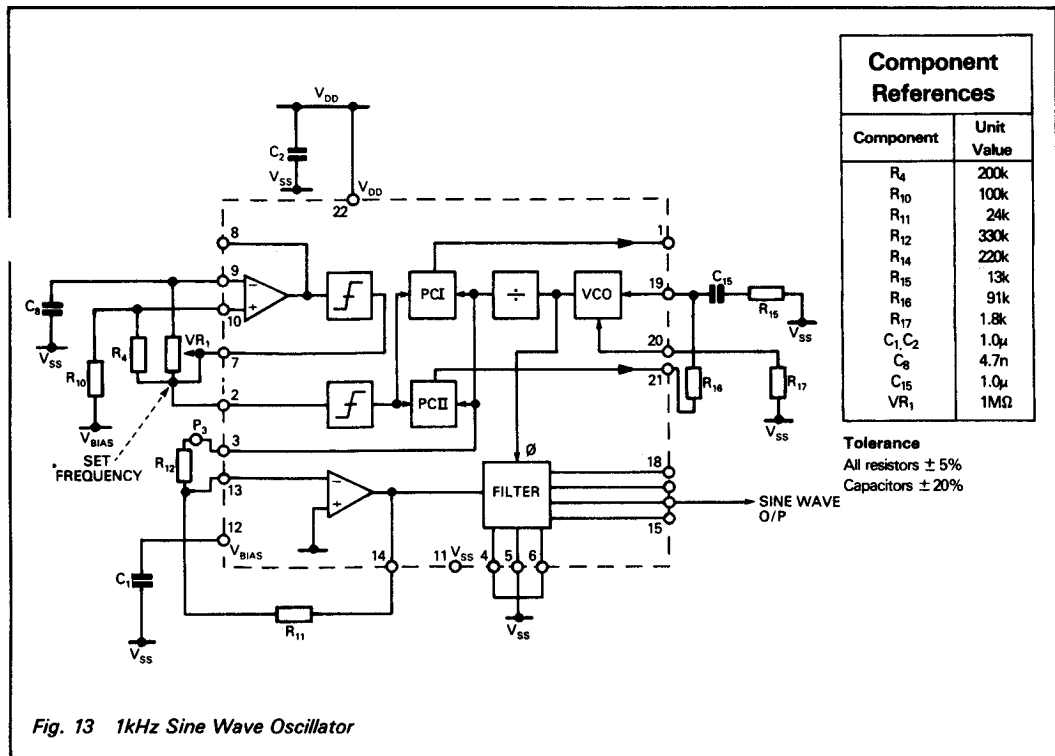
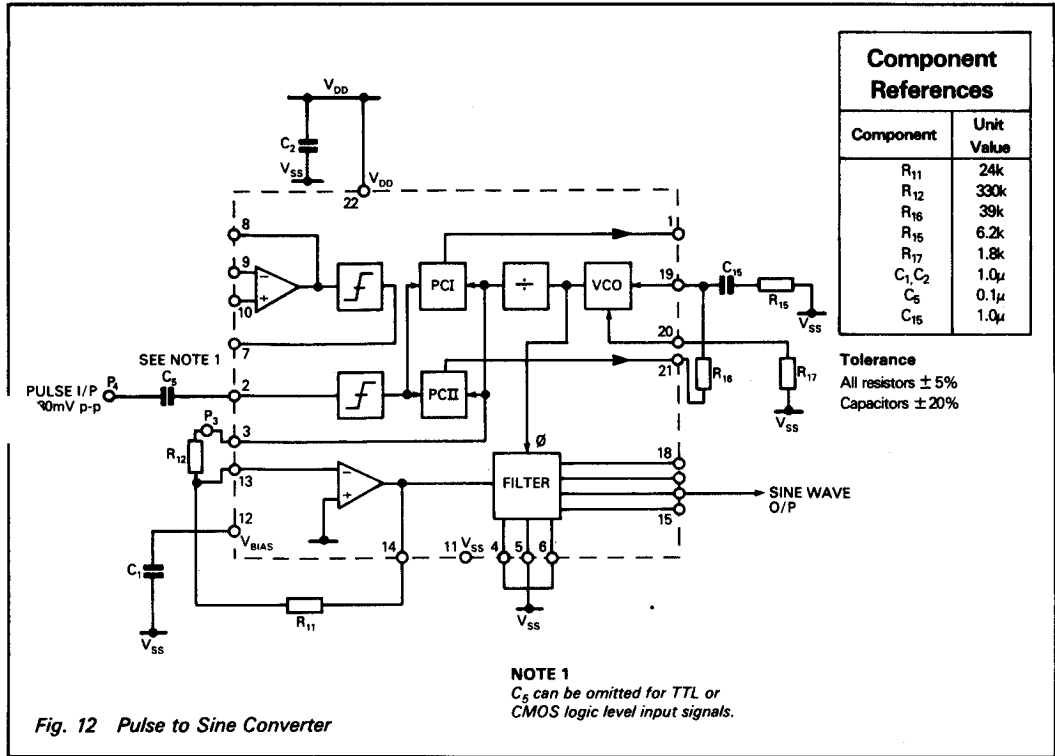
Fig. 11 Anti-Aliasing Filter

Special Note

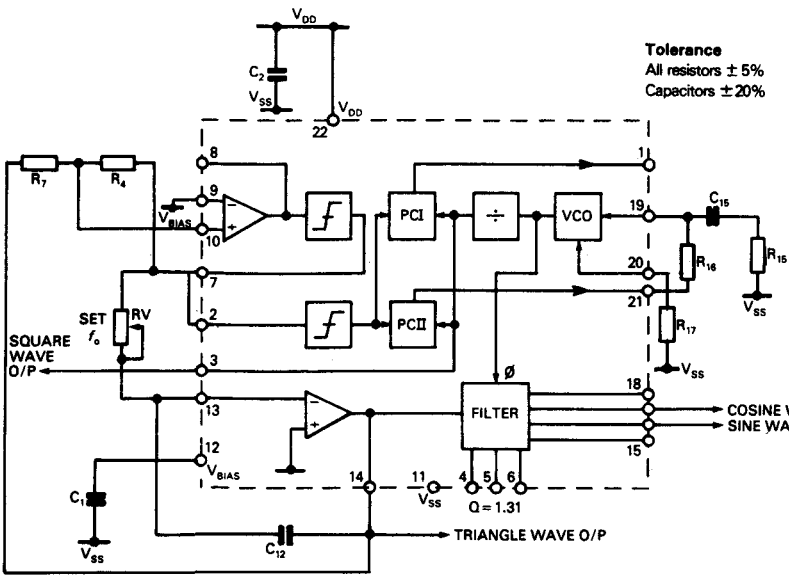
Care must be taken when using the FX406 with f_0 below 200Hz as the aliasing frequencies lie within the specified minimum passband of the filter.

On the highpass filter only, an additional lowpass response exists with its -3dB point at $7f_c$ and a roll-off of 20dB/decade.

Specific Application Notes



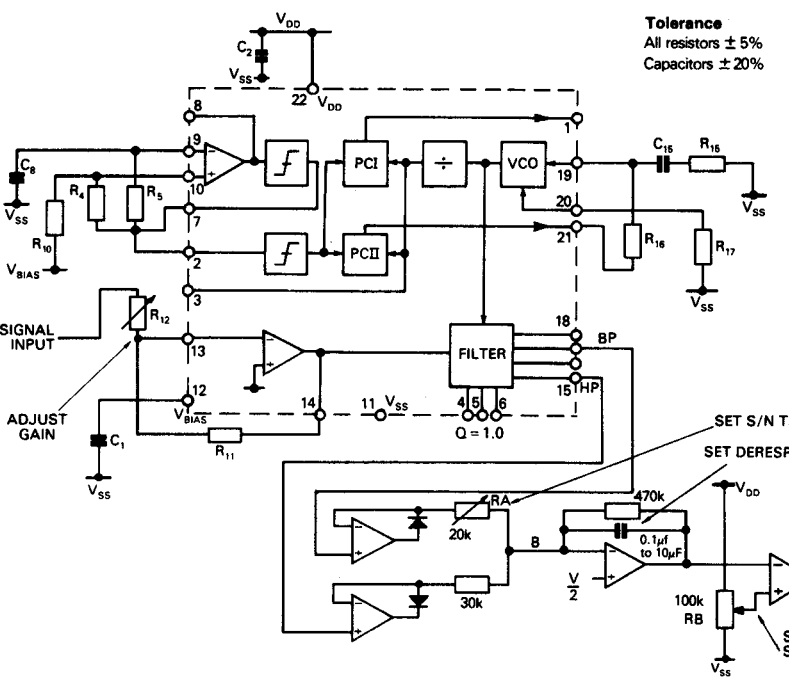
Specific Application Notes... continued



Component Tolerance
All resistors ± 5%
Capacitors ± 20%

Component References	
Component	Unit Value
R ₄	180k
R ₇	100k
R _{1,5}	13k
R _{1,6}	91k
R _{1,7}	1.8k
RV	1M
C _{1, 2}	1.0μ
C _{1,2}	4.7n
C _{1,5}	1.0μ

Fig. 14 Function Generator



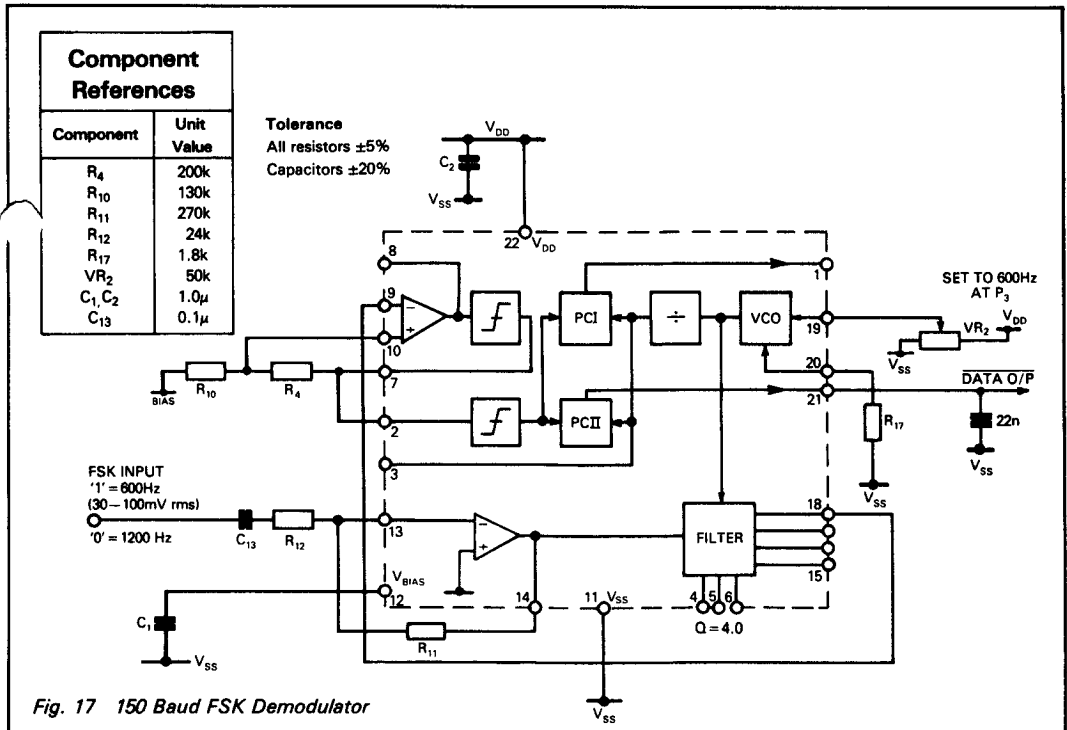
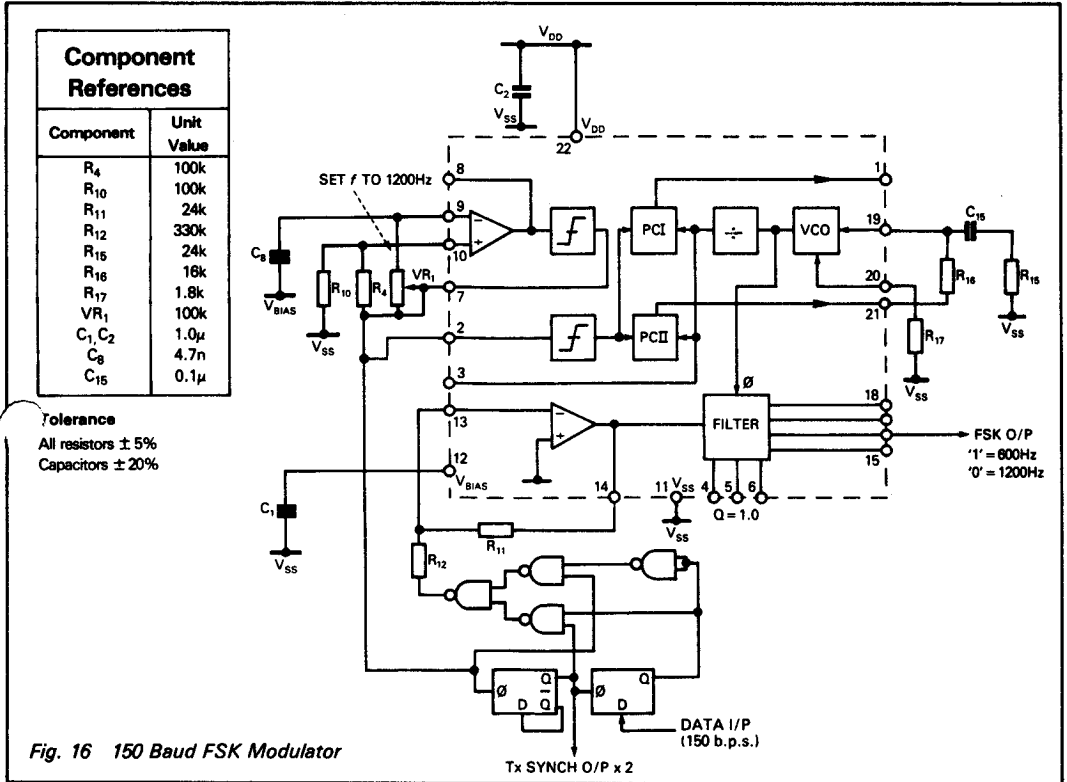
Component Tolerance
All resistors ± 5%
Capacitors ± 20%

Component References	
Component	Unit Value
R ₄	100k
R ₆	56k
R _{1,0}	100k
R _{1,1}	24k
R _{1,2}	30k
R _{1,5}	62k
R _{1,6}	200k
R _{1,7}	1.8k
C _{1, 2}	1.0μ
C ₆	10n
C _{1,5}	0.1μ

- NOTES:**
1. Adjust gain R₁₂ for largest filter output without clipping.
 2. Vary R₆ to give V_z at point B.
 3. Set R₉ for threshold.
 4. Set C₄ for de-response time.

Fig. 15 Voice Operated Switch

Specific Application Notes... continued



Package Outlines

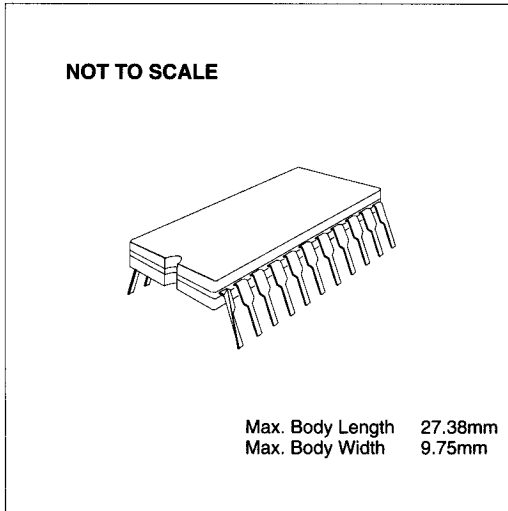
The FX406 is available in the package styles outlined below. Mechanical package diagrams and specifications are detailed in Section 10 of this document.

Pin 1 identification marking is shown on the relevant diagram and pins on all package styles number anti-clockwise when viewed from the top.

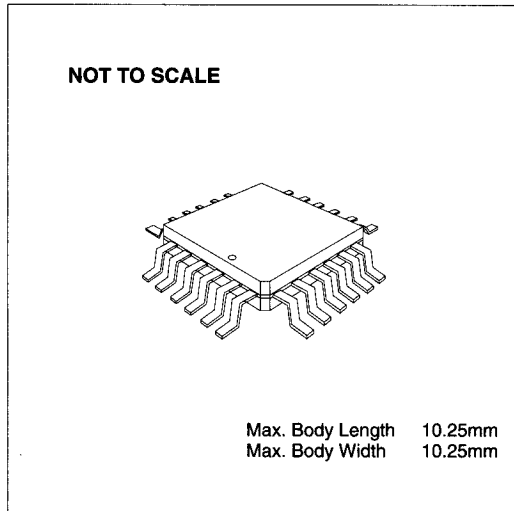
Handling Precautions

The FX406 is a CMOS LSI circuit which includes input protection. However precautions should be taken to prevent static discharges which may cause damage.

FX406J 22-pin cerdip DIL (J3)



FX406LG 24-pin quad plastic encapsulated bent and cropped (L1)



Ordering Information

FX406J 22-pin cerdip DIL (J3)

FX406LG 24-pin plastic encapsulated bent and cropped (L1)