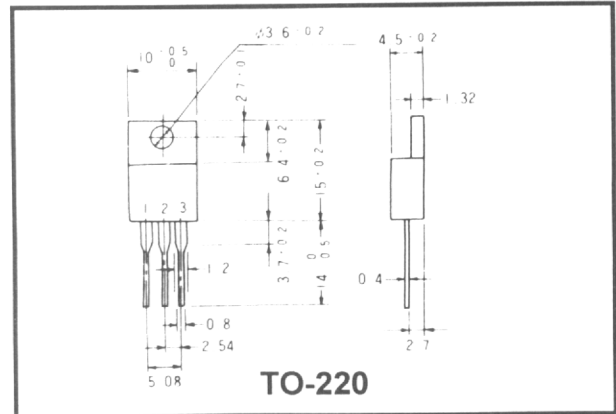


ESAC82-004K (15A)

SCHOTTKY BARRIER DIODE

Outline Drawing



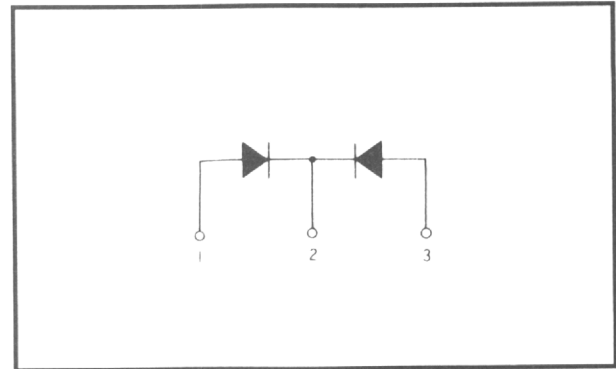
Features

- Low V_F
- Super high speed switching
- High reliability by planer design

Applications

- High speed power switching

Connection Diagram



Maximum Ratings & Characteristics

- Absolute Maximum Ratings

Items	Symbols	Conditions	Ratings	Units
Repetitive Peak Reverse Voltage	V_{RRM}		45	V
Non-Repetitive Peak Reverse Voltage	V_{RSM}	$t_w = 500\text{ns}$, duty = 1/40	48	V
Average Forward Current	I_O	$T_c = 90^\circ\text{C}$, duty 1/2, Square wave	15*	A
Surge Current	I_{FSM}	Sine Wave, 10ms	150	A
Operating Junction Temperature	T_J		-40 to +150	$^\circ\text{C}$
Storage Temperature	T_{stg}		-40 to +150	$^\circ\text{C}$

* Average forward current of center tap full wave connection

- Electrical Characteristics ($T_a = 25^\circ\text{C}$ Unless otherwise specified)

Items	Symbols	Conditions	Ratings	Units
Forward Voltage Drop	V_F	$I_F = 7.5\text{A}$	0.67	V
Reverse Current	I_R	$V_R = V_{RRM}$	1.0	mA
Thermal Resistance	$R_{th(j-c)}$	Junction to case	3.0	$^\circ\text{C/W}$

ESAC82-004K (15A)

