

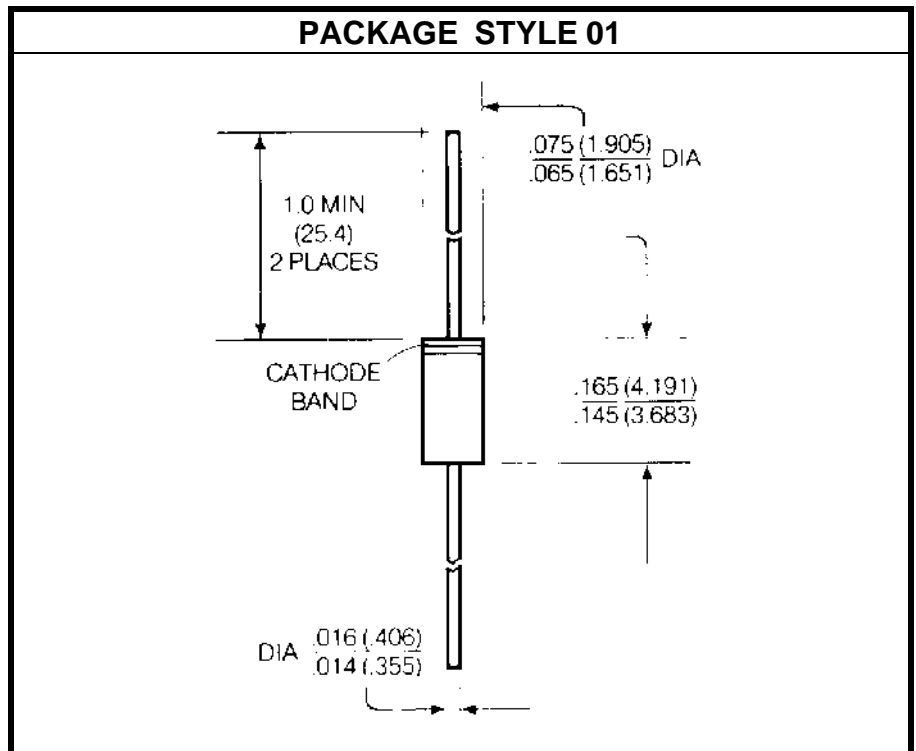
# SCHOTTKY BARRIER DIODE

## DESCRIPTION:

The **ASI 5082-2810** is a Silicon Small Signal Schottky Diode Designed for General Purpose UHF/VHF Detection and Pulse Applications. Color Band Indicates Cathode.

## MAXIMUM RATINGS

<b>I</b>	35 mA
<b>V</b>	20 V
<b>P<sub>DISS</sub></b>	250 mW @ T <sub>C</sub> = 25 °C
<b>T<sub>J</sub></b>	-65 °C to +200 °C
<b>T<sub>STG</sub></b>	-65 °C to +200 °C



## CHARACTERISTICS T<sub>C</sub> = 25 °C

SYMBOL	TEST CONDITIONS	MINIMUM	TYPICAL	MAXIMUM	UNITS
<b>V<sub>R</sub></b>	I <sub>R</sub> = 10 μA	20			<b>V</b>
<b>I<sub>R</sub></b>	V <sub>R</sub> = 15 V			100	<b>mA</b>
<b>V<sub>F</sub></b>	I <sub>F</sub> = 1.0 mA			410	<b>mV</b>
	I <sub>F</sub> = 35 mA			1.0	<b>V</b>
<b>C<sub>i</sub></b>	V <sub>R</sub> = 0 V			1.2	<b>pF</b>
<b>t</b>	I <sub>F</sub> = 20 mA			100	<b>pS</b>