

**SMC™ Adapter****V23867-Z9999-W9xx****Features**

- Single-mode and multimode applications
- 1-to-1/12-to-12 coding
- Optional metal EMI shield with small cutout/retaining clip
- Snap-in and/or screw mounting
- Both adapter halves riveted or welded
- Design allows adapter stackability

**Description**

The SMC adapter is part of the SMC optical connector family. It serves to connect mechanically two SMC connector plugs with up to 12 fibers applied for a variety of state-of-the-art and future optical network technologies.

Work is in progress to define a fiber optical connector intermateability standard (FOCIS, ref. no. SP-4834, to be TIA/EIA-604-14).

SMC™ is a trademark of Infineon Technologies

<b>Part Number</b>	<b>Comments</b>
V23867-Z9999-W9xx	Options on request

**Technical Data**

Parameter	Symbol	Limit Values			Unit
		min.	typ.	max.	
Attenuation (connector to connector)			≤ 0.15	0.75	dB
Durability/Matings				1000	times
Repeatability			≤ 0.2		dB
Latch Retention Force (coupling strength)			80		N
EMI Effective Cutout			7.5 x 3.5		mm
Operating Temperature		-40		+85	°C
Storage/Shipping Temperature		-40		+85	
Flammability Class		UL 94 V-0			
Physical Dimensions		see <b>Figure 1</b>			
Color		black or beige			

**Materials**

Part	Material
Housing	PPS
Retaining Clip	Stainless Steel
Rivet	DIN 7340 B3x0.25x4-Ms/nickel-plated

**Application Notes**

- SMC connector-adapter-connector configurations compliant to Bellcore GR-1435-CORE, IEC 60874-1 and EIA/TIA-455 FOTP requirements
- Reliable multiple-link and high-bandwidth in-rack, rack-to-rack and patch applications
- Small interface for direct attach harness, fan-out routing and trunk cable connections

Dimensions

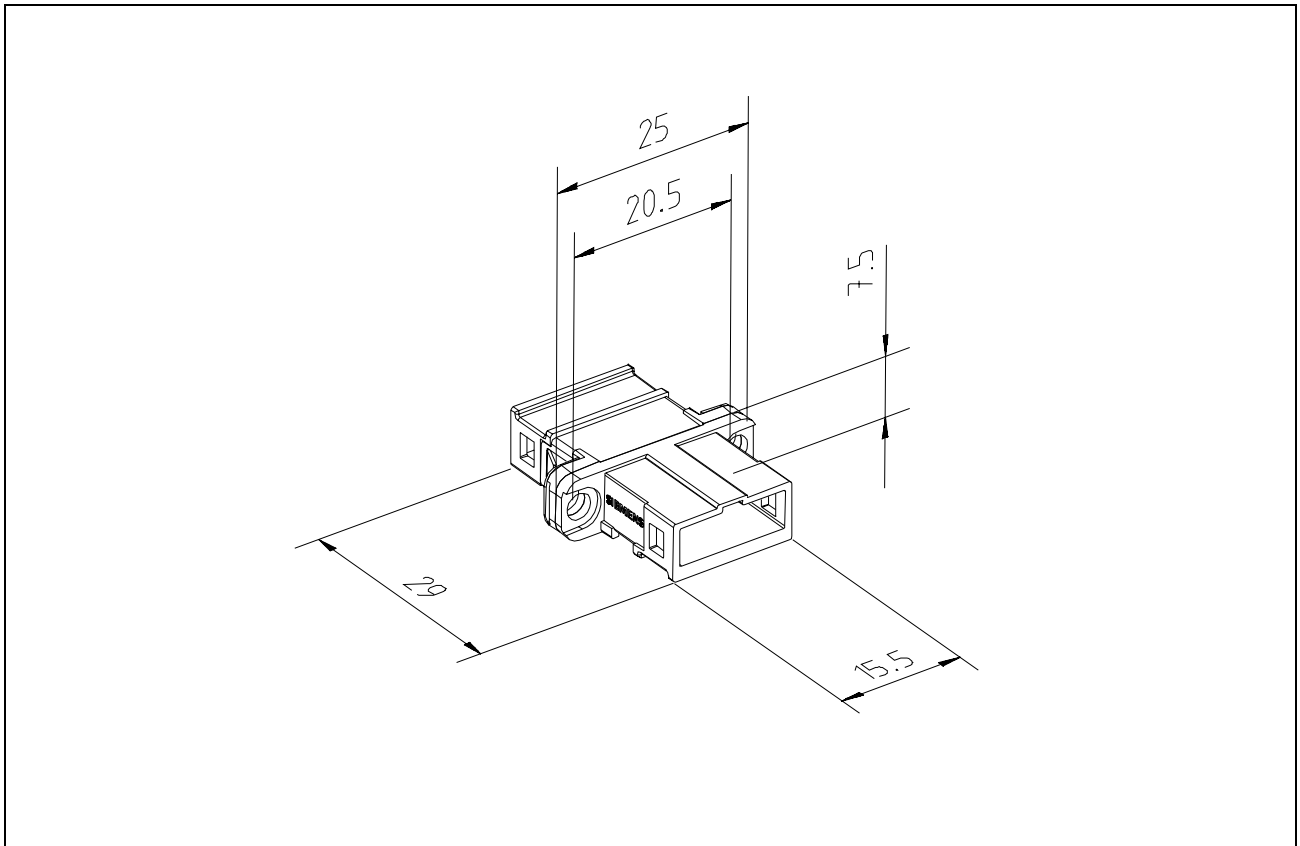


Figure 1



Previous Version:

<b>Page</b>	<b>Subjects (major changes since last revision)</b>
	Document's layout has been changed: 2002-Aug.

---

For questions on technology, delivery and prices please contact the Infineon Technologies Offices in Germany or the Infineon Technologies Companies and Representatives worldwide: see our webpage at <http://www.infineon.com>.

**Edition 2000-11-01**

**Published by Infineon Technologies AG,  
St.-Martin-Strasse 53,  
D-81541 München, Germany**

**© Infineon Technologies AG 2002.  
All Rights Reserved.**

**Attention please!**

The information herein is given to describe certain components and shall not be considered as warranted characteristics.

Terms of delivery and rights to technical change reserved.

We hereby disclaim any and all warranties, including but not limited to warranties of non-infringement, regarding circuits, descriptions and charts stated herein.

Infineon Technologies is an approved CECC manufacturer.

**Information**

For further information on technology, delivery terms and conditions and prices please contact your nearest Infineon Technologies Office in Germany or our Infineon Technologies Representatives worldwide.

**Warnings**

Due to technical requirements components may contain dangerous substances. For information on the types in question please contact your nearest Infineon Technologies Office.

Infineon Technologies Components may only be used in life-support devices or systems with the express written approval of Infineon Technologies, if a failure of such components can reasonably be expected to cause the failure of that life-support device or system, or to affect the safety or effectiveness of that device or system. Life-support devices or systems are intended to be implanted in the human body, or to support and/or maintain and sustain and/or protect human life. If they fail, it is reasonable to assume that the health of the user or other persons may be endangered.