

### Description

The  $\mu$ PD7527A,  $\mu$ PD7528A, and  $\mu$ PD75CG28E are 4-bit, single-chip CMOS microcomputers with the  $\mu$ PD7500 architecture and FIP direct-drive capability.

The  $\mu$ PD7527A contains a 2048 x 8-bit ROM and a 128 x 4-bit RAM. The  $\mu$ PD7528A contains a 4096 x 8-bit ROM and 160 x 4-bit RAM.

The  $\mu$ PD7527A/28A contains two 4-bit general purpose registers located outside RAM. The subroutine stack is implemented in RAM for greater depth and flexibility. The  $\mu$ PD7527A/28A typically executes 67 instructions with a 5  $\mu$ s instruction cycle time.

The  $\mu$ PD7527A/28A has one external and two internal edge-triggered hardware-vector interrupts. It also contains an 8-bit timer/event counter and an 8-bit serial interface to help reduce software requirements.

Thirty-one high-voltage lines are organized into the 3-bit output port 2, the 4-bit output ports 3, 8, and 9, and the 4-bit I/O ports 4, 5, 10, and 11.

The low power consumption CMOS process allows the use of a power supply between 2.7 and 6.0 V. Current consumption is less than 3.0 mA maximum, and can be further reduced in the halt and stop power-down modes.

The  $\mu$ PD75CG28E is a piggyback EPROM version of the  $\mu$ PD7527A/28A. Pin-compatible and function-compatible with the final, masked versions of the  $\mu$ PD7527A/28A, the  $\mu$ PD75CG28E is used for prototyping and for aiding in program development.

### Features

- 67 instructions
- Instruction cycle:
  - Internal clock: 3.3  $\mu$ s/600 kHz, 5 V
  - External clock: 3.3  $\mu$ s/600 kHz, 5 V
- Upwardly compatible with the  $\mu$ PD7500 series product family
- 4,096 x 8-bit ROM ( $\mu$ PD7528A/75CG28E)  
2,048 x 8-bit ROM ( $\mu$ PD7527A)
- 160 x 4-bit RAM ( $\mu$ PD7528A/75CG28E)  
128 x 4-bit RAM ( $\mu$ PD7527A)
- 35 I/O lines
- 31 high-voltage output lines that can directly drive a vacuum fluorescent display (FIP)
- Can select either a pull-down resistor or open-drain output per 31 high-voltage outputs (mask optional)

FIP is the registered trademark for NEC's fluorescent indicator panel (vacuum fluorescent display).

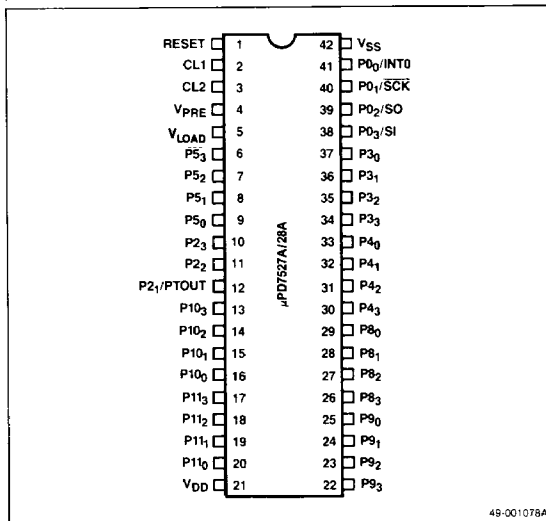
- Vectored interrupts: one external, two internal
- 8-bit timer/event counter
- 8-bit serial interface
- Standby function (HALT, STOP)
- Data retention mode
- Zero-cross detector on P0<sub>0</sub>/INT0 input (mask optional)
- System clock ( $\mu$ PD7527A/7528A/75CG28E): on-chip RC oscillator
- CMOS technology
- Low power consumption
- Single power supply
  - $\mu$ PD7527A/7528A: 2.7 to 6.0 V
  - $\mu$ PD75CG28E: 5.0 V

### Ordering Information

Part Number	Package Type	Max Frequency of Operation
$\mu$ PD7527AC / 28AC	42-pin plastic DIP	610 kHz
$\mu$ PD7527ACU / 28ACU	42-pin plastic shrink DIP	610 kHz
$\mu$ PD75CG28E	42-pin ceramic piggyback DIP	500 kHz

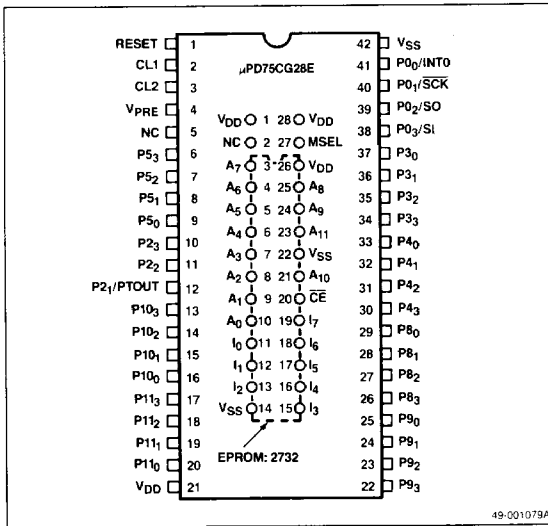
### Pin Configurations

#### $\mu$ PD7527A/28A, 42-Pin Plastic DIP or Shrink DIP



Pin Configurations (cont)

μPD75CG28E, 42-Pin Ceramic Piggyback DIP



Pin Identification

μPD7527A/28A and μPD75CG28E

No.	Symbol	Function
1	RESET	Reset input
2, 3	CL1, CL2	Clock pins
4	VPRE	High-voltage predriver supply
5	VLOAD	High-voltage option resistor supply 7527A / 28A only
6-9	P50-P53	High-voltage I / O port 5
10, 12	P23, P22 P21 / PTOUT	High-voltage output port 2, and output port from timer / event counter (PTOUT)
13-16	P100-P103	High-current, high-voltage I / O port 10
17-20	P110-P113	High-voltage, high-current I / O port 11
21	VDD	Positive power supply
22-25	P90-P93	High-voltage, high-current output port 9
26-29	P80-P83	High-voltage, high-current output port 8
30-33	P40-P43	High-voltage I / O port 4
34-37	P30-P33	High-voltage output port 3
38	P03 / SI	4-bit input of port 0; or serial data input
39	P02 / SO	(SI), serial data output (SO), serial clock
40	P01 / SCK	I / O (SCK), and external interrupt input
41	P00 / INTO	(INTO) or zero-cross detect input (P00).
42	VSS	Ground

μPD75CG28E EPROM

No.	Symbol	Function
1	VDD	Connection to pin 21 of μPD75CG28E
2	NC	No connection
3-10, 21, 24, 25	A0-A10	EPROM address output
11-13, 15-19	I0-I7	Data read input from the EPROM
14	VSS	Connection to EPROM GND pin
20	CE	Chip enable output
22	VSS	Supplies EPROM OE signal
23	A11	Program counter MSB output
26	VDD	Supplies VCC to the EPROM
27	MSEL	Mode select input
28	VDD	Supplies high-level signal to MSEL

Note:

- (1) Output drivers on ports 2-5 and 8-11 are mask-optional. Accordingly, either an open-drain output or a pull-down resistor can be selected. VLOAD is suitable for an output driver with a pull-down resistor.
- (2) Ports 2-5 are suitable as FIP segment signal outputs, and ports 8-11 are suitable for FIP digit signal outputs.
- (3) Ports 8-11 have high-current drive capability and can drive an LED directly.

Pin Functions, μPD7527A/28A and μPD75CG28E

RESET

System reset (input).

CL1, CL2

Connection to the RC oscillator. CL1 is the external clock input.

VPRE

Negative power supply for high-voltage output pre-drivers (for ports 2-5, 8-11).

VLOAD

Negative power supply for optional load resistors (pull-down resistors) of high-voltage output drivers (for ports 2-5, 8-11). This pin is only on the μPD7527A/28A.

P53-P50

4-bit, high-voltage I/O port 5.

P21-P23

3-bit, high-voltage output port 2.

## PTOUT

Output port from the timer/event counter.

## P10<sub>3</sub>–P10<sub>0</sub>

4-bit, high-voltage, high-current I/O port 10. Capable of bit set/reset by SPBL/RPBL instructions.

## P11<sub>3</sub>–P11<sub>0</sub>

4-bit, high-voltage, high-current I/O port 11. Capable of bit set/reset by SPBL/RPBL instructions.

## V<sub>DD</sub>

Positive power supply.

## P9<sub>3</sub>–P9<sub>0</sub>

4-bit, high-voltage, high-current output port 9. Capable of bit set/reset by SPBL/RPBL instructions.

## P8<sub>3</sub>–P8<sub>0</sub>

4-bit, high-voltage, high-current output port 8. Capable of bit set/reset by SPBL/RPBL instructions.

## P4<sub>3</sub>–P4<sub>0</sub>

4-bit, high-voltage I/O port 4.

## P3<sub>3</sub>–P3<sub>0</sub>

4-bit, high-voltage output port 3.

## P0<sub>0</sub>–P0<sub>3</sub>

4-bit input port 0. P0<sub>0</sub> is also used as the zero-cross detection input.

## SI

Serial data input.

## SO

Serial data output.

## SCK

I/O serial clock.

## INT0

External interrupt input.

## V<sub>SS</sub>

Ground.

## Pin Functions, μPD75CG28E EPROM

### MSEL

Changes the addressing area of the external EPROM and the on-chip RAM (with a pull-down resistor). Connecting a jumper between socket pins 27 (MSEL) and 28 (V<sub>DD</sub>) selects μPD7527A mode (2-Kbyte EPROM, 128 × 4-bit RAM). Leaving MSEL open selects μPD7528A mode (4-Kbyte EPROM, 160 × 4-bit RAM).

### A<sub>0</sub>–A<sub>10</sub>

Output the low-order 11 bits of the program counter (PC<sub>0</sub>–PC<sub>10</sub>). Used as EPROM address signals.

### A<sub>11</sub>

When MSEL is high level, A<sub>11</sub> outputs high-level signals. When MSEL is open, A<sub>11</sub> outputs the MSB of the PC, which is used as the most significant address signal of the 4-Kbyte EPROM 2732.

### I<sub>0</sub>–I<sub>7</sub>

Input data read from the EPROM.

### CE

Outputs the chip enable signal to the EPROM.

### V<sub>DD</sub>

Pin 26 is electrically equivalent to the bottom V<sub>DD</sub> pin and is used to supply V<sub>CC</sub> to the EPROM. Pin 28 is electrically equivalent to the bottom V<sub>DD</sub> pin and is used to supply the high level signal to MSEL. Pin 1 connects to pin 21 of μPD75CG28E.

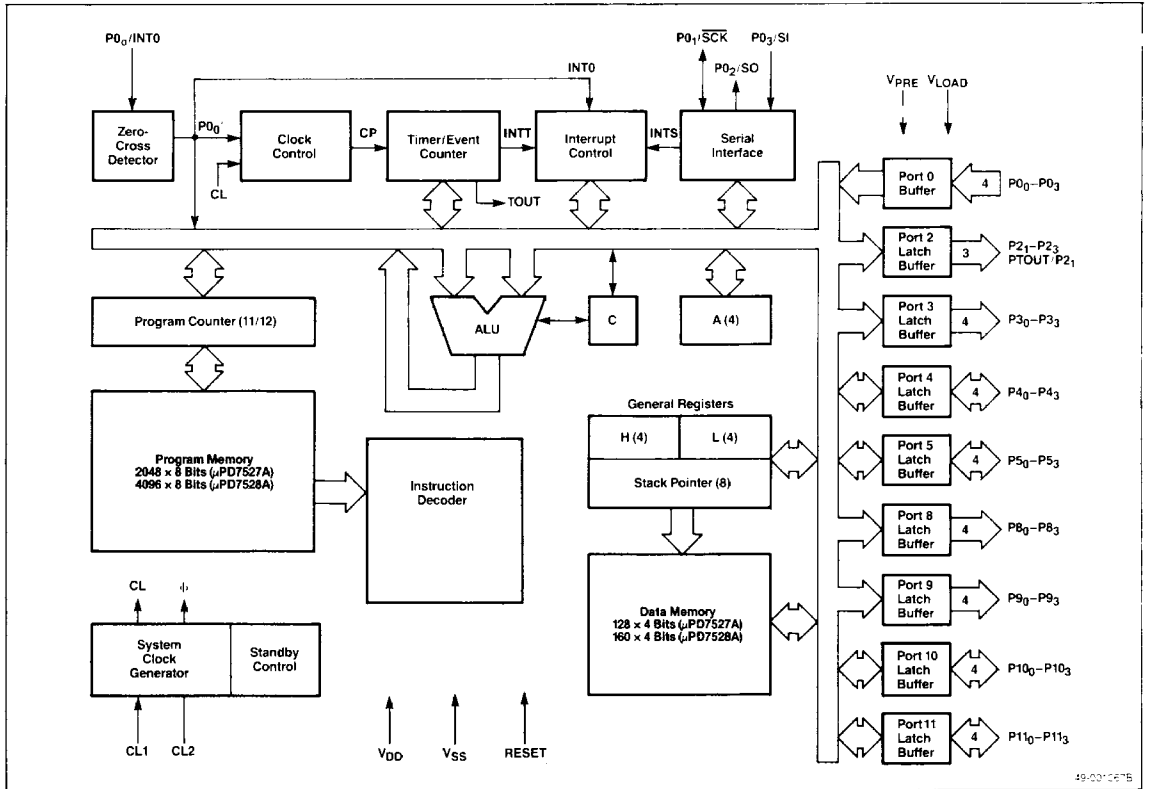
### V<sub>SS</sub>

Pin 14 is electrically equivalent to the bottom V<sub>SS</sub> pin in voltage, and is connected to the EPROM GND pin. Pin 22 is electrically equivalent to the bottom V<sub>SS</sub> pin and is used to supply the OE signal to the EPROM.

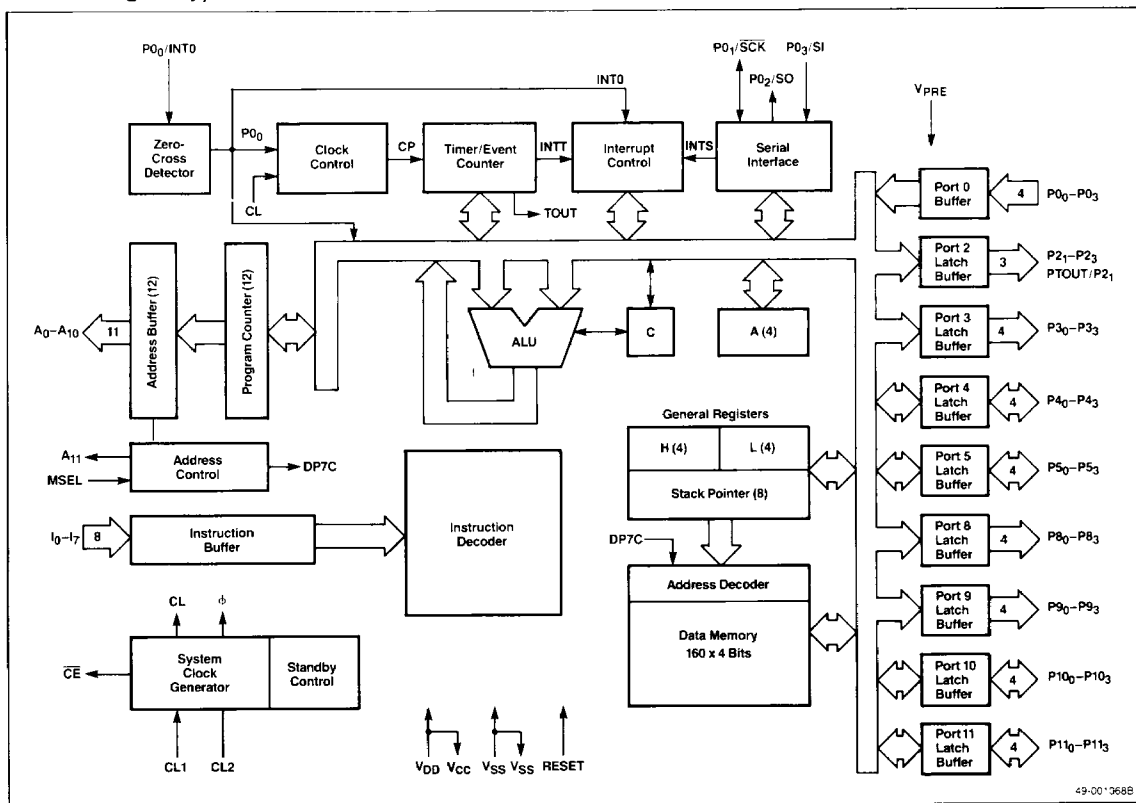
### Instruction Set

Refer to the User's Manual. The instruction set appears also as subset A4 in the data sheet for the μPD7500 series of single-chip microcomputers.

Block Diagram, μPD7527A/28A



## Block Diagram, μPD75CG28E



3

## Absolute Maximum Ratings

T<sub>A</sub> = 25°C

Power supply voltage, V <sub>DD</sub>	-0.3 to +7 V
Power supply voltage, V <sub>LOAD</sub> (μPD7527A / 28A)	V <sub>DD</sub> - 40 V to V <sub>DD</sub> + 0.3 V
Power supply voltage, V <sub>PRE</sub>	V <sub>DD</sub> - 12 V to V <sub>DD</sub> + 0.3 V
Input voltage, except ports 4, 5, 10, 11, V <sub>IN</sub>	-0.3 V to V <sub>DD</sub> + 0.3 V
Input voltage, ports 4, 5, 10, 11, V <sub>IN</sub>	V <sub>DD</sub> - 40 V to V <sub>DD</sub> + 0.3 V
Output voltage, except ports 2-5, 8-11, V <sub>O</sub>	-0.3 V to V <sub>DD</sub> + 0.3 V
Output voltage, ports 2-5, 8-11, V <sub>O</sub>	V <sub>DD</sub> - 40 V to V <sub>DD</sub> + 0.3 V
Output current high, per pin: P0 <sub>1</sub> , P0 <sub>2</sub> ; I <sub>OH</sub>	-15 mA
Output current high, per pin: ports 2-5, 8-11; I <sub>OH</sub>	-30 mA

Output current high, ports 3, 4, 8, 9 total, I <sub>OH</sub>	-55 mA
Output current high, ports 2, 5, 10, 11 total, I <sub>OH</sub>	-55 mA
Output current low, per pin, I <sub>OL</sub>	15 mA
Output current low, all ports total, I <sub>OL</sub>	15 mA
Operating temperature, T <sub>OP</sub> T	-10°C to +70°C
Storage temperature, T <sub>STG</sub>	-65°C to +150°C

**Comment:** Exposing the device to stresses above those listed in Absolute Maximum Ratings could cause permanent damage. The device is not meant to be operated under conditions outside the limits described in the operational sections of the specification. Exposure to absolute maximum rating conditions for extended periods may affect device reliability.

**DC Characteristics**

**μPD7527A/28A**

T<sub>A</sub> = -10°C to +70°C, V<sub>DD</sub> = +2.7 V to 6.0 V

Parameter	Symbol	Limits			Unit	Test Conditions
		Min	Typ	Max		
Input voltage, low	V <sub>IL1</sub>	0		0.3 V <sub>DD</sub>	V	Port 0, RESET
	V <sub>IL2</sub>	0		0.5	V	CL1
	V <sub>IL3</sub>	V <sub>DD</sub> - 35		0.3 V <sub>DD</sub>	V	Ports 4, 5, 10, 11
Input voltage, high	V <sub>IH1</sub>	0.7 V <sub>DD</sub>		V <sub>DD</sub>	V	Port 0, RESET
	V <sub>IH2</sub>	V <sub>DD</sub> - 0.5		V <sub>DD</sub>	V	CL1
	V <sub>IH3</sub>	0.7 V <sub>DD</sub>		V <sub>DD</sub>	V	Ports 4, 5, 10, 11; 4.5 V ≤ V <sub>DD</sub> ≤ 6.0 V
Output voltage, low	V <sub>OL</sub>			0.4	V	P0 <sub>1</sub> , P0 <sub>2</sub> ; 4.5 V ≤ V <sub>DD</sub> ≤ 6.0 V; I <sub>OL</sub> = 1.6 mA
				0.5	V	P0 <sub>1</sub> , P0 <sub>2</sub> ; I <sub>OL</sub> = 400 μA
Output voltage, high	V <sub>OH</sub>	V <sub>DD</sub> - 2.0			V	Ports 2-5, I <sub>OH</sub> = -4 mA (Note 1)
		V <sub>DD</sub> - 2.0			V	Ports 8-11, I <sub>OH</sub> = -10 mA (Note 1)
		V <sub>DD</sub> - 2.0			V	Ports 2-5, I <sub>OH</sub> = -2 mA (Note 2)
		V <sub>DD</sub> - 2.0			V	Ports 8-11, I <sub>OH</sub> = -5 mA (Note 2)
		V <sub>DD</sub> - 1.0			V	P0 <sub>1</sub> , P0 <sub>2</sub> ; I <sub>OH</sub> = -1 mA (Note 3)
		V <sub>DD</sub> - 0.5			V	P0 <sub>1</sub> , P0 <sub>2</sub> ; I <sub>OH</sub> = -100 μA
Input leakage current, low	I <sub>LIL1</sub>			-3	μA	V <sub>IN</sub> = 0 V; P0 <sub>0</sub> -P0 <sub>3</sub> (Note 4)
	I <sub>LIL2</sub>			-40	μA	V <sub>IN</sub> = 0 V; P0 <sub>0</sub> (Note 5)
	I <sub>LIL3</sub>			-10	μA	V <sub>IN</sub> = 0 V; CL1
	I <sub>LIL4</sub>			-10	μA	V <sub>IN</sub> = V <sub>DD</sub> - 35 V; ports 4, 5, 10, 11
Input leakage current, high	I <sub>LIH1</sub>			3	μA	V <sub>IN</sub> = V <sub>DD</sub> ; P0 <sub>0</sub> -P0 <sub>3</sub> (Note 4)
	I <sub>LIH2</sub>			40	μA	V <sub>IN</sub> = V <sub>DD</sub> ; P0 <sub>0</sub> (Note 5)
	I <sub>LIH3</sub>			10	μA	V <sub>IN</sub> = V <sub>DD</sub> ; CL1
	I <sub>LIH4</sub>			80	μA	V <sub>IN</sub> = V <sub>DD</sub> ; ports 4, 5, 10, 11

Parameter	Symbol	Limits			Unit	Test Conditions
		Min	Typ	Max		
Output leakage current, low	I <sub>LOL1</sub>			-3	μA	V <sub>O</sub> = 0 V; P0 <sub>1</sub> , P0 <sub>2</sub>
	I <sub>LOL2</sub>			-10	μA	V <sub>O</sub> = V <sub>DD</sub> - 35 V; ports 2-5, 8-11
Output leakage current, high	I <sub>LOH1</sub>			3	μA	V <sub>O</sub> = V <sub>DD</sub> ; except ports 4, 5, 10, 11
	I <sub>LOH2</sub>			80	μA	V <sub>O</sub> = V <sub>DD</sub> ; ports 4, 5, 10, 11
Supply current, normal operation	I <sub>DD1</sub>		1.0	3.0	mA	V <sub>DD</sub> = 5 V ± 10%, R = 39 kΩ
			0.4	1.0	mA	V <sub>DD</sub> = 3 V, R = 82 kΩ
Supply current, HALT mode (Note 6)	I <sub>DD2</sub>		200	600	μA	V <sub>DD</sub> = 5 V ± 10%, R = 39 kΩ (Note 4)
			60	200	μA	V <sub>DD</sub> = 3 V, R = 82 kΩ (Note 4)
			210	640	μA	V <sub>DD</sub> = 5 V ± 10%, R = 39 kΩ (Note 5)
			67	230	μA	V <sub>DD</sub> = 3 V, R = 82 kΩ (Note 5)
Supply current, STOP mode (Note 6)	I <sub>DD3</sub>		0.1	10	μA	V <sub>DD</sub> = 3 V (Note 4)
			10	40	μA	V <sub>DD</sub> = 5 V ± 10% (Note 5)
			7	30	μA	V <sub>DD</sub> = 3 V (Note 5)
On-chip pull-down resistance	R <sub>L</sub>	80	140	220	kΩ	V <sub>DD</sub> - V <sub>LOAD</sub> = 35 V

**Note:**

- (1) V<sub>PRE</sub> = V<sub>DD</sub> - 9 V ± 1 V. The circuit in figure 5 is recommended.
- (2) V<sub>PRE</sub> = 0 V, V<sub>DD</sub> = 4.5 V to 6.0 V.
- (3) V<sub>DD</sub> = 4.5 V to 6.0 V.
- (4) Without zero-cross detector.
- (5) With zero-cross detector.
- (6) Ports 4, 5, 10, 11 are low level output or low level input.

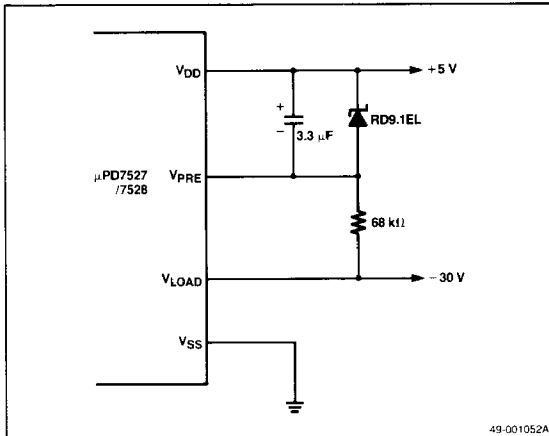
## DC Characteristics (cont)

### μPD75CG28E

$T_A = -10^\circ\text{C}$  to  $+70^\circ\text{C}$ ,  $V_{DD} = +5\text{V} \pm 10\%$

Parameter	Symbol	Limits			Unit	Test Conditions
		Min	Typ	Max		
Input voltage, low	$V_{IL1}$	0		$0.3 V_{DD}$	V	Port 0, RESET
	$V_{IL2}$	0		0.5	V	CL1
	$V_{IL3}$	$V_{DD} - 35$		$0.3 V_{DD}$	V	Ports 4, 5, 10, 11
Input voltage, high	$V_{IH1}$	$0.7 V_{DD}$		$V_{DD}$	V	Port 0, RESET
	$V_{IH2}$	$V_{DD} - 0.5$		$V_{DD}$	V	CL1
	$V_{IH3}$	$0.7 V_{DD}$		$V_{DD}$	V	Ports 4, 5, 10, 11
Output voltage, low	$V_{OL}$			0.4	V	$P0_1, P0_2$ ; $I_{OL} = 1.6\text{ mA}$
				0.5	V	$P0_1, P0_2$ ; $I_{OL} = 400\ \mu\text{A}$
Output voltage, high	$V_{OH}$	$V_{DD} - 2.0$			V	Ports 2-5, $I_{OH} = -4\text{ mA}$ (1)
		$V_{DD} - 2.0$			V	Ports 8-11, $I_{OH} = -10\text{ mA}$ (1)
		$V_{DD} - 2.0$			V	Ports 2-5, $I_{OH} = -2\text{ mA}$ (2)
		$V_{DD} - 2.0$			V	Ports 8-11, $I_{OH} = -5\text{ mA}$ (2)
Input current, low ( $I_{O-17}$ )	$I_{IL}$			-200	$\mu\text{A}$	$V_{IN} = 0\text{ V}$
				300	$\mu\text{A}$	$V_{IN} = V_{DD}$

Figure 1. Recommended Circuit, μPD7527A/7528A

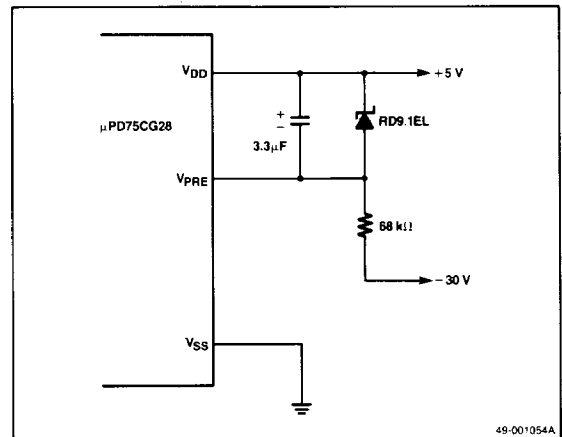


Parameter	Symbol	Limits			Unit	Test Conditions
		Min	Typ	Max		
Input leakage current, low	$I_{LIL1}$			-3	$\mu\text{A}$	$V_{IN} = 0\text{ V}$ ; $P0_0 - P0_3$
	$I_{LIL2}$			-40	$\mu\text{A}$	$V_{IN} = 0\text{ V}$ ; $P0_0$
	$I_{LIL3}$			-10	$\mu\text{A}$	$V_{IN} = 0\text{ V}$ ; CL1
	$I_{LIL4}$			-10	$\mu\text{A}$	$V_{IN} = V_{DD} - 35\text{ V}$ ; ports 4, 5, 10, 11
Input leakage current, high	$I_{LIH1}$			3	$\mu\text{A}$	$V_{IN} = V_{DD}$ ; $P0_0 - P0_3$
	$I_{LIH2}$			40	$\mu\text{A}$	$V_{IN} = V_{DD}$ ; $P0_0$
	$I_{LIH3}$			10	$\mu\text{A}$	$V_{IN} = V_{DD}$ ; CL1
	$I_{LIH4}$			80	$\mu\text{A}$	$V_{IN} = V_{DD}$ ; ports 4, 5, 10, 11
Output leakage current, low	$I_{LOL1}$			-3	$\mu\text{A}$	$V_O = 0\text{ V}$ ; $P0_1, P0_2$
	$I_{LOL2}$			-10	$\mu\text{A}$	$V_O = V_{DD} - 35\text{ V}$ ; ports 2-5, 8-11
Output leakage current, high	$I_{LOH1}$			3	$\mu\text{A}$	$V_O = V_{DD}$ ; except ports 4, 5, 10, 11
	$I_{LOH2}$			80	$\mu\text{A}$	$V_O = V_{DD}$ ; ports 4, 5, 10, 11
Supply current, normal operation	$I_{DD1}$		1.0	3.0	mA	$R = 39\text{ k}\Omega$
Supply current, HALT mode(3)	$I_{DD2}$		210	630	$\mu\text{A}$	$R = 39\text{ k}\Omega$
Supply current, STOP mode(3)	$I_{DD3}$		10	50	$\mu\text{A}$	

**Note:**

- (1)  $V_{PRE} = V_{DD} - 9\text{ V} + 1\text{ V}$ . The circuit in figure 6 is recommended.
- (2)  $V_{PRE} = 0\text{ V}$
- (3) Ports 4, 5, 10, 11 are output off or low input.

Figure 2. Recommended Circuit, μPD75CG28E



3

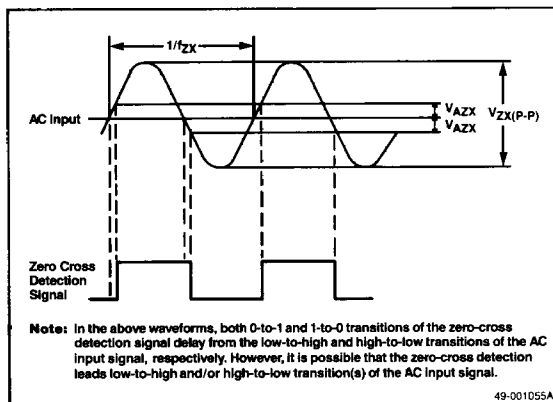
### Zero-Cross Detection Characteristics

μPD7527A/28A:  $T_A = -10^\circ\text{C}$  to  $+70^\circ\text{C}$ ,  $V_{DD} = 4.5\text{ V}$  to  $6.0\text{ V}$

μPD75CG28E:  $T_A = -10^\circ\text{C}$  to  $+70^\circ\text{C}$ ,  $V_{DD} = +5\text{ V} \pm 10\%$

Parameter	Symbol	Limits			Unit	Test Conditions
		Min	Typ	Max		
Zero-cross detection input voltage	$V_{ZX(P-P)}$	1		3	$V_{P-P}$	AC coupled, $C = 0.1\ \mu\text{F}$
Zero-cross accuracy	$V_{AZX}$			$\pm 100$	mV	50 Hz to 60 Hz sine wave
Zero-cross detection input frequency	$f_{ZX}$	45		1000	Hz	

### Zero-Cross Detection Waveform



### Capacitance

$T_A = 25^\circ\text{C}$ ,  $V_{DD} = 0\text{ V}$ ,  $f = 1.0\text{ MHz}$ , Unmeasured pins returned to GND

Parameter	Symbol	Limits			Unit	Test Conditions
		Min	Typ	Max		
Input capacitance	$C_I$			15	pF	$PO_0, PO_3$
Output capacitance	$C_O$			15	pF	Port 2
				35	pF	Ports 3, 8, 9
I/O capacitance	$C_{IO}$			15	pF	$PO_1, PO_2$
				35	pF	Ports 4, 5, 10, 11

### AC Characteristics

μPD7527A/28A

$T_A = -10^\circ\text{C}$  to  $+70^\circ\text{C}$ ,  $V_{DD} = +2.7\text{ V}$  to  $6.0\text{ V}$

Parameter	Symbol	Limits			Unit	Test Conditions
		Min	Typ	Max		
Cycle time (Note 1)	$t_{CY}$	3.3		200	$\mu\text{s}$	$V_{DD} = 4.5\text{ V}$ to $6.0\text{ V}$
		6.9		200	$\mu\text{s}$	
$PO_0$ event input frequency	$f_{PO}$	0		610	kHz	$V_{DD} = 4.5\text{ V}$ to $6.0\text{ V}$
		0		290	kHz	
$PO_0$ input rise time	$t_{POR}$			0.1	$\mu\text{s}$	
$PO_0$ input fall time	$t_{POF}$			0.1	$\mu\text{s}$	
$PO_0$ input pulse width, low	$t_{POL}$	1.63			$\mu\text{s}$	
$PO_0$ input pulse width, high	$t_{POH}$	0.72			$\mu\text{s}$	$V_{DD} = 4.5\text{ V}$ to $6.0\text{ V}$
SCK cycle time	$t_{KCY}$	3.0			$\mu\text{s}$	Input; $V_{DD} = 4.5\text{ V}$ to $6.0\text{ V}$
		3.3			$\mu\text{s}$	Output; $V_{DD} = 4.5\text{ V}$ to $6.0\text{ V}$
		6.9			$\mu\text{s}$	Input
		8.0			$\mu\text{s}$	Output
		1.55			$\mu\text{s}$	Output; $V_{DD} = 4.5\text{ V}$ to $6.0\text{ V}$
SCK pulse width, low	$t_{KL}$	3.35			$\mu\text{s}$	Input
		3.9			$\mu\text{s}$	Output
SCK pulse width, high	$t_{KH}$	1.4			$\mu\text{s}$	Input; $V_{DD} = 4.5\text{ V}$ to $6.0\text{ V}$
		1.55			$\mu\text{s}$	Output; $V_{DD} = 4.5\text{ V}$ to $6.0\text{ V}$
SI set-up time (to rising-edge of SCK)	$t_{SIK}$	300			ns	
SI hold time (after rising-edge of SCK)	$t_{KSI}$	450			ns	
SO output delay time (after falling-edge of SCK)	$t_{KSO}$			850	ns	$V_{DD} = 4.5\text{ V}$ to $6.0\text{ V}$
				1200	ns	
INTO pulse width, high, low	$t_{IOH}, t_{IOL}$	10			$\mu\text{s}$	
RESET pulse width, high, low	$t_{RSH}, t_{RSL}$	10			$\mu\text{s}$	



## AC Characteristics (cont)

### μPD75CG28E

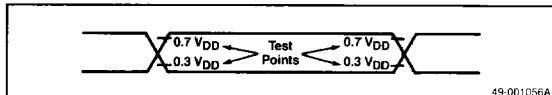
$T_A = -10^\circ\text{C}$  to  $+70^\circ\text{C}$ ,  $V_{DD} = +5\text{V} \pm 10\%$

Parameter	Symbol	Limits			Unit	Test Conditions
		Min	Typ	Max		
Cycle time (Note 1)	$t_{CY}$	4.0		200		$\mu\text{s}$
$PO_0$ event input frequency	$f_{PO}$	0		500		$\text{kHz}$
$PO_0$ input rise time	$t_{POR}$			0.2		$\mu\text{s}$
$PO_0$ input fall time	$t_{POF}$			0.2		$\mu\text{s}$
$PO_0$ input pulse width, high, low	$t_{POH}$	0.8				$\mu\text{s}$
	$t_{POL}$					
SCK cycle time	$t_{KCY}$	3.0			$\mu\text{s}$	Input
		4.0			$\mu\text{s}$	Output
SCK pulse width, low	$t_{KL}$	1.8			$\mu\text{s}$	Output
SCK pulse width, high	$t_{KH}$	1.3			$\mu\text{s}$	Input
SI set-up time (to rising-edge of SCK)	$t_{SIK}$	300			ns	
SI hold time (after rising-edge of SCK)	$t_{KSI}$	450			ns	
SO output delay time (after falling-edge of SCK)	$t_{KSO}$			850	ns	
INT0 pulse width, high, low	$t_{IOH}$	10			$\mu\text{s}$	
	$t_{IOL}$					
RESET pulse width, high, low	$t_{RSH}$	10			$\mu\text{s}$	
	$t_{RSL}$					
Data input delay time from address	$t_{ACC}$			700	ns	
Data input delay time from $\overline{CE}$	$t_{CE}$			700	ns	
Input hold time after address	$t_{IH}$	0			ns	

### Note:

(1)  $t_{CY} = 2/t_{CC}$  or  $2/t_C$

## AC Waveform Measurement Points (Except CL1)



## Oscillation Characteristics

### μPD7527A/28A

$T_A = -10^\circ\text{C}$  to  $+70^\circ\text{C}$ ,  $V_{DD} = 2.7\text{V}$  to  $6.0\text{V}$

Parameter	Symbol	Limits			Unit	Conditions
		Min	Typ	Max		
System clock oscillation frequency (Note 1)	$f_{CC}$	300	400	500	$\text{kHz}$	$R = 39\text{ k}\Omega \pm 2\%$ $V_{DD} = 4.5\text{V}$ to $6.0\text{V}$
		150	200	250	$\text{kHz}$	$R = 82\text{ k}\Omega \pm 2\%$
System clock CL1 input frequency (Note 2)	$f_C$	10	610		$\text{kHz}$	$V_{DD} = 4.5\text{V}$ to $6.0\text{V}$
		10	290		$\text{kHz}$	
CL1 input rise time (Note 2)	$t_{CR}$			0.1	$\mu\text{s}$	
CL1 input fall time (Note 2)	$t_{CF}$			0.1	$\mu\text{s}$	
CL1 input pulse width, low (Note 2)	$t_{CL}$	0.7		50	$\mu\text{s}$	
CL1 input pulse width, high (Note 2)	$t_{CH}$	1.63		50	$\mu\text{s}$	$V_{DD} = 4.5\text{V}$ to $6.0\text{V}$

### μPD75CG28E

$T_A = -10^\circ\text{C}$  to  $+70^\circ\text{C}$ ,  $V_{DD} = 5\text{V} \pm 10\%$

Parameter	Symbol	Limits			Unit	Test Conditions
		Min	Typ	Max		
System clock oscillation frequency (Note 1)	$f_{CC}$	300	400	500	$\text{kHz}$	$R = 39\text{ k}\Omega \pm 2\%$
		110	150	190	$\text{kHz}$	$R = 110\text{ k}\Omega \pm 2\%$
System clock CL1 input frequency (Note 2)	$f_C$	10		500	$\text{kHz}$	
CL1 input rise time (Note 2)	$t_{CR}$			0.2	$\mu\text{s}$	
CL1 input fall time (Note 2)	$t_{CF}$			0.2	$\mu\text{s}$	
CL1 input pulse width, high, low	$t_{CH}$ , $t_{CL}$	0.8		50	$\mu\text{s}$	

### Note:

(1) R, C (see figure 3). (2) External clock (see figure 4).

**Figure 3. Recommended RC Oscillator Circuit**

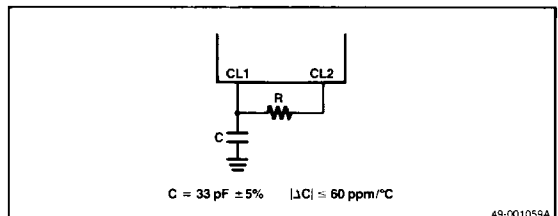
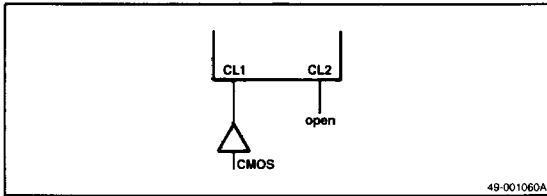


Figure 4. Recommended External Clock Circuit



**Stop Mode Low Voltage Data Retention Characteristics**

μPD7527A/28A  
 T<sub>A</sub> = -10°C to +70°C

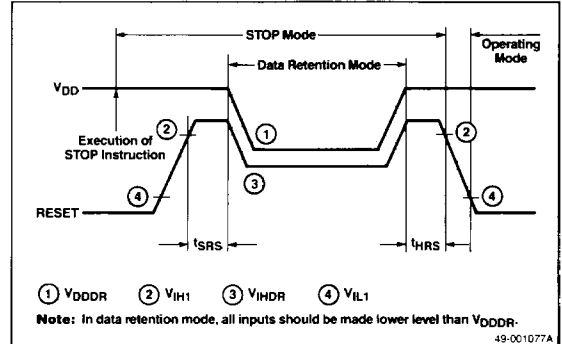
Parameter	Symbol	Limits			Unit	Test Conditions
		Min	Typ	Max		
Data retention supply voltage	V <sub>DDDR</sub>	2.0		6.0	V	
Data retention supply current	I <sub>DDDR</sub>		0.3	10	μA	V <sub>DDDR</sub> = 2V (Note 1)
			7	30	μA	V <sub>DDDR</sub> = 2V (Note 2)
Data retention RESET input voltage high	V <sub>IHDR</sub>	0.9V <sub>DDDR</sub>		V <sub>DDDR</sub> + 0.2	V	
RESET set-up time	t <sub>SRS</sub>	0			μs	
RESET hold time	t <sub>HRS</sub>	0			μs	

μPD75CG28E  
 T<sub>A</sub> = -10°C to +70°C

Parameter	Symbol	Limits			Unit	Test Conditions
		Min	Typ	Max		
Data retention supply voltage	V <sub>DDDR</sub>	2.0		5.5	V	
Data retention supply current	I <sub>DDDR</sub>		7	30	μA	V <sub>DDDR</sub> = 2V
Data retention RESET input voltage high	V <sub>IHDR</sub>	0.9V <sub>DDDR</sub>		V <sub>DDDR</sub> + 0.2	V	
RESET set-up time	t <sub>SRS</sub>	0			μs	
RESET hold time	t <sub>HRS</sub>	0			μs	

**Note:**  
 (1) Without zero-cross detector  
 (2) With zero-cross detector

**Data Retention Mode Timing**

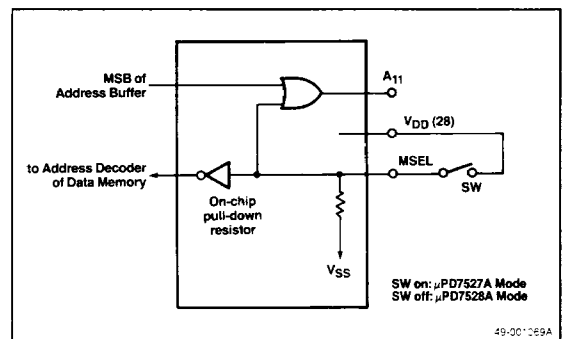


**μPD75CG28E EPROM Interface**

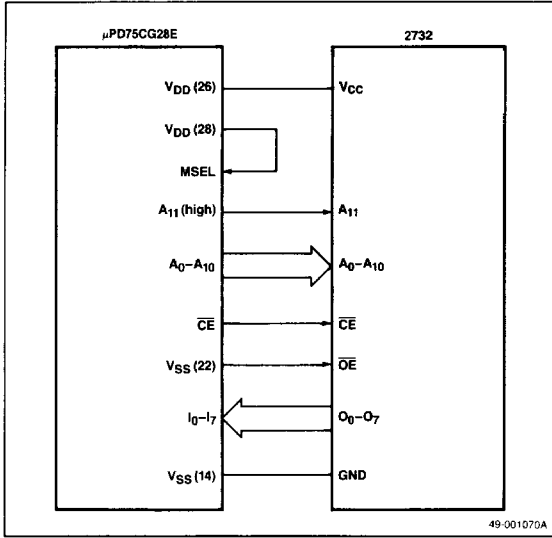
A 4-Kbyte EPROM (2732) plugs into socket pins on top of the μPD75CG28E. A high input to MSEL selects μPD7527A mode and fixes the A<sub>11</sub> output high level in order to access the upper 2-Kbytes of the 4-Kbyte EPROM. When MSEL is open, μPD7528A mode is selected. All EPROM addresses can be accessed because A<sub>11</sub> functions as the MSB of the address. Figure 5 shows the address control unit. Figures 6 and 7 show the μPD75CG28E connected with the 2732.

Figure 8 shows the EPROM read timing. Data is read into the instruction buffer at the end of the T4 state. The chip enable (CE) signal is made active during 2 states (T3, T4) in order to decrease the power consumption of the EPROM.

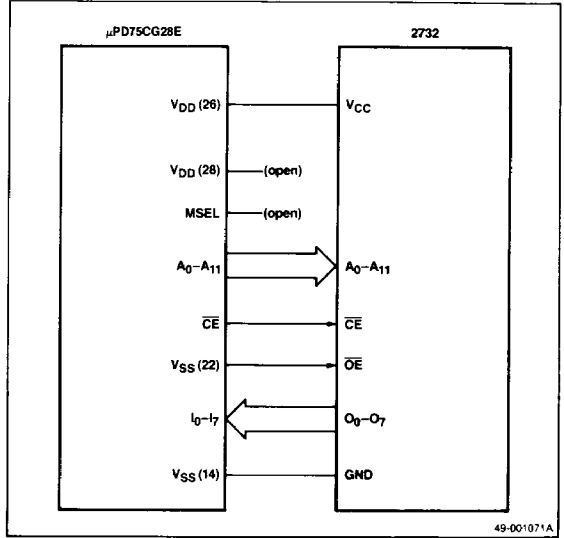
Figure 5. Address Control Unit



**Figure 6. Connection with the 2732 (μPD7527A Mode)**

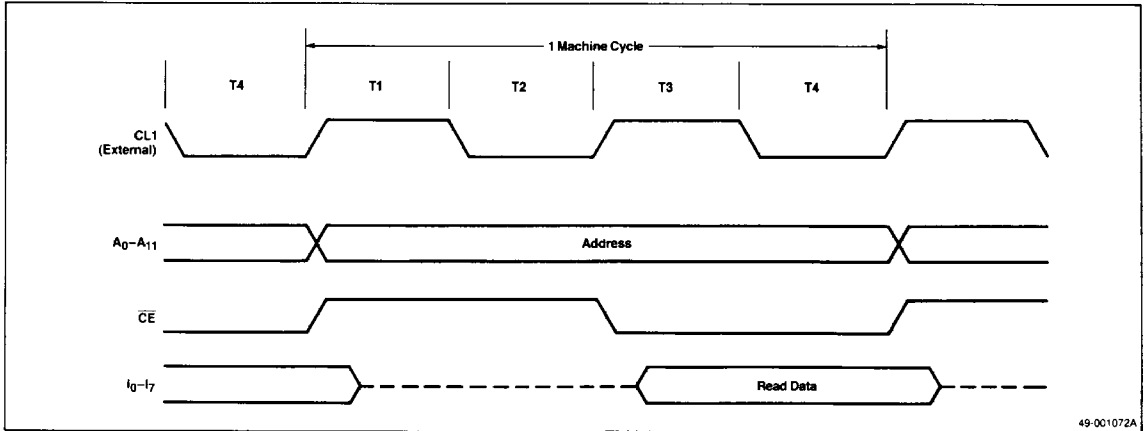


**Figure 7. Connection with the 2732 (μPD7528A Mode)**



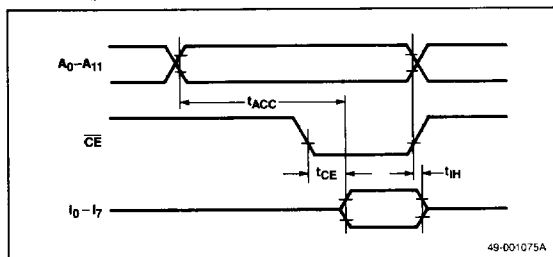
3

**Figure 8. EPROM Read Timing**



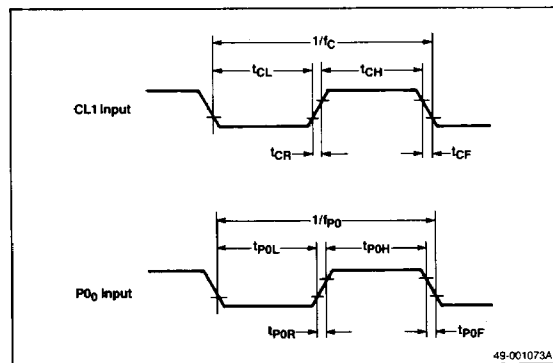
**Timing Waveforms**

**EPROM (μPD75CG28E only)**



49-001075A

**Clock**

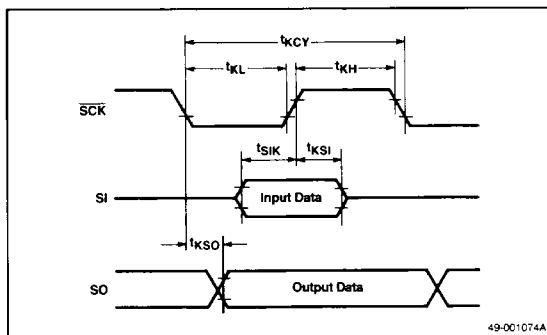


49-001073A

**Differences Among the μPD7527A/28A/CG28E**

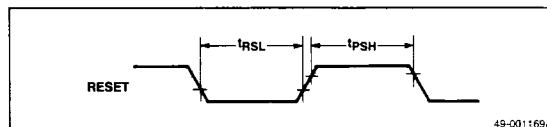
	μPD75CG28E	μPD7527A	μPD7528A
Program memory	4 Kbyte EPROM (2732) connectable on top	On-chip 2 Kbyte ROM	On-chip 4 Kbyte ROM
Data memory (RAM)	160 × 4	128 × 4	160 × 4
High-voltage output lines	All open-drain outputs	On-chip load capacitor or open drain output (bit by bit, mask optional)	
V <sub>LOAD</sub> pin	No		
Zero-cross detection	Yes	Mask optional	
Package	42-pin ceramic piggyback DIP bottom pin compatible with μPD7527A / 28A	42-pin plastic DIP 42-pin plastic shrink DIP	
Power supply	5 V	2.7 V to 6.0 V	

**Serial Interface**



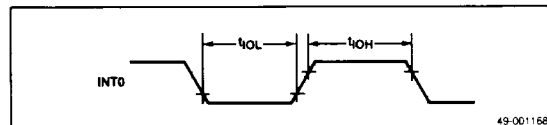
49-001074A

**Interrupt Input**



49-001169A

**Reset Input**



49-001168A