

DATA SHEET



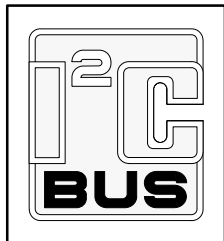
PCA9532 16-bit I²C LED dimmer

Product data
Supersedes data of 2003 Feb 26

2003 May 02

16-bit I²C LED dimmer

PCA9532



FEATURES

- 16 LED drivers (on, off, flashing at a programmable rate)
- 2 selectable, fully programmable blink rates (frequency and duty cycle) between 0.625 and 160 Hz (6.4 seconds and 6.25 milliseconds)
- 256 brightness steps
- Input/outputs not used as LED drivers can be used as regular GPIOs
- Internal oscillator requires no external components
- I²C-bus interface logic compatible with SMBus
- Internal power-on reset
- Noise filter on SCL/SDA inputs
- Active-LOW reset input
- 16 open drain outputs directly drive LEDs to 25 mA
- Controlled edge rates to minimize ground bounce
- No glitch on power-up
- Supports hot insertion
- Low stand-by current
- Operating power supply voltage range of 2.3 V to 5.5 V
- 0 to 400 kHz clock frequency
- ESD protection exceeds 2000 V HBM per JESD22-A114, 150 V MM per JESD22-A115 and 1000 V CDM per JESD22-C101
- Latch-up testing is done to JEDEC Standard JESD78 which exceeds 100 mA
- Packages offered: SO24, TSSOP24, HVQFN24

ORDERING INFORMATION

PACKAGES	TEMPERATURE RANGE	ORDER CODE	TOPSIDE MARK	DRAWING NUMBER
24-pin plastic SO	-40 to +85 °C	PCA9532D	PCA9532D	SOT137-1
24-pin plastic TSSOP	-40 to +85 °C	PCA9532PW	PCA9532	SOT355-1
24-pin plastic HVQFN	-40 to +85 °C	PCA9532BS	9532	SOT616-1

Standard packing quantities and other packaging data is available at www.philipslogic.com/packaging.

I²C is a trademark of Philips Semiconductors Corporation.

DESCRIPTION

The PCA9532 is a 16-bit I²C-bus and SMBus I/O expander optimized for dimming LEDs in 256 discrete steps for Red/Green/Blue (RGB) color mixing and back light applications.

The PCA9532 contains an internal oscillator with two user programmable blink rates and duty cycles coupled to the output PWM. The LED brightness is controlled by setting the blink rate high enough (> 100 Hz) that the blinking cannot be seen and then using the duty cycle to vary the amount of time the LED is on and thus the average current through the LED.

The initial set-up sequence programs the two blink rates/duty cycles for each individual PWM. From then on, only one command from the bus master is required to turn individual LEDs ON, OFF, BLINK RATE 1 or BLINK RATE 2. Based on the programmed frequency and duty cycle, BLINK RATE 1 and BLINK RATE 2 will cause the LEDs to appear at a different brightness or blink at periods up to 1.6 seconds. The open drain outputs directly drive the LEDs with maximum output sink current of 25 mA per bit and 200 mA per package (100 mA per octal).

To blink LEDs at periods greater than 1.6 seconds the bus master (MCU, MPU, DSP, chipset, etc.) must send repeated commands to turn the LED on and off as is currently done when using normal I/O Expanders like the Philips PCF8575 or PCA9555. Any bits not used for controlling the LEDs can be used for General Purpose Parallel Input/Output (GPIO) expansion which provides a simple solution when additional I/O is needed for ACPI power switches, sensors, pushbuttons, alarm monitoring, fans, etc.

The active-LOW hardware reset pin ($\overline{\text{RESET}}$) and Power-On Reset (POR) initializes the registers to their default state, all zeroes, causing the bits to be set HIGH (LED off).

Three hardware address pins on the PCA9532 allow eight devices to operate on the same bus.

16-bit I²C LED dimmer

PCA9532

PIN CONFIGURATION — SO, TSSOP

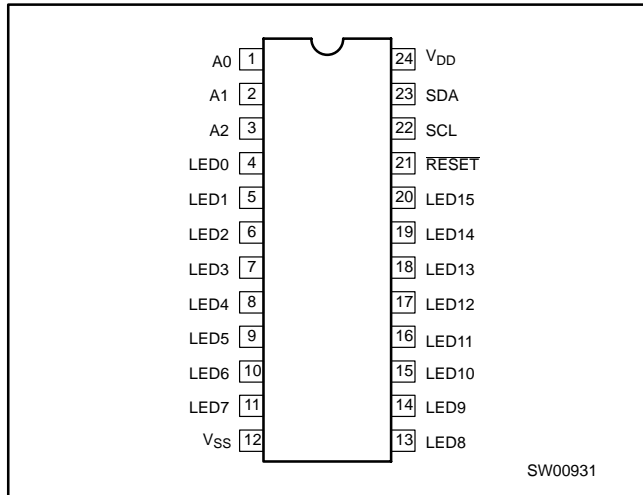


Figure 1. Pin configuration — SO, TSSOP

PIN CONFIGURATION — HVQFN

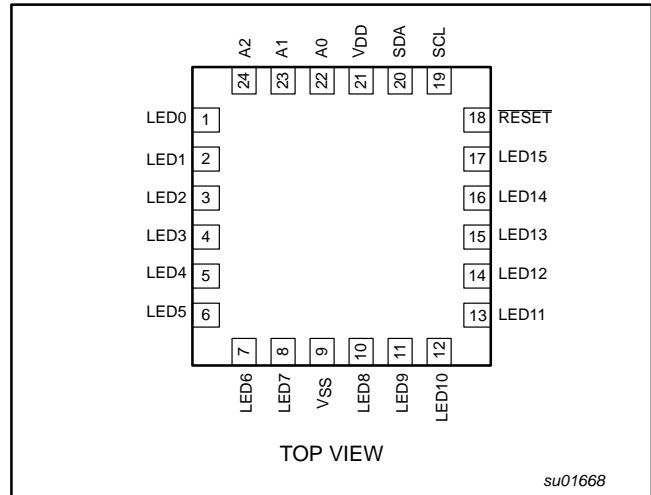


Figure 2. Pin configuration — HVQFN

PIN DESCRIPTION

SO, TSSOP PIN NUMBER	HVQFN PIN NUMBER	SYMBOL	FUNCTION
1	22	A0	Address input 0
2	23	A1	Address input 1
3	24	A2	Address input 2
4, 5, 6, 7, 8, 9, 10, 11	1, 2, 3, 4, 5, 6, 7, 8	LED0-7	LED driver 0-7
12	9	V _{SS}	Supply ground
13, 14, 15, 16, 17, 18, 19, 20	10, 11, 12, 13, 14, 15, 16, 17	LED8-15	LED driver 8-15
21	18	RESET	Active-LOW reset input
22	19	SCL	Serial clock line
23	20	SDA	Serial data line
24	21	V _{DD}	Supply voltage

16-bit I²C LED dimmer

PCA9532

BLOCK DIAGRAM

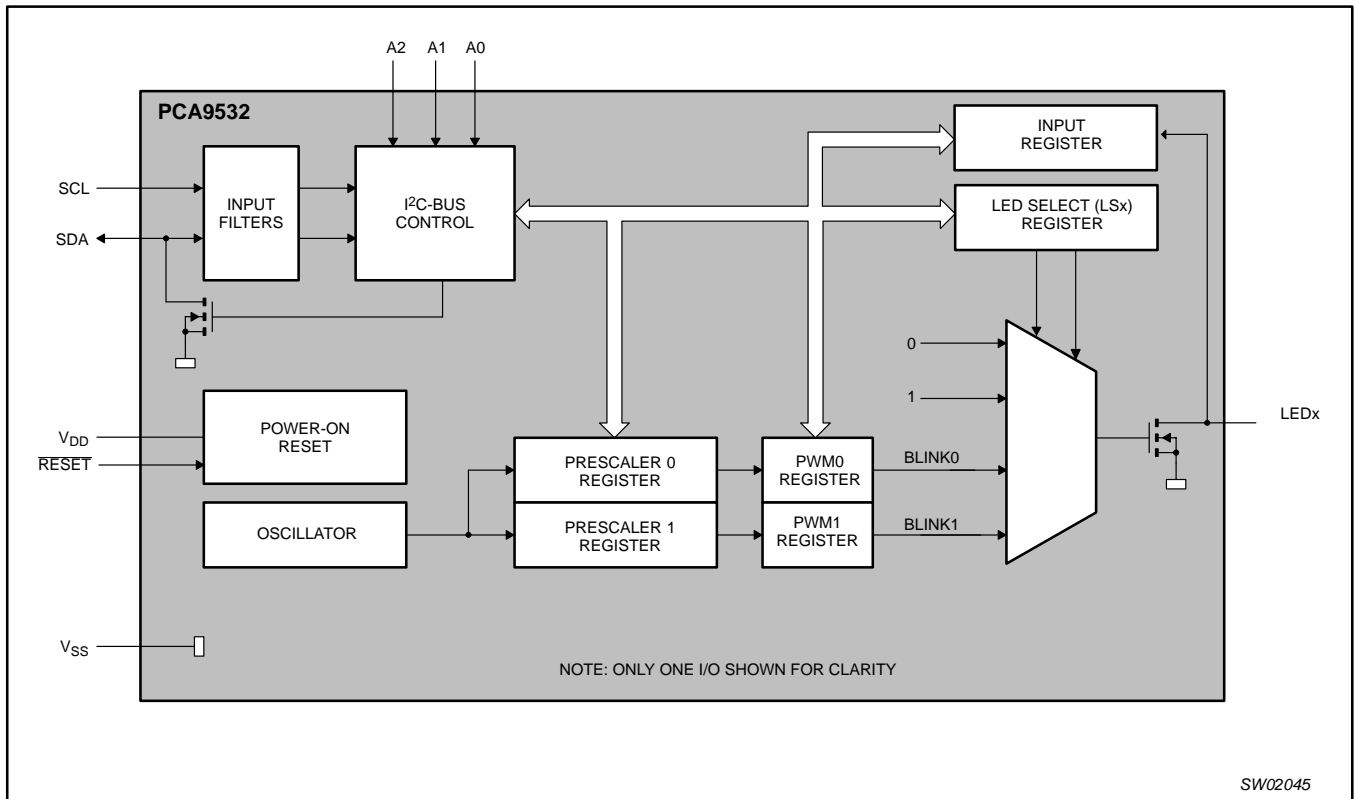


Figure 3. Block diagram

16-bit I²C LED dimmer

PCA9532

DEVICE ADDRESSING

Following a START condition the bus master must output the address of the slave it is accessing. The address of the PCA9532 is shown in Figure 4. To conserve power, no internal pull-up resistors are incorporated on the hardware selectable address pins and they must be pulled HIGH or LOW.

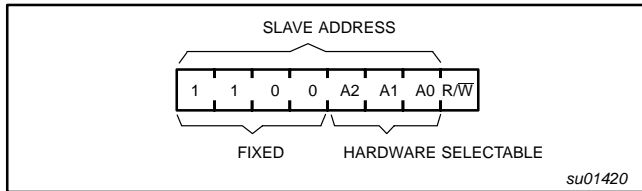


Figure 4. Slave address

The last bit of the address byte defines the operation to be performed. When set to logic 1 a read is selected while a logic 0 selects a write operation.

CONTROL REGISTER

Following the successful acknowledgement of the slave address, the bus master will send a byte to the PCA9532 which will be stored in the Control Register. This register can be read and written via the I²C-bus.

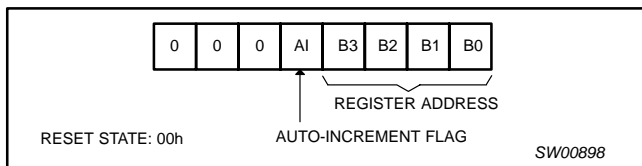


Figure 5. Control register

CONTROL REGISTER DEFINITION

B3	B2	B1	B0	REGISTER NAME	TYPE	REGISTER FUNCTION
0	0	0	0	INPUT0	READ	INPUT REGISTER 0
0	0	0	1	INPUT1	READ	INPUT REGISTER 1
0	0	1	0	PSC0	READ/ WRITE	FREQUENCY PRESCALER 0
0	0	1	1	PWM0	READ/ WRITE	PWM REGISTER 0
0	1	0	0	PSC1	READ/ WRITE	FREQUENCY PRESCALER 1
0	1	0	1	PWM1	READ/ WRITE	PWM REGISTER 1
0	1	1	0	LS0	READ/ WRITE	LED 0-3 SELECTOR
0	1	1	1	LS1	READ/ WRITE	LED 4-7 SELECTOR
1	0	0	0	LS2	READ/ WRITE	LED 8-11 SELECTOR
1	0	0	1	LS3	READ/ WRITE	LED 12-15 SELECTOR

REGISTER DESCRIPTION

The lowest 3 bits are used as a pointer to determine which register will be accessed.

If the auto-increment flag (AI) is set, the four low order bits of the Control Register are automatically incremented after a read or write. This allows the user to program the registers sequentially. The contents of these bits will rollover to '0000' after the last register is accessed.

When auto-increment flag is set (AI = 1) and a read sequence is initiated, the sequence must start by reading a register different from '0' (B3 B2 B1 B0 ≠ 0 0 0 0)

Only the 4 least significant bits are affected by the AI flag.

Unused bits must be programmed with zeroes.

INPUT0 — INPUT REGISTER 1

bit	I7	I6	I5	I4	I3	I2	I1	I0
default	0	0	0	0	0	0	0	0

The INPUT register 1 reflects the state of the device pins (inputs 0 to 7). Writes to this register will be acknowledged but will have no effect.

INPUT1 — INPUT REGISTER 2

bit	I15	I14	I13	I12	I11	I10	I9	I8
default	0	0	0	0	0	0	0	0

The INPUT register 1 reflects the state of the device pins (inputs 8 to 15). Writes to this register will be acknowledged but will have no effect.

PSC0 — FREQUENCY PRESCALER 0

bit	7	6	5	4	3	2	1	0
default	0	0	0	0	0	0	0	0

PSC0 is used to program the period of the PWM output.

$$\text{The period of BLINK0} = \frac{(\text{PSC0} + 1)}{152}$$

PWM0 — PWM REGISTER 0

bit	7	6	5	4	3	2	1	0
default	1	0	0	0	0	0	0	0

The PWM0 register determines the duty cycle of BLINK0. The outputs are LOW (LED on) when the count is less than the value in PWM0 and HIGH (LED off) when it is greater. If PWM0 is programmed with 00h, then the PWM0 output is always HIGH (LED off).

$$\text{The duty cycle of BLINK0 is: } \frac{\text{PWM0}}{256}$$

PSC1 — FREQUENCY PRESCALER 1

bit	7	6	5	4	3	2	1	0
default	0	0	0	0	0	0	0	0

PSC1 is used to program the period of PWM output.

$$\text{The period of BLINK1} = \frac{(\text{PSC1} + 1)}{152}$$

PWM1 — PWM REGISTER 1

bit	7	6	5	4	3	2	1	0
default	1	0	0	0	0	0	0	0

The PWM1 register determines the duty cycle of BLINK1. The outputs are LOW (LED on) when the count is less than the value in PWM1 and HIGH (LED off) when it is greater. If PWM1 is programmed with 00h, then the PWM1 output is always HIGH (LED off).

$$\text{The duty cycle of BLINK1 is: } \frac{\text{PWM1}}{256}$$

16-bit I²C LED dimmer

PCA9532

LS0 — LED 0-3 SELECTOR

	LED 3		LED 2		LED 1		LED 0	
bit	7	6	5	4	3	2	1	0
default	0	0	0	0	0	0	0	0

LS1 — LED 4-7 SELECTOR

	LED 7		LED 6		LED 5		LED 4	
bit	7	6	5	4	3	2	1	0
default	0	0	0	0	0	0	0	0

LS2 — LED 8-11 SELECTOR

	LED 11		LED 10		LED 9		LED 8	
bit	7	6	5	4	3	2	1	0
default	0	0	0	0	0	0	0	0

LS3 — LED 12-15 SELECTOR

	LED 15		LED 14		LED 13		LED 12	
bit	7	6	5	4	3	2	1	0
default	0	0	0	0	0	0	0	0

The LSx LED select registers determine the source of the LED data.

00 = Output is set Hi-Z (LED off - default)

01 = Output is set LOW (LED on)

10 = Output blinks at PWM0 rate

11 = Output blinks at PWM1 rate

16-bit I²C LED dimmer

PCA9532

POWER-ON RESET

When power is applied to V_{DD} , an internal Power-On Reset holds the PCA9532 in a reset state until V_{DD} has reached V_{POR} . At this point, the reset condition is released and the PCA9532 registers are initialized to their default states, all the outputs in the off state.

EXTERNAL RESET

A reset can be accomplished by holding the \overline{RESET} pin LOW for a minimum of t_{WR} . The PCA9532 registers and I²C state machine will be held in their default state until the \overline{RESET} input is once again HIGH.

This input requires a pull-up resistor to V_{DD} .

Start and stop conditions

Both data and clock lines remain HIGH when the bus is not busy. A HIGH-to-LOW transition of the data line, while the clock is HIGH is defined as the start condition (S). A LOW-to-HIGH transition of the data line while the clock is HIGH is defined as the stop condition (P) (see Figure 7).

System configuration

A device generating a message is a transmitter: a device receiving is the receiver. The device that controls the message is the master and the devices which are controlled by the master are the slaves (see Figure 8).

CHARACTERISTICS OF THE I²C-BUS

The I²C-bus is for 2-way, 2-line communication between different ICs or modules. The two lines are a serial data line (SDA) and a serial clock line (SCL). Both lines must be connected to a positive supply via a pull-up resistor when connected to the output stages of a device. Data transfer may be initiated only when the bus is not busy.

Bit transfer

One data bit is transferred during each clock pulse. The data on the SDA line must remain stable during the HIGH period of the clock pulse as changes in the data line at this time will be interpreted as control signals (see Figure 6).

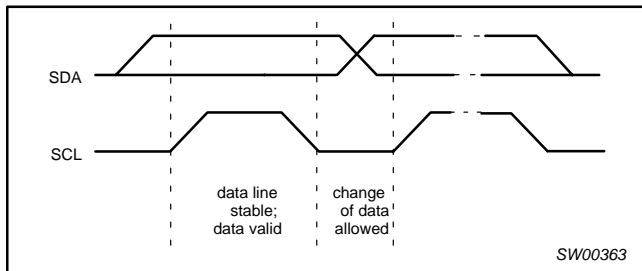


Figure 6. Bit transfer

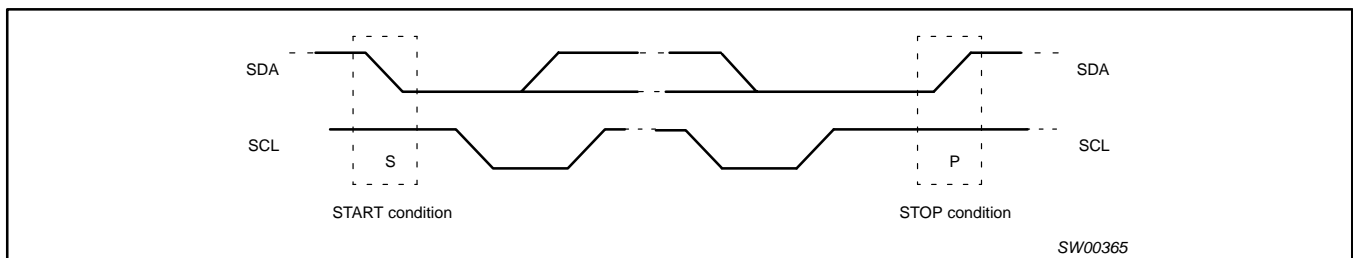


Figure 7. Definition of start and stop conditions

16-bit I²C LED dimmer

PCA9532

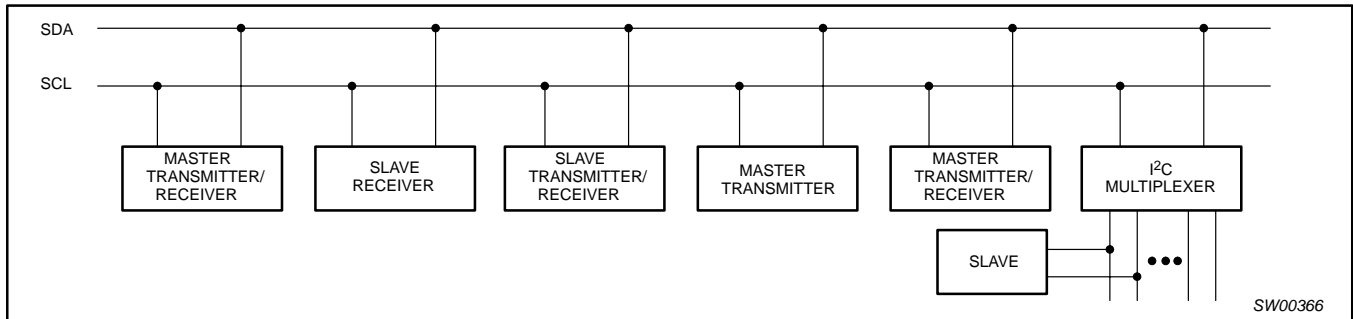


Figure 8. System configuration

Acknowledge

The number of data bytes transferred between the start and the stop conditions from transmitter to receiver is not limited. Each byte of eight bits is followed by one acknowledge bit. The acknowledge bit is a HIGH-level put on the bus by the transmitter whereas the master generates an extra acknowledge related clock pulse.

A slave receiver which is addressed must generate an acknowledge after the reception of each byte. Also a master must generate an acknowledge after the reception of each byte that has been clocked out of the slave transmitter. The device that acknowledges has to pull down the SDA line during the acknowledge clock pulse, so that the SDA line is stable LOW during the HIGH period of the acknowledge related clock pulse, set-up and hold times must be taken into account.

A master receiver must signal an end of data to the transmitter by not generating an acknowledge on the last byte that has been clocked out of the slave. In this event, the transmitter must leave the data line HIGH to enable the master to generate a stop condition.

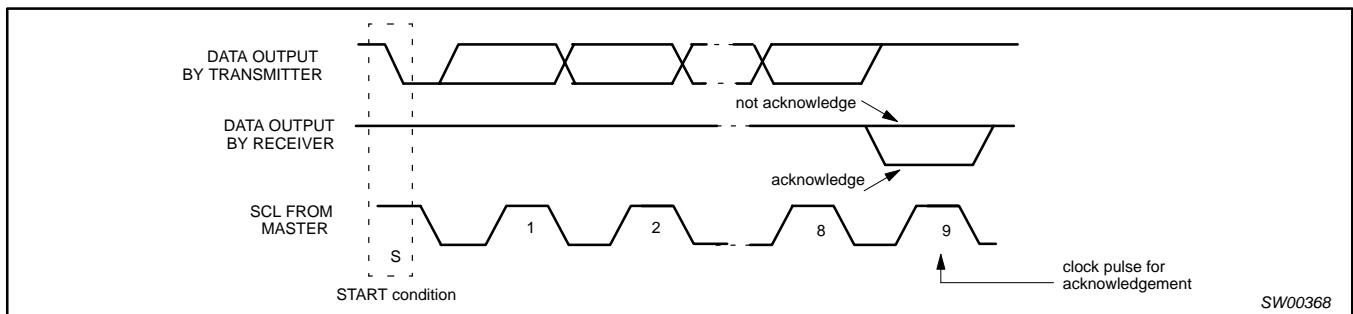


Figure 9. Acknowledgement on the I²C-bus

16-bit I²C LED dimmer

PCA9532

Bus transactions

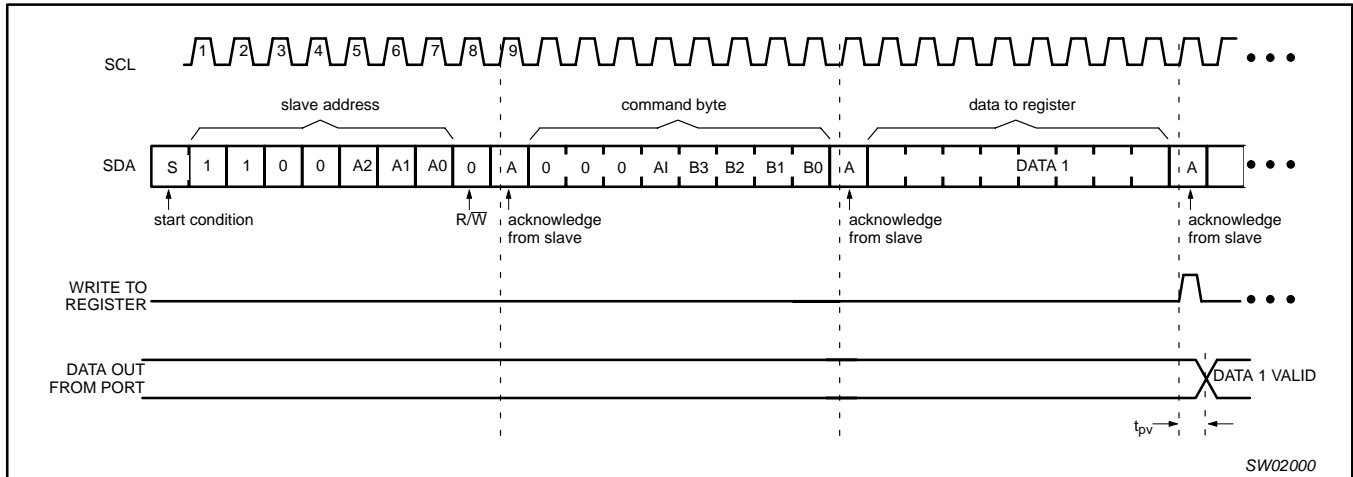


Figure 10. WRITE to register

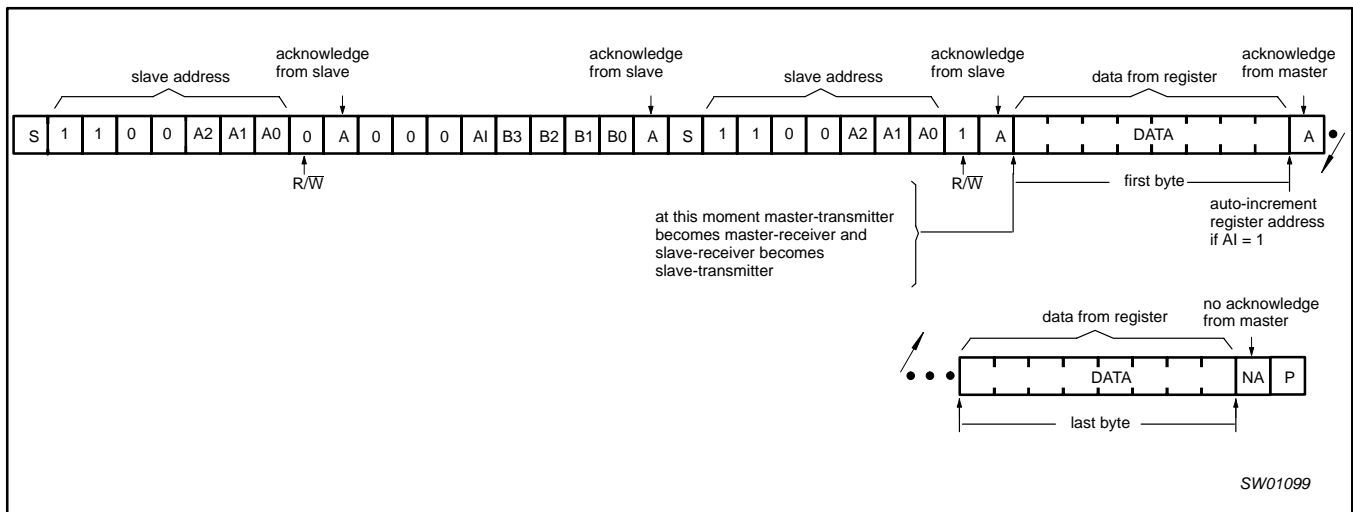
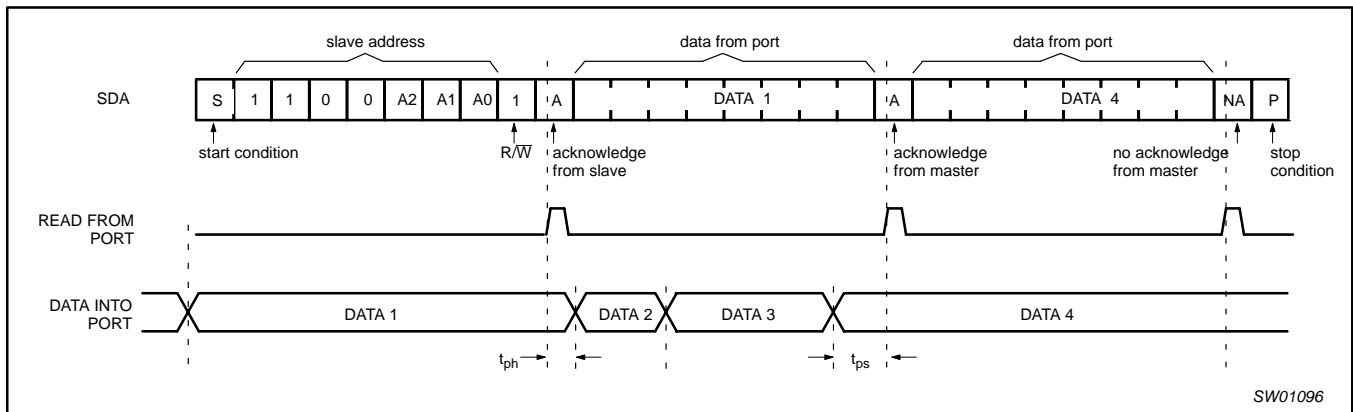


Figure 11. READ from register



NOTE:

1. This figure assumes the command byte has previously been programmed with 00h.

Figure 12. READ input port register

16-bit I²C LED dimmer

PCA9532

APPLICATION DATA

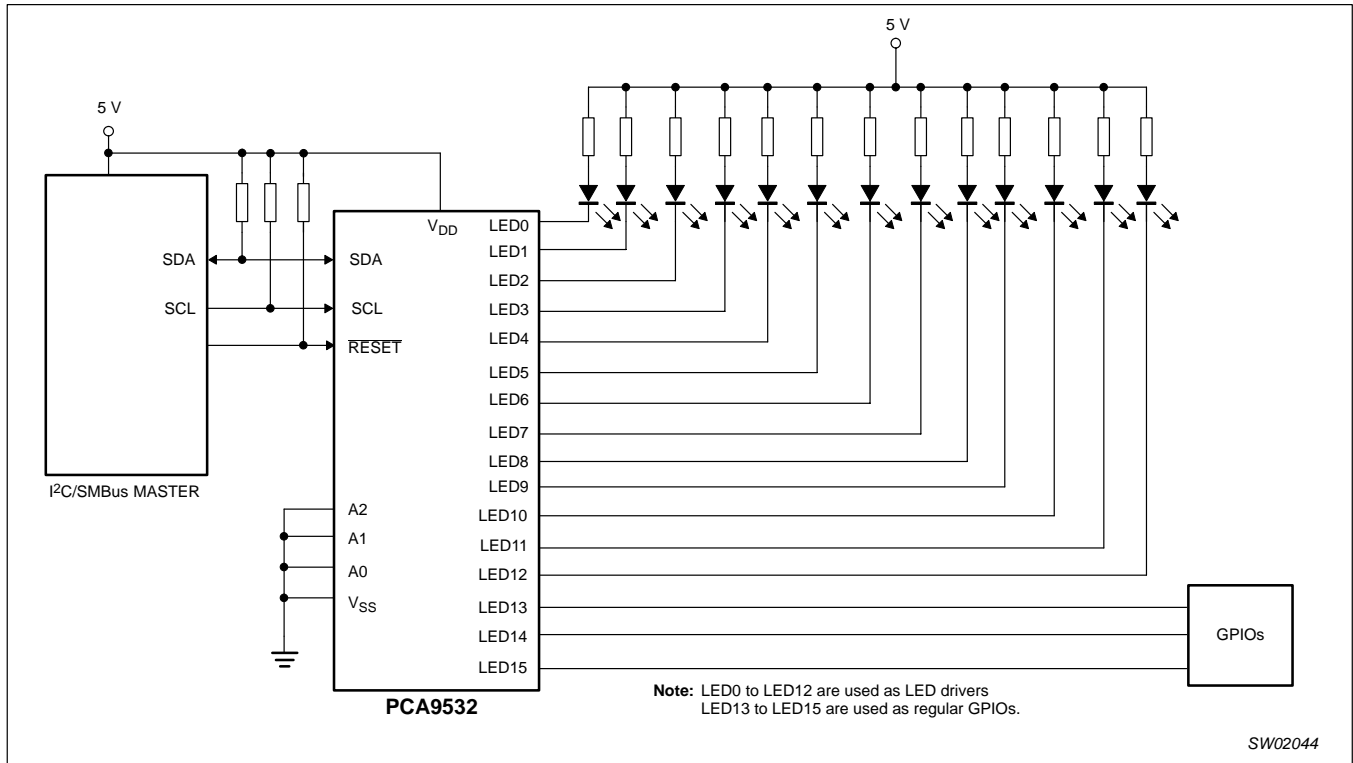


Figure 13. Typical application

Minimizing I_{DD} when the I/O is used to control LEDs

When the I/Os are used to control LEDs, they are normally connected to V_{DD} through a resistor as shown in Figure 13. Since the LED acts as a diode, when the LED is off the I/O V_{IN} is about 1.2 V less than V_{DD}. The supply current, I_{DD}, increases as V_{IN} becomes lower than V_{DD} and is specified as ΔI_{DD} in the DC characteristics table.

Designs needing to minimize current consumption, such as battery power applications, should consider maintaining the I/O pins greater than or equal to V_{DD} when the LED is off. Figure 14 shows a high value resistor in parallel with the LED. Figure 15 shows V_{DD} less than the LED supply voltage by at least 1.2 V. Both of these methods maintain the I/O V_{IN} at or above V_{DD} and prevents additional supply current consumption when the LED is off.

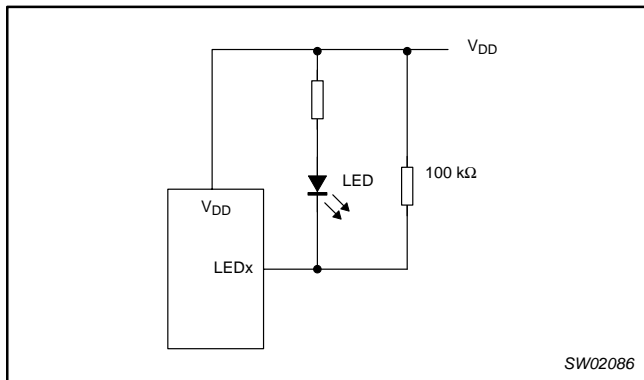


Figure 14. High value resistor in parallel with the LED

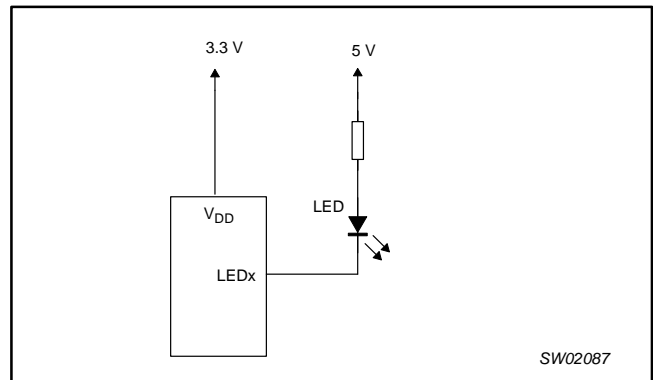


Figure 15. Device supplied by a lower voltage

16-bit I²C LED dimmer

PCA9532

Programming example

The following example will show how to set LED0 to LED3 on. It will then set LED4 and LED5 to blink at 1 Hz at a 50% duty cycle. LED6 and LED7 will be set to be dimmed at 25% of their brightness (duty cycle = 25%). LED8 to LED15 will be set to off.

Table 1.

	I ² C-bus
Start	S
PCA9532 address with A0-A2 = LOW	C0h
PSC0 subaddress + auto-increment	12h
Set prescaler PSC0 to achieve a period of 1 second: $\text{Blink period} = 1 = \frac{\text{PSC0} + 1}{152}$ PSC0 = 151	97h
Set PWM0 duty cycle to 50%: $\frac{\text{PWM0}}{256} = 0.5$ PWM0 = 128	80h
Set prescaler PCS1 to dim at maximum frequency Blink period = maximum · PSC1 = 0	00h
Set PWM1 output duty cycle to 25%: $\frac{\text{PWM1}}{256} = 0.25$ PWM1 = 64	40h
Set LED0 to LED3 on	55h
Set LED4 and 5 to PWM0, and LED6 or 7 to PWM1	FAh
Set LED8 to LED11 off	00h
Set LED12 to LED15 off	00h
Stop	P

16-bit I²C LED dimmer

PCA9532

ABSOLUTE MAXIMUM RATINGS

In accordance with the Absolute Maximum Rating System (IEC 134)

SYMBOL	PARAMETER	CONDITIONS	MIN	MAX	UNIT
V _{DD}	Supply voltage		-0.5	6.0	V
V _{I/O}	DC voltage on an I/O		V _{SS} - 0.5	5.5	V
I _{I/O}	DC output current on an I/O		—	±25	mA
I _{SS}	Supply current		—	200	mA
P _{tot}	Total power dissipation		—	400	mW
T _{stg}	Storage temperature range		-65	+150	°C
T _{amb}	Operating ambient temperature		-40	+85	°C

HANDLING

Inputs and outputs are protected against electrostatic discharge in normal handling. However, to be totally safe, it is desirable to take precautions appropriate to handling MOS devices. Advice can be found in Data Handbook IC24 under "Handling MOS devices".

DC CHARACTERISTICSV_{DD} = 2.3 to 5.5 V; V_{SS} = 0 V; T_{amb} = -40 to +85 °C; unless otherwise specified. TYP at 3.3 V and 25 °C.

SYMBOL	PARAMETER	CONDITIONS	MIN	TYP	MAX	UNIT
Supplies						
V _{DD}	Supply voltage		2.3	—	5.5	V
I _{DD}	Supply current	Operating mode; V _{DD} = 5.5 V; no load; V _I = V _{DD} or V _{SS} ; f _{SCL} = 100 kHz	—	350	550	μA
I _{stb}	Standby current	Standby mode; V _{DD} = 5.5 V; no load; V _I = V _{DD} or V _{SS} ; f _{SCL} = 0 kHz	—	2.1	5.0	μA
ΔI _{DD}	Additional standby current	Standby mode; V _{DD} = 5.5 V; Every LED I/O at V _{IN} = 4.3 V; f _{SCL} = 0 kHz	—	—	2	mA
V _{POR}	Power-on reset voltage	V _{DD} = 3.3 V; no load; V _I = V _{DD} or V _{SS}	—	1.7	2.2	V
Input SCL; input/output SDA						
V _{IL}	LOW-level input voltage		-0.5	—	0.3 V _{DD}	V
V _{IH}	HIGH-level input voltage		0.7 V _{DD}	—	5.5	V
I _{OL}	LOW-level output current	V _{OL} = 0.4 V	3	6.5	—	mA
I _L	Leakage current	V _I = V _{DD} = V _{SS}	-1	—	+1	μA
C _I	Input capacitance	V _I = V _{SS}	—	4.4	5	pF
I/Os						
V _{IL}	LOW-level input voltage		-0.5	—	0.8	V
V _{IH}	HIGH-level input voltage		2.0	—	5.5	V
I _{OL}	LOW-level output current	V _{OL} = 0.4 V; V _{DD} = 2.3 V; Note 1	9	—	—	mA
		V _{OL} = 0.4 V; V _{DD} = 3.0 V; Note 1	12	—	—	mA
		V _{OL} = 0.4 V; V _{DD} = 5.0 V; Note 1	15	—	—	mA
		V _{OL} = 0.7 V; V _{DD} = 2.3 V; Note 1	15	—	—	mA
		V _{OL} = 0.7 V; V _{DD} = 3.0 V; Note 1	20	—	—	mA
		V _{OL} = 0.7 V; V _{DD} = 5.0 V; Note 1	25	—	—	mA
I _L	Input leakage current	V _{DD} = 3.6 V; V _I = 0 or V _{DD}	-1	—	1	μA
C _{IO}	Input/output capacitance		—	2.6	5	pF
Select Inputs A0, A1, A2 / RESET						
V _{IL}	LOW-level input voltage		-0.5	—	0.8	V
V _{IH}	HIGH-level input voltage		2.0	—	5.5	V
I _{LI}	Input leakage current		-1	—	1	μA
C _I	Input capacitance	V _I = V _{SS}	—	2.3	5	pF

NOTE:

- Each I/O must be externally limited to a maximum of 25 mA and each octal (LED0-LED7 and LED8-LED15) must be limited to a maximum current of 100 mA for a device total of 200 mA.

16-bit I²C LED dimmer

PCA9532

AC SPECIFICATIONS

SYMBOL	PARAMETER	STANDARD MODE I ² C-BUS		FAST MODE I ² C-BUS		UNITS
		MIN	MAX	MIN	MAX	
f _{SCL}	Operating frequency	0	100	0	400	kHz
t _{BUF}	Bus free time between STOP and START conditions	4.7	—	1.3	—	μs
t _{HD;STA}	Hold time after (repeated) START condition	4.0	—	0.6	—	μs
t _{SU;STA}	Repeated START condition set-up time	4.7	—	0.6	—	μs
t _{SU;STO}	Setup time for STOP condition	4.0	—	0.6	—	μs
t _{HD;DAT}	Data in hold time	0	—	0	—	ns
t _{VD;ACK}	Valid time for ACK condition ²	—	600	—	600	ns
t _{VD;DAT (L)}	Data out valid time ³	—	600	—	600	ns
t _{VD;DAT (H)}	Data out valid time ³	—	1500	—	600	ns
t _{SU;DAT}	Data set-up time	250	—	100	—	ns
t _{LOW}	Clock LOW period	4.7	—	1.3	—	μs
t _{HIGH}	Clock HIGH period	4.0	—	0.6	—	μs
t _F	Clock/Data fall time	—	300	20 + 0.1 C _b ¹	300	ns
t _R	Clock/Data rise time	—	1000	20 + 0.1 C _b ¹	300	ns
t _{SP}	Pulse width of spikes that must be suppressed by the input filters	—	50	—	50	ns
Port Timing						
t _{PV}	Output data valid	—	200	—	200	ns
t _{PS}	Input data set-up time	100	—	100	—	ns
t _{PH}	Input data hold time	1	—	1	—	μs
Reset						
t _W	Reset pulse width	10	—	10	—	ns
t _{REC}	Reset recovery time	0	—	0	—	ns
t _{RESET} ^{4,5}	Time to reset	400	—	400	—	ns

NOTES:

- C_b = total capacitance of one bus line in pF.
- t_{VD;ACK} = time for Acknowledgement signal from SCL LOW to SDA (out) LOW.
- t_{VD;DAT} = minimum time for SDA data out to be valid following SCL LOW.
- Resetting the device while actively communicating on the bus may cause glitches or errant STOP conditions.
- Upon reset, the full delay will be the sum of t_{RESET} and the RC time constant of the SDA bus.

16-bit I²C LED dimmer

PCA9532

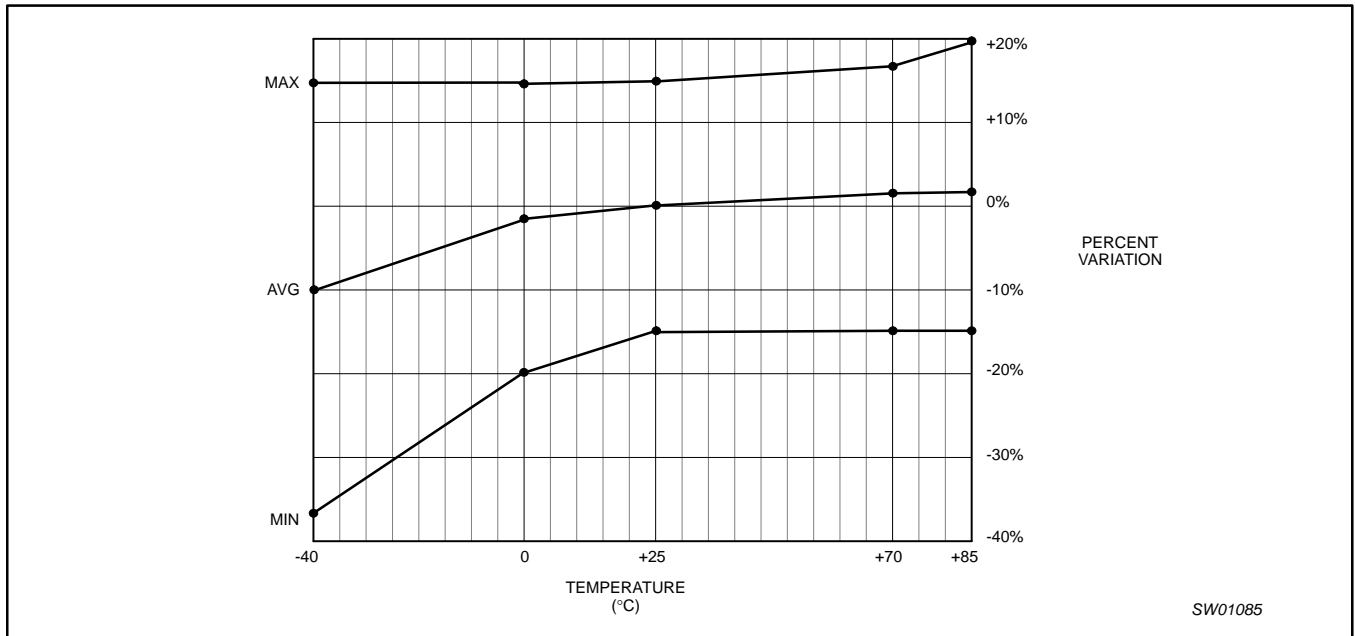


Figure 16. Typical frequency variation over process at V_{DD} = 2.3 V to 3.0 V

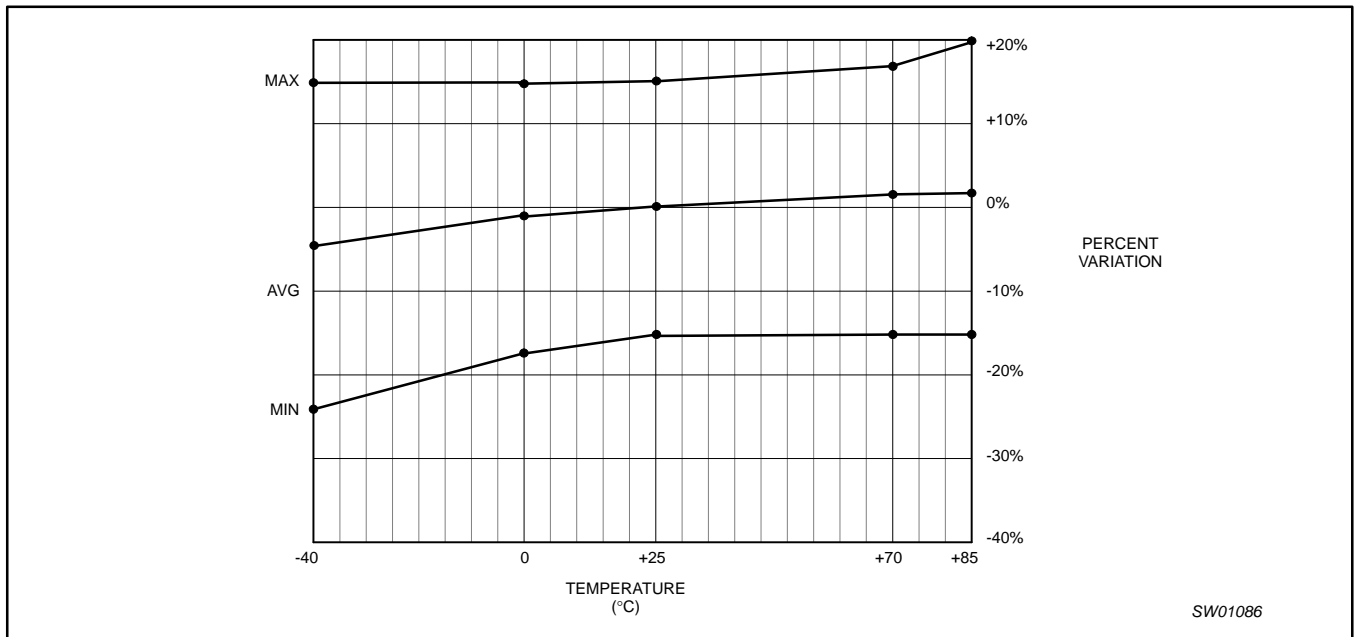


Figure 17. Typical frequency variation over process at V_{DD} = 3.0 V to 5.5 V

16-bit I²C LED dimmer

PCA9532

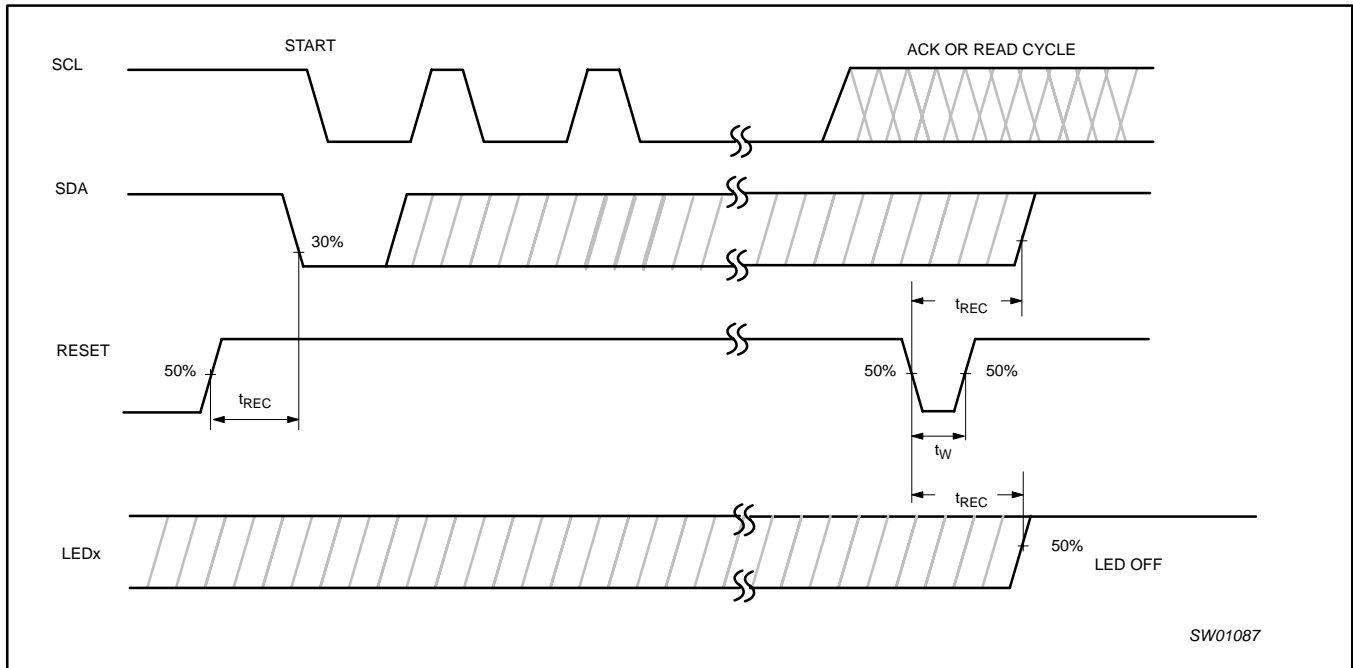


Figure 18. Definition of RESET timing

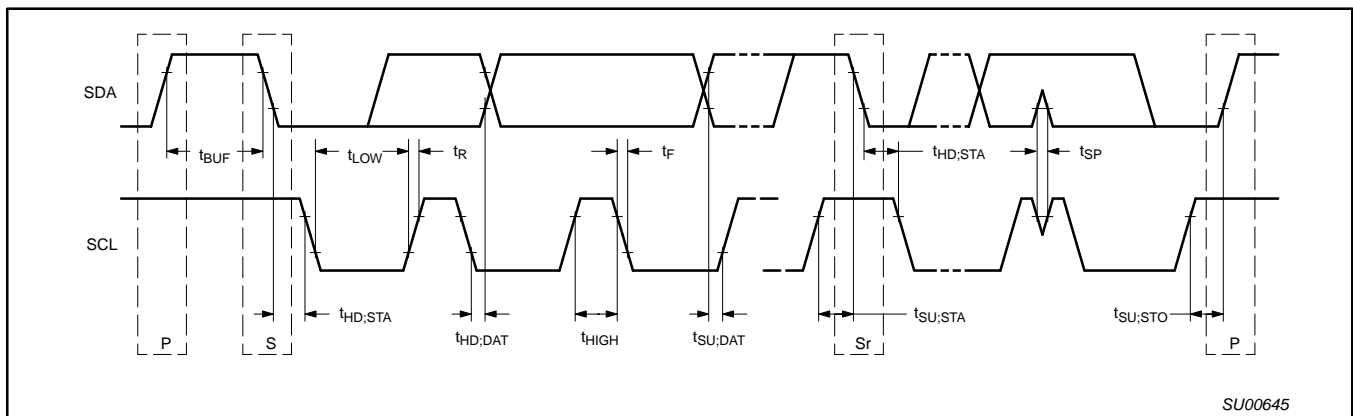


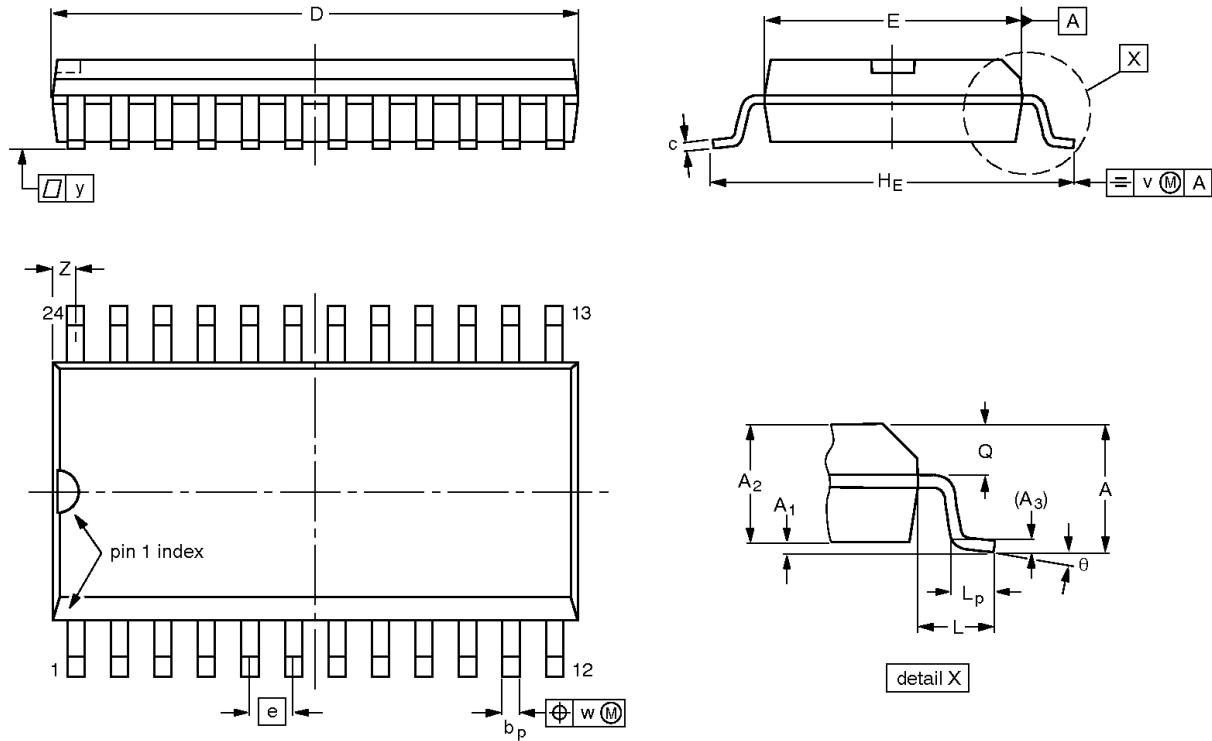
Figure 19. Definition of timing

16-bit I²C LED dimmer

PCA9532

SO24: plastic small outline package; 24 leads; body width 7.5 mm

SOT137-1



DIMENSIONS (inch dimensions are derived from the original mm dimensions)

UNIT	A max.	A ₁	A ₂	A ₃	b _p	c	D ⁽¹⁾	E ⁽¹⁾	e	H _E	L	L _p	Q	v	w	y	Z ⁽¹⁾	θ
mm	2.65	0.3 0.1	2.45 2.25	0.25	0.49 0.36	0.32 0.23	15.6 15.2	7.6 7.4	1.27	10.65 10.00	1.4	1.1 0.4	1.1 1.0	0.25	0.25	0.1	0.9 0.4	8° 0°
inches	0.1	0.012 0.004	0.096 0.089	0.01	0.019 0.014	0.013 0.009	0.61 0.60	0.30 0.29	0.05	0.419 0.394	0.055	0.043 0.016	0.043 0.039	0.01	0.01	0.004	0.035 0.016	

Note

1. Plastic or metal protrusions of 0.15 mm (0.006 inch) maximum per side are not included.

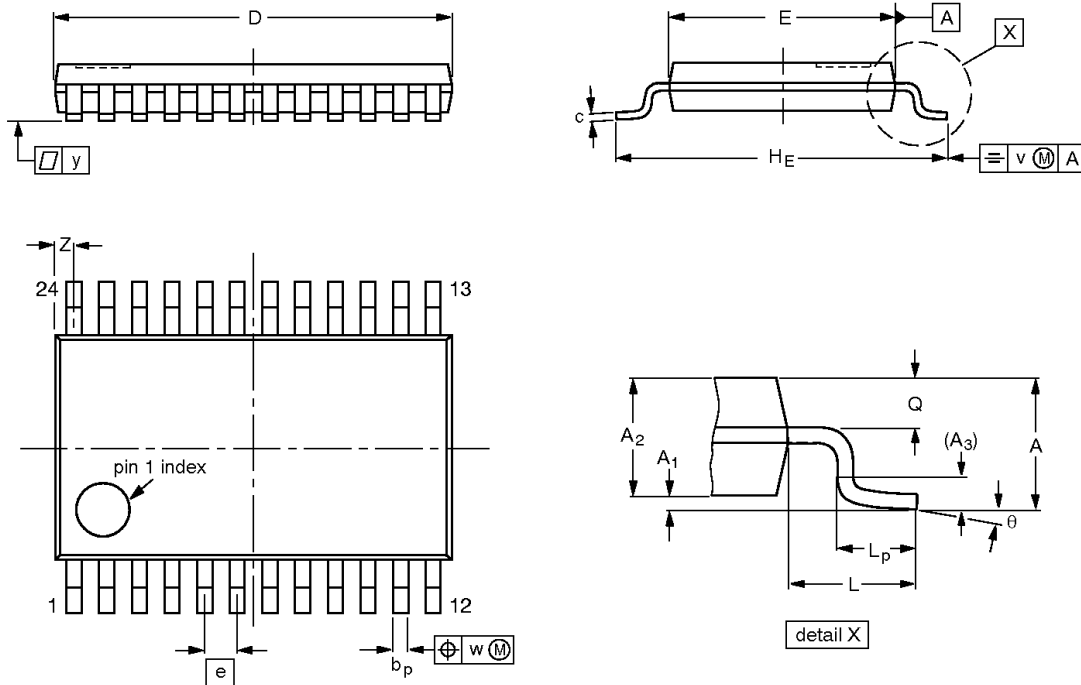
OUTLINE VERSION	REFERENCES				EUROPEAN PROJECTION	ISSUE DATE
	IEC	JEDEC	JEITA			
SOT137-1	075E05	MS-013				99-12-27 03-02-19

16-bit I²C LED dimmer

PCA9532

TSSOP24: plastic thin shrink small outline package; 24 leads; body width 4.4 mm

SOT355-1



DIMENSIONS (mm are the original dimensions)

UNIT	A max.	A ₁	A ₂	A ₃	b _p	c	D ⁽¹⁾	E ⁽²⁾	e	H _E	L	L _p	Q	v	w	y	Z ⁽¹⁾	θ
mm	1.1	0.15 0.05	0.95 0.80	0.25	0.30 0.19	0.2 0.1	7.9 7.7	4.5 4.3	0.65	6.6 6.2	1	0.75 0.50	0.4 0.3	0.2	0.13	0.1	0.5 0.2	8° 0°

Notes

1. Plastic or metal protrusions of 0.15 mm maximum per side are not included.
2. Plastic interlead protrusions of 0.25 mm maximum per side are not included.

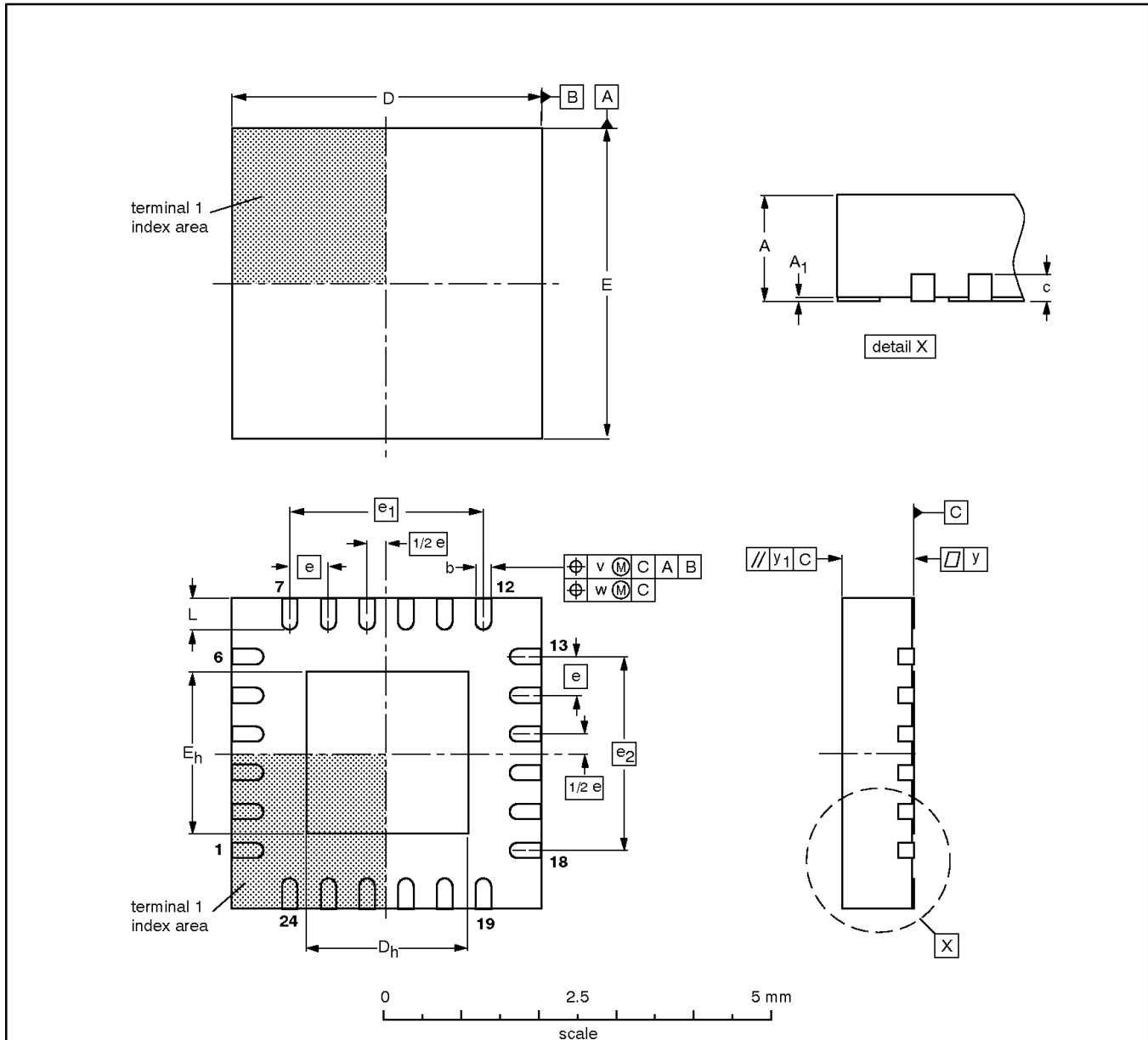
OUTLINE VERSION	REFERENCES				EUROPEAN PROJECTION	ISSUE DATE
	IEC	JEDEC	JEITA			
SOT355-1		MO-153				99-12-27 03-02-19

16-bit I²C LED dimmer

PCA9532

HVQFN24: plastic thermal enhanced very thin quad flat package; no leads; 24 terminals; body 4 x 4 x 0.85 mm

SOT616-1



DIMENSIONS (mm are the original dimensions)

UNIT	A ⁽¹⁾ max.	A ₁	b	c	D ⁽¹⁾	D _h	E ⁽¹⁾	E _h	e	e ₁	e ₂	L	v	w	y	y ₁
mm	1	0.05 0.00	0.30 0.18	0.2	4.1 3.9	2.25 1.95	4.1 3.9	2.25 1.95	0.5	2.5	2.5	0.5 0.3	0.1	0.05	0.05	0.1

Note

1. Plastic or metal protrusions of 0.075 mm maximum per side are not included.

OUTLINE VERSION	REFERENCES				EUROPEAN PROJECTION	ISSUE DATE
	IEC	JEDEC	JEITA			
SOT616-1	---	MO-220	---			01-09-09 02-10-22

16-bit I²C LED dimmer

PCA9532

REVISION HISTORY

Rev	Date	Description
_2	20030502	Product data (9397 750 11459); ECN 853-2398 29860 dated 24 April 2003. Supersedes data of 26 February 2003 (9397 750 10874). Modifications: <ul style="list-style-type: none">• Correction to voltage in typical application drawing• Update note on maximum current per bit and per device• Adjust minimum and maximum curves to ±15% on frequency variation graphs.
_1	20030226	Product data (9397 750 10874); ECN 853-2398 29297 of 12 December 2002.

16-bit I²C LED dimmer

PCA9532



Purchase of Philips I²C components conveys a license under the Philips' I²C patent to use the components in the I²C system provided the system conforms to the I²C specifications defined by Philips. This specification can be ordered using the code 9398 393 40011.

Data sheet status

Level	Data sheet status ^[1]	Product status ^[2] [3]	Definitions
I	Objective data	Development	This data sheet contains data from the objective specification for product development. Philips Semiconductors reserves the right to change the specification in any manner without notice.
II	Preliminary data	Qualification	This data sheet contains data from the preliminary specification. Supplementary data will be published at a later date. Philips Semiconductors reserves the right to change the specification without notice, in order to improve the design and supply the best possible product.
III	Product data	Production	This data sheet contains data from the product specification. Philips Semiconductors reserves the right to make changes at any time in order to improve the design, manufacturing and supply. Relevant changes will be communicated via a Customer Product/Process Change Notification (CPCN).

[1] Please consult the most recently issued data sheet before initiating or completing a design.

[2] The product status of the device(s) described in this data sheet may have changed since this data sheet was published. The latest information is available on the Internet at URL <http://www.semiconductors.philips.com>.

[3] For data sheets describing multiple type numbers, the highest-level product status determines the data sheet status.

Definitions

Short-form specification — The data in a short-form specification is extracted from a full data sheet with the same type number and title. For detailed information see the relevant data sheet or data handbook.

Limiting values definition — Limiting values given are in accordance with the Absolute Maximum Rating System (IEC 60134). Stress above one or more of the limiting values may cause permanent damage to the device. These are stress ratings only and operation of the device at these or at any other conditions above those given in the Characteristics sections of the specification is not implied. Exposure to limiting values for extended periods may affect device reliability.

Application information — Applications that are described herein for any of these products are for illustrative purposes only. Philips Semiconductors make no representation or warranty that such applications will be suitable for the specified use without further testing or modification.

Disclaimers

Life support — These products are not designed for use in life support appliances, devices, or systems where malfunction of these products can reasonably be expected to result in personal injury. Philips Semiconductors customers using or selling these products for use in such applications do so at their own risk and agree to fully indemnify Philips Semiconductors for any damages resulting from such application.

Right to make changes — Philips Semiconductors reserves the right to make changes in the products—including circuits, standard cells, and/or software—described or contained herein in order to improve design and/or performance. When the product is in full production (status 'Production'), relevant changes will be communicated via a Customer Product/Process Change Notification (CPCN). Philips Semiconductors assumes no responsibility or liability for the use of any of these products, conveys no license or title under any patent, copyright, or mask work right to these products, and makes no representations or warranties that these products are free from patent, copyright, or mask work right infringement, unless otherwise specified.

Contact information

For additional information please visit
<http://www.semiconductors.philips.com>. Fax: +31 40 27 24825

© Koninklijke Philips Electronics N.V. 2003
 All rights reserved. Printed in U.S.A.

Date of release: 05-03

For sales offices addresses send e-mail to:
sales.addresses@www.semiconductors.philips.com.

Document order number:

9397 750 11459

Let's make things better.