



GENERAL DESCRIPTION

The EM91455 is a series of tone/pulse switchable dialers that is composed of T/P dialer and T/P dialer with 3 sets memories. The EM91455 provide modern LCD driver's series data output port, which can display modern function operating icons. The EM91455 series provide necessary functions of telephone set for application in any environment, such as Pulse dialing, Tone (DTMF) dialing, Handfree dialing, keying tone ,and lock functions. The lock function is designed to inhibit toll dialing operation. Beside this, ring detector and SDO (Serial Data Output) functions are provided in advance version. Ring detector can prevent illegal dialing from pocket dialer. The SDO is designed to drive LCD driver and voice synthesizer. In this application, the dialing numbers and modern function operating icons can be displayed on LCD screen with LCD driver (EM32100 or EM32117). The EM91455 has a special I.P.P. detect function (Illegal Parallel Phone Detect) can prevent the illegal connect external Phone. The I.P.P. will detect the illegal user. When illegal user pickup phone, the function will alarm and send the alarm signal to the telephone line to interfer the illegal dialing.

FEATURES

- I.P.P. detect function prevents the illegal connect external phone.
- SDO function supports LCD driver and voice synthesizer to indicate dialing numbers and function operating icons.
- Lock function provides conventionality key lock and password lock operations.
- Ring detector is designed to prevent illegal dialing from pocket dialer.
- Line hold function is designed for stopping conversation temporality.
- Tone/Pulse switchable.
- Wide operating voltage from 2.0 V to 5.5 V.
- Low operating current, 0.15 mA (Pulse) and 0.3 mA (Tone) typically.
- Adding resistor on keyboard scan pin that can select many telephone specifications, such as : Pulse rate, M/B ratio, Flash time, lock dialing functions.
- 3-set one touch repertory memory, each one can hold data up to 16 digits.
- A 32-digit LNB (last number) redial memory.
- Keytone function provides rapidly keying recognition.
- Handfree function provides on-hook dialing and speakerphone application.
- Pause and P-T time are fixed to 3.6 seconds.
- Tone duration and inter-tone pause time are fixed to 98 ms.
- Using 3.579545 MHz crystal or ceramic resonator.
- Package forms: PDIP, skinny.

ORDERING INFORMATION

Versions list and function outline

| VERSION | LNB | KT | HOLD | I.P.P. | LOCK | HF | SDO(LCD) | PDP |
|----------|-----|----|------|--------|------|----|----------|-----|
| EM91455A | √ | √ | √ | √ | √ | | | |
| EM91455B | √ | √ | √ | √ | √ | √ | | |
| EM91455C | √ | √ | √ | √ | √ | √ | √ | |
| EM91455D | √ | √ | √ | √ | √ | √ | √ | √ |

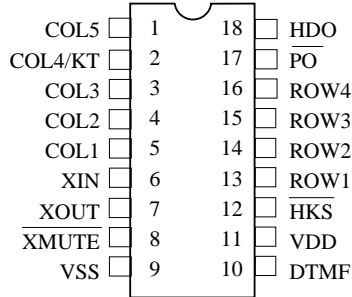
Note : PDP = Pocket Dialer Prevented

: I.P.P. detect = Illegal Parallel Phone Detect.

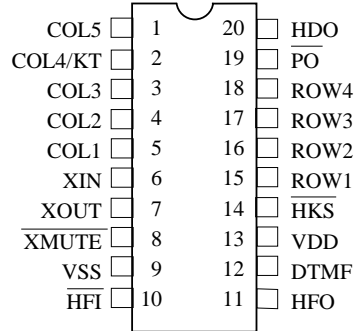
EM91455

Pin Assignment

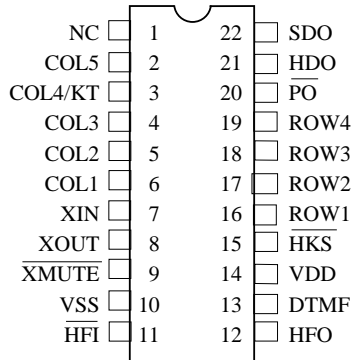
EM91455AP



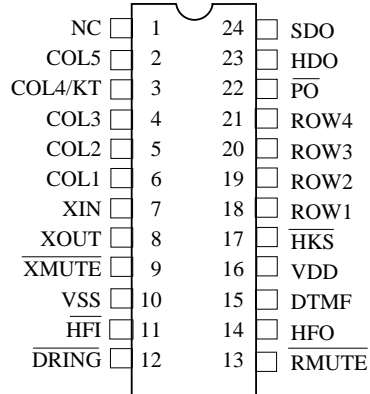
EM91455BP



EM91455CK



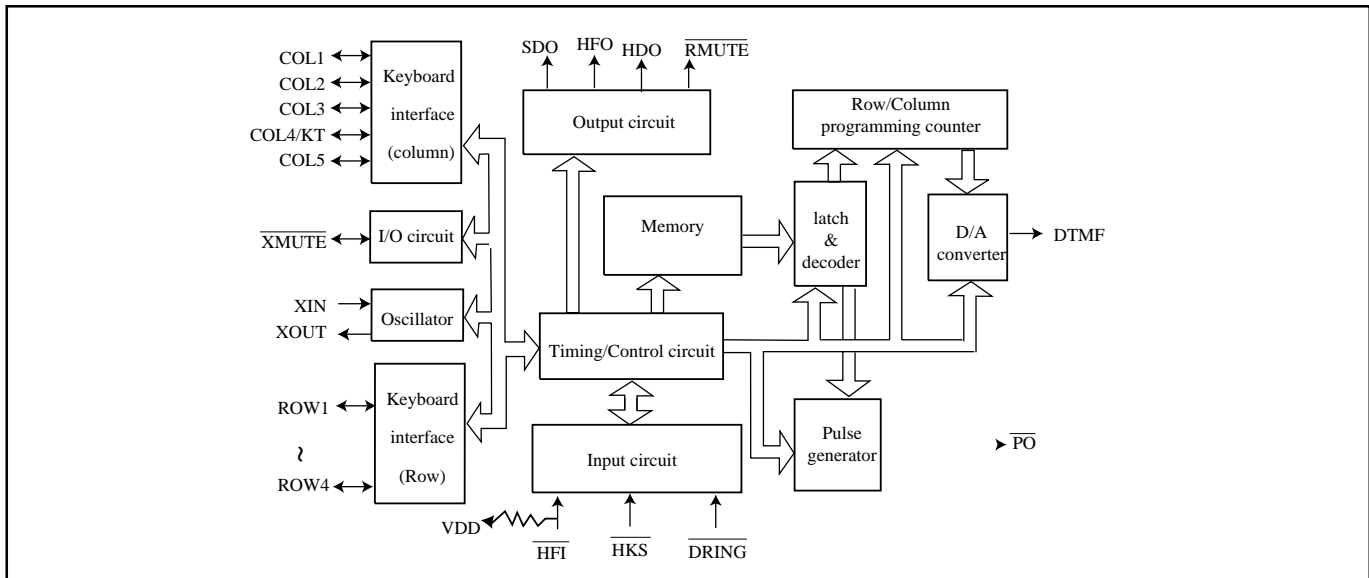
EM91455DK



Keyboard Arrangement

| | COL1 | COL2 | COL3 | COL4/KT | COL5 |
|------|-------|------|------|---------|------|
| ROW1 | 1 | 2 | 3 | HD | EM1 |
| ROW2 | 4 | 5 | 6 | F | EM2 |
| ROW3 | 7 | 8 | 9 | | EM3 |
| ROW4 | * / T | 0 | # | RD / P | ST |

FUNCTIONAL BLOCK DIAGRAM



PIN DESCRIPTIONS

| Symbol | Function |
|-----------------------|-----------------------------------------------------------------------------------------------------------------------------------------------------------------------------------------------------------------------------------------------------------------------------------------------------------------------------------------------------------------------------------|
| ROW1~ROW4 | Keyboard scan pins of row group. In idle state (\overline{HKS} is “High” and HFO is “Low”), these pins stay “High impedance” level to prevent power consumption. Otherwise, these pins switch to “High” level for detecting keyboard entry. These pins will output 600 Hz signal while keyboard is scanning. |
| COL1~COL3 and COL5 | Keyboard scan pins of column group. In idle state, these pins stay “High impedance” level. Otherwise these pins switch to “Low” level for detecting keyboard entry. These pins will output 600 Hz signal while keyboard is scanning. |
| COL4/KT | The fourth column group pin of the keyboard that also provides the keytone output. Normally, this pin stays “Low” level for detecting keyboard entry. After a valid keyboard entry, this pin will output keying confirmation tone that is 600 Hz signal and 30 ms duration. To prevent signal interference, while DTMF issue, it will disable keytone output except function key. |
| XIN and XOUT | Oscillator input and output pins. A 3.579545 MHz crystal or ceramic resonator must be crossed connection to XIN and XOUT pins which generate system clock. |
| \overline{XMUTE} | Input/Output structure pin. The output is a open drain structure. Input is schmitt trigger structure. This pin will be input pin during ON-HOOK status for illegal parallel phone detect input pin and will be output pin in OFF-HOOK condition for control speech network. |
| V_{DD} and V_{SS} | Positive and negative power supply input pins. Recommended operating voltage from 2.0Vdc to 5.5Vdc. |
| \overline{HFI} | Handfree inputs pin which accepts falling edge signal to turn “on” or turn “off” handfree function. This pin is hysteresis input structure and built-in pull up resistor (typically 200 Kohms). |
| HFO | Handfree outputs pin that is designed to control telephone line for on-hook dialing or control speakerphone circuit for handfree conversation. When handfree function is executed, this pin will switch to “High”. Otherwise, this pin stays “Low” level. |
| DTMF | The DTMF (Dual Tone Multi-Frequency) and music signals output pin. Normally, this pin stays “Low” level. In Tone dialing mode, this pin will output DTMF signal that is corresponding to keyboard 0 .. 9, * and # keys. |

* This specification are subject to be changed without notice.



| Symbol | Function |
|---------------------------|----------------------------------------------------------------------------------------------------------------------------------------------------------------------------------------------------------------------------------------------------------------------------------------------------------------------------------------------------------------------------------------------------------------------------------------------------------------------------------------------------------------------------------------------------------------------------------------------------------------------------------------------------------------------------------------------------------------------------------------------------------------------------------------------------------------------------------------------------|
| $\overline{\text{HKS}}$ | Control signal inputs pin that is corresponding hook switch status. When handset was left from cradle, this pin must be connected to “Low” level to operate all functions. Otherwise, this pin must be connected to “High” level to disable all function and prevent power consumption. |
| PO | Pulse signal outputs pin that is NMOS open-drain output structure. Normally, this pin stays “High impedance” level. In Pulse dialing mode and keypad was entry. This pin will output pulse trains signal that is corresponding to keyboard 0 .. 9 keys. |
| HDO | Hold function output that is CMOS structure. Normally, this pin stays “Low” level. When Hold function is executing, this pin will output “High” level. This pin is designed to drive LED or peripheral circuit to indicate line is at Hold status. |
| SDO | SDO function output that is NMOS open-drain structure. When there is a valid entry on keyboard, this pin will output a serial data. This serial data is designed to drive LCD driver to display dialing number on LCD screen or drive voice synthesizer to announce dialing number to speaker. |
| $\overline{\text{DRING}}$ | The ring signal detect input pin. While the Tel-ring is incoming, this pin must be connected to “Low” with delay to indicate the ringing . Otherwise, this pin must be connected to “High” level . |
| $\overline{\text{RMUTE}}$ | Ring mute output pin that is NMOS open-drain structure. The $\overline{\text{RMUTE}}$ pin is designed to control microphone of handset to prevent the illegal dialing from pocket dialer. If the $\overline{\text{DRING}}$ pin is at “High” level , then Off-Hook or turn on Handfree , this pin will output “Low” level. In other words, the $\overline{\text{DRING}}$ pin is used to check the phone that receives an incoming call ($\overline{\text{DRING}}$ =Low input) or make an outgoing call ($\overline{\text{DRING}}$ = High input) . If the phone user make an outgoing call ,then $\overline{\text{RMUTE}}$ pin activated to prevent the illegal dialing from pocket dialer in the particular application. The $\overline{\text{RMUTE}}$ can be restored to “High” level when the first key entry is not the optioned lock-number . |
| NC | No connection. |

FUNCTION DESCRIPTIONS

Dialing signal selection

The EM91455 series incorporated a special keyboard scanning function that is connecting a resistor (typically is 560 Kohms) on keyboard scan pin to select many telephone specifications. The specifications are described as following :

a. Mode

| | |
|-------|--------|
| ROW1 | Mode |
| R-Vdd | 20 PPS |
| NR | Tone |
| R-Vss | 10 PPS |

b. M/B ratio

| | |
|-------|---------|
| ROW2 | MBR (%) |
| NR | 40:60 |
| R-Vss | 33:66 |

c. Flash time

| | | |
|-------|-------|---------|
| ROW3 | ROW4 | Tf (ms) |
| NR | NR | 600 |
| NR | R-Vss | 100 |
| R-Vss | NR | 80 |
| R-Vss | R-Vss | 300 |

d. Lock control method

| | |
|-------|----------------|
| COL1 | Control method |
| R-Vdd | key lock |
| NR | none lock |
| R-Vss | password lock |

e. Lock number

| | | |
|-------|-------|-------------|
| COL2 | COL3 | Lock number |
| NR | NR | none |
| NR | R-Vss | 0 |
| R-Vss | NR | 9 |
| R-Vss | R-Vss | 0,9 |

Normal dialing

Directly keying digital key on keyboard which number can be dialing output and stored in LNB memory automatically. Operating procedure described as follow :

- To select Pulse or Tone mode.
- Off-hook or turn on HF function.
- Keying d1, d2, .. , dn. The “d” expressed digital keypad that included 1~9, *, 0, #, P, and P→T keys. The “n” expressed unlimited.
- The numbers d1, d2, .. , dn will be dialed out in Pulse or Tone mode as selection.

LNB redial memory

Storing:

In normal dialing mode, every digital key was entry which number will be stored in LNB memory automatically. If entry digits are more than 32 digits, the redial function of LNB memory will be disabled. Otherwise, these numbers stored in LNB memory can be redial output.



Redialing:

After normal dialing, directly keying **F** key (or On-Off hook once) and keying **RD** key on keyboard. The numbers that are stored into LNB memory will be dialed output.

Repertory memory

The EM91455 series incorporated several sets repertory memory and each one can store number up to 16 digits. These memories were designed to 3 sets types. In memory storing, if stored numbers are more than 16 digits that only the previous 16 digits can be stored into specific memory. Otherwise, these numbers can be stored entirely. After memory dialed out, the content of LNB is keeping to current data.

Storing of 3 sets memory

Direct (one-touch) operation

Off-hook (or turn on HF function), push **(ST, d1, d2, .., dn [ST], EMn)** The numbers d1, d2, .., dn will be stored into memory location “EMn”. The “EMn” expressed emergency memory EM1 to EM3.

Dialing (after memory dialed out, the content of LNB is keeping to current data)

Direct (one-touch) memory operation

- To select Pulse or Tone mode.
- Off-hook (or Turn on HF function), push “EMn” key. The numbers that are stored in direct memory location “EMn” will be dialed out in Pulse or Tone mode as selection. The “n” expressed digital number from 1~3.

Pause (P) key operation

The Pause (P) key is designed to support pause operation in dialing duration. “P” key can be stored in memory and it will occupy one digital position.

- To select Pulse or Tone mode.
- Off-hook (or turn on HF function), push **(d1, d2, .., dn, RD/P, k1, k2, .., kn.)** These numbers will be dialed out as following sequence:

d1, d2, .., dn, Tp, k1, k2, .., kn.

Pulse to Tone (*T) key operation

The Pulse to Tone (*T) key is designed to support toll dialing (long distance call) or PABX system operation. The “*T” key can be stored in memory and it will occupy one digital position.

- To select Pulse mode.
- Off-hook (or turn on HF function), push d1, d2, .., dn, */T, k1, k2, .., kn. These numbers will be dialed out as following sequence:

d1, d2, .., dn, Tpt, k1, k2, .., kn.
(pulse mode) (tone mode)



Flash (F) key operation

The Flash (F) key is designed to break telephone line temporarily. After F key is depressed, this dialer will send a flash signal to break line 600 ms, 300 ms, 100 ms or 80 ms as ROW3 and ROW4 selection.

Handfree (HF) function

The handfree function is designed to support on-hook dialing and loudspeaker application which can be turn “on” or “off” with falling edge signal from $\overline{\text{HFI}}$ pin. During handfree function is executed, the HFO pin is switched to “high”. Otherwise the HFO pin stays “low” level. One of the following operations can turn off Handfree function (HFO pin return to “Low”).

- On-off hook once.
- Trigger $\overline{\text{HFI}}$ pin with falling edge signal.
- Turn on Hold (HD) function. (HDO pin switched to “High”)

Hold (HD) function

The Hold function is designed to stop conversation temporarily. In off-hook state (or HF function is turned on), to press **HD** key on the keyboard, the Hold function can be turned “on” (HDO pin switched to “High”). One of the following operations can turn off Hold function (HDO pin switched to “Low”).

- On-off hook once.
- To press **HD** key over 93 ms.
- Turn on Handfree (HF) function. (HFO pin switched to “High”)

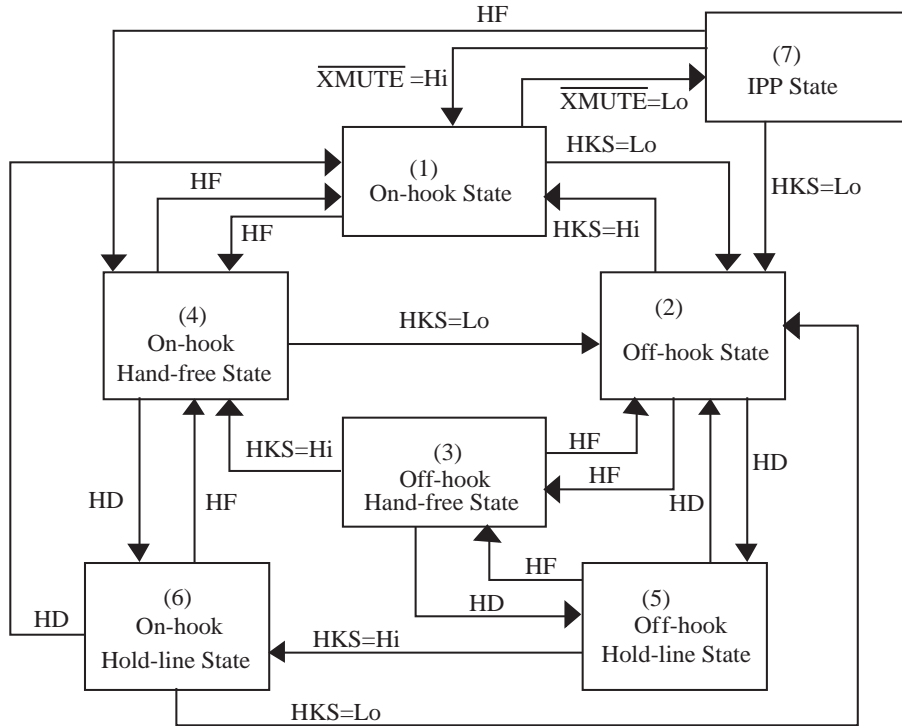
Special Note:

A 300 ms delay time (Tdly) at the first Off-Hook or turn on Handfree that is a special designed to avoid a rapid key entry (dummy number) in this time duration ,and a long distance call number follows. For example, Off-Hook , “3” ,..... , “0” ,1,2,3.....

Dummy key Lock number key

The dummy number “3” is not detected by the centered office or PABX ,but the following numbers “0” ,1,2, 3... long distance call can be dialed out normally since the leading number “3” is not the Lock-number defined in EM91455 series. To prevent the unavoidable long distance call, then EM91455 inhibits the key entry during Tdly.

Operating flow chart



<Note> : HF = Handfree
 HD = Hold

Truth table

| Operating state | Pin level | | | | | |
|-------------------------|-----------|---------------------------|------------------------|-----|-----|--------|
| | Input | I/O | Output | | | |
| | HKS | $\overline{\text{XMUTE}}$ | $\overline{\text{PO}}$ | HFO | HDO | DTMF |
| (1) On-hook, idle state | H | H/F | F | L | L | - |
| (2) Off-hook line | L | H/F | F | L | L | - |
| (3) Off-hook, HF line | L | H/F | F | H | L | - |
| (4) On-hook, HF line | H | H/F | F | H | L | - |
| (5) Off-hook, HD line | L | L/L | F | L | H | - |
| (6) On-hook, HD line | H | L/L | F | L | H | - |
| (7) IPP state | H | L/L | F | H | H | active |

Note : F=floating (high impedance); H=logic “High”; L=logic “Low” level.

$\overline{\text{XMUTE}}$ are I/O port, so Input will effect state situation change, and which state dialer stay will effect output level.

SDO (Serial Data Output) function

The SDO is serial data output which format is same as UART protocol. SDO function is designed to drive LCD driver and voice synthesizer. So the dialing numbers can be display on LCD screen with EM32100 (or EM32117). The SDO signal consists of two start bits, six data bits and two stop bits. The bit time is about 3.9 ms (256 Hz) and output sequences are following by start bits, data bits (LSB to MSB) and stop bits.



* Keypad,SDO format and LCD display reference table:

| Keypad | bit5 | bit4 | bit3 | bit2 | bit1 | bit0 | Display |
|--------------|------|------|------|------|------|------|-------------------|
| 1 | 0 | 0 | 0 | 0 | 0 | 1 | 1 |
| 2 | 0 | 0 | 0 | 0 | 1 | 0 | 2 |
| 3 | 0 | 0 | 0 | 0 | 1 | 1 | 3 |
| 4 | 0 | 0 | 0 | 1 | 0 | 0 | 4 |
| 5 | 0 | 0 | 0 | 1 | 0 | 1 | 5 |
| 6 | 0 | 0 | 0 | 1 | 1 | 0 | 6 |
| 7 | 0 | 0 | 0 | 1 | 1 | 1 | 7 |
| 8 | 0 | 0 | 1 | 0 | 0 | 0 | 8 |
| 9 | 0 | 0 | 1 | 0 | 0 | 1 | 9 |
| 0 | 0 | 0 | 1 | 0 | 1 | 0 | 0 |
| “*/T | 0 | 0 | 1 | 0 | 1 | 1 | |
| # | 0 | 0 | 1 | 1 | 0 | 0 |] |
| P | 0 | 0 | 1 | 1 | 0 | 1 | P |
| */T” | 0 | 0 | 1 | 1 | 1 | 0 | - |
| ST | 1 | 0 | 0 | 0 | 0 | 0 | STORE |
| HOLD | 1 | 0 | 1 | 0 | 0 | 0 | HOLD |
| HF | 1 | 0 | 1 | 0 | 1 | 0 | Speaker |
| F | 1 | 0 | 1 | 1 | 1 | 1 | clear all display |
| (Lock state) | 1 | 0 | 0 | 0 | 0 | 1 | Lock |
| EM1~EM3 | 1 | 1 | 1 | 1 | 0 | 0 | MEMORY |
| RD | 1 | 1 | 1 | 1 | 0 | 1 | RD |

<Note> : The display of LCD panel “ST”, ”Hold”, ”HF”, ”EM1~EM3”, ”RD” is corresponding to EM32117 with flag types.

LOCK function

The EM91455 serial provides the LOCK function to inhibit toll dialing operation. Connecting a resistor on COL1 pin to VSS can select different LOCK control method that is conventional key lock or password lock. Also the lock number that can be selected by connecting the resistors on COL2 or COL3 pin. After power on reset, the password is fixed to 000 automatically. The lock function is disabled when the password is equal to 000 .

How to setup password

- Set LOCK function to password control mode. (Connects a resistor on COL1 pin to VSS)
- Off hook (or turn on HF function)
- Push : # , # , ops1 , ops2 , ops3 , nps1 , nps2 , nps3 , # . If the ops1~ops3 are the same with current password, then nps1~nps3 will be stored in the dialer to replace current password. Otherwise, the current password can not be updated. All the numbers pressed in the password setup procedure can not be dialed out when current password is not equal to 000. If the current password are equal to 000, then only the first number “#” will be dialed out.

Normal dialing :

Set lock function to none lock mode (without resistor connected to COL1 pin) or set password equal to 000. In this case, the dialer is operated in normal mode and all functions work at unlimitation.

Dialing via LOCK function

Conventional key lock mode. (Connects a resistor on COL1 pin to VDD)

- Off hook (or turn on HF function)
- Keying : d_1 , d_2 , .. , d_n . If the first number (d_1) is the same with the lock number that optioned in table, then all entry numbers can not be dialed out and keyboard will be inhibited until on to off hook once again. If the first number is not equal to lock number, all the entry numbers will be dialed out.

Password control mode. (Connects a resistor on COL1 pin to VSS)

- Off hook (or turn on HF function)
- Keying : ([# , **ps1** , **ps2** , **ps3**] + **telephone number.**) The numbers in the [] symbol could be omitted. The number “#” will be inhibited when the current password is not equal to 000, and **ps1** , **ps2** , **ps3** work at the checking state, not to be dialed out. Other descriptions are as on following :
 - ◇ **Incorrect password entry.** The telephone numbers can not be dialed out.
 - ◇ **Password is omitted** . If the first digit of telephone numbers is the same with the lock number, all of the telephone numbers can not be dialed out and keyboard will be inhibited until On to Off hook once again. If the first digit is not equal to the lock number then the telephone numbers will be dialed out entirely.
 - ◇ **Correct password entry.** The telephone numbers can be dial out no matter what lock number is. If the first digit is not equal to the lock number then the telephone numbers will be dialed out entirely and use the Flash key to redial any other number will not check the pass word again.

Ring detector

The Ring detector is designed to prevent illegal dialing from pocket dialer. Following the procedures (i,ii,iii), this dialer will detect \overline{DRING} pin to control \overline{RMUTE} output level. If \overline{DRING} is detected a “Low” level, the \overline{RMUTE} stays “High impedance”. If \overline{DRING} is detected a “High” level, the \overline{RMUTE} will output “Low” until keyboard entry. In actual application of the \overline{RMUTE} pin is recommended connection to microphone of the phone handset to prevent that the dialing signal (DTMF) is coupling by the Microphone of the phone handset. (such as pocket dialer)

- i. In idle state, \overline{HKS} is from “High” to “Low” (pick up handset action).
- ii. In idle state, turn on handfree function.
- iii. The flash operation (F key).

I.P.P. DETECT function

The EM91455 series provide the I.P.P. function to protect illegal connect. I.P.P means Illegal Parallel Phone Detect. I.P.P. function depend on \overline{XMUTE} pin and \overline{HKS} , HF status. When in the ON-HOOK condition and HF turn off, the \overline{XMUTE} pin will be a Input pin to detect the voltage lever, otherwise, the \overline{XMUTE} pin will be a normally output pin use for control speech network. When I.P.P. function detect. \overline{XMUTE} pin at "low" status (In On-Hook and HF turn OFF state), EM91455 will turn on HF and HDO then send alarm signal to telephone line. In alarm duration DTMF pin will continue sending "#", "8" "8" signal. The DTMF signal will interfere the illegal user until the illegal user hang up the phone and the \overline{XMUTE} pin detect "high" again. The telephone circuit design can allow the illegal internal connect user. (see I.P.P Application CIRCUIT).



ABSOLUTE MAXIMUM RATINGS(Ambient temperature is 25 °C, all voltages referenced to V_{SS})

| Items | Sym. | Rating | Unit |
|-----------------------|-----------|--------------------------------|------|
| Power supply voltage | V_{DD} | 6.0 Vdc | V |
| Input voltage range | V_{IN} | $V_{SS}-0.3V \sim V_{DD}+0.3V$ | V |
| Operating temperature | T_{OPR} | 0 ~ 50 | °C |
| Storage temperature | T_{STO} | -55 ~ 125 | °C |
| Power consumption | P_D | 500 | mW |

DC ELECTRICAL CHARACTERISTICS

(Ambient temperature is 25 °C, $V_{DD}=2.5V$ unless otherwise noted, all voltages referenced to V_{SS} , $F_{osc}=3.579545$ MHz)

| Parameter | | Sym. | Min. | Typ. | Max. | Unit | Condition |
|----------------------------------------------------------------------------------------------|--------------------|------------|-------------|------|-------------|--------------------------------|--------------------------------|
| Operating voltage | Pulse | | 2.0 | - | 5.5 | V | unload |
| | Tone | | 2.0 | - | 5.5 | | |
| Operating current($\overline{HKS}=0$) | Pulse | I_{dd} | - | 0.15 | 0.3 | mA | with pull up/down resistor * 8 |
| | Tone | | - | 0.3 | 0.5 | | |
| Memory retention current | | I_{mrt} | - | - | 0.1 | uA | $\overline{HKS}=1, V_{DD}=1V$ |
| Standby current | $\overline{HKS}=1$ | I_{stby} | - | - | 0.1 | uA | unload |
| | $\overline{HKS}=0$ | | - | 1 | 10 | | |
| | $\overline{HKS}=1$ | | - | - | 0.1 | with pull up/down resistor * 8 | |
| | $\overline{HKS}=0$ | | - | 10 | 30 | | |
| $\overline{HKS}, \overline{HFI}$ & DRING pins: input voltage | | V_{iH} | $0.8V_{DD}$ | - | V_{DD} | V | |
| | | V_{iL} | V_{SS} | - | $0.2V_{DD}$ | | |
| \overline{Xmute} pin : Schmitt triggers (input pin) | | V_{H-L} | V_{SS} | - | $0.3V_{DD}$ | V | at idle state |
| | | V_{L-H} | $0.7V_{DD}$ | - | V_{DD} | | |
| HFO & HDO pins source current | | I_{oH} | 0.2 | - | - | mA | $V_o = 2.0 V$ |
| $\overline{PO}, \overline{HFO}, \overline{XMUTE}, \overline{RMUTE}$ & SDO pins: sink current | | I_{oL} | -0.2 | - | - | mA | $V_o = 0.5 V$ |
| $\overline{PO}, \overline{XMUTE}, \overline{RMUTE}$ and SDO pins: leakage current | | I_{oH} | - | - | 0.01 | uA | $V_o = V_{DD}$ |
| \overline{HFI} pin input resistance | | R_{hfi} | - | 200 | - | K Ω | $V_{hfi} = V_{SS}$ |
| Keyboard scanning pins output current (except COL4/KT) | | I_{oH} | 2 | 10 | 50 | uA | $V_{ksn}=V_{SS}$ |
| | | I_{oL} | 200 | 400 | 800 | μA | $ksn=V_{DD}$ |
| COL4/KT source current sink current | | I_{oH} | 0.2 | - | - | mA | $V_o=2.0V$ |
| | | I_{oL} | 0.2 | - | - | mA | $V_o=0.5V$ |
| DTMF pin: sink current | | I_{oL} | -0.2 | - | - | mA | $V_{dtmf} = 0.5 V$ |
| DTMF signal DC level | | Vdc | 0.5 | - | 0.75 | Vdd | $V_{DD} = 2.0V \sim 5.5V$ |
| DTMF signal: ac level pre-emphasis distortion load resistance | | V_{dtmf} | 142 | 160 | 180 | mVrms | Row group |
| | | Twist | 1 | 2 | 3 | dB | Column - Row |
| | | THD | - | -30 | -23 | dB | $Z_L = 5 K\Omega$ |
| | | Z_L | 5 | - | - | K Ω | THD < - 23dB |

$$\text{Distortion(dB)}=20 \log \left\{ \frac{[V_1^2+V_2^2+V_3^2 \dots +V_n^2]1/2}{[(V_L^2+V_H^2)1/2]} \right\}$$

V_L, V_H =ROW group and column group signal.

$V_1, V_2, V_3 \dots V_n$ = Harmonic signal (BW=300Hz~3500Hz)



AC ELECTRICAL CHARACTERISTIC

(Ambient temperature is 25°C, $V_{DD}=2.5V$ unless otherwise noted, all voltages referenced to V_{SS} , $F_{osc}=3.579545$ MHz)

| Parameter | Sym. | Min. | Typ. | Max. | Unit | Condition |
|--------------------------------------------|--------|------|-------|------|------|----------------------------------------------------|
| Keyboard debounce time | Tdb | - | 20 | - | ms | |
| Key tone signal: frequency duration | Fkt | - | 600 | - | Hz | |
| | Tkt | - | 30 | - | ms | |
| Pause time | Tp | - | 3.6 | - | sec. | |
| Pulse to Tone waiting time | Tpt | - | 3.6 | - | sec. | |
| Flash time | Tf | - | 600 | - | ms | Row3B, Row4B=NR, NR |
| | | - | 100 | - | | Row3B, Row4B=NR, R-V _{SS} |
| | | - | 80 | - | | Row3B, Row4B=R-V _{SS} , NR |
| | | - | 300 | - | | Row3B, Row4B=R-V _{SS} , R-V _{SS} |
| Pulse rate | PSR | - | 20 | - | pps | Row1 = R-V _{DD} |
| | | - | 10 | - | | Row1 = R-V _{SS} |
| Make/Break ratio | MBR | - | 40:60 | - | % | Row2 = NR |
| | | - | 33:66 | - | | Row2 = R-V _{SS} |
| Inter-digit pause time | Tidp | - | 800 | - | ms | PSR = 10 pps |
| | | - | 500 | - | | PSR = 20 pps |
| Minimum tone duration | Tp | 96 | 98 | 100 | | |
| Minimum inter-tone pause | Titp | 96 | 98 | 100 | ms | Memory dialing |
| HD key release hold function debounce time | Thdrdb | - | 93 | - | ms | |
| SDO bit time | Tbit | 3.8 | 3.9 | 4.1 | ms | |
| Off-Hook delay time | Tdly | - | 300 | - | ms | |

DTMF output frequency ($f_{osc} = 3.579545$ MHz)

| Keyboard scan pin | CCITT standard (Hz) | Actual output (Hz) | Deviation (%) |
|-------------------|---------------------|--------------------|---------------|
| ROW1 (f1) | 697 | 699.1 | 0.30 |
| ROW2 (f2) | 770 | 766.2 | 0.49 |
| ROW3 (f3) | 852 | 847.4 | -0.53 |
| ROW4 (f4) | 941 | 947.9 | 0.73 |
| COL1 (f5) | 1209 | 1215.8 | 0.56 |
| COL2 (f6) | 1336 | 1331.6 | -0.32 |
| COL3 (f7) | 1477 | 1471.8 | -0.35 |

TIMING DIAGRAM

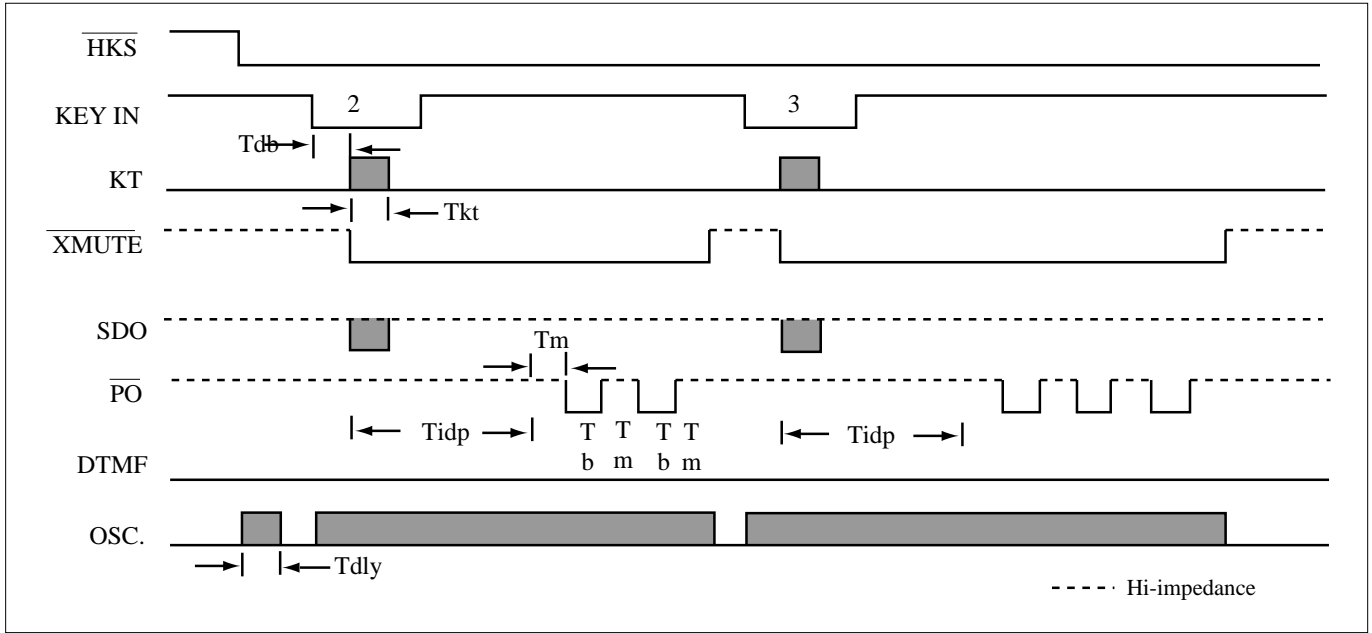


Figure 1. Pulse mode operating timing

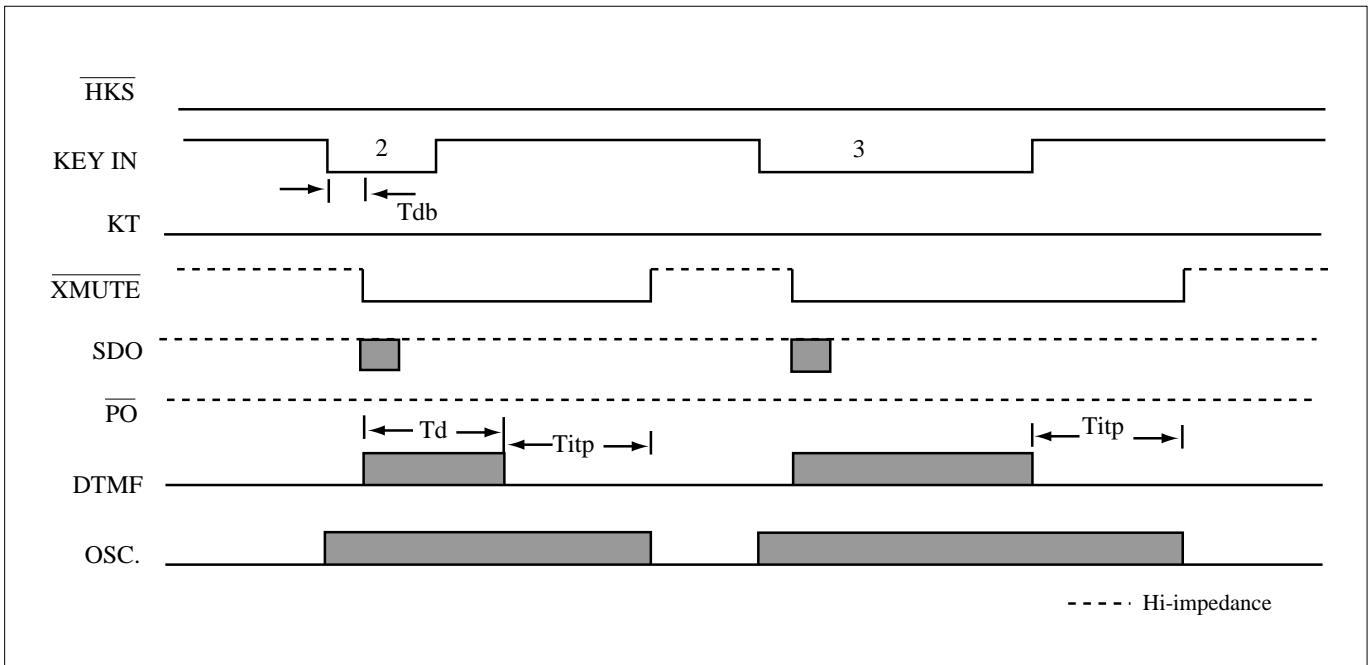


Figure 2. DTMF mode operating timing

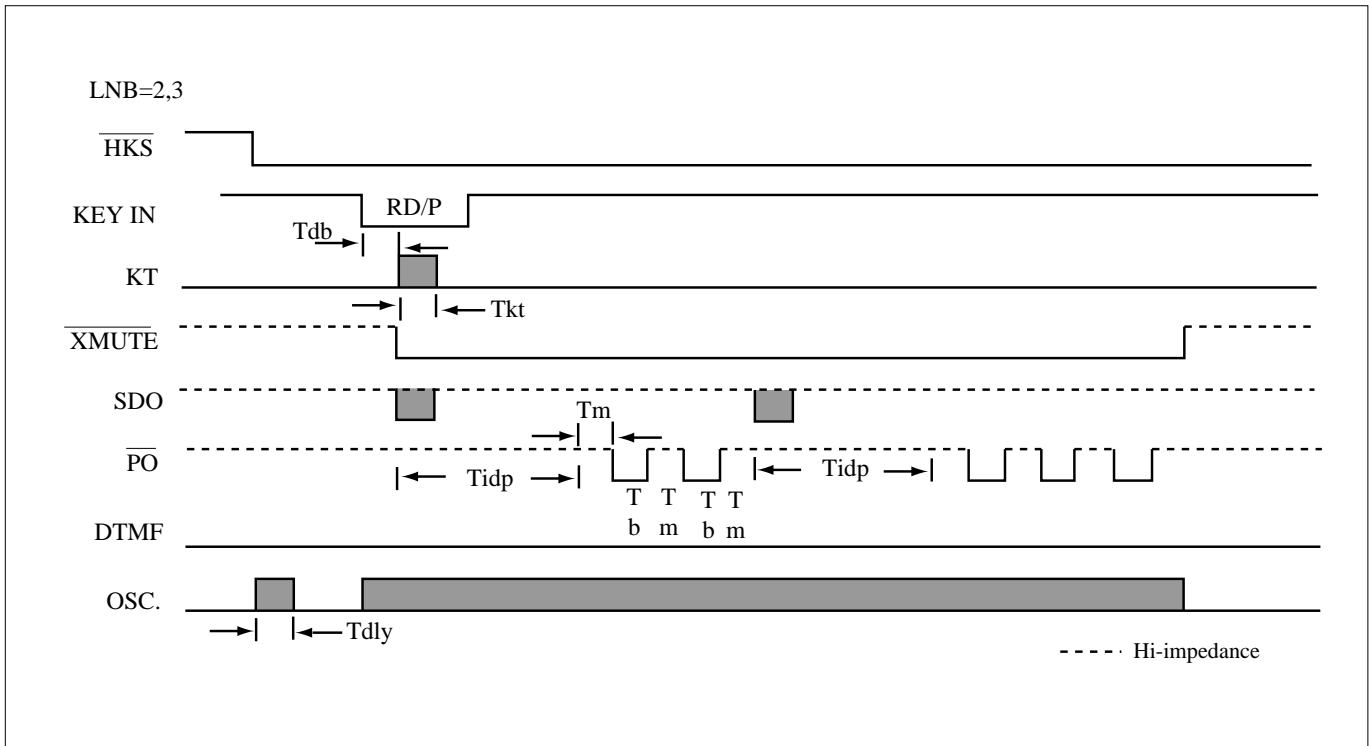


Figure 3. Pulse mode LNB redial timing

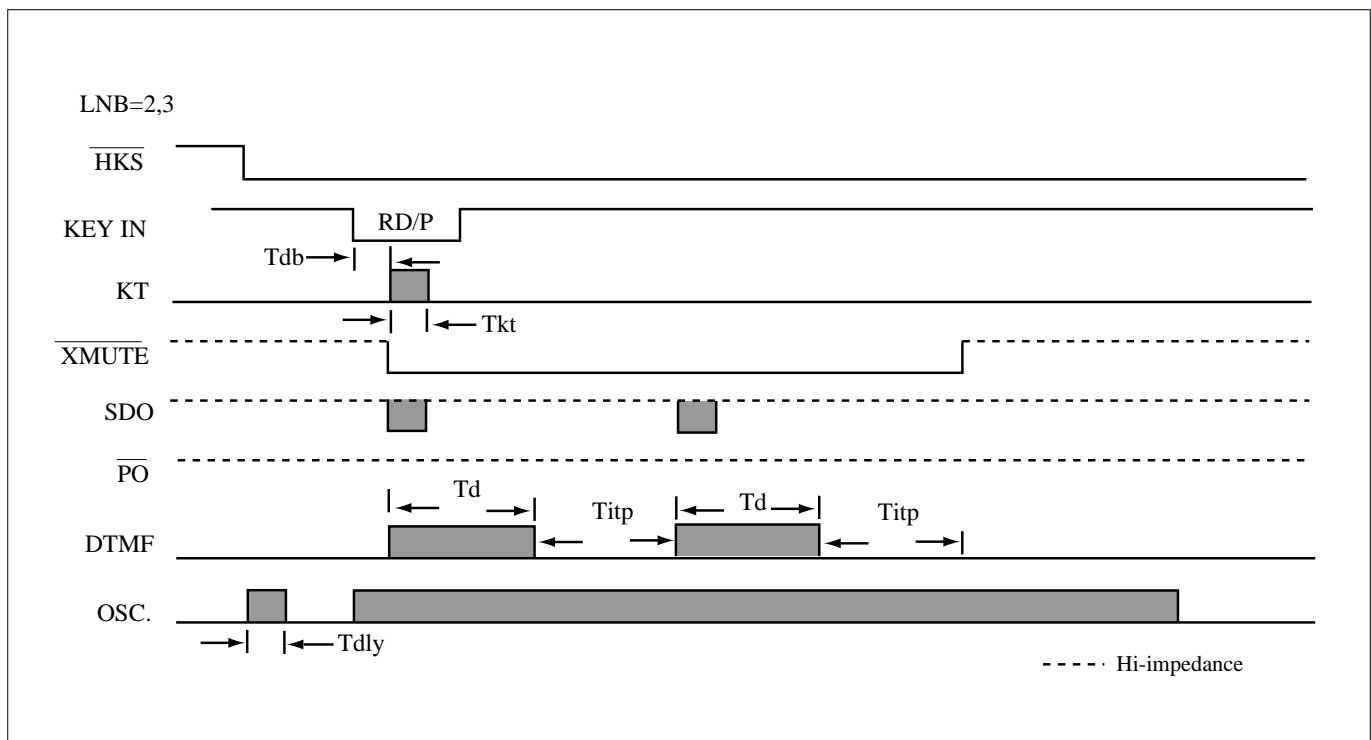


Figure 4. DTMF mode LNB redial timing

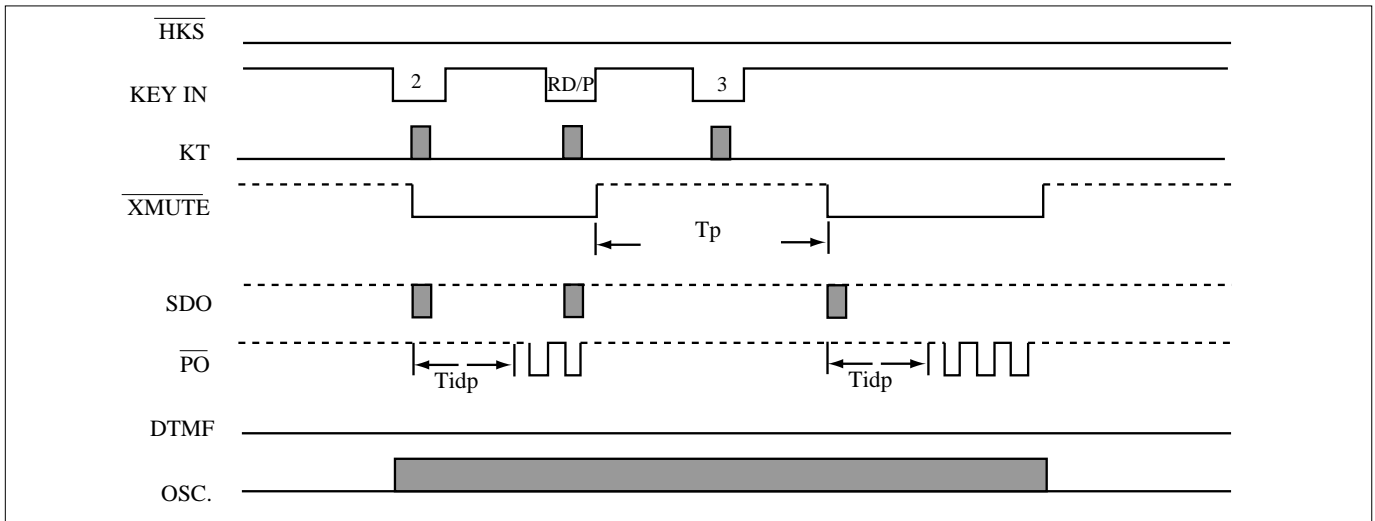


Figure 5. Pause key operating timing

----- Hi-impedance

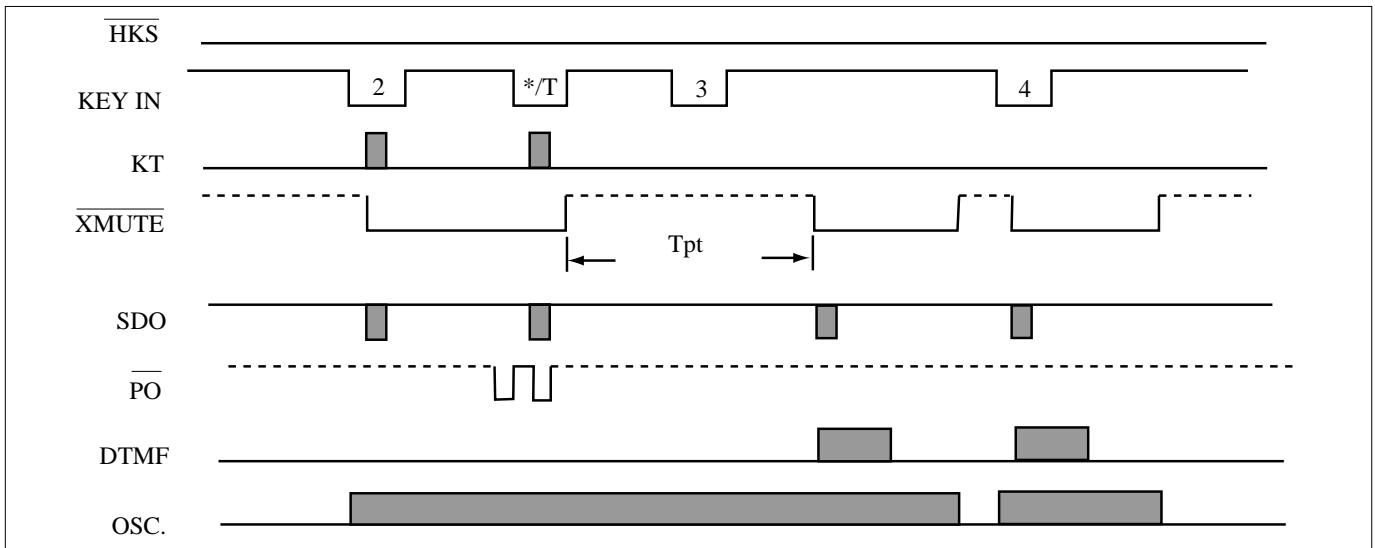


Figure 6. Pulse to Tone (P→T) operating timing

----- Hi-impedance

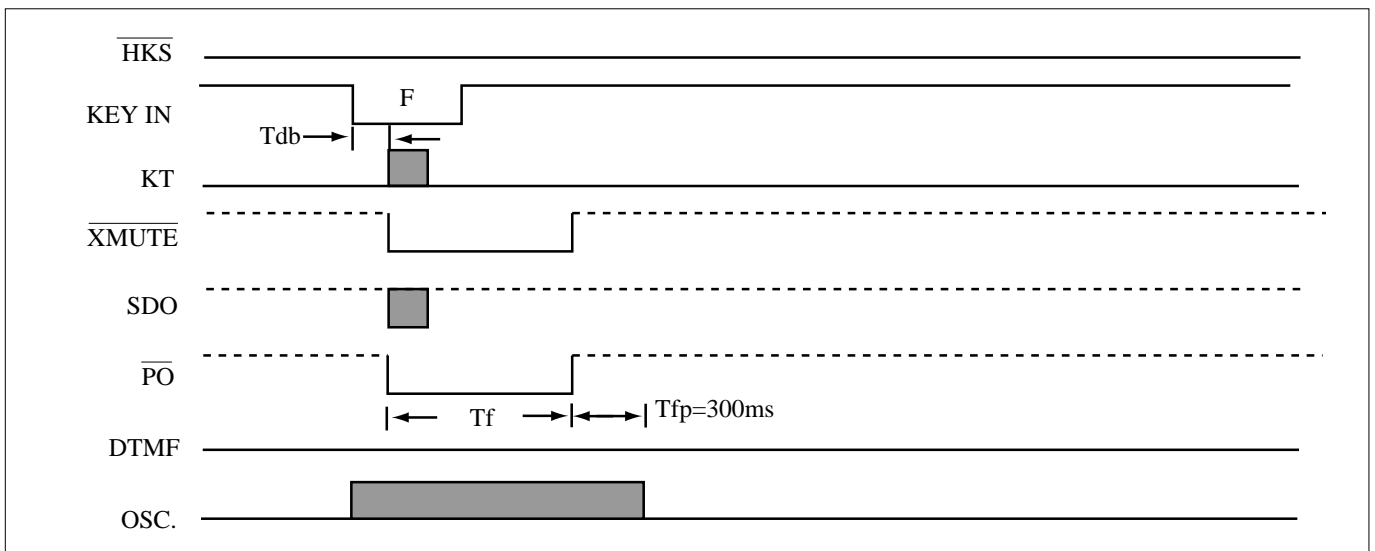
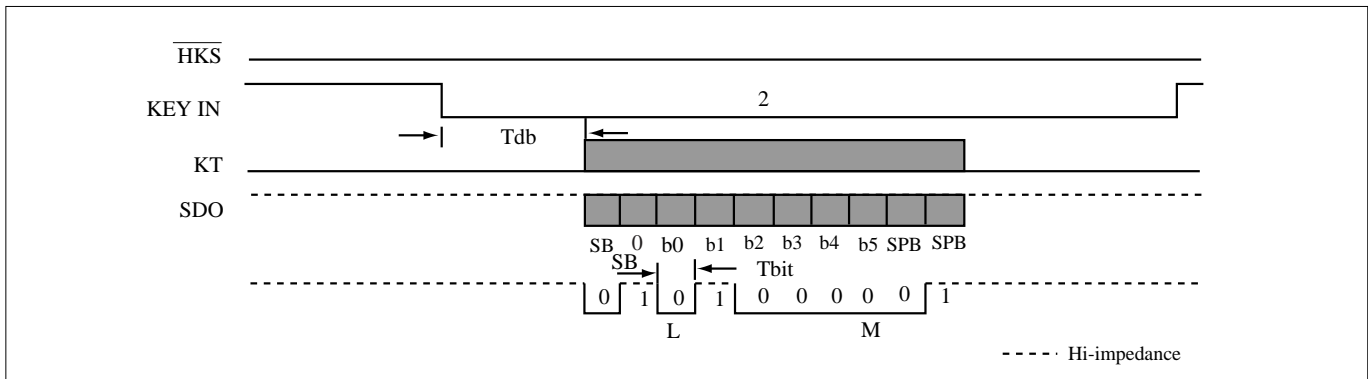
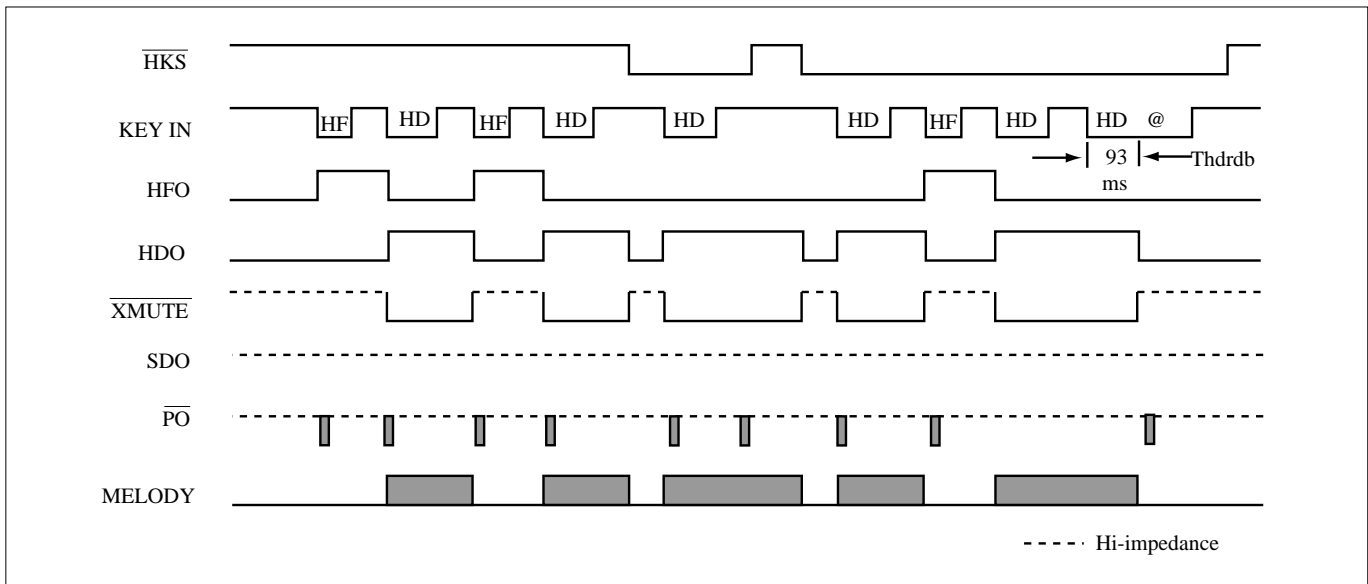


Figure 7. Flash key operating timing

----- Hi-impedance



<Note>L=Least significant bit,M=Most significant bit, SB=START bit, SPT=STOP bit
 Figure 8. SDO operating timing



@ : It can be triggered by extension telephone set for hold function release
 Figure 9. HF and HD operating timing

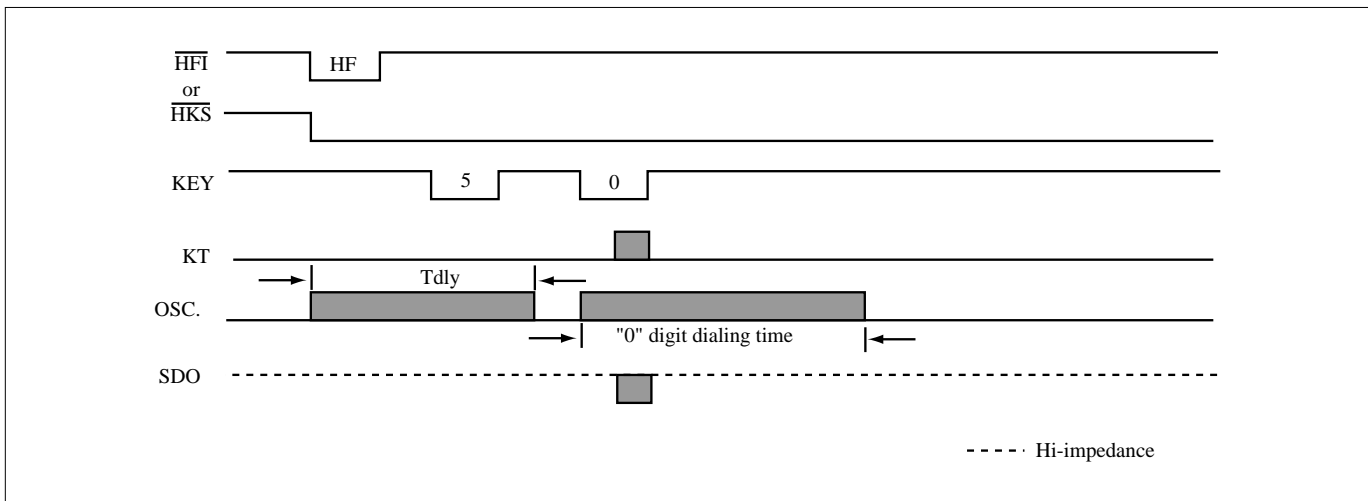


Figure 10. Off-Hook delay time

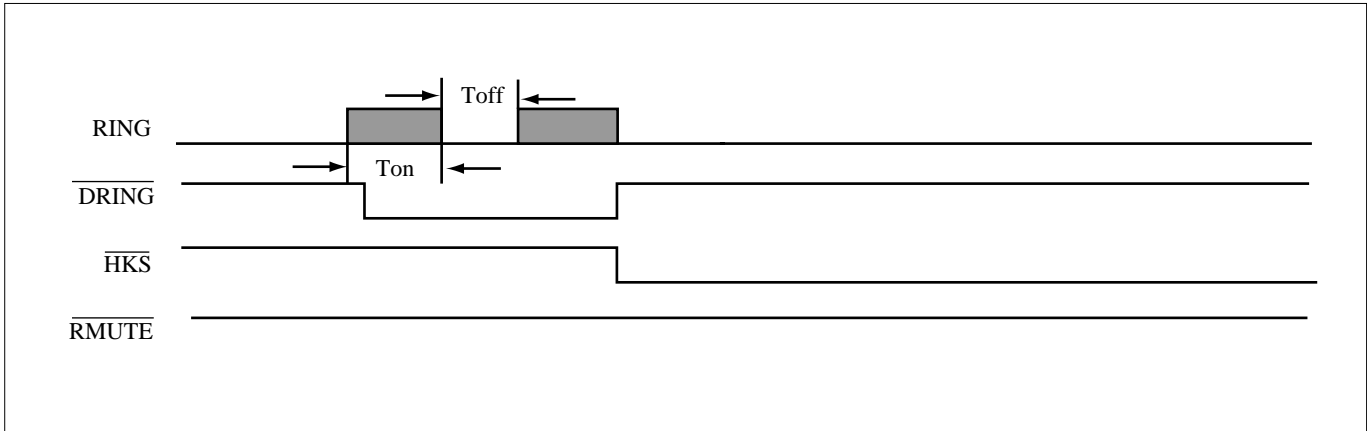


Figure 11. Timing of receiving an incoming call

* The external ring detection circuit must send a low signal at the total ring cycle (Ton and Toff)

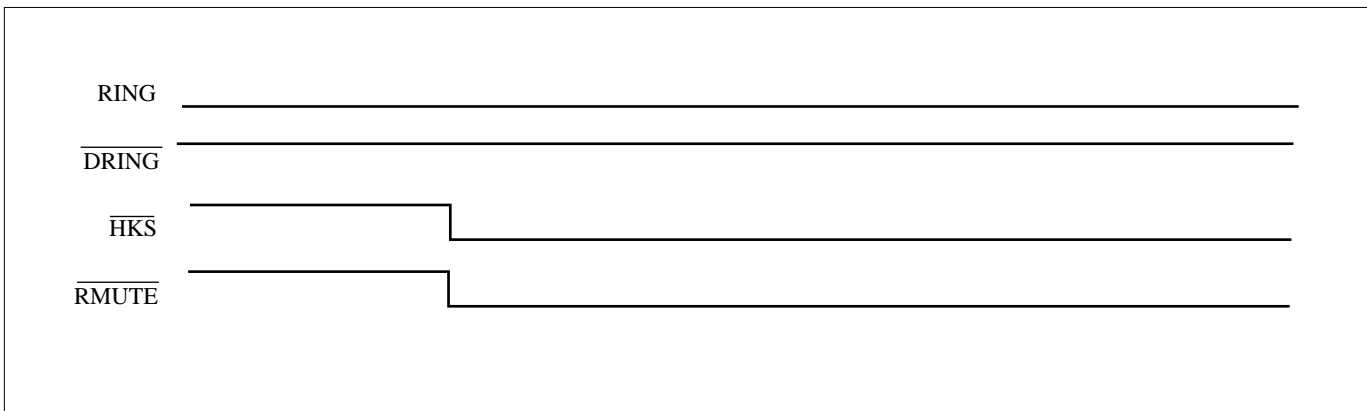
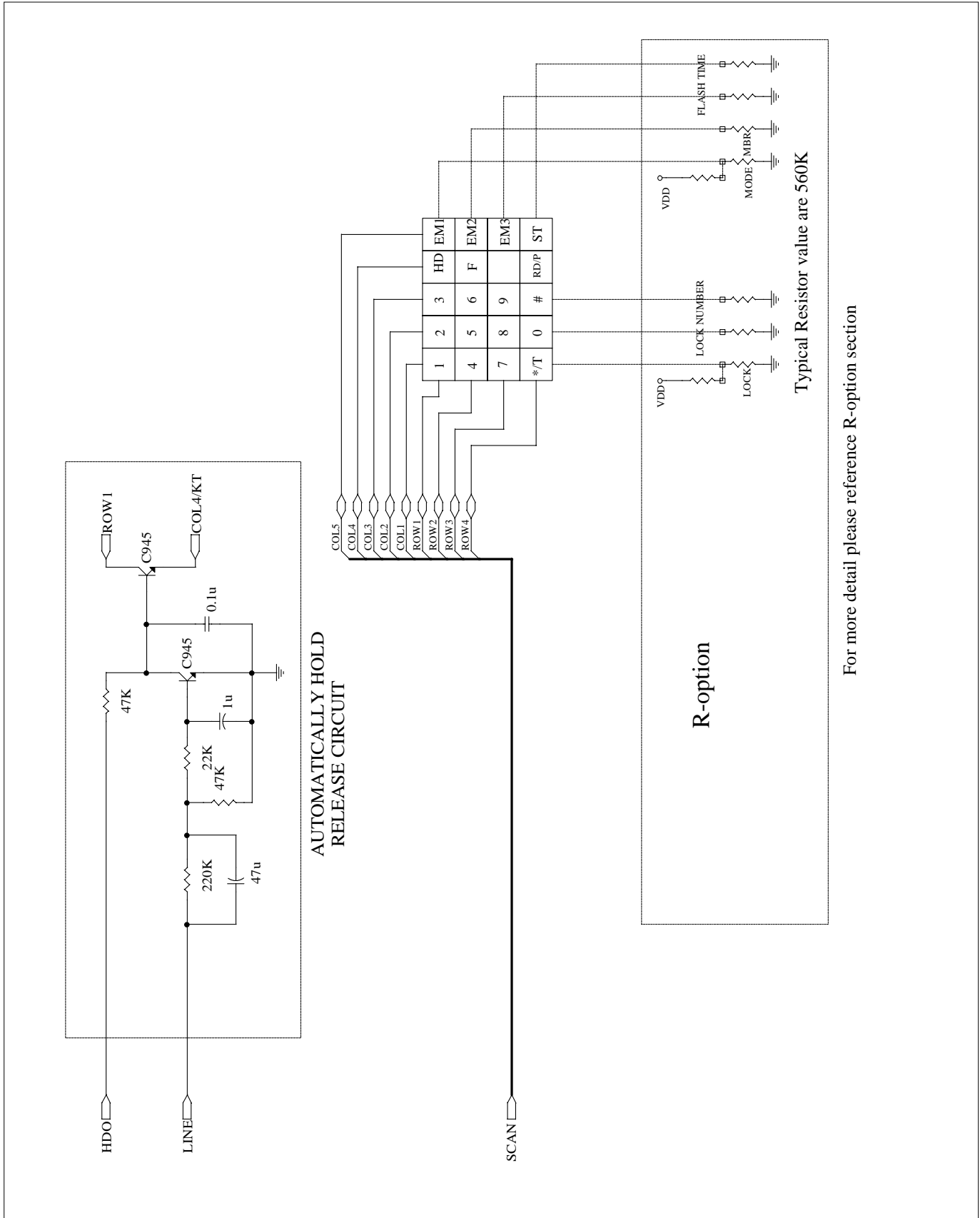


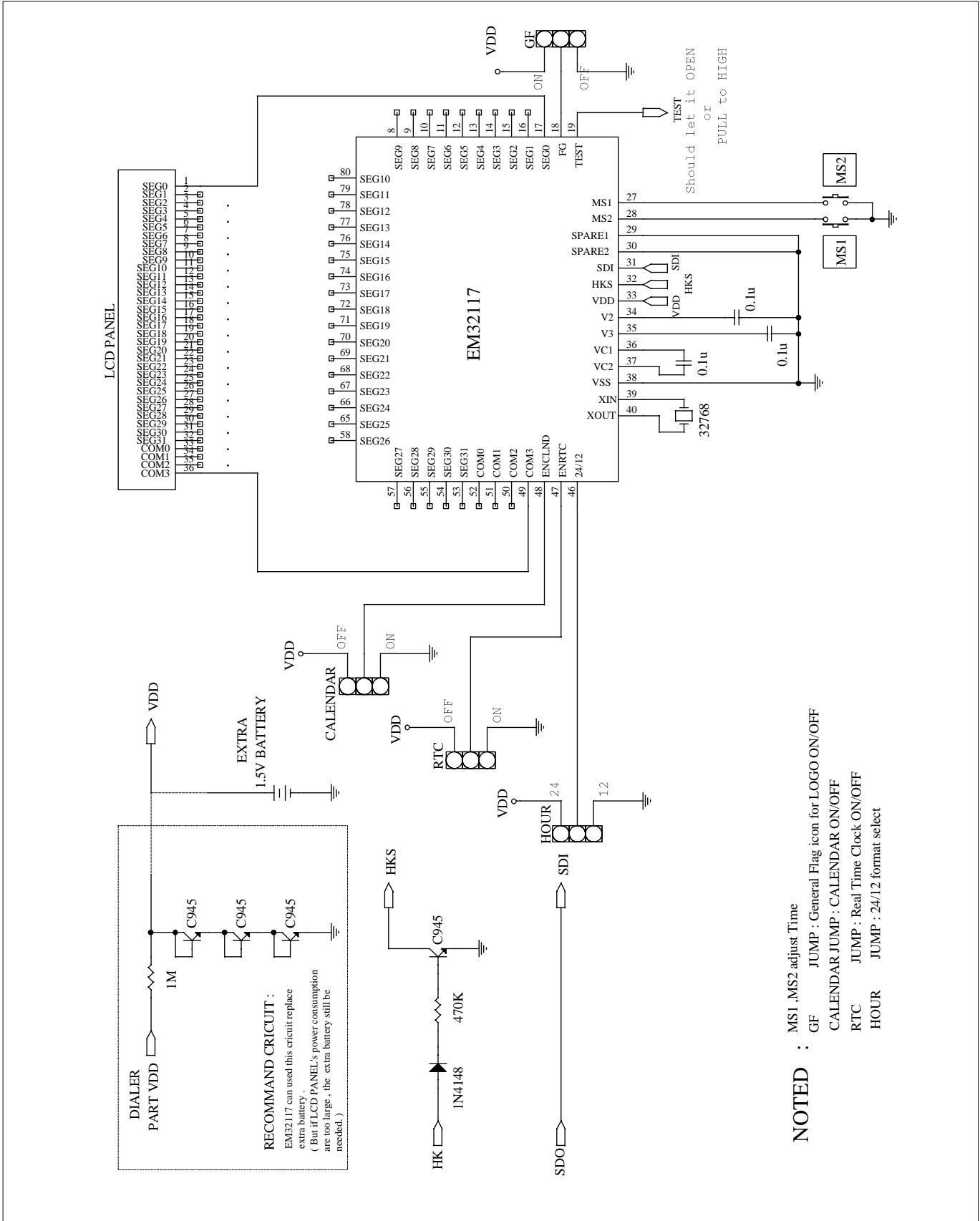
Figure 12. Timing of making an outgoing call

APPLICATION CIRCUIT : KEY BOARD AND HOLD



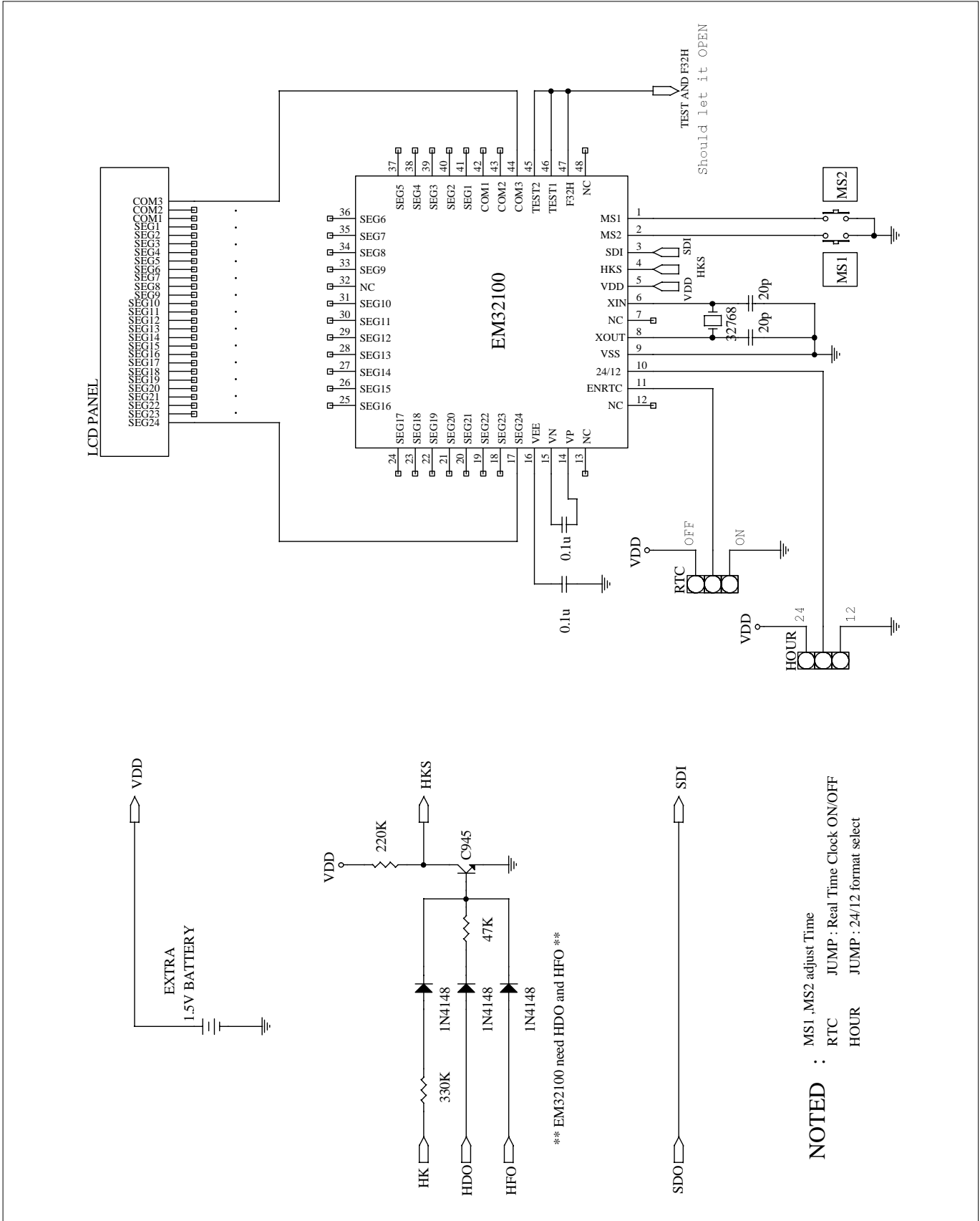
* This specification are subject to be changed without notice.

APPLICATION CIRCUIT : LCD DRIVER USE EM32117



* This specification are subject to be changed without notice.

APPLICATION CIRCUIT : LCD DRIVER USE EM32100



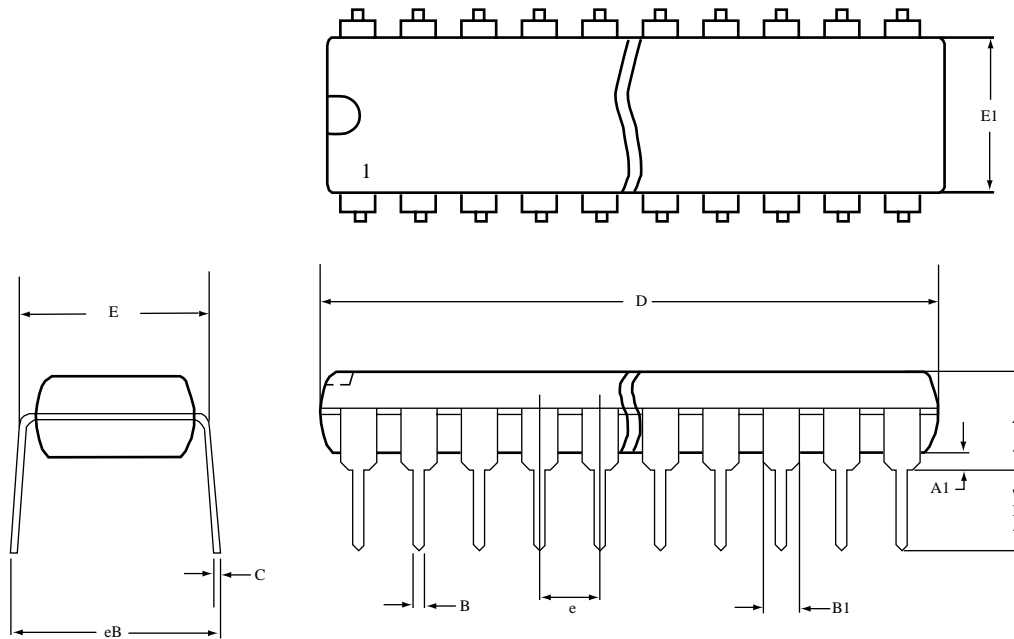
PACKAGE INFORMATION

Example :

EM 91455 P
 (1) (2) (3)

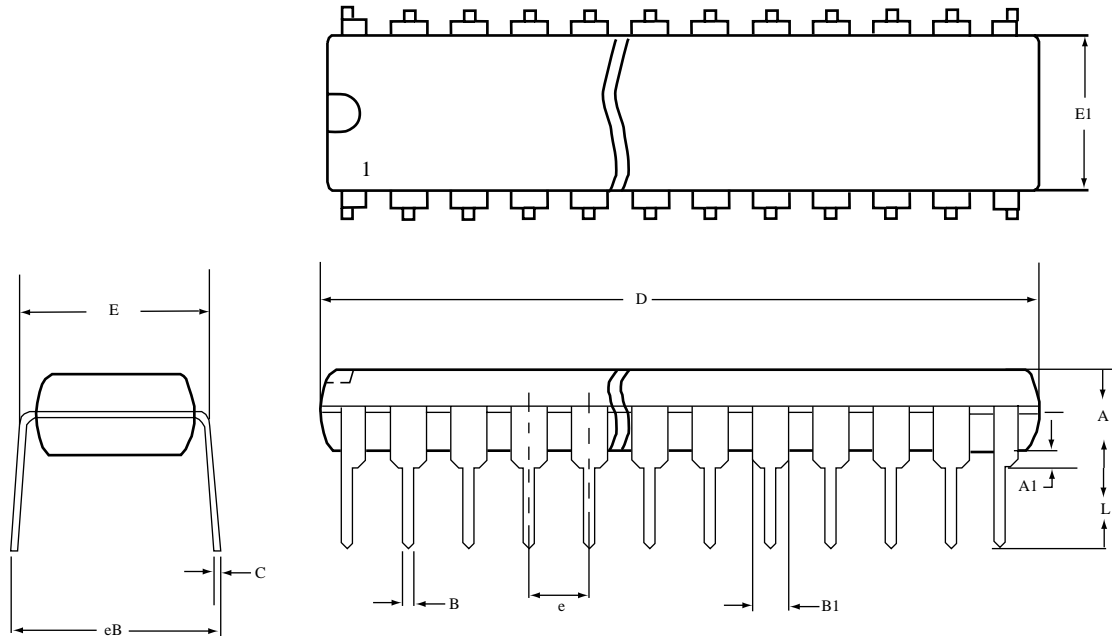
- (1) ELAN MICRO. prefix
- (2) Type number
- (3) Package code:
 P→PDIP
 K→Skinny
 R→SDIP

18/20/28 Lead Plastic Package



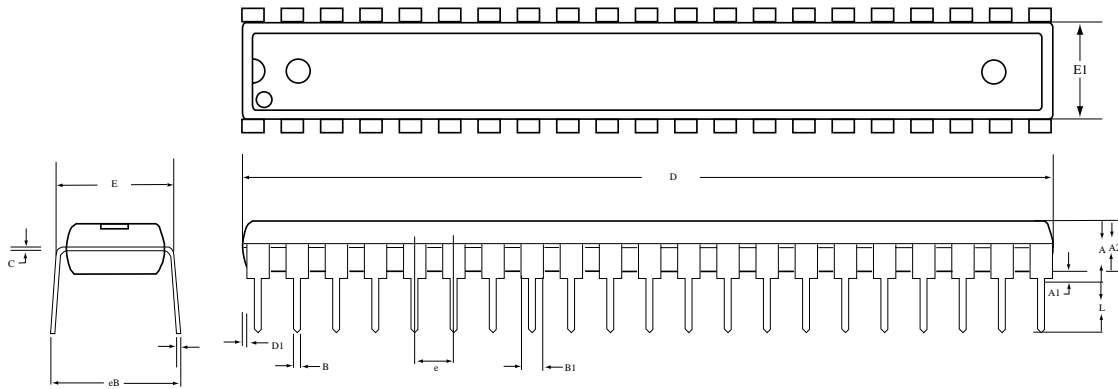
| 18 PDIP | | | | | 20 PDIP | | | | | 28 PDIP | | | | |
|---------|------------|-------|--------|------|---------|------------|-------|--------|-------|---------|------------|-------|--------|-------|
| DIM | MILIMETERS | | INCHES | | DIM | MILIMETERS | | INCHES | | DIM | MILIMETERS | | INCHES | |
| | MIN. | MAX. | MIN. | MAX. | | MIN. | MAX. | MIN. | MAX. | | MIN. | MAX. | MIN. | MAX. |
| A | - | 5.334 | - | .210 | A | - | 5.334 | - | .210 | A | - | 6.350 | - | .250 |
| A1 | 0.381 | - | .015 | - | A1 | 0.381 | - | .015 | - | A1 | 0.381 | - | .015 | - |
| B | 0.356 | 0.558 | .014 | .022 | B | 0.356 | 0.558 | .014 | .022 | B | 0.356 | 0.558 | .014 | .022 |
| B1 | 1.150 | 1.778 | .045 | .070 | B1 | 1.150 | 1.778 | .045 | .070 | B1 | 1.016 | 1.778 | .040 | .070 |
| C | 0.204 | 0.381 | .008 | .015 | C | 0.204 | 0.381 | .008 | .015 | C | 0.204 | 0.381 | .008 | .015 |
| D | 22.35 | 23.37 | .880 | .920 | D | 25.40 | 26.67 | 1.000 | 1.050 | D | 35.56 | 37.85 | 1.400 | 1.490 |
| E | 7.620 | 8.255 | .300 | .325 | E | 7.620 | 8.255 | .300 | .325 | E | 15.24 | 15.88 | .600 | .625 |
| E1 | 6.096 | 7.112 | .240 | .280 | E1 | 6.096 | 7.112 | .240 | .280 | E1 | 13.21 | 14.73 | .520 | .580 |
| e | 2.286 | 2.794 | .090 | .110 | e | 2.286 | 2.794 | .090 | .110 | e | 2.286 | 2.794 | .090 | .110 |
| eB | - | 10.92 | - | .430 | eB | - | 10.92 | - | .430 | eB | - | 17.78 | - | .700 |
| L | 2.921 | 4.064 | .115 | .160 | L | 2.921 | 4.064 | .115 | .160 | L | 2.921 | 5.080 | .115 | .200 |

22/24 Lead Plastic Package-Skinny



| 22 PDIP (skinny) | | | | | 24 PDIP (skinny) | | | | |
|------------------|------------|-------|--------|------|------------------|------------|-------|--------|-------|
| DIM | MILIMETERS | | INCHES | | DIM | MILIMETERS | | INCHES | |
| | MIN. | MAX. | MIN. | MAX. | | MIN. | MAX. | MIN. | MAX. |
| A | - | 4.752 | - | .180 | A | - | 4.572 | - | .180 |
| A1 | 0.381 | - | .015 | - | A1 | 0.381 | - | .015 | - |
| B | 0.356 | 0.558 | .014 | .022 | B | 0.356 | 0.558 | .014 | .022 |
| B1 | 1.27 | 1.778 | .050 | .070 | B1 | 1.27 | 1.778 | .050 | .070 |
| C | 0.204 | 3.556 | .008 | .014 | C | 0.204 | 0.381 | .008 | .015 |
| D | 25.90 | 26.67 | 1.02 | 1.05 | D | 31.24 | 32.26 | 1.23 | 1.270 |
| E | 7.620 | 8.255 | .300 | .325 | E | 7.620 | 8.255 | .300 | .325 |
| E1 | 6.223 | 6.604 | .245 | .260 | E1 | 6.223 | 6.731 | .245 | .265 |
| e | 2.286 | 2.794 | .090 | .110 | e | 2.286 | 2.794 | .090 | .110 |
| eB | 8.382 | 10.16 | .330 | .400 | eB | 8.636 | 9.652 | .340 | .380 |
| L | 2.921 | 4.064 | .115 | .160 | L | 2.921 | 4.064 | .115 | .160 |

42 SDIP Package



| 42 SDIP | | | | |
|---------|------------|-------|--------|-------|
| DIM | MILIMETERS | | INCHES | |
| | MIN. | MAX. | MIN. | MAX. |
| A | - | 5.08 | - | 0.200 |
| A1 | 0.381 | - | 0.015 | - |
| A2 | 3.937 | 4.191 | 0.155 | 0.165 |
| B | 0.356 | 0.559 | 0.014 | 0.022 |
| B1 | 0.914 | 1.116 | 0.036 | 0.044 |
| C | 0.204 | 0.304 | 0.008 | 0.012 |
| D | 36.70 | 37.34 | 1.445 | 1.470 |
| E1 | 13.84 | 14.10 | 0.545 | 0.555 |
| e | 1.727 | 1.829 | 0.068 | 0.072 |
| eB | 15.24 | 17.78 | 0.600 | 0.70 |
| D1 | 0 | 0.127 | 0 | 0.005 |
| L | 2.921 | 3.429 | 0.115 | 0.135 |