

Designing Crystal Oscillators with Modern CMOS Gates

Prepared by: Fred Zlotnick
Applications Manager



ON Semiconductor™

<http://onsemi.com>

APPLICATION NOTE

INTRODUCTION

Designing a crystal oscillator with modern CMOS gates is difficult with the limited information available. The designer has many families to choose from: 4000 series, HCMOS, LCX, and VHC, for starters. The selection of the logic family depends on the system voltage and frequency of operation.

Designing a crystal oscillator using gates instead of buying a pre-packaged device that includes all the active components provides the following benefits:

- Save Money
- Control the Parameters that are Critical to the Design

In order to save money, the designer has to be willing to undertake the design and understand the tradeoffs. By doing this, he also is able to take control of critical parameters such as frequency, accuracy, and stability.

This article will only be concerned with the fundamental mode operation. Today's crystals can be purchased with fundamental modes up to about 30 MHz. These techniques also work well for ceramic resonators.

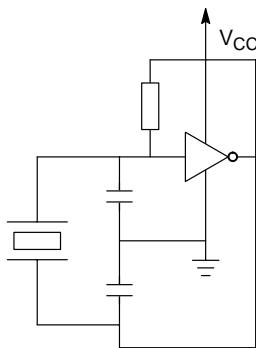


Figure 1. Crystal Oscillator Using Unbuffered CMOS Gate

Theory of operation: in nearly all cases, using a gate as an oscillator entails causing the gate to go into class “A” or biased between the on and off state. This is accomplished by placing a large resistor, between 10 and 20 MΩ from the output to the input. The mode of operation is the “Pierce” crystal oscillator (Amateur Radio Handbook, 1968).

This circuit can be considered a grounded source transistor, with Capacitors to ground. The input (gate) and output (drain) are “floating.” This circuit has been around in vacuum tube form for many years, and is just a modern version of the circuit. To implement this circuit, an “unbuffered” inverter is usually used (see Figure 1). Devices such as the MC74VHCU04 or MC74LCXU04, available from ON Semiconductor, will provide stable operation from below 1 MHz to above 20 MHz, from 2–5 volts operation. Since there are six active inverters in each 14-pin package, the designer is encouraged to use at least one of the devices as a buffer. The unbuffered gate, such as a VHCU04, contains just one P-Channel, and one N-Channel device. Since there is just one complementary pair, this is only one transistor gate delay. These devices are fabricated in 0.6μ CMOS and have significant Class A gain for any crystal application up to 100 MHz or more. If the designer needs a circuit to operate between 7 and 18 volts, the MC14049UB from the 4000 series of Metal Gate CMOS makes a good choice. The designer has to be careful not to make demands on the circuit that exceed the maximum frequency capabilities of this family (~ 4–10 MHz).

In all cases, the designer needs to be aware that it is possible to damage the crystal with over-active excitation. By using the unbuffered inverters and a series resistor (see Figure 2), in the VHC or Metal gate series, the designer can be confident that there will not be too much drive. A test to determine whether appropriate drive is being obtained is described in the High-Speed CMOS Data book, DL129/D. The designer builds a prototype of the circuit and applies V_{CC} through a variable supply. If the frequency shifts very slightly higher when the supply voltage is varied, the design is valid. If the frequency decreases or becomes unstable, a resistor should be added to the circuit.

AND8053/D

The above circuit will serve as a good starting point for a design. The capacitor values may need to be altered to suit the crystal. It is also possible to use standard (buffered inverters) and NAND, or NOR gates. With the NAND gate, tie the unused input high; with the NOR gate, tie it low. Remember to tie off all unused input, high or low (it doesn't matter).

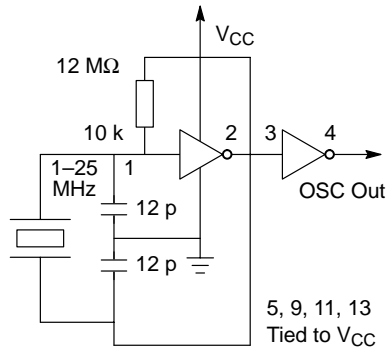



Figure 2. Complete Crystal Oscillator Circuit

ON Semiconductor and  are trademarks of Semiconductor Components Industries, LLC (SCILLC). SCILLC reserves the right to make changes without further notice to any products herein. SCILLC makes no warranty, representation or guarantee regarding the suitability of its products for any particular purpose, nor does SCILLC assume any liability arising out of the application or use of any product or circuit, and specifically disclaims any and all liability, including without limitation special, consequential or incidental damages. "Typical" parameters which may be provided in SCILLC data sheets and/or specifications can and do vary in different applications and actual performance may vary over time. All operating parameters, including "Typicals" must be validated for each customer application by customer's technical experts. SCILLC does not convey any license under its patent rights nor the rights of others. SCILLC products are not designed, intended, or authorized for use as components in systems intended for surgical implant into the body, or other applications intended to support or sustain life, or for any other application in which the failure of the SCILLC product could create a situation where personal injury or death may occur. Should Buyer purchase or use SCILLC products for any such unintended or unauthorized application, Buyer shall indemnify and hold SCILLC and its officers, employees, subsidiaries, affiliates, and distributors harmless against all claims, costs, damages, and expenses, and reasonable attorney fees arising out of, directly or indirectly, any claim of personal injury or death associated with such unintended or unauthorized use, even if such claim alleges that SCILLC was negligent regarding the design or manufacture of the part. SCILLC is an Equal Opportunity/Affirmative Action Employer.

PUBLICATION ORDERING INFORMATION

NORTH AMERICA Literature Fulfillment:

Literature Distribution Center for ON Semiconductor
P.O. Box 5163, Denver, Colorado 80217 USA
Phone: 303-675-2175 or 800-344-3860 Toll Free USA/Canada
Fax: 303-675-2176 or 800-344-3867 Toll Free USA/Canada
Email: ONlit@hibbertco.com
Fax Response Line: 303-675-2167 or 800-344-3810 Toll Free USA/Canada

N. American Technical Support: 800-282-9855 Toll Free USA/Canada

EUROPE: LDC for ON Semiconductor – European Support

German Phone: (+1) 303-308-7140 (Mon-Fri 2:30pm to 7:00pm CET)
Email: ONlit-german@hibbertco.com
French Phone: (+1) 303-308-7141 (Mon-Fri 2:00pm to 7:00pm CET)
Email: ONlit-french@hibbertco.com
English Phone: (+1) 303-308-7142 (Mon-Fri 12:00pm to 5:00pm GMT)
Email: ONlit@hibbertco.com

EUROPEAN TOLL-FREE ACCESS*: 00-800-4422-3781

*Available from Germany, France, Italy, UK, Ireland

CENTRAL/SOUTH AMERICA:

Spanish Phone: 303-308-7143 (Mon-Fri 8:00am to 5:00pm MST)
Email: ONlit-spanish@hibbertco.com
Toll-Free from Mexico: Dial 01-800-288-2872 for Access –
then Dial 866-297-9322

ASIA/PACIFIC: LDC for ON Semiconductor – Asia Support

Phone: 303-675-2121 (Tue-Fri 9:00am to 1:00pm, Hong Kong Time)
Toll Free from Hong Kong & Singapore:
001-800-4422-3781
Email: ONlit-asia@hibbertco.com

JAPAN: ON Semiconductor, Japan Customer Focus Center
4-32-1 Nishi-Gotanda, Shinagawa-ku, Tokyo, Japan 141-0031
Phone: 81-3-5740-2700
Email: r14525@onsemi.com

ON Semiconductor Website: <http://onsemi.com>

For additional information, please contact your local Sales Representative.