

# 1.25mm (0.049") PITCH CONNECTOR

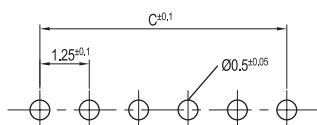
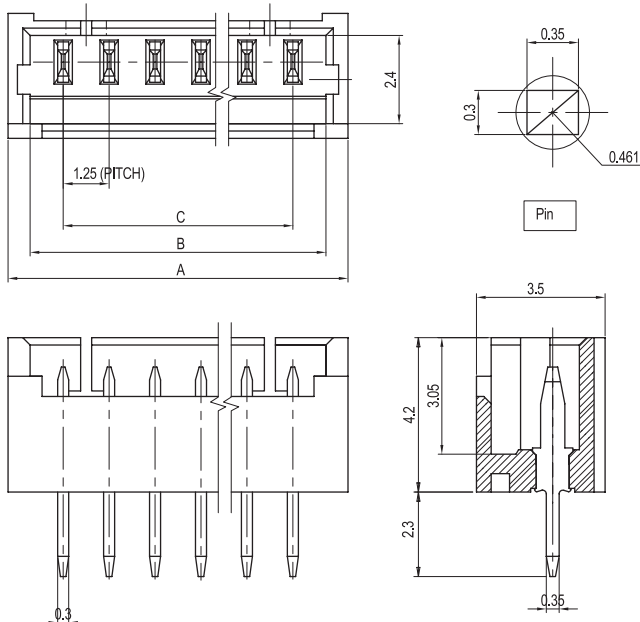
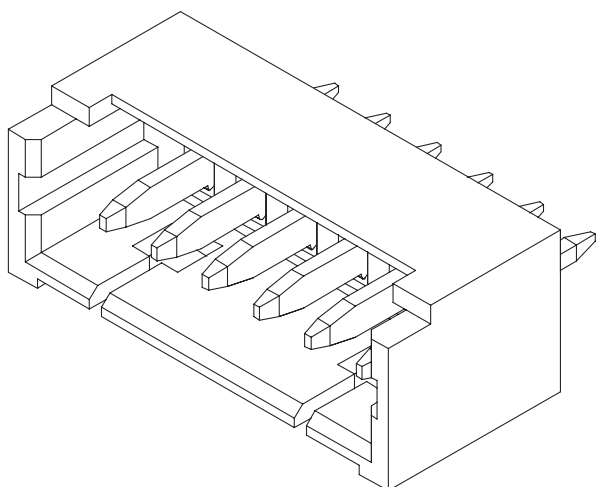


Wire-to-Board  
Wafer

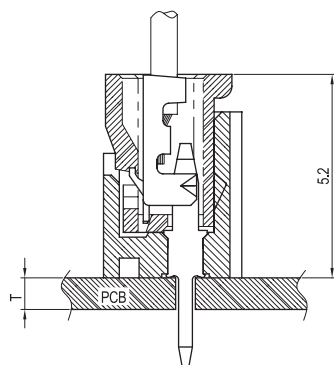
12512WS Series

DIP

Straight



PCB LAYOUT



PCB ASS'Y

## Material

I/NO	DESCRIPTION	TITLE	MATERIAL
1	WAFER	12512WS	PA46 or PA6T, UL 94V Grade
2	PIN	12512PS	Brass & Tin Plated

## Available Pin

PARTS NO.	A	B	C
12512WS-02A00	4.25	3.05	1.25
12512WS-03A00	5.50	4.30	2.50
12512WS-04A00	6.75	5.55	3.75
12512WS-05A00	8.00	6.80	5.00
12512WS-06A00	9.25	8.05	6.25
12512WS-07A00	10.50	9.30	7.50
12512WS-08A00	11.75	10.55	8.75
12512WS-09A00	13.00	11.80	10.00
12512WS-10A00	14.25	13.05	11.25
12512WS-11A00	15.50	14.30	12.50
12512WS-12A00	16.75	15.55	13.75
12512WS-13A00	18.00	16.80	15.00
12512WS-14A00	19.25	18.05	16.25
12512WS-15A00	20.50	19.30	17.50

## Specification

ITEM	SPEC
Voltage Rating	AC/DC 125V
Current Rating	AC/DC 1A
Operating Temperature	-25°C~+85°C
Contact Resistance	30mΩ MAX
Withstanding Voltage	AC250V/1min
Insulation Resistance	100MΩ MIN
Applicable Wire	-
Applicable P.C.B	1.2~1.6mm
Applicable FPC/FFC	-
Solder Height	-
Crimp Tensile Strength	-
UL FILE NO	-

Application Housing : 12505HS (31 page)