



## Integrated Interface Circuits

### ULC Technology:

High-performance gate array package using dual metal layer CMOS technology, featuring sub-micron channel length (0.8  $\mu\text{m}$ )

### Description

The TOIM300 IC provides the proper timing for the front-end infrared transceivers of the 3000- and 4000-series, as specified by the IrDA standard. In the transmit mode, the TOIM3xxx provides IrDA compatible pulse shaping of the electrical pulses to the infrared transceiver. In the receive mode, the TOIM3000 stretches the received infrared pulses to the proper bit width at the operating bit rate. The IrDA bit rate varies between 2.4 kbit/s to 115.2 kbit/s.

For the UART interface, the TOIM3000 uses the 1.8432 MHz clock input as the fast clock and the baud clock output from the UART to do the pulse stretching and shortening. The baud clock is 16 times the baud rate. The output pulses are fixed at 1.627  $\mu\text{s}$  or 3/16 of bit time.

The typical power consumption of both circuits is very low with about 10 mW in operational state and in the order of microwatts in standby mode.

### Features

- Pulse shaping function (shortening and stretching) used in infrared IrDA standard applications
- Directly interfaces the infrared transceivers of the 3000 and 4000 series to a UART or a micro-controller
- 3 V and 5 V operation
- Low operating current
- SO16L package

### Block Diagram

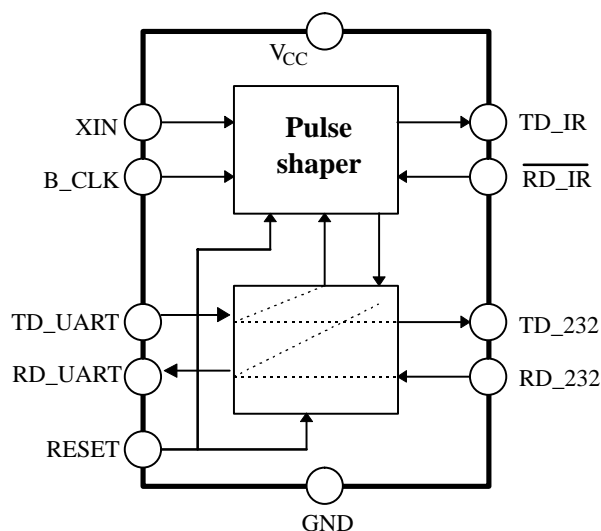


Figure 1. Block diagram

## Pin Assignment and Description

Pin	Symbol	Function	I/O	Active
1	RESET	Resets all internal registers. Initially must be HIGH to reset internal registers. When LOW, the TOIM3000 connects the UART to the IrDA transceiver. Data from the UART are transmitted by the infrared transmitter. Data received from the infrared receiver is routed to the UART. When HIGH, the TOIM3000 connects the UART to the RS232 port. Minimum hold time for reset is 1 $\mu$ s.	I	
2	RD_UART	Data channel, output to the UART	O	LOW
3	TD_UART	Data out channel, data input from the UART to be transmitted	I	LOW
4	B_CLK	16 times baud rate clock, input from the UART (Baudout)	I	
5	XIN	Oscillator input, 1.8432 MHz clock (to be connected to Xout pin of the UART)	I	
6	NC	Not connected		
7	NC	Not connected		
8	GND	Ground in common with the UART and RS232 port		
9	S0	Must be connected to GND	I	
10	S1	Must be connected to GND for output pulse length of 1.627 $\mu$ s, Connected to $V_{CC}$ for pulse length of 3/16 of bit <sup>*)</sup>	I	
11	TD_232	Transmit data input from the RS232 port, TXD pin	I	LOW
12	RD_232	Receive data output to the RS232 port, RXD pin	O	LOW
13	NC	Not connected		
14	TD_IR	Data output to infrared transmitter (e.g., TFDS4000)	O	HIGH
15	RD_IR	Data receive input from the infrared transmitter (e.g., TFDS4000)	I	LOW
16	$V_{CC}$	Supply voltage		

\*) The use of a pulse length of 3/16 of bit duration is not recommended when both clocks, Xout and Baudout, of the UART are available.

## Operation Description

### Features of TOIM3000

The TOIM3000 uses 2 clocks from the UART: the 1.8432 MHz clock and the Baud\_out clock for its internal timing processing. Both are connected to XIN and B\_CLK, respectively. The B\_CLK is used as a reference for pulse stretching while XIN is taken as a time base for pulse shortening to 1.627  $\mu$ s and noise filtering.

### Single clock operation

TOIM3000 can be operated with only a single clock. In this case, the B\_CLK and XIN are tied together and connected to the Baudout pin of the UART. The pulse width is then shortened to 3/16 of the bit length and noise filtering is deactivated. S1 is to be connected to  $V_{CC}$  and S0 to GND.

**We strongly recommend not to use this mode because the 3/16 pulse length at lower bit rates consumes more power than the shorter pulse. At a baud rate of 9600 bit/s, the ratio of power consumption of both modes is a factor of 12 (!).**

The TOIM3000 interfaces additionally to an RS232 level converter through two pins, RD\_232 and TD\_232. These two pins provide the extra IR function that a single TOIM3000 IC can time share with both an infrared IrDA port and an RS232 port. Whenever RESET = 0, the TOIM3000 links to the infrared transceiver of the TFDS4000 series through RD\_IR and TD\_IR pins. On the other hand, when RESET = 1, the TOIM3000 links to the RS232 port through RD\_232 and TD\_232 pins (see figure 2).

## Absolute Maximum Ratings

Parameter	Symbol	Min.	Typ.	Max.	Unit
Supply voltage	$V_{CC}$	- 0.5		7	V
Input/ output voltage all pins		- 0.5		$V_{CC} + 0.5$	V
Output sinking current all pins	$I_{out}$	8			mA
Junction temperature	$T_j$			125	°C
Ambient temperature (operating)	$T_{amb}$	0		70	°C
Storage temperature	$T_{stg}$	- 25		85	°C
Soldering temperature $t = 20\text{ s @ } 215^\circ\text{C}$	$T_{sld}$		215	230	°C

## DC Characteristics

$V_{CC} = 5\text{ V} \pm 10\%$  \*\*, operating temperature  $0 \sim 70^\circ\text{C}$

Parameter	Test Conditions	Symbol	Min.	Typ.	Max.	Unit
Input HIGH voltage		$V_{IH}$	2.2			V
Input LOW voltage		$V_{IL}$			0.8	V
Schmitt trigger						
Positive threshold		$V_{T+}$	1.1			V
Negative threshold		$V_{T-}$			1.4	V
Input leakage No pull-up/ down	$V_{IN} = V_{DD}$ or GND	$I_L$		$\pm 1$	$\pm 5$	$\mu\text{A}$
Output HIGH voltage	$I_{OH} = -3.2\text{ mA}$	$V_{OH}$	2.4			V
Output LOW voltage	$I_{OL} = +3.2\text{ mA}$	$V_{OL}$			0.4	V
Current consumption						
Standby	Inputs grounded, no output load *)	$I_{SB}$			1	$\mu\text{A}$
Dynamic	$V_{CC} = 5\text{ V}, T = 25^\circ\text{C}$	$I_{DD}$		2		mA

\*\*) Operation at  $V_{CC} = 3\text{ V}$  is also specified. For data compare TEMIC Matra MHS ULC technology data sheet.

### Application

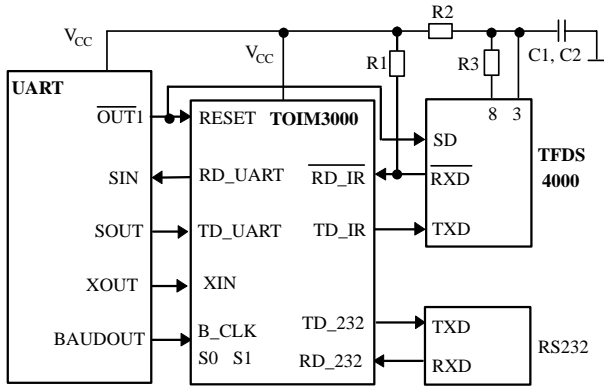


Figure 2. UART interface (built-in infrared port)

Figure 2 shows a typical example of a UART interface. As shown, XIN accepts the 1.8432 MHz input clock, and B\_CLK accepts the 16 times baud rate clock.

Set S1 = S0 = LOW ("0"). When RESET = 0, the TOIM3000 communicates with the infrared transceiver TFDS4000. On the other hand, if RESET = 1, the TOIM3000 communicates with the RS232 port.

R1 = 2.2 kΩ optional, only necessary when  $\overline{\text{RxD}}-\overline{\text{RD\_IR}}$  line is capacitive loaded, R2 = 100 Ω, R3 = 10 Ω, C1 = 6.8 μF and C2 = 0.1 μF. C1 and C2 are in parallel ( $V_{CC} = 5\text{ V}$ , in case of 3 V supply, value of R3 should be reduced (IrDA Design Guide)).

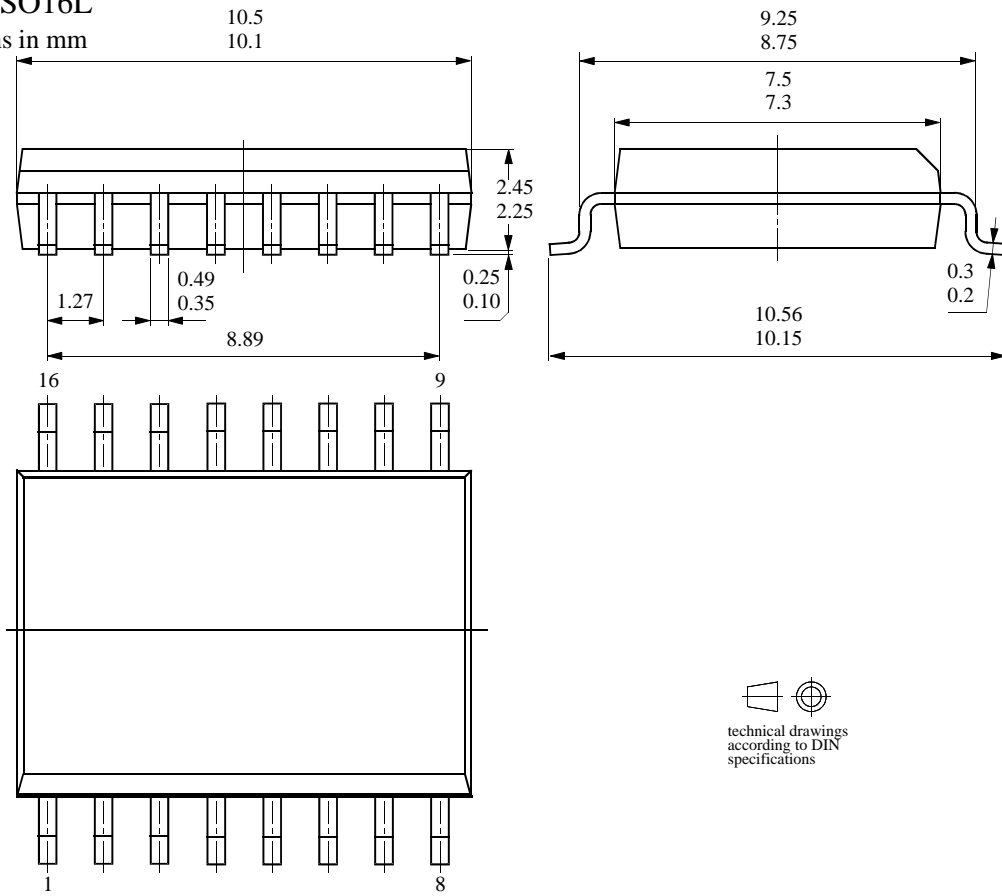
Table 1. Recommended Application Circuit Components

Component	Recommended Value	Vishay Part Number
C1	6.8 μF	293D 685X9 016B 2T
C2	0.1 μF	VJ 1206 Y 104 J XXMT
R1	2.2 kΩ	CRCW-1206-2201-F-RT1
R2	100 Ω	CRCW-1206-1000-F-RT1
R3	10 Ω	CRCW-1206-10R0-F-RT1

**Package Information**

Package SO16L

Dimensions in mm



technical drawings according to DIN specifications

13011



### Ozone Depleting Substances Policy Statement

It is the policy of **Vishay Semiconductor GmbH** to

1. Meet all present and future national and international statutory requirements.
2. Regularly and continuously improve the performance of our products, processes, distribution and operating systems with respect to their impact on the health and safety of our employees and the public, as well as their impact on the environment.

It is particular concern to control or eliminate releases of those substances into the atmosphere which are known as ozone depleting substances (ODSs).

The Montreal Protocol (1987) and its London Amendments (1990) intend to severely restrict the use of ODSs and forbid their use within the next ten years. Various national and international initiatives are pressing for an earlier ban on these substances.

**Vishay Semiconductor GmbH** has been able to use its policy of continuous improvements to eliminate the use of ODSs listed in the following documents.

1. Annex A, B and list of transitional substances of the Montreal Protocol and the London Amendments respectively
2. Class I and II ozone depleting substances in the Clean Air Act Amendments of 1990 by the Environmental Protection Agency (EPA) in the USA
3. Council Decision 88/540/EEC and 91/690/EEC Annex A, B and C (transitional substances) respectively.

**Vishay Semiconductor GmbH** can certify that our semiconductors are not manufactured with ozone depleting substances and do not contain such substances.

**We reserve the right to make changes to improve technical design and may do so without further notice.**

Parameters can vary in different applications. All operating parameters must be validated for each customer application by the customer. Should the buyer use Vishay Telefunken products for any unintended or unauthorized application, the buyer shall indemnify Vishay Telefunken against all claims, costs, damages, and expenses, arising out of, directly or indirectly, any claim of personal damage, injury or death associated with such unintended or unauthorized use.

Vishay Semiconductor GmbH, P.O.B. 3535, D-74025 Heilbronn, Germany  
Telephone: 49 (0) 7131 67 2831, Fax number: 49 (0) 7131 67 2423