

MF1042S-1

FOR GSM MOBILE TELEPHONE, Tx

MF1042S-1

DESCRIPTION

This SAW filter for the transmitting RF circuit of GSM mobile communication equipment operating at 890 MHz ~ 915 MHz.

FEATURES

1. SMD package insures small size, lightweight.
2. Adjustment free.
3. Low insertion loss and high stop band attenuation.
4. Wide and sharp passband characteristics.
5. High stability and reliability.
6. Designed for reflow solderings.

APPLICATION

- Mobile Cellular Telephone
- Portable Cellular Telephone
- Wireless equipment

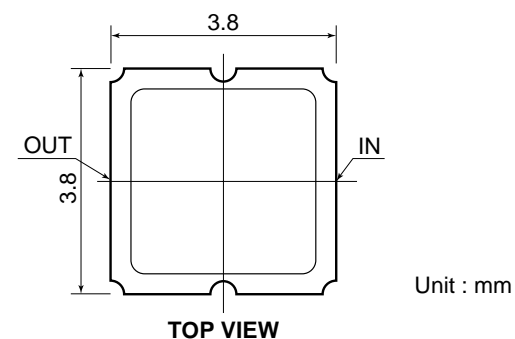
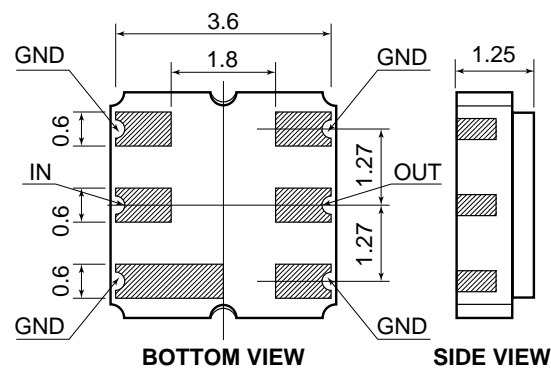
MAXIMUM RATINGS

Rating	Value	Unit
Input Power	50	mW
Operating Temperature Range	-20 to 75	°C
Storage Temperature Range	-30 to 85	°C

ELECTRICAL PERFORMANCE

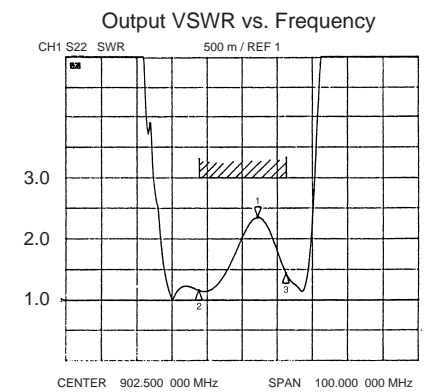
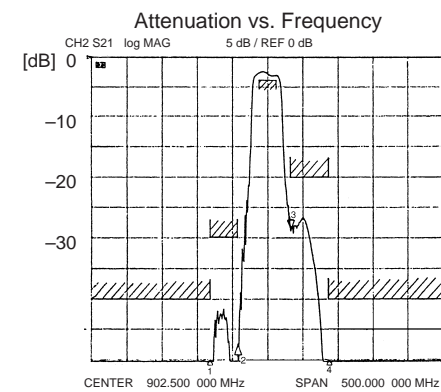
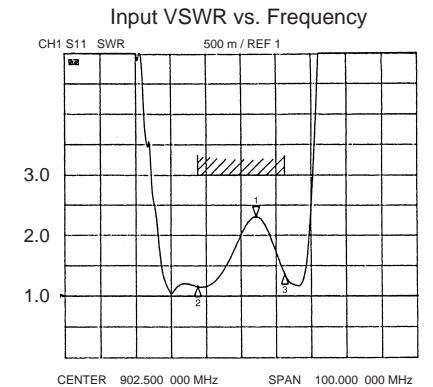
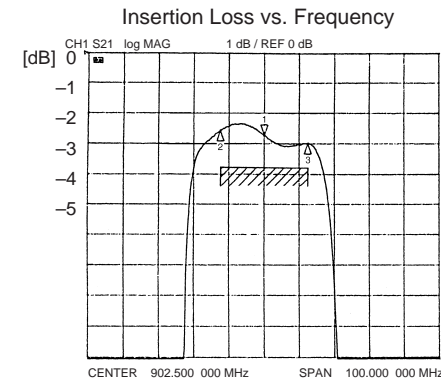
Parameter	MF1042S-1			Units
	Min	Typ	Max	
PASSBAND FREQUENCY	890 - 915			MHz
PASSBAND CHARACTERISTICS				
Insertion Loss		3.1	3.8	dB
Ripple		0.8	1.5	dBp-p
VSWR		2.0	3.0	
STOPBAND ATTENUATION				
0 - 820 MHz	40	40		dB
820 - 860 MHz	30	42		dB
935 - 990 MHz	20	27		dB
990 - 1200 MHz	40	50		dB

PACKAGE OUTLINE DIMENSIONS

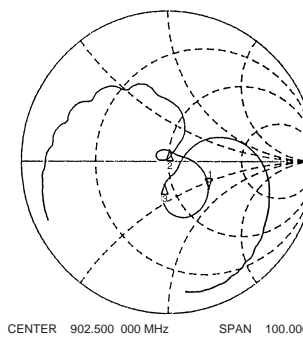


DIMENSIONS ARE IN MILLIMETERS
±0.2 UNLESS OTHERWISE SPECIFIED

MF1042S-1 TYPICAL CHARACTERISTICS

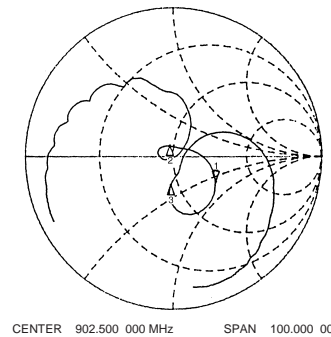


Input Reflection Coefficient vs. Frequency
CH1 S11 1 U FS



MARKER 1 : 902.5 MHz
MARKER 2 : 890 MHz
MARKER 3 : 915 MHz

Output Reflection Coefficient vs. Frequency
CH1 S22 1 U FS



MARKER 1 : 902.5 MHz
MARKER 2 : 890 MHz
MARKER 3 : 915 MHz

