

# MC78FC00 Series

## Advance Information

# Micropower Voltage Regulator

The MC78FC00 series voltage regulators are specifically designed for use as a power source for video instruments, handheld communication equipment, and battery powered equipment.

The MC78FC00 series voltage regulator ICs feature a high accuracy output voltage and ultra-low quiescent current. Each device contains a voltage reference unit, an error amplifier, a driver transistor, and resistors for setting output voltage, and a current limit circuit. These devices are available in SOT-89 surface mount packages, and allow construction of an efficient, constant voltage power supply circuit.

### MC78FC00 Series Features:

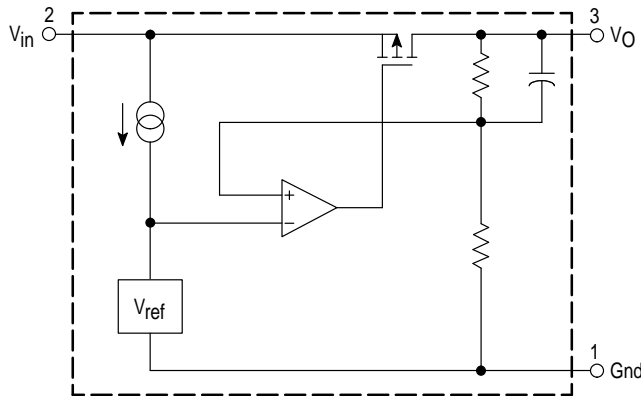
- Ultra-Low Quiescent Current of 1.1  $\mu\text{A}$  Typical
- Ultra-Low Dropout Voltage (100 mV at 10 mA)
- Large Output Current (up to 120 mA)
- Excellent Line Regulation (0.1%)
- Wide Operating Voltage Range (2.0 V to 10 V)
- High Accuracy Output Voltage ( $\pm 2.5\%$ )
- Wide Output Voltage Range (2.0 V to 6.0 V)
- Surface Mount Package (SOT-89)

### ORDERING INFORMATION

Device	Output Voltage	Operating Temperature Range	Package
MC78FC30HT1	3.0	$T_A = -30^\circ \text{ to } +80^\circ\text{C}$	SOT-89
MC78FC33HT1	3.3		
MC78FC40HT1	4.0		
MC78FC50HT1	5.0		

Other voltages from 2.0 to 6.0 V, in 0.1 V increments, are available upon request. Consult factory for information.

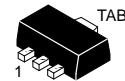
### Representative Block Diagram



This device contains 11 active transistors.

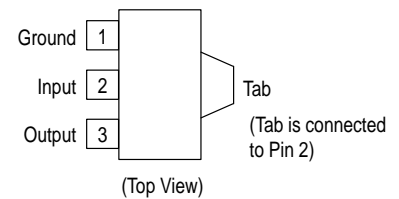
## MICROPOWER ULTRA-LOW QUIESCENT CURRENT VOLTAGE REGULATORS

### SEMICONDUCTOR TECHNICAL DATA

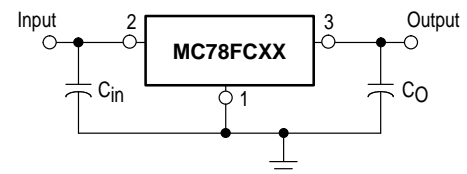


**H SUFFIX**  
PLASTIC PACKAGE  
CASE 1213  
(SOT-89)

### PIN CONNECTIONS



### Standard Application



## MC78FC00 Series

**MAXIMUM RATINGS** ( $T_C = 25^\circ\text{C}$ , unless otherwise noted.)

Rating	Symbol	Value	Unit
Input Voltage	$V_{CC}$	10	Vdc
Power Dissipation and Thermal Characteristics			
Maximum Power Dissipation	$P_D$	300	mW
Case 1213 (SOT-89) H Suffix	$R_{\theta JA}$	333	$^\circ\text{C}/\text{W}$
Thermal Resistance, Junction-to-Ambient			
Operating Junction Temperature	$T_J$	125	$^\circ\text{C}$
Operating Ambient Temperature	$T_A$	-30 to +80	$^\circ\text{C}$
Storage Temperature Range	$T_{stg}$	-40 to +125	$^\circ\text{C}$

**NOTE:** ESD data available upon request.

**ELECTRICAL CHARACTERISTICS** ( $V_{in} = V_O + 1.0\text{ V}$ ,  $I_O = 10\text{ mA}$ ,  $T_J = 25^\circ\text{C}$  [Note 1], unless otherwise noted.)

Characteristic	Symbol	Min	Typ	Max	Unit
Output Voltage	$V_O$				V
30HT1 Suffix ( $V_{in} = 5.0\text{ V}$ )		2.925	3.0	3.075	
33HT1 Suffix ( $V_{in} = 6.0\text{ V}$ )		3.218	3.3	3.382	
40HT1 Suffix ( $V_{in} = 7.0\text{ V}$ )		3.900	4.0	4.100	
50HT1 Suffix ( $V_{in} = 8.0\text{ V}$ )		4.875	5.0	5.125	
Line Regulation	$\text{Reg}_{line}$	-	0.1	-	mV
$V_{in} = [V_O + 1.0]\text{ V}$ to 10 V, $I_O = 10\text{ mA}$					
Load Regulation	$\text{Reg}_{load}$	-	40	80	mV
$V_{in} = [V_O + 1.0]$ , $I_O = 1.0$ to 10 mA					
Output Current	$I_O$				mA
30HT1 Suffix ( $V_{in} = 5.0\text{ V}$ )		50	80	-	
33HT1 Suffix ( $V_{in} = 6.0\text{ V}$ )		65	100	-	
40HT1 Suffix ( $V_{in} = 7.0\text{ V}$ )		65	100	-	
50HT1 Suffix ( $V_{in} = 8.0\text{ V}$ )		80	120	-	
Dropout Voltage	$V_{in} - V_O$	-	0.5	0.7	V
$I_O = 40\text{ mA}$					
Quiescent Current	$I_{CC}$				$\mu\text{A}$
30HT1 Suffix ( $V_{in} = 5.0\text{ V}$ )		-	1.1	3.3	
33HT1 Suffix ( $V_{in} = 5.0\text{ V}$ )		-	1.1	3.3	
40HT1 Suffix ( $V_{in} = 6.0\text{ V}$ )		-	1.2	3.6	
50HT1 Suffix ( $V_{in} = 7.0\text{ V}$ )		-	1.3	3.9	
Output Voltage Temperature Coefficient	$T_C$	-	$\pm 100$	-	ppm/ $^\circ\text{C}$

**NOTE:** 1. Low duty pulse techniques are used during test to maintain junction temperature as close to ambient as possible.

## DEFINITIONS

**Dropout Voltage** – The input/output voltage differential at which the regulator output no longer maintains regulation against further reductions in input voltage. Measured when the output drops 100 mV below its nominal value (which is measured at 1.0 V differential), dropout voltage is affected by junction temperature, load current and minimum input supply requirements.


**Line Regulation** – The change in output voltage for a change in input voltage. The measurement is made under conditions

of low dissipation or by using pulse techniques such that average chip temperature is not significantly affected.

**Load Regulation** – The change in output voltage for a change in load current at constant chip temperature.

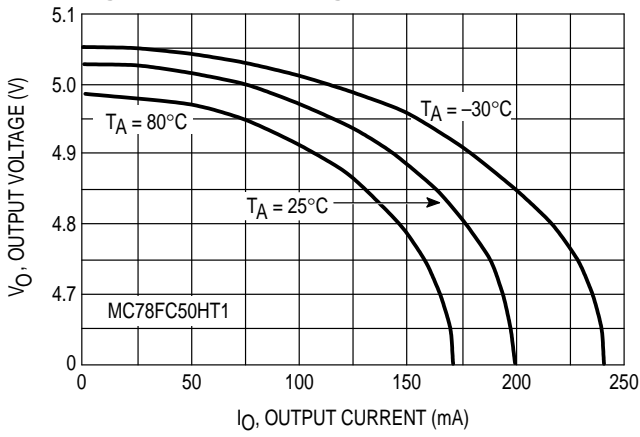
**Maximum Power Dissipation** – The maximum total device dissipation for which the regulator will operate within specifications.

**Quiescent Bias Current** – Current which is used to operate the regulator chip and is not delivered to the load.

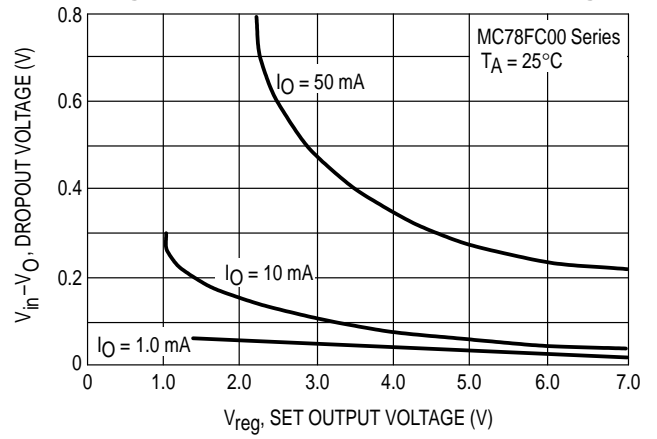
Motorola reserves the right to make changes without further notice to any products herein. Motorola makes no warranty, representation or guarantee regarding the suitability of its products for any particular purpose, nor does Motorola assume any liability arising out of the application or use of any product or circuit, and specifically disclaims any and all liability, including without limitation consequential or incidental damages. "Typical" parameters which may be provided in Motorola data sheets and/or specifications can and do vary in different applications and actual performance may vary over time. All operating parameters, including "Typicals" must be validated for each customer application by customer's technical experts. Motorola does not convey any license under its patent rights nor the rights of others. Motorola products are not designed, intended, or authorized for use as components in systems intended for surgical implant into the body, or other applications intended to support or sustain life, or for any other application in which the failure of the Motorola product could create a situation where personal injury or death may occur. Should Buyer purchase or use Motorola products for any such unintended or unauthorized application, Buyer shall indemnify and hold Motorola and its officers, employees, subsidiaries, affiliates, and distributors harmless against all claims, costs, damages, and expenses, and reasonable attorney fees arising out of, directly or indirectly, any claim of personal injury or death associated with such unintended or unauthorized use, even if such claim alleges that Motorola was negligent regarding the design or manufacture of the part. Motorola and  are registered trademarks of Motorola, Inc. Motorola, Inc. is an Equal Opportunity/Affirmative Action Employer.

# MC78FC00 Series

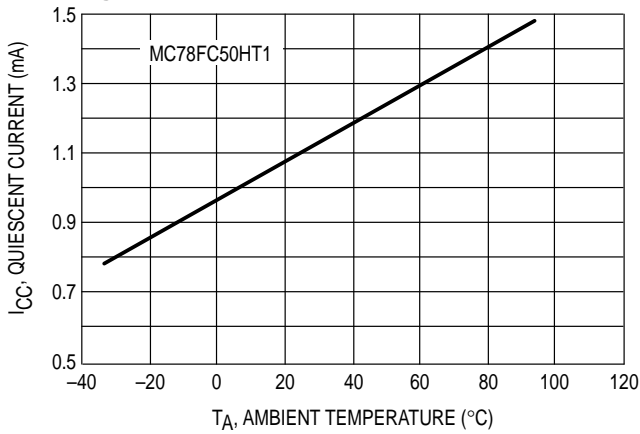
**Figure 1. Output Voltage versus Output Current**



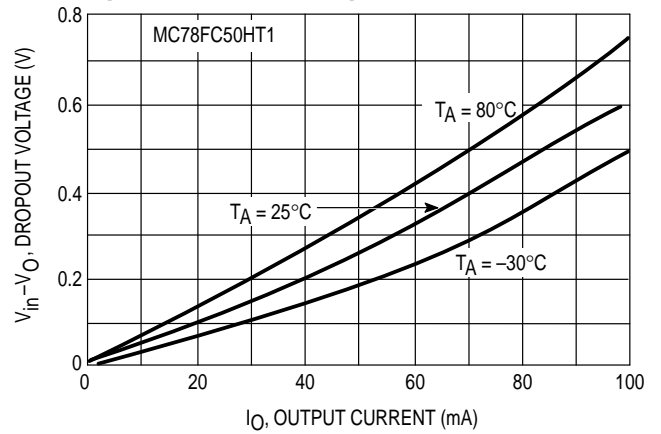
**Figure 2. Dropout versus Set Output Voltage**



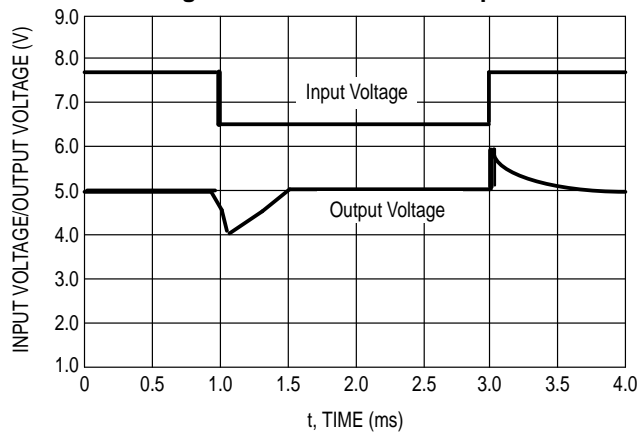
**Figure 3. Quiescent Current versus Temperature**



**Figure 4. Dropout Voltage versus Output Current**



**Figure 5. Line Transient Response**



# MC78FC00 Series

## APPLICATIONS INFORMATION

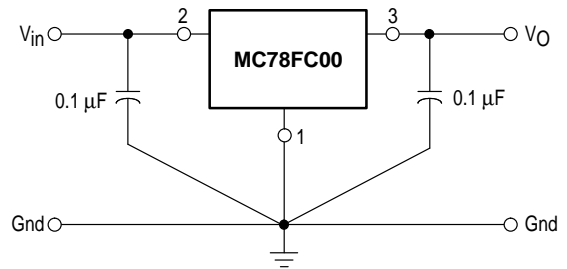
### Introduction

The MC78FC00 micropower voltage regulators are specifically designed with internal current limiting and low quiescent current making them ideal for battery powered applications. An input bypass capacitor is recommended if the regulator is located an appreciable distance ( $\geq 4$  inches) from the input voltage source. These regulators require  $0.1 \mu\text{F}$  capacitance between the output terminal and ground for stability. Most types of aluminum, tantalum or multilayer ceramic will perform adequately. Solid tantalums or other appropriate capacitors are recommended for operation below  $25^\circ\text{C}$ . The bypass capacitors should be mounted with the shortest possible leads or track lengths directly across the regulator input and output terminals.

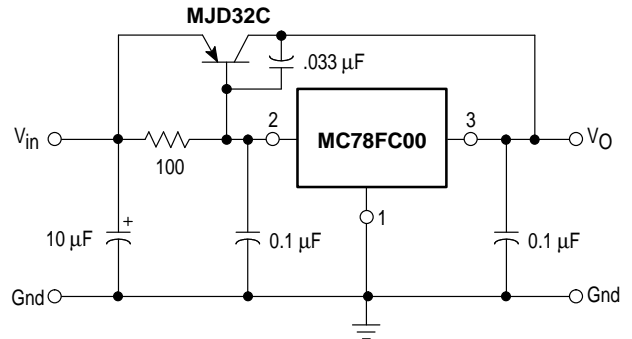
With economical electrolytic capacitors, cold temperature operation can pose a serious stability problem. As the electrolyte freezes, around  $-30^\circ\text{C}$ , the capacitance will decrease and the equivalent series resistance (ESR) will increase drastically, causing the circuit to oscillate. Quality electrolytic capacitors with extended temperature ranges of  $-40^\circ$  to  $+85^\circ\text{C}$  are readily available. Solid tantalum capacitors may be the better choice if small size is a requirement. However, a maximum ESR limit of  $3.0 \Omega$  must be observed over temperature to maintain stability.

Figure 6 is a typical circuit application. Figure 7 is a current boost circuit which can deliver more than 600 mA. The circuit has no current limiting and the external transistor must be rated for the expected power dissipation.

**Figure 6. Typical Application**



**Figure 7. Current Boost Circuit**



## OUTLINE DIMENSIONS

**H SUFFIX**  
**PLASTIC PACKAGE**  
**CASE 1213**  
**(SOT-89)**  
**ISSUE O**

NOTES:

- DIMENSIONS ARE IN MILLIMETERS.
- INTERPRET DIMENSIONS AND TOLERANCING PER ASME Y14.5M, 1994.
- DATUM C IS A SEATING PLANE.

MILLIMETERS		
DIM	MIN	MAX
A2	1.40	1.60
B	0.37	0.57
B1	0.32	0.52
C	0.30	0.50
D	4.40	4.60
D1	1.50	1.70
E	—	4.25
E1	2.40	2.60
e	1.50	BSC
e1	3.00	BSC
L1	0.80	—

**How to reach us:**

**USA/EUROPE/Locations Not Listed:** Motorola Literature Distribution;  
 P.O. Box 5405, Denver, Colorado 80217. 303-675-2140 or 1-800-441-2447

**Mfax™:** RMFAX0@email.sps.mot.com – TOUCHTONE 602-244-6609  
**INTERNET:** http://Design-NET.com

**JAPAN:** Nippon Motorola Ltd.; Tatsumi-SPD-JLDC, 6F Seibu-Butsuryu-Center,  
 3-14-2 Tatsumi Koto-Ku, Tokyo 135, Japan. 81-3-3521-8315

**ASIA/PACIFIC:** Motorola Semiconductors H.K. Ltd.; 8B Tai Ping Industrial Park,  
 51 Ting Kok Road, Tai Po, N.T., Hong Kong. 852-26629298

Mfax is a trademark of Motorola, Inc.