

SCHOTTKY MIXER DIODE

DESCRIPTION:

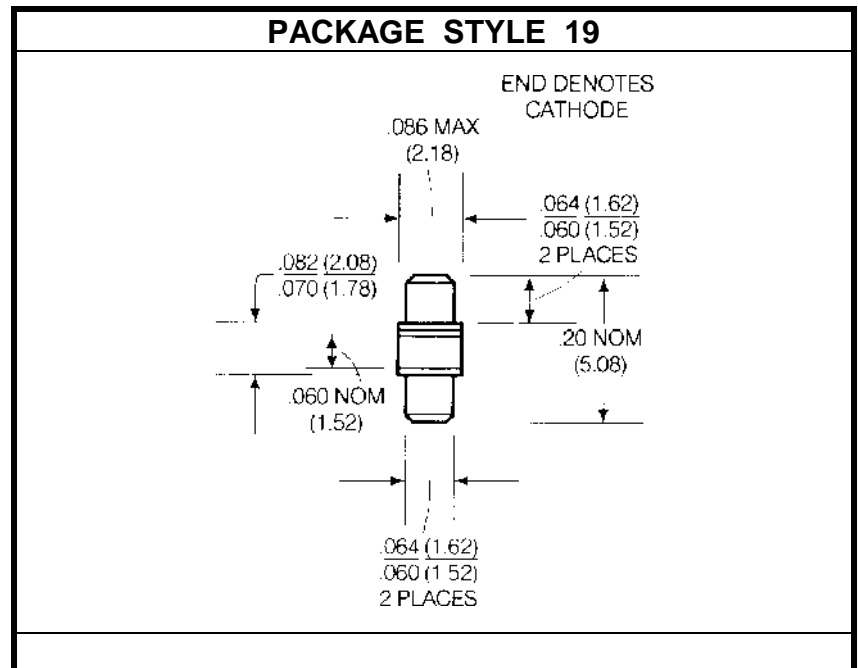
The **ASI MA40160** is a Silicon medium barrier Schottky Diode Designed for normal L.O. drive, Mixer Applications up to 26 GHz.

FEATURES:

- Ceramic Package

MAXIMUM RATINGS

I_F	2.0 mA
V_R	3.0 V
P_{DISS}	75 mW @ T _C = 25 °C
T_J	-65 °C to +150 °C
T_{STG}	-65 °C to +150 °C


CHARACTERISTICS T_C = 25 °C

SYMBOL	TEST CONDITIONS			MINIMUM	TYPICAL	MAXIMUM	UNITS
V_F	I _F = 2.0 mA				200	500	mV
V_{BR}	I _R = 3.0 μA			3.0			V
C_{J0}	V _R = 0 V		f = 1 MHz	0.06		0.10	pF
NF Z_{IF}	F = 16 Ghz N _{IF} = 1.5 dB	P _{LO} = 10 dBm R _L = 22 Ω	F _{IF} = 30 KHz	250		6.5 450	dB Ohms
SRW	Peak power = 1 mW		R _L = 22 Ω		0.2		---