

T1/CEPT/ISDN-PRI Quad Port Isolation Transformer

IC Grade Transfer-Molded Package withstand 235°C IR Reflow

Operating Temperature: 0°C ~ +70°C

Electrical Specifications: @25

PRI/SEC Isolation: 1500Vrms

TX Turns Ratio: 1 : 2 ±3%

(TX P1-2:P40-39, P9-10:P32-31, P11-12:P30-29, P19-20:P22-21)

RX Turns Ratio: 1 : 2CT ±3%

(RX P38-36:P3-5, P35-33:P6-8, P28-26:P13-15, P25-23:P16-18)

CHIP SIDE OCL: 1.5mH Typical @100KHz 50mV

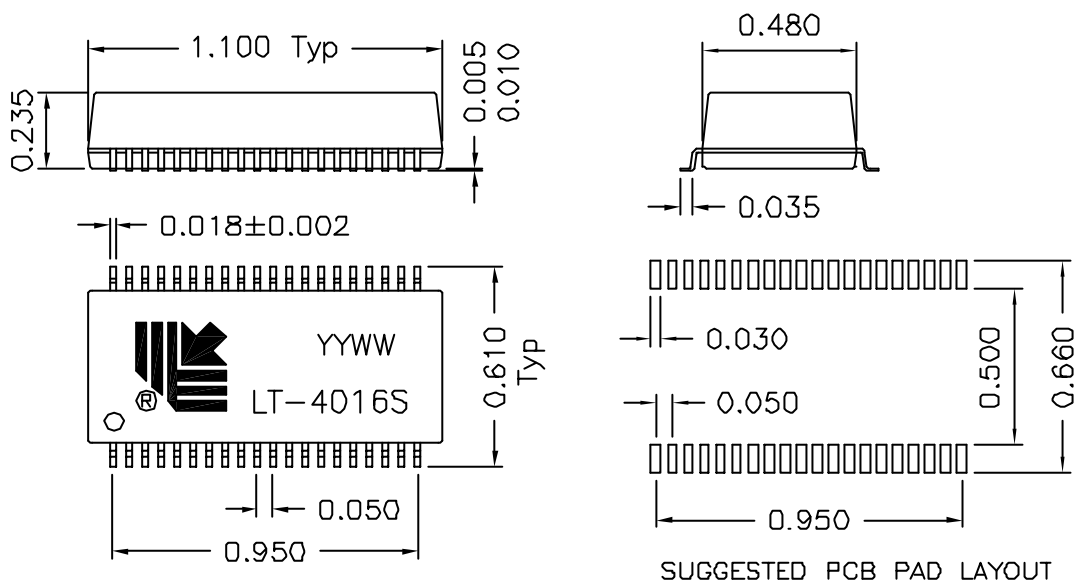
PRI/SEC Cw/w: 35pF Max @100KHz 50mV

CHIP SIDE LL: 0.6μH Max @100KHz 50mV

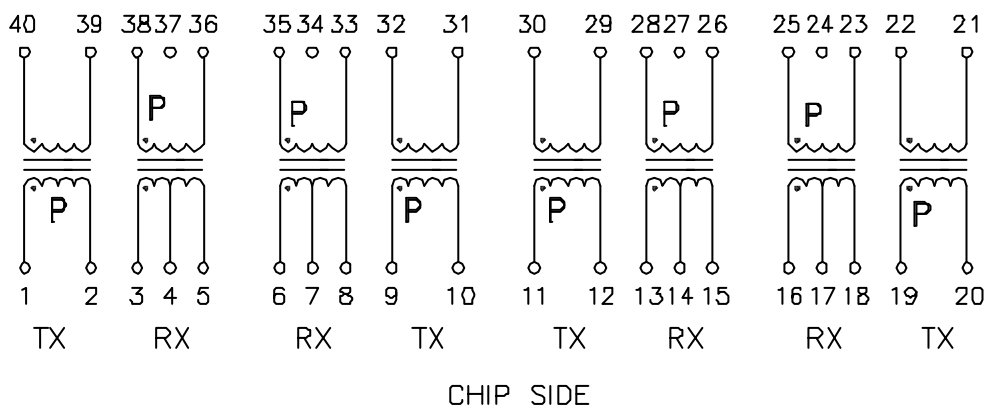
CHIP SIDE DC Resistance: 0.8 Ohms Maximum

Cross Talk: -65dB Typical

Mechanicals:



Schematics:



Specification subject to change without notice

P/N: LT-4016S	DIMENSIONS IN INCH	Unless otherwise specified Dim. Tolerances are: .xxx ±0.010	REV: A1	DRWN:	DATE:03-08-26
	SCALE: NONE		PAGE:1/1	APPD:	DATE: