



XC3028 Product Brief

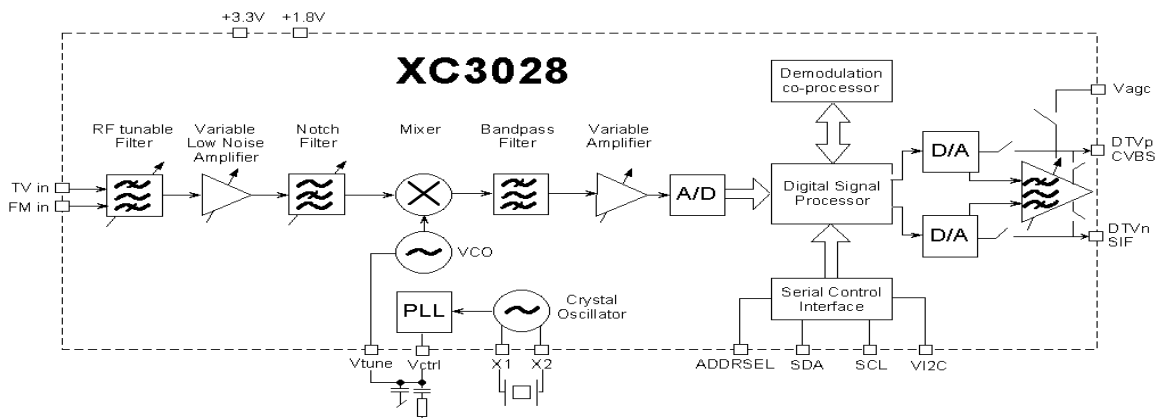
◆ Features

1. World's smallest TV tuner:
 - Fully integrated RF-to-Baseband
 - No metal shield required
2. Digital picture carrier recovery:
 - Alignment-free
 - Quartz-stable and accurate
 - No external tunable parts
3. Supports all digital TV standards: DVB-C, ISDB-T, DVB-T, ATSC
4. Supports all analog TV standards:
 - NTSC, PAL, SECAM
 - CVBS, SIF/AF output
5. Built-in VIF/SIF circuit
6. IIC bus controlled
7. Ultra small 48-pin MLF package, Leadfree

Specification	
Input Impedance (Ω)	75
VSWR (max.)	2.5
Noise Figure (max, dB)	6
Phase Noise @10 kHz (typ, dBc/Hz)	-85
LNA IIP3 (dBm)	8
AGC Range (max, dB)	80
Image Rejection (typ, dB)	60
Supply Voltage (V DC)	1.8, 3.3
Power Consumption (W)	1.2
Video S/N (typ, dB)	55
Outline Dimensions (mm)	7 x 7 x .85
System Setting Time (ms)	5
Frequency Range (MHz)	42-862



ULTRA SMALL, ANALOG AND DIGITAL TERRESTRIAL AND CABLE RECEIVER



Xceive Corporation, 2730 San Tomas Expressway, Suite #210, Santa Clara, CA 95051
 Tel: 408-486-5610, Fax: 408-486-5615, E-mail: sales@xceive.com, www.xceive.com

For a detailed list of current sales representatives, contact sales@xceive.com

Rel. 9/04

The information in this document is believed to be accurate and reliable. Xceive assumes no responsibility for any consequences arising from the use of this information, nor from any infringement of patents or the rights of third parties that may result from its use. No license is granted by implication or otherwise under any patent or other rights of Xceive. The information in this publication replaces and supersedes all information previously supplied, and is subject to change without notice. Contact Xceive in order to obtain the latest device specification sheets before using any Xceive device.