

# MN3111H

## Vertical Driver LSI for Video Camera CCD Area Image Sensor

### ■ Overview

The MN3111H is a vertical driver LSI for a two-dimensional interline CCD image sensor. It features a built-in power supply circuit that, in conjunction with such external components as four booster capacitors, six voltage stabilization capacitors, eight Schottky barrier diodes, and two Zener diodes, produces stabilized +15.0V and -10.0V power supplies from a +5.0V input and HD pulses.

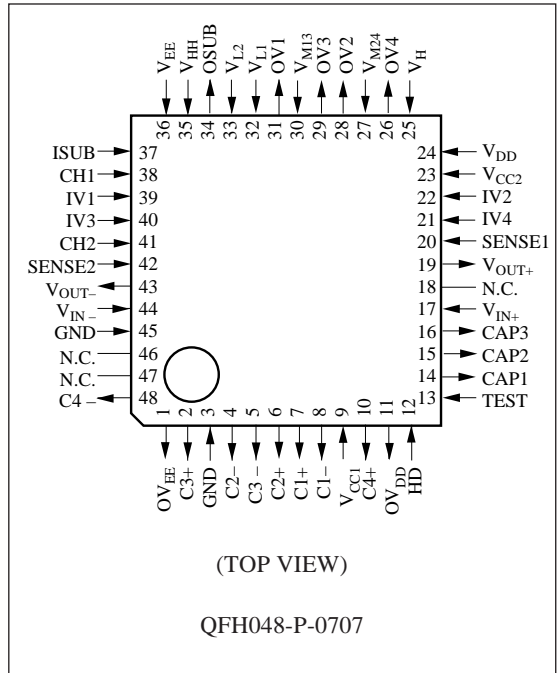
### ■ Features

- Single 5 volt power supply

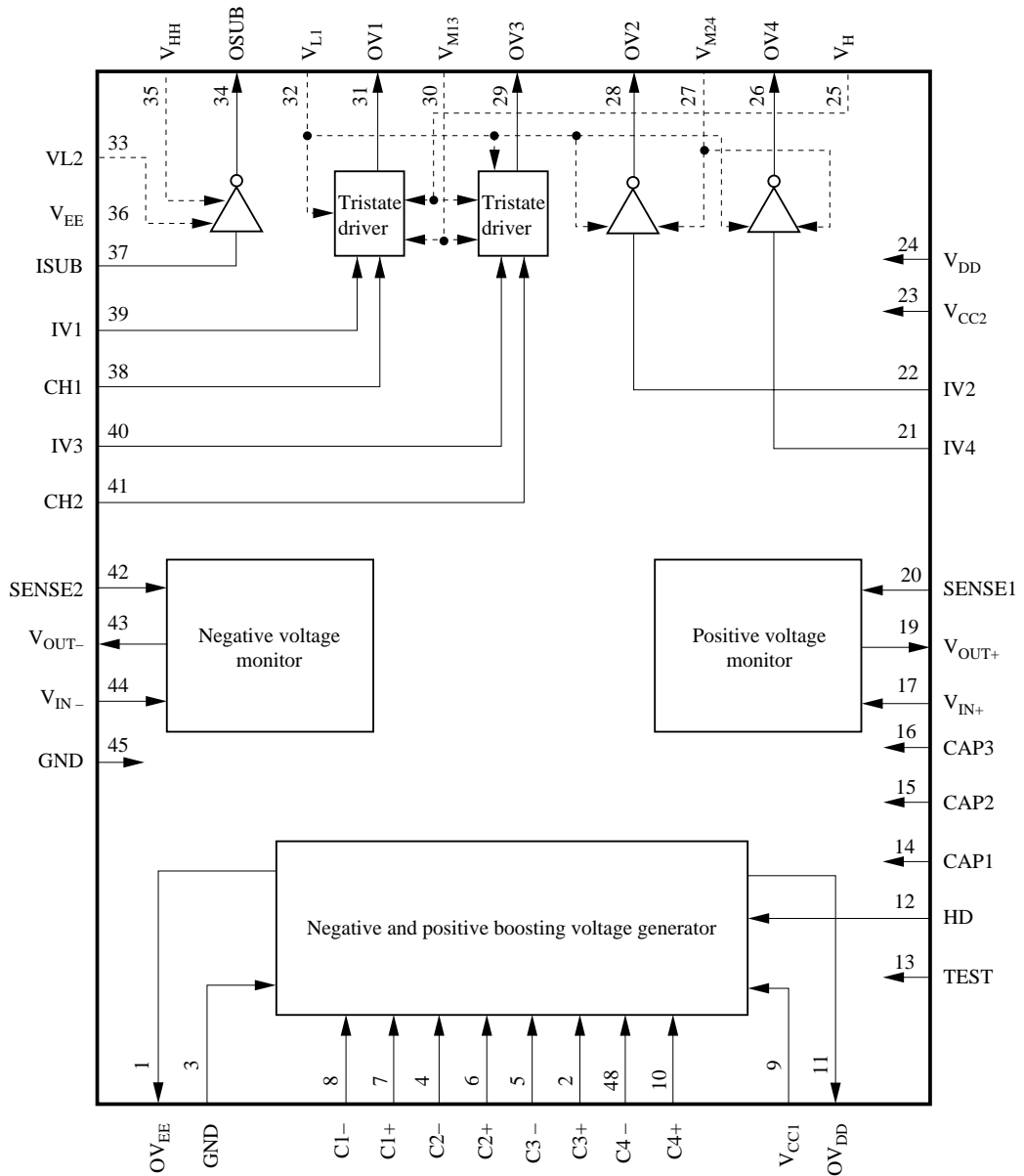
### ■ Applications

- Video cameras

### ■ Pin Assignment



■ Block Diagram



### ■ Pin Descriptions

Pin No.	Symbol	Pin Name	I/O	Function Description
9 23	V <sub>CC1</sub> V <sub>CC2</sub>	"H" level power supply for input block	I	"H" level input for 5 volt circuits
3 45	GND	"L" level power supply for input block	I	"L" level input for 5 volt circuits
25	V <sub>H</sub>	"H" level power supply for vertical driver	I	"H" level input for high-voltage circuits
35	V <sub>HH</sub>	"H" level power supply for SUB driver	I	"H" level input for high-voltage circuits
30 27	V <sub>M13</sub> V <sub>M24</sub>	"M" level power supply for vertical driver	I	"M" level input for high-voltage circuits
32	V <sub>L1</sub>	"L" level power supply for vertical driver	I	"L" level input for high-voltage circuits
33	V <sub>L2</sub>	"L" level power supply for SUB driver	I	"L" level input for high-voltage circuits
24	V <sub>DD</sub>	Driver power supply 1	I	"H" level for high-voltage circuits
36	V <sub>EE</sub>	Driver power supply 2	I	"L" level for high-voltage circuits
17	V <sub>IN+</sub>	Voltage input for positive voltage monitor	I	Voltage input pin for positive voltage monitor
44	V <sub>IN-</sub>	Voltage input for negative voltage monitor	I	Voltage input pin for negative voltage monitor
13	TEST	Test input	I	Test pin (Keep this pin at "H" level.)
12	HD	HD pulse input	I	HD pulse input pin
22	IV2	Transfer pulse input	I	Charge transfer pulse input pin
21	IV4	Transfer pulse input	I	Charge transfer pulse input pin
39	IV1	Transfer pulse input	I	Charge transfer pulse input pin
40	IV3	Transfer pulse input	I	Charge transfer pulse input pin
38	CH1	Charge pulse input	I	Charge readout pulse input pin
41	CH2	Charge pulse input	I	Charge readout pulse input pin
37	ISUB	SUB pulse input	I	Unwanted charge rejection pulse input pin
20	SENSE1	Positive voltage monitor sensing input	I	Positive voltage monitor control sensing pin (Leave this pin open.)
42	SENSE2	Negative voltage monitor sensing input	I	Negative voltage monitor control sensing pin (Leave this pin open.)
7 8	C1+ C1-	C1 connection	O	Booster block voltage charging capacitor connection pins
6 4	C2+ C2-	C2 connection	O	Booster block voltage charging capacitor connection pins
2 5	C3+ C3-	C3 connection	O	Booster block voltage charging capacitor connection pins
10 48	C4+ C4-	C4 connection	O	Booster block voltage charging capacitor connection pins

■ Pin Descriptions (continued)

Pin No.	Symbol	Pin Name	I/O	Function Description
11	OV <sub>DD</sub>	Booster block positive voltage output	O	Booster block positive voltage output pin
1	OV <sub>EE</sub>	Booster block negative voltage output	O	Booster block negative voltage output pin
19	V <sub>OUT+</sub>	Positive regulated voltage output	O	Positive voltage monitor output pin (Leave this pin open.)
43	V <sub>OUT-</sub>	Negative regulated voltage output	O	Negative voltage monitor output pin (Leave this pin open.)
26	OV4	Binary transfer pulse output	O	Binary (V <sub>M24</sub> , V <sub>L1</sub> ) transfer pulse output pin
28	OV2	Binary transfer pulse output	O	Binary (V <sub>M24</sub> , V <sub>L1</sub> ) transfer pulse output pin
29	OV3	Tristate transfer pulse output	O	Tristate (V <sub>H</sub> , V <sub>M13</sub> , V <sub>L1</sub> ) transfer pulse output pin
31	OV1	Tristate transfer pulse output	O	Tristate (V <sub>H</sub> , V <sub>M13</sub> , V <sub>L1</sub> ) transfer pulse output pin
34	OSUB	SUB pulse output	O	Unwanted charge (V <sub>HH</sub> , V <sub>L2</sub> ) rejection pulse input pin
14 15 16	CAP1 CAP2 CAP3	Stabilizing capacitor connection	O	Pins for connecting capacitors for internal voltage stabilization circuits
18 46 47	N.C.	No connection	—	

## ■ Functional Description

### Binary transfer pulses (vertical driver block)

IV2	OV2
IV4	OV4
H	L
L	M

### Tristate transfer pulses (vertical driver block)

CH1	IV1	OV1
CH2	IV3	OV3
H	H	L
	L	M
L	H	L
	L	H

\*1 IV1, IV2, IV3, IV4, CH1, CH2

H:  $V_{CC}$

L: GND

OV1, OV2, OV3, OV4

H:  $V_H$

M:  $V_{M13}$  , or  $V_{M24}$

L:  $V_{L1}$

### Unwanted charge rejection pulses (SUB driver block)

ISUB	OSUB
H	L
L	H

\*1 ISUB

H:  $V_{CC}$

L: GND

OSUB

H:  $V_{HH}$

L:  $V_{L2}$

## ■ Electrical Characteristics

### (1) DC characteristics

$V_{HH}=V_H=15.0V$ ,  $V_{M13}=V_{M24}=1.0V$ ,  $GND=0.0V$ ,

$V_{CC1}=V_{CC2}=5.0V (=V_{CC})$ ,  $V_{L1}=-7.0V$ ,  $V_{L2}=-10.0V$ ,  $T_a=+25^\circ C$

Parameter	Symbol	Test conditions	min	typ	max	Unit
Quiescent supply current	$I_{DDST}$	$V_I=GND, V_{CC}$			4	mA
Operating supply current	$I_{DDYN}$	$V_I=GND, V_{CC}$			11	mA
Power supply output pins		$OV_{DD}, OV_{EE}$				
Positive voltage stabilization circuit output voltage	$V_{REG+}$	$V_I=GND, V_{CC}, I_O=7mA$	14.5	15.0	15.5	V
Negative voltage stabilization circuit output voltage	$V_{REG-}$	$V_I=GND, V_{CC}, I_O=-2mA$	-10.5	-10.0	-9.5	V
Input pins		IV1, IV2, IV3, IV4, CH1, CH2, ISUB, HD				
"H" level voltage	$V_{IH}$		3.5		$V_{CC}$	V
"L" level voltage	$V_{IL}$		GND		1.5	V
Input leak current	$I_{LI}$	$V_I=0$ to 5V			$\pm 1$	$\mu A$
Output pins 1 (Binary output)		OV2, OV4				
Output voltage "M" level	$V_{OM1}$	$V_I=GND, V_{CC}, I_{OM1}=-1mA$	0.9		$V_{M24}$	V
Output voltage "L" level	$V_{OL1}$	$V_I=GND, V_{CC}, I_{OL1}=1mA$	$V_{L1}$		-6.9	V
Output on resistance "M" level	$R_{ONM1}$	$I_{OM1}=-50mA$			40	$\Omega$
Output on resistance "L" level	$R_{ONL1}$	$I_{OL1}=50mA$			40	$\Omega$
Output pins 2 (Tristate output)		OV1, OV3				
Output voltage "H" level	$V_{OH2}$	$V_I=GND, V_{CC}, I_{OH2}=-1mA$	14.9		$V_H$	V
Output voltage "M" level	$V_{OM2}$	$V_I=GND, V_{CC}, I_{OM2}=-1mA$	0.9		$V_{M13}$	V
Output voltage "L" level	$V_{OL2}$	$V_I=GND, V_{CC}, I_{OL2}=1mA$	$V_{L1}$		-6.9	V
Output on resistance "H" level	$R_{ONH2}$	$I_{OH2}=-50mA$			50	$\Omega$
Output on resistance "M" level	$R_{ONM2}$	$I_{OM2}=\pm 50mA$			40	$\Omega$
Output on resistance "L" level	$R_{ONL2}$	$I_{OL2}=50mA$			40	$\Omega$
Output pin 3 (SUB output)		OSUB				
Output voltage "H" level	$V_{OHH3}$	$V_I=GND, V_{CC}, I_{OHH3}=-1mA$	14.9		$V_{HH}$	V
Output voltage "L" level	$V_{OL3}$	$V_I=GND, V_{CC}, I_{OL3}=1mA$	$V_{L2}$		-9.9	V
Output on resistance "H" level	$R_{ONHH3}$	$I_{ONHH3}=-50mA$			50	$\Omega$
Output on resistance "L" level	$R_{ONL3}$	$I_{ONL3}=50mA$			40	$\Omega$

## (2) AC characteristics

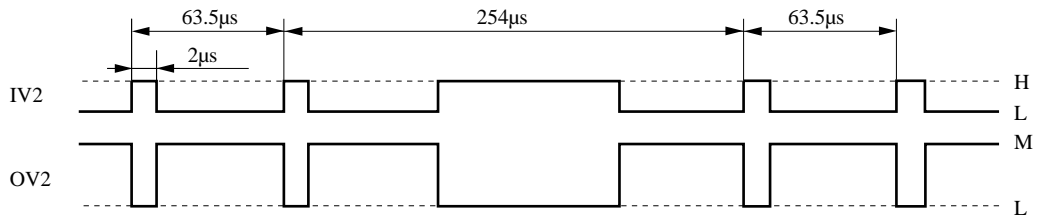
$$V_{HH}=V_H=15.0V, V_{M13}=V_{M24}=1.0V, GND=0.0V,$$

$$V_{CC1}=V_{CC2}=5.0V (=V_{CC}), V_{L1}=-7.0V, V_{L2}=-10.0V, T_a=+25^{\circ}C$$

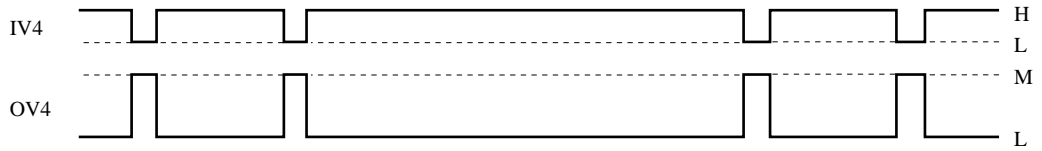
Parameter	Symbol	Test conditions	min	typ	max	Unit
Output pins 1 (Binary output) OV2, OV4						
Transmission delay	$t_{PLM}$ $t_{PML}$	No load From "L" level to "M" level		100	200	ns
Rise time	$t_{TLM}$			200	300	ns
Fall time	$t_{TML}$					
Output pins 2 (Tristate output) OV1, OV3						
Transmission delay	$t_{PLM}$ $t_{PML}$	No load From "L" level to "M" level		100	200	ns
Transmission delay	$t_{PMH}$ $t_{PHM}$	No load From "M" level to "H" level		200	400	ns
Rise time	$t_{TLM}$			200	300	ns
Fall time	$t_{TML}$					
Rise time	$t_{TMH}$			200	300	ns
Fall time	$t_{THM}$					
Output pin 3 (SUB output) OSUB						
Transmission delay	$t_{PLHH}$ $t_{PHHL}$	No load From "L" level to "H" level		100	200	ns
Rise time	$t_{TLHH}$			200	300	ns
Fall time	$t_{THHL}$					

■ Timing Chart

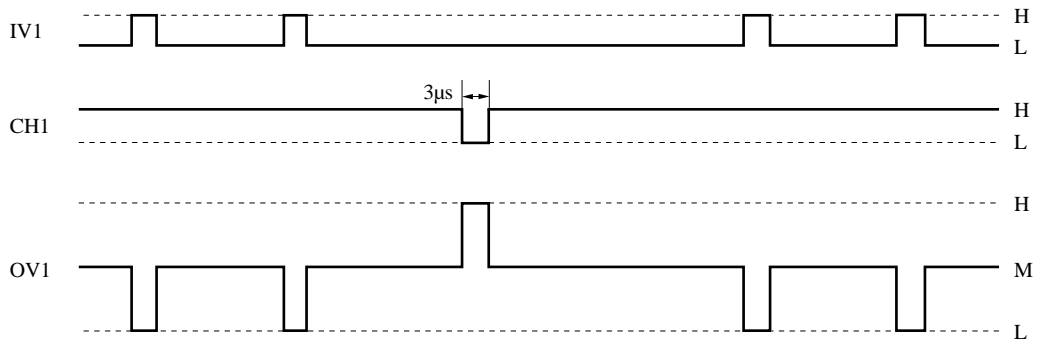
1. Binary transfer pulses



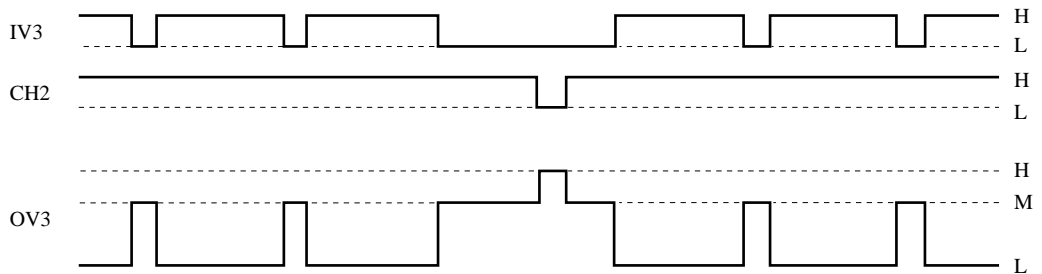
2. Binary transfer pulses



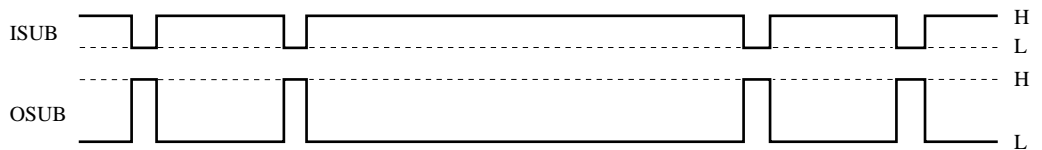
3. Tristate transfer pulses



4. Tristate transfer pulses

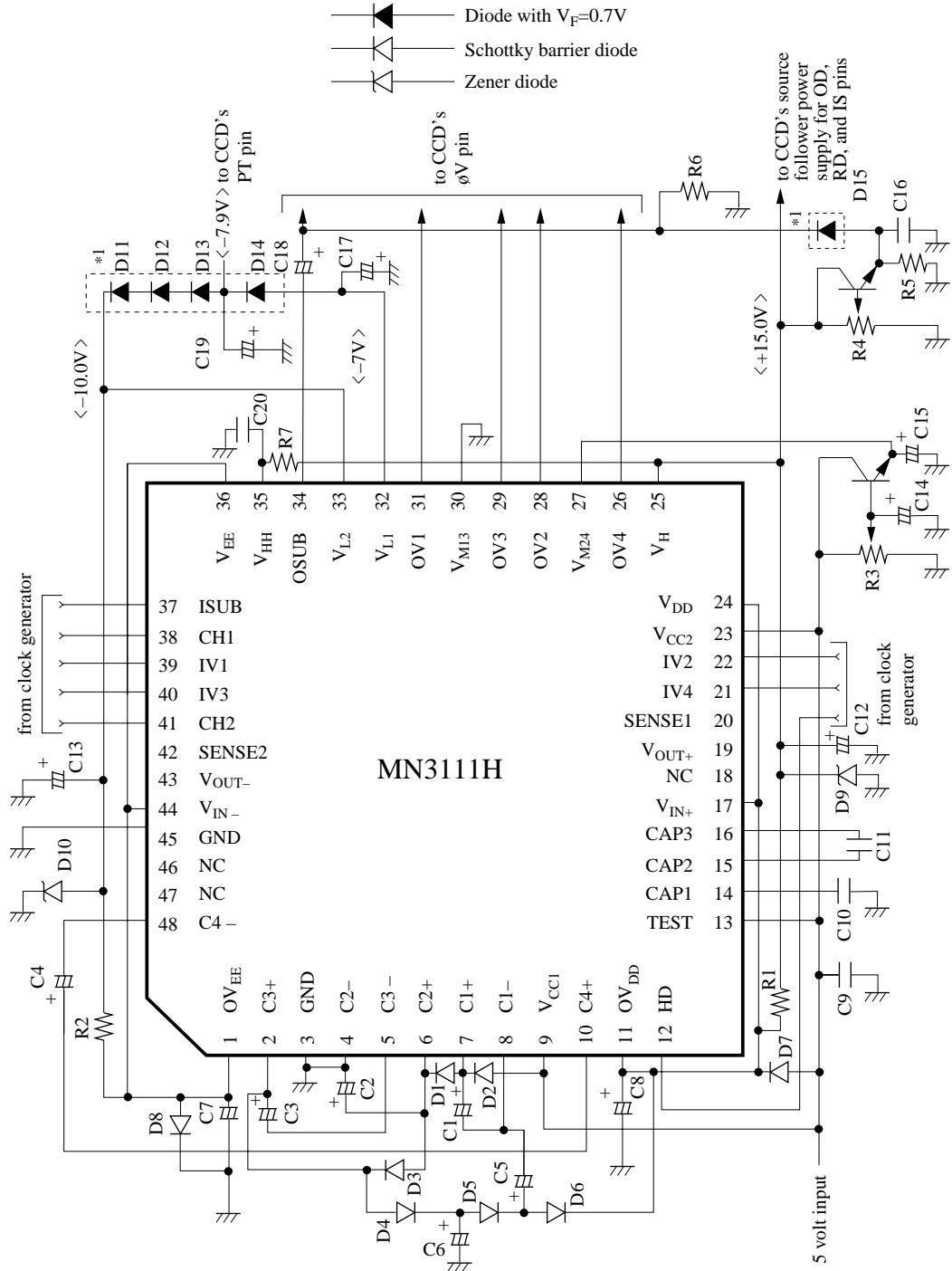


5. SUB pulses





■ Application Circuit Example

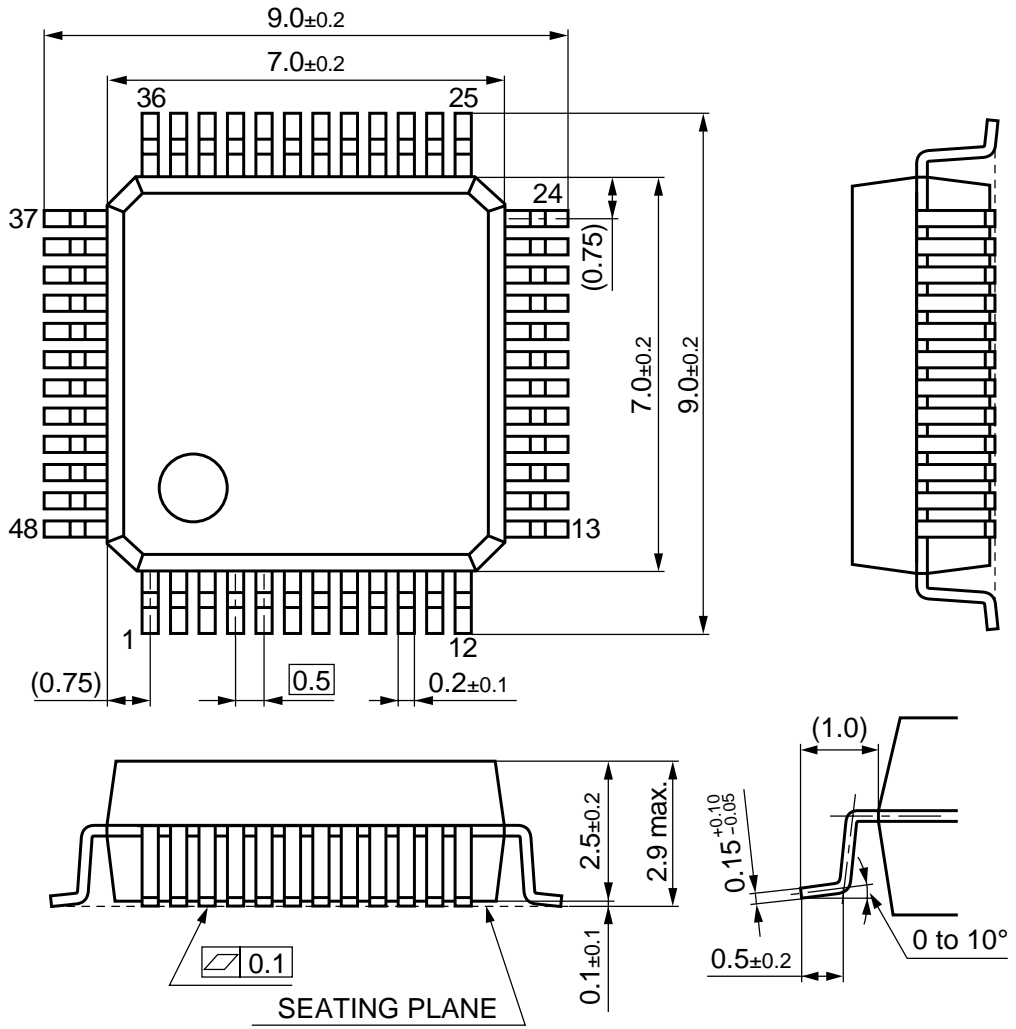


The booster circuit's electrolytic capacitors must have little impedance fluctuation at low temperatures.

Note \*1: These diodes must have a  $V_F$  of 0.7 V. All other diodes, except the Zener diodes, must be Schottky barrier diodes (MA723).

■ Package Dimensions (Unit: mm)

QFH048-P-0707



■ Usage Notes

External components

1. This product requires eight Schottky barrier diodes and two Zener diodes.

We recommend the following components.

Schottky barrier diodes: MA723 or equivalents

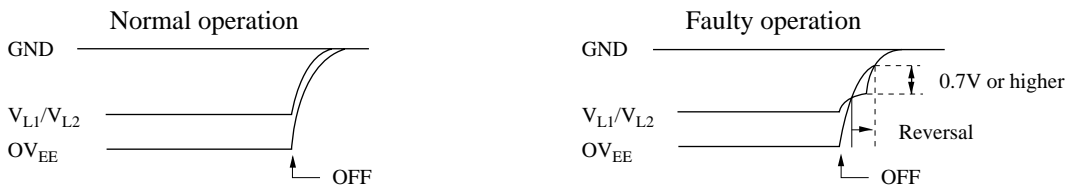
Zener diodes: MA1150-M, MA8150-M (for positive regulated voltage) or equivalents  
 MA1100-M, MA8100-M (for negative regulated voltage) or equivalents

Ta=25°C

Component	Model number	Typical characteristics	Notes
Schottky barrier diodes	MA723	$I_F = 200\text{mA}$ , $V_F \leq 0.55\text{V}$	
Zener diodes	MA1150-M MA8150-M	$I_Z = 5\text{mA}$ , $14.6\text{V} \leq V_Z \leq 15.35\text{V}$	for positive regulated voltage
	MA1100-M MA8100-M	$I_Z = 5\text{mA}$ , $9.75\text{V} \leq V_Z \leq 10.25\text{V}$	for negative regulated voltage

The MN3111H will not operate properly if the components do not satisfy the above specifications.

2. Always use the specified components for peripheral circuits so as to ensure that  $OV_{EE}$  and  $V_L$  do not reverse potentials when the power is turned off.



As the above sketch illustrates, allowing  $OV_{EE}$  to exceed  $V_{L1}$  and  $V_{L2}$  by more than 0.7 V produces the risk of applying a forward bias to the PN junction, turning on the parasitic transistor, and generating an overcurrent that produces latch-up.

If this phenomenon arises, increase the size of capacitor C7 or decrease the size of capacitor C13 to increase the  $OV_{EE}$  time constant.

(See the sample application circuit for the locations of C7 and C13.)

## Request for your special attention and precautions in using the technical information and semiconductors described in this material

- (1) An export permit needs to be obtained from the competent authorities of the Japanese Government if any of the products or technologies described in this material and controlled under the "Foreign Exchange and Foreign Trade Law" is to be exported or taken out of Japan.
- (2) The technical information described in this material is limited to showing representative characteristics and applied circuit examples of the products. It does not constitute the warranting of industrial property, the granting of relative rights, or the granting of any license.
- (3) The products described in this material are intended to be used for standard applications or general electronic equipment (such as office equipment, communications equipment, measuring instruments and household appliances).  
Consult our sales staff in advance for information on the following applications:
  - Special applications (such as for airplanes, aerospace, automobiles, traffic control equipment, combustion equipment, life support systems and safety devices) in which exceptional quality and reliability are required, or if the failure or malfunction of the products may directly jeopardize life or harm the human body.
  - Any applications other than the standard applications intended.
- (4) The products and product specifications described in this material are subject to change without notice for reasons of modification and/or improvement. At the final stage of your design, purchasing, or use of the products, therefore, ask for the most up-to-date Product Standards in advance to make sure that the latest specifications satisfy your requirements.
- (5) When designing your equipment, comply with the guaranteed values, in particular those of maximum rating, the range of operating power supply voltage and heat radiation characteristics. Otherwise, we will not be liable for any defect which may arise later in your equipment.  
Even when the products are used within the guaranteed values, redundant design is recommended, so that such equipment may not violate relevant laws or regulations because of the function of our products.
- (6) When using products for which dry packing is required, observe the conditions (including shelf life and after-unpacking standby time) agreed upon when specification sheets are individually exchanged.
- (7) No part of this material may be reprinted or reproduced by any means without written permission from our company.

## Please read the following notes before using the datasheets

- A. These materials are intended as a reference to assist customers with the selection of Panasonic semiconductor products best suited to their applications.  
Due to modification or other reasons, any information contained in this material, such as available product types, technical data, and so on, is subject to change without notice.  
Customers are advised to contact our semiconductor sales office and obtain the latest information before starting precise technical research and/or purchasing activities.
- B. Panasonic is endeavoring to continually improve the quality and reliability of these materials but there is always the possibility that further rectifications will be required in the future. Therefore, Panasonic will not assume any liability for any damages arising from any errors etc. that may appear in this material.
- C. These materials are solely intended for a customer's individual use.  
Therefore, without the prior written approval of Panasonic, any other use such as reproducing, selling, or distributing this material to a third party, via the Internet or in any other way, is prohibited.