

---

# HM5117805 Series

2,097,152-word × 8-bit Dynamic RAM

# HITACHI

ADE-203-630 C (Z)

Rev. 3.0

Feb. 25, 1997

---

## Description

The Hitachi HM5117805 is a CMOS dynamic RAM organized 2,097,152-word × 8-bit. It employs the most advanced CMOS technology for high performance and low power. The HM5117805 offers Extended Data Out (EDO) Page Mode as a high speed access mode. Multiplexed address input permits the HM5117805 to be packaged in standard 28-pin plastic SOJ and 28-pin TSOP.

## Features

- Single 5 V ( $\pm 10\%$ )
- Access time: 50 ns/60 ns/70 ns (max)
- Power dissipation
  - Active mode: 605 mW/550 mW/495 mW (max)
  - Standby mode : 11 mW (max)  
: 0.83 mW (max) (L-version)
- EDO page mode capability
- Long refresh period
  - 2048 refresh cycles : 32 ms  
: 128 ms (L-version)
- 4 variations of refresh
  - $\overline{\text{RAS}}$ -only refresh
  - $\overline{\text{CAS}}$ -before- $\overline{\text{RAS}}$  refresh
  - Hidden refresh
  - Self refresh (L-version)
- Battery backup operation (L-version)

---

# HM5117805 Series

---

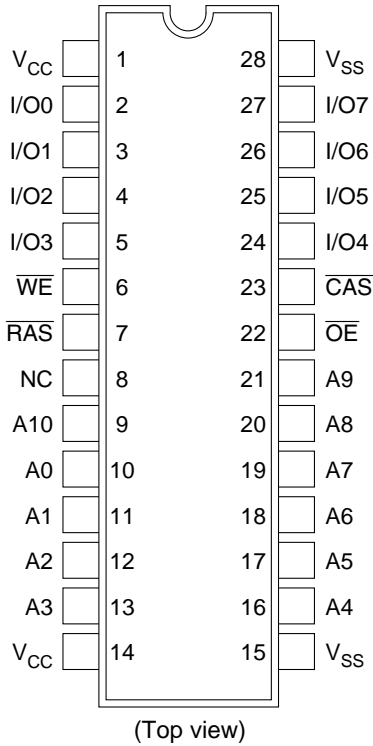
## Ordering Information

Type No.	Access time	Package
HM5117805J-5	50 ns	400-mil 28-pin plastic SOJ (CP-28DA)
HM5117805J-6	60 ns	
HM5117805J-7	70 ns	
HM5117805LJ-5	50 ns	300-mil 28-pin plastic SOJ (CP-28DNA)
HM5117805LJ -6	60 ns	
HM5117805LJ -7	70 ns	
HM5117805S-5	50 ns	400-mil 28-pin plastic TSOP II (TTP-28DA)
HM5117805S-6	60 ns	
HM5117805S-7	70 ns	
HM5117805LS-5	50 ns	300-mil 28-pin plastic TSOP II (TTP-28DB)
HM5117805LS-6	60 ns	
HM5117805LS-7	70 ns	
HM5117805TT-5	50 ns	300-mil 28-pin plastic TSOP II (TTP-28DB)
HM5117805TT-6	60 ns	
HM5117805TT-7	70 ns	
HM5117805LTT-5	50 ns	300-mil 28-pin plastic TSOP II (TTP-28DB)
HM5117805LTT-6	60 ns	
HM5117805LTT-7	70 ns	
HM5117805TS-5	50 ns	300-mil 28-pin plastic TSOP II (TTP-28DB)
HM5117805TS-6	60 ns	
HM5117805TS-7	70 ns	
HM5117805LTS-5	50 ns	300-mil 28-pin plastic TSOP II (TTP-28DB)
HM5117805LTS-6	60 ns	
HM5117805LTS-7	70 ns	

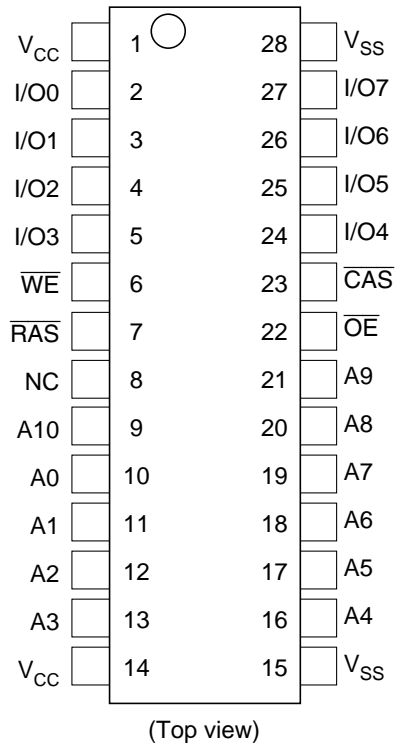
---

Pin Arrangement

HM5117805J/LJ Series  
HM5117805S/LS Series



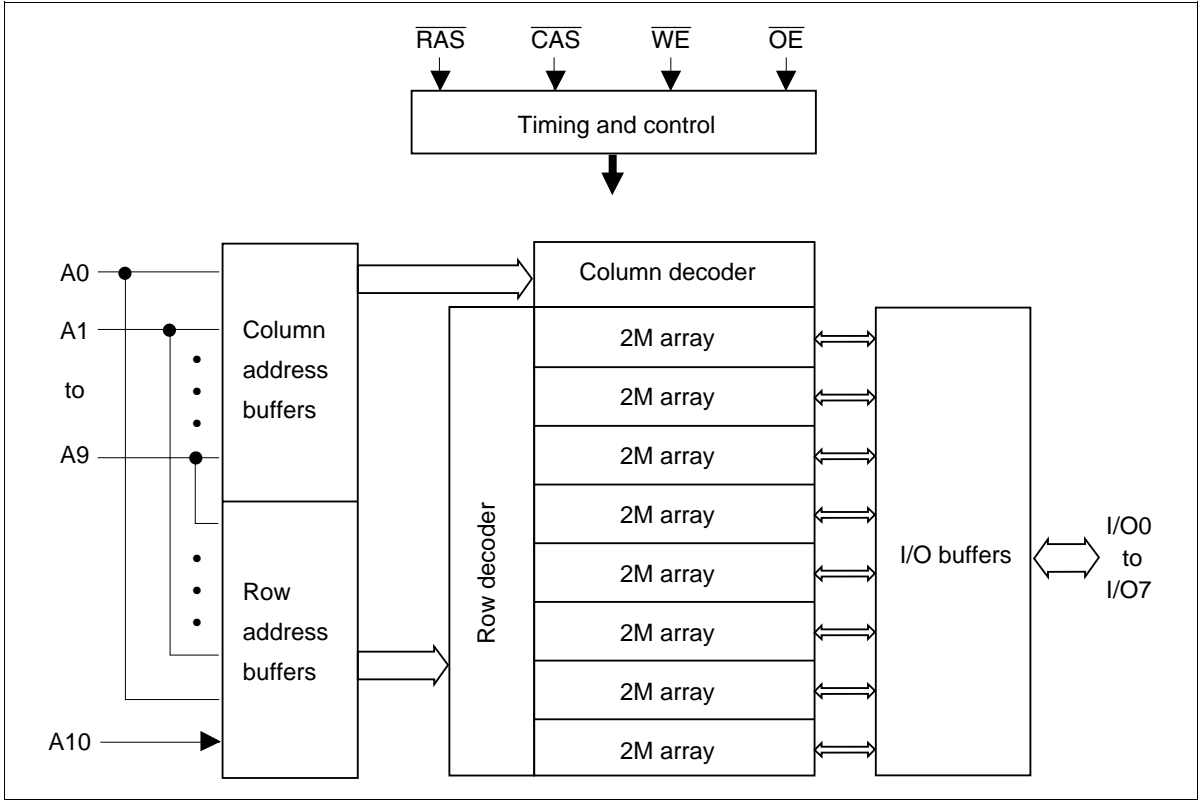
HM5117805TT/LTT Series  
HM5117805TS/LTS Series



Pin Description

Pin name	Function
A0 to A10	Address input — Row/Refresh address A0 to A10 — Column address A0 to A9
I/O0 to I/O7	Data input/Data output
$\overline{\text{RAS}}$	Row address strobe
$\overline{\text{CAS}}$	Column address strobe
$\overline{\text{WE}}$	Read/Write enable
$\overline{\text{OE}}$	Output enable
$V_{\text{CC}}$	Power supply
$V_{\text{SS}}$	Ground
NC	No connection

**Block Diagram**



**Absolute Maximum Ratings**

Parameter	Symbol	Value	Unit
Voltage on any pin relative to $V_{SS}$	$V_T$	-1.0 to +7.0	V
Supply voltage relative to $V_{SS}$	$V_{CC}$	-1.0 to +7.0	V
Short circuit output current	$I_{out}$	50	mA
Power dissipation	$P_T$	1.0	W
Operating temperature	$T_{opr}$	0 to +70	°C
Storage temperature	$T_{stg}$	-55 to +125	°C

**Recommended DC Operating Conditions ( $T_a = 0$  to  $+70^\circ\text{C}$ )**

Parameter	Symbol	Min	Typ	Max	Unit	Note
Supply voltage	$V_{CC}$	4.5	5.0	5.5	V	1
Input high voltage	$V_{IH}$	2.4	—	6.5	V	1
Input low voltage	$V_{IL}$	-1.0	—	0.8	V	1

Note: 1. All voltage referred to  $V_{SS}$ .

# HM5117805 Series

DC Characteristics (Ta = 0 to +70°C, V<sub>CC</sub> = 5 V ± 10%, V<sub>SS</sub> = 0 V)

Parameter	Symbol	HM5117805						Unit	Test conditions
		-5		-6		-7			
		Min	Max	Min	Max	Min	Max		
Operating current <sup>*1, *2</sup>	I <sub>CC1</sub>	—	110	—	100	—	90	mA	t <sub>RC</sub> = min
Standby current	I <sub>CC2</sub>	—	2	—	2	—	2	mA	TTL interface RAS, CAS = V <sub>IH</sub> Dout = High-Z
		—	1	—	1	—	1	mA	CMOS interface RAS, CAS ≥ V <sub>CC</sub> - 0.2 V Dout = High-Z
Standby current (L-version)	I <sub>CC2</sub>	—	150	—	150	—	150	μA	CMOS interface RAS, CAS ≥ V <sub>CC</sub> - 0.2 V Dout = High-Z
RAS-only refresh current <sup>*2</sup>	I <sub>CC3</sub>	—	110	—	100	—	90	mA	t <sub>RC</sub> = min
Standby current <sup>*1</sup>	I <sub>CC5</sub>	—	5	—	5	—	5	mA	RAS = V <sub>IH</sub> CAS = V <sub>IL</sub> Dout = enable
CAS-before-RAS refresh current	I <sub>CC6</sub>	—	110	—	100	—	90	mA	t <sub>RC</sub> = min
EDO page mode current <sup>*1, *3</sup>	I <sub>CC7</sub>	—	100	—	90	—	85	mA	t <sub>HPC</sub> = min
Battery backup current <sup>*4</sup> (Standby with CBR refresh) (L-version)	I <sub>CC10</sub>	—	500	—	500	—	500	μA	CMOS interface Dout = High-Z CBR refresh: t <sub>RC</sub> = 62.5 μs t <sub>RAS</sub> ≤ 0.3 μs
Self refresh mode current (L-version)	I <sub>CC11</sub>	—	300	—	300	—	300	μA	CMOS interface RAS, CAS ≤ 0.2V Dout = High-Z
Input leakage current	I <sub>LI</sub>	-10	10	-10	10	-10	10	μA	0 V ≤ Vin ≤ 7 V
Output leakage current	I <sub>LO</sub>	-10	10	-10	10	-10	10	μA	0 V ≤ Vout ≤ 7 V Dout = disable
Output high voltage	V <sub>OH</sub>	2.4	V <sub>CC</sub>	2.4	V <sub>CC</sub>	2.4	V <sub>CC</sub>	V	High Iout = -2 mA
Output low voltage	V <sub>OL</sub>	0	0.4	0	0.4	0	0.4	V	Low Iout = 2 mA

Notes: 1. I<sub>CC</sub> depends on output load condition when the device is selected. I<sub>CC</sub> max is specified at the output open condition.

2. Address can be changed once or less while RAS = V<sub>IL</sub>.
3. Address can be changed once or less while CAS = V<sub>IH</sub>.
4. CAS = L (≤ 0.2 V) while RAS = L (≤ 0.2 V).

**Capacitance** ( $T_a = 25^\circ\text{C}$ ,  $V_{CC} = 5\text{ V} \pm 10\%$ )

Parameter	Symbol	Typ	Max	Unit	Notes
Input capacitance (Address)	$C_{I1}$	—	5	pF	1
Input capacitance (Clocks)	$C_{I2}$	—	7	pF	1
Output capacitance (Data-in, Data-out)	$C_{I/O}$	—	7	pF	1, 2

Notes: 1. Capacitance measured with Boonton Meter or effective capacitance measuring method.  
 2.  $\overline{\text{CAS}} = V_{IH}$  to disable Dout.

**AC Characteristics** ( $T_a = 0$  to  $+70^\circ\text{C}$ ,  $V_{CC} = 5\text{ V} \pm 10\%$ ,  $V_{SS} = 0\text{ V}$ )<sup>\*1, \*2, \*18</sup>

**Test Conditions**

- Input rise and fall time: 2 ns
- Input levels:  $V_{IL} = 0\text{ V}$ ,  $V_{IH} = 3\text{ V}$
- Input timing reference levels: 0.8 V, 2.4 V
- Output timing reference levels: 0.8 V, 2.0 V
- Output load: 1 TTL gate +  $C_L$  (100 pF) (Including scope and jig)

# HM5117805 Series

## Read, Write, Read-Modify-Write and Refresh Cycles (Common parameters)

Parameter	Symbol	HM5117805						Unit	Notes
		-5		-6		-7			
		Min	Max	Min	Max	Min	Max		
Random read or write cycle time	$t_{RC}$	84	—	104	—	124	—	ns	
$\overline{RAS}$ precharge time	$t_{RP}$	30	—	40	—	50	—	ns	
$\overline{CAS}$ precharge time	$t_{CP}$	7	—	10	—	13	—	ns	
$\overline{RAS}$ pulse width	$t_{RAS}$	50	10000	60	10000	70	10000	ns	
$\overline{CAS}$ pulse width	$t_{CAS}$	7	10000	10	10000	13	10000	ns	
Row address setup time	$t_{ASR}$	0	—	0	—	0	—	ns	
Row address hold time	$t_{RAH}$	7	—	10	—	10	—	ns	
Column address setup time	$t_{ASC}$	0	—	0	—	0	—	ns	
Column address hold time	$t_{CAH}$	7	—	10	—	13	—	ns	
$\overline{RAS}$ to $\overline{CAS}$ delay time	$t_{RCD}$	11	37	14	45	14	52	ns	3
$\overline{RAS}$ to column address delay time	$t_{RAD}$	9	25	12	30	12	35	ns	4
$\overline{RAS}$ hold time	$t_{RSH}$	10	—	13	—	13	—	ns	
$\overline{CAS}$ hold time	$t_{CSH}$	35	—	40	—	45	—	ns	
$\overline{CAS}$ to $\overline{RAS}$ precharge time	$t_{CRP}$	5	—	5	—	5	—	ns	
$\overline{OE}$ to Din delay time	$t_{OED}$	13	—	15	—	18	—	ns	5
$\overline{OE}$ delay time from Din	$t_{DZO}$	0	—	0	—	0	—	ns	6
$\overline{CAS}$ delay time from Din	$t_{DZC}$	0	—	0	—	0	—	ns	6
Transition time (rise and fall)	$t_T$	2	50	2	50	2	50	ns	7



Read Cycle

Parameter	Symbol	HM5117805						Unit	Notes
		-5		-6		-7			
		Min	Max	Min	Max	Min	Max		
Access time from $\overline{\text{RAS}}$	$t_{\text{RAC}}$	—	50	—	60	—	70	ns	8, 9
Access time from $\overline{\text{CAS}}$	$t_{\text{CAC}}$	—	13	—	15	—	18	ns	9, 10, 17
Access time from address	$t_{\text{AA}}$	—	25	—	30	—	35	ns	9, 11, 17
Access time from $\overline{\text{OE}}$	$t_{\text{OEA}}$	—	13	—	15	—	18	ns	9
Read command setup time	$t_{\text{RCS}}$	0	—	0	—	0	—	ns	
Read command hold time to $\overline{\text{CAS}}$	$t_{\text{RCH}}$	0	—	0	—	0	—	ns	12
Read command hold time from $\overline{\text{RAS}}$	$t_{\text{RCHR}}$	50	—	60	—	70	—	ns	
Read command hold time to $\overline{\text{RAS}}$	$t_{\text{RRH}}$	0	—	0	—	0	—	ns	12
Column address to $\overline{\text{RAS}}$ lead time	$t_{\text{RAL}}$	25	—	30	—	35	—	ns	
Column address to $\overline{\text{CAS}}$ lead time	$t_{\text{CAL}}$	15	—	18	—	23	—	ns	
$\overline{\text{CAS}}$ to output in low-Z	$t_{\text{CLZ}}$	0	—	0	—	0	—	ns	
Output data hold time	$t_{\text{OH}}$	3	—	3	—	3	—	ns	20
Output data hold time from $\overline{\text{OE}}$	$t_{\text{OHO}}$	3	—	3	—	3	—	ns	
Output buffer turn-off time	$t_{\text{OFF}}$	—	13	—	15	—	15	ns	13, 20
Output buffer turn-off to $\overline{\text{OE}}$	$t_{\text{OEZ}}$	—	13	—	15	—	15	ns	13
$\overline{\text{CAS}}$ to Din delay time	$t_{\text{CDD}}$	13	—	15	—	18	—	ns	5
Output data hold time from $\overline{\text{RAS}}$	$t_{\text{OHR}}$	3	—	3	—	3	—	ns	20
Output buffer turn-off to $\overline{\text{RAS}}$	$t_{\text{OFR}}$	—	13	—	15	—	15	ns	20
Output buffer turn-off to $\overline{\text{WE}}$	$t_{\text{WEZ}}$	—	13	—	15	—	15	ns	
$\overline{\text{WE}}$ to Din delay time	$t_{\text{WED}}$	13	—	15	—	18	—	ns	
$\overline{\text{RAS}}$ to Din delay time	$t_{\text{RDD}}$	13	—	15	—	18	—	ns	
$\overline{\text{RAS}}$ next $\overline{\text{CAS}}$ delay time	$t_{\text{RNCD}}$	50	—	60	—	70	—	ns	

# HM5117805 Series

## Write Cycle

		HM5117805							
		-5		-6		-7			
Parameter	Symbol	Min	Max	Min	Max	Min	Max	Unit	Notes
Write command setup time	$t_{WCS}$	0	—	0	—	0	—	ns	14
Write command hold time	$t_{WCH}$	7	—	10	—	13	—	ns	
Write command pulse width	$t_{WP}$	7	—	10	—	10	—	ns	
Write command to $\overline{RAS}$ lead time	$t_{RWL}$	7	—	10	—	13	—	ns	
Write command to $\overline{CAS}$ lead time	$t_{CWL}$	7	—	10	—	13	—	ns	
Data-in setup time	$t_{DS}$	0	—	0	—	0	—	ns	15
Data-in hold time	$t_{DH}$	7	—	10	—	13	—	ns	15

## Read-Modify-Write Cycle

		HM5117805							
		-5		-6		-7			
Parameter	Symbol	Min	Max	Min	Max	Min	Max	Unit	Notes
Read-modify-write cycle time	$t_{RWC}$	111	—	135	—	161	—	ns	
$\overline{RAS}$ to $\overline{WE}$ delay time	$t_{RWD}$	67	—	79	—	92	—	ns	14
$\overline{CAS}$ to $\overline{WE}$ delay time	$t_{CWD}$	30	—	34	—	40	—	ns	14
Column address to $\overline{WE}$ delay time	$t_{AWD}$	42	—	49	—	57	—	ns	14
$\overline{OE}$ hold time from $\overline{WE}$	$t_{OEH}$	13	—	15	—	18	—	ns	

## Refresh Cycle

		HM5117805							
		-5		-6		-7			
Parameter	Symbol	Min	Max	Min	Max	Min	Max	Unit	Notes
$\overline{CAS}$ setup time (CBR refresh cycle)	$t_{CSR}$	5	—	5	—	5	—	ns	
$\overline{CAS}$ hold time (CBR refresh cycle)	$t_{CHR}$	7	—	10	—	10	—	ns	
$\overline{WE}$ setup time (CBR refresh cycle)	$t_{WRP}$	0	—	0	—	0	—	ns	
$\overline{WE}$ hold time (CBR refresh cycle)	$t_{WRH}$	7	—	10	—	10	—	ns	
$\overline{RAS}$ precharge to $\overline{CAS}$ hold time	$t_{RPC}$	5	—	5	—	5	—	ns	

EDO Page Mode Cycle

		HM5117805							
		-5		-6		-7			
Parameter	Symbol	Min	Max	Min	Max	Min	Max	Unit	Notes
EDO page mode cycle time	$t_{HPC}$	20	—	25	—	30	—	ns	19
EDO page mode $\overline{RAS}$ pulse width	$t_{RASP}$	—	100000	—	100000	—	100000	ns	16
Access time from $\overline{CAS}$ precharge	$t_{CPA}$	—	28	—	35	—	40	ns	9, 17
$\overline{RAS}$ hold time from $\overline{CAS}$ precharge	$t_{CPRH}$	28	—	35	—	40	—	ns	
Output data hold time from $\overline{CAS}$ low	$t_{DOH}$	3	—	3	—	3	—	ns	9, 17
$\overline{CAS}$ hold time referred $\overline{OE}$	$t_{COL}$	7	—	10	—	13	—	ns	
$\overline{CAS}$ to $\overline{OE}$ setup time	$t_{COP}$	5	—	5	—	5	—	ns	
Read command hold time from $\overline{CAS}$ precharge	$t_{RCHC}$	28	—	35	—	40	—	ns	

EDO Page Mode Read-Modify-Write Cycle

		HM5117805							
		-5		-6		-7			
Parameter	Symbol	Min	Max	Min	Max	Min	Max	Unit	Notes
EDO page mode read- modify-write cycle time	$t_{HPRWC}$	57	—	68	—	79	—	ns	
$\overline{WE}$ delay time from $\overline{CAS}$ precharge	$t_{CPW}$	45	—	54	—	62	—	ns	14

Refresh

Parameter	Symbol	Max	Unit	Note
Refresh period	$t_{REF}$	32	ms	2048 cycles
Refresh period (L-version)	$t_{REF}$	128	ms	2048 cycles

## Self Refresh Mode (L-version)

		HM5117805L							
		-5		-6		-7			
Parameter	Symbol	Min	Max	Min	Max	Min	Max	Unit	Notes
$\overline{\text{RAS}}$ pulse width (self refresh)	$t_{\text{RASS}}$	100	—	100	—	100	—	$\mu\text{s}$	
$\overline{\text{RAS}}$ precharge time (self refresh)	$t_{\text{RPS}}$	90	—	110	—	130	—	ns	
$\overline{\text{CAS}}$ hold time (self refresh)	$t_{\text{CHS}}$	-50	—	-50	—	-50	—	ns	

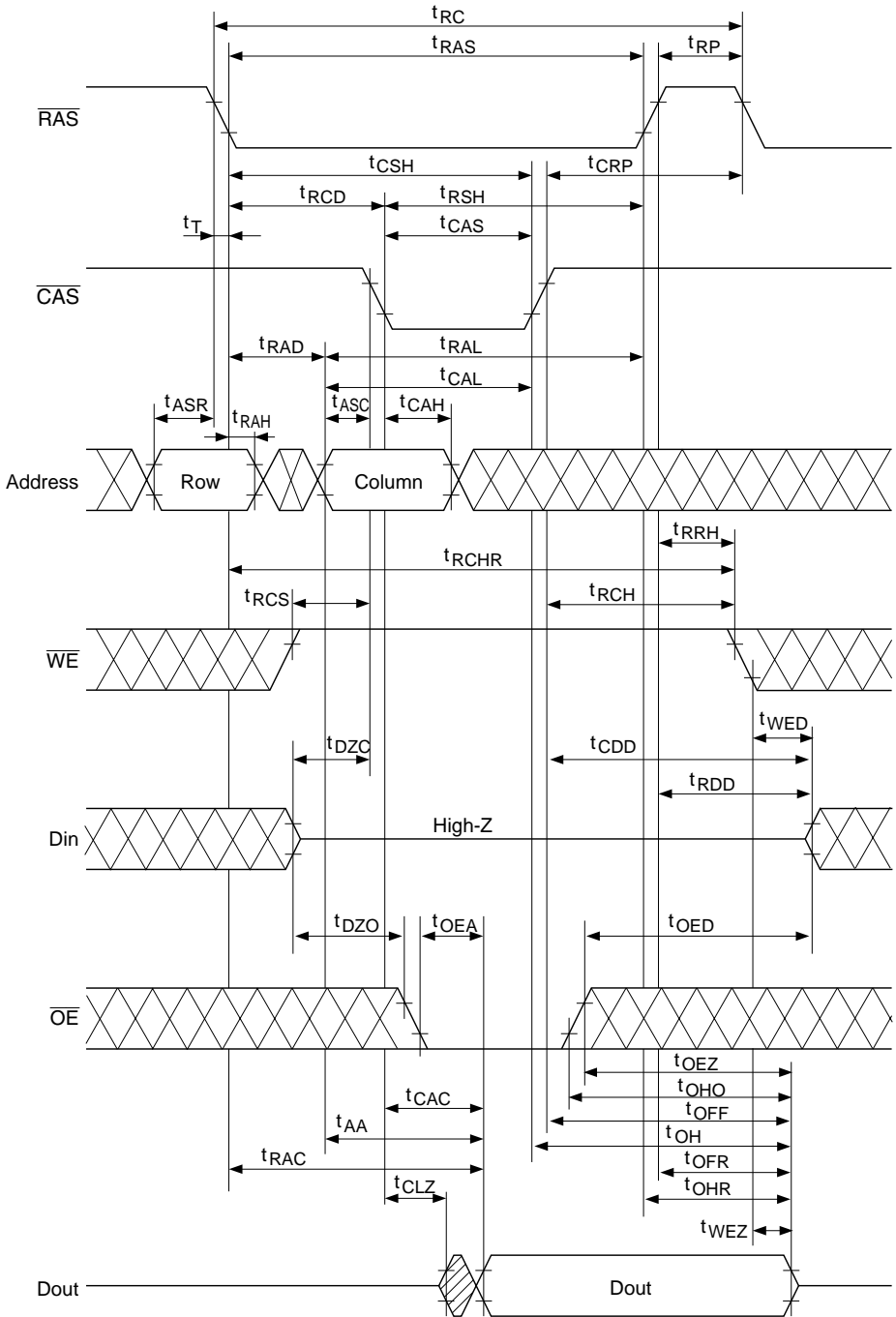
Notes: 1. AC measurements assume  $t_r = 2 \text{ ns}$ .

- An initial pause of  $200 \mu\text{s}$  is required after power up followed by a minimum of eight initialization cycles (any combination of cycles containing  $\overline{\text{RAS}}$ -only refresh or  $\overline{\text{CAS}}$ -before- $\overline{\text{RAS}}$  refresh). If the internal refresh counter is used, a minimum of eight  $\overline{\text{CAS}}$ -before- $\overline{\text{RAS}}$  refresh cycles are required.
- Operation with the  $t_{\text{RCD}}$  (max) limit insures that  $t_{\text{RAC}}$  (max) can be met,  $t_{\text{RCD}}$  (max) is specified as a reference point only; if  $t_{\text{RCD}}$  is greater than the specified  $t_{\text{RCD}}$  (max) limit, then access time is controlled exclusively by  $t_{\text{CAC}}$ .
- Operation with the  $t_{\text{RAD}}$  (max) limit insures that  $t_{\text{RAC}}$  (max) can be met,  $t_{\text{RAD}}$  (max) is specified as a reference point only; if  $t_{\text{RAD}}$  is greater than the specified  $t_{\text{RAD}}$  (max) limit, then access time is controlled exclusively by  $t_{\text{AA}}$ .
- Either  $t_{\text{OED}}$  or  $t_{\text{CDD}}$  must be satisfied.
- Either  $t_{\text{DZO}}$  or  $t_{\text{DZC}}$  must be satisfied.
- $V_{\text{IH}}$  (min) and  $V_{\text{IL}}$  (max) are reference levels for measuring timing of input signals. Also, transition times are measured between  $V_{\text{IH}}$  (min) and  $V_{\text{IL}}$  (max).
- Assumes that  $t_{\text{RCD}} \leq t_{\text{RCD}}$  (max) and  $t_{\text{RAD}} \leq t_{\text{RAD}}$  (max). If  $t_{\text{RCD}}$  or  $t_{\text{RAD}}$  is greater than the maximum recommended value shown in this table,  $t_{\text{RAC}}$  exceeds the value shown.
- Measured with a load circuit equivalent to 1 TTL loads and  $100 \text{ pF}$ .
- Assumes that  $t_{\text{RCD}} \geq t_{\text{RCD}}$  (max) and  $t_{\text{RAD}} \leq t_{\text{RAD}}$  (max).
- Assumes that  $t_{\text{RCD}} \leq t_{\text{RCD}}$  (max) and  $t_{\text{RAD}} \geq t_{\text{RAD}}$  (max).
- Either  $t_{\text{RCH}}$  or  $t_{\text{RRH}}$  must be satisfied for a read cycles.
- $t_{\text{OFF}}$  (max) and  $t_{\text{OEZ}}$  (max) define the time at which the outputs achieve the open circuit condition and are not referred to output voltage levels.
- $t_{\text{WCS}}$ ,  $t_{\text{RWD}}$ ,  $t_{\text{CWD}}$ ,  $t_{\text{AWD}}$  and  $t_{\text{CPW}}$  are not restrictive operating parameters. They are included in the data sheet as electrical characteristics only; if  $t_{\text{WCS}} \geq t_{\text{WCS}}$  (min), the cycle is an early write cycle and the data out pin will remain open circuit (high impedance) throughout the entire cycle; if  $t_{\text{RWD}} \geq t_{\text{RWD}}$  (min),  $t_{\text{CWD}} \geq t_{\text{CWD}}$  (min), and  $t_{\text{AWD}} \geq t_{\text{AWD}}$  (min), or  $t_{\text{CWD}} \geq t_{\text{CWD}}$  (min),  $t_{\text{AWD}} \geq t_{\text{AWD}}$  (min) and  $t_{\text{CPW}} \geq t_{\text{CPW}}$  (min), the cycle is a read-modify-write and the data output will contain data read from the selected cell; if neither of the above sets of conditions is satisfied, the condition of the data out (at access time) is indeterminate.
- These parameters are referred to  $\overline{\text{CAS}}$  leading edge in early write cycles and to  $\overline{\text{WE}}$  leading edge in delayed write or read-modify-write cycles.
- $t_{\text{RASP}}$  defines  $\overline{\text{RAS}}$  pulse width in EDO page mode cycles.
- Access time is determined by the longest among  $t_{\text{AA}}$ ,  $t_{\text{CAC}}$  and  $t_{\text{CPA}}$ .
- In delayed write or read-modify-write cycles,  $\overline{\text{OE}}$  must disable output buffer prior to applying data to the device.

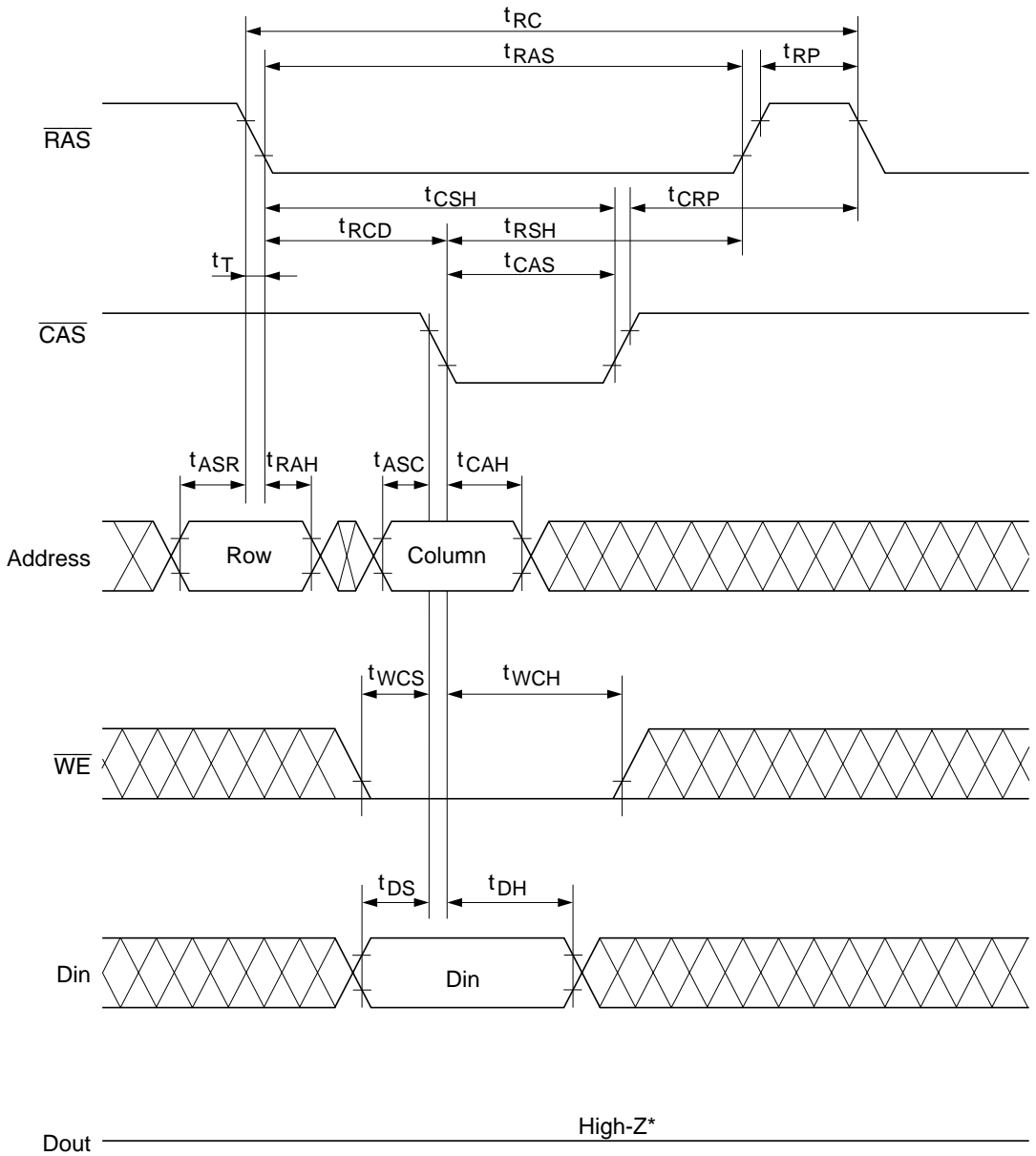
19.  $t_{\text{HPC}}$  (min) can be achieved during a series of EDO page mode write cycles or EDO page mode read cycles. If both write and read operation are mixed in a EDO page mode  $\overline{\text{RAS}}$  cycle (EDO page mode mix cycle (1), (2)), minimum value of  $\overline{\text{CAS}}$  cycle ( $t_{\text{CAS}} + t_{\text{CP}} + 2 t_r$ ) becomes greater than the specified  $t_{\text{HPC}}$  (min) value. The value of  $\overline{\text{CAS}}$  cycle time of mixed EDO page mode is shown in EDO page mode mix cycle (1) and (2).
20. Data output turns off and becomes high impedance from later rising edge of  $\overline{\text{RAS}}$  and  $\overline{\text{CAS}}$ . Hold time and turn off time are specified by the timing specifications of later rising edge of  $\overline{\text{RAS}}$  and  $\overline{\text{CAS}}$  between  $t_{\text{OHR}}$  and  $t_{\text{OH}}$  and between  $t_{\text{OFR}}$  and  $t_{\text{OFF}}$ .
21. Please do not use  $t_{\text{RASS}}$  timing,  $10 \mu\text{s} \leq t_{\text{RASS}} \leq 100 \mu\text{s}$ . During this period, the device is in transition state from normal operation mode to self refresh mode. If  $t_{\text{RASS}} \geq 100 \mu\text{s}$ , then  $\overline{\text{RAS}}$  precharge time should use  $t_{\text{RPS}}$  instead of  $t_{\text{RP}}$ .
22. If you use  $\overline{\text{RAS}}$  only refresh or CBR burst refresh mode in normal read/write cycles, 2048 cycles of distributed CBR refresh with  $15.6 \mu\text{s}$  interval should be executed within 32 ms immediately after exiting from and before entering into the self refresh mode.
23. If you use distributed CBR refresh mode with  $15.6 \mu\text{s}$  interval in normal read/write cycle, CBR refresh should be executed within  $15.6 \mu\text{s}$  immediately after exiting from and before entering into self refresh mode.
24. Repetitive self refresh mode without refreshing all memory is not allowed. Once you exit from self refresh mode, all memory cells need to be refreshed before re-entering the self refresh mode again.
25. XXX: H or L (H:  $V_{\text{IH}}(\text{min}) \leq V_{\text{IN}} \leq V_{\text{IH}}(\text{max})$ , L:  $V_{\text{IL}}(\text{min}) \leq V_{\text{IN}} \leq V_{\text{IL}}(\text{max})$ )  
 //////////////: Invalid Dout  
 When the address, clock and input pins are not described on timing waveforms, their pins must be applied  $V_{\text{IH}}$  or  $V_{\text{IL}}$ .

## Timing Waveforms <sup>\*25</sup>

### Read Cycle



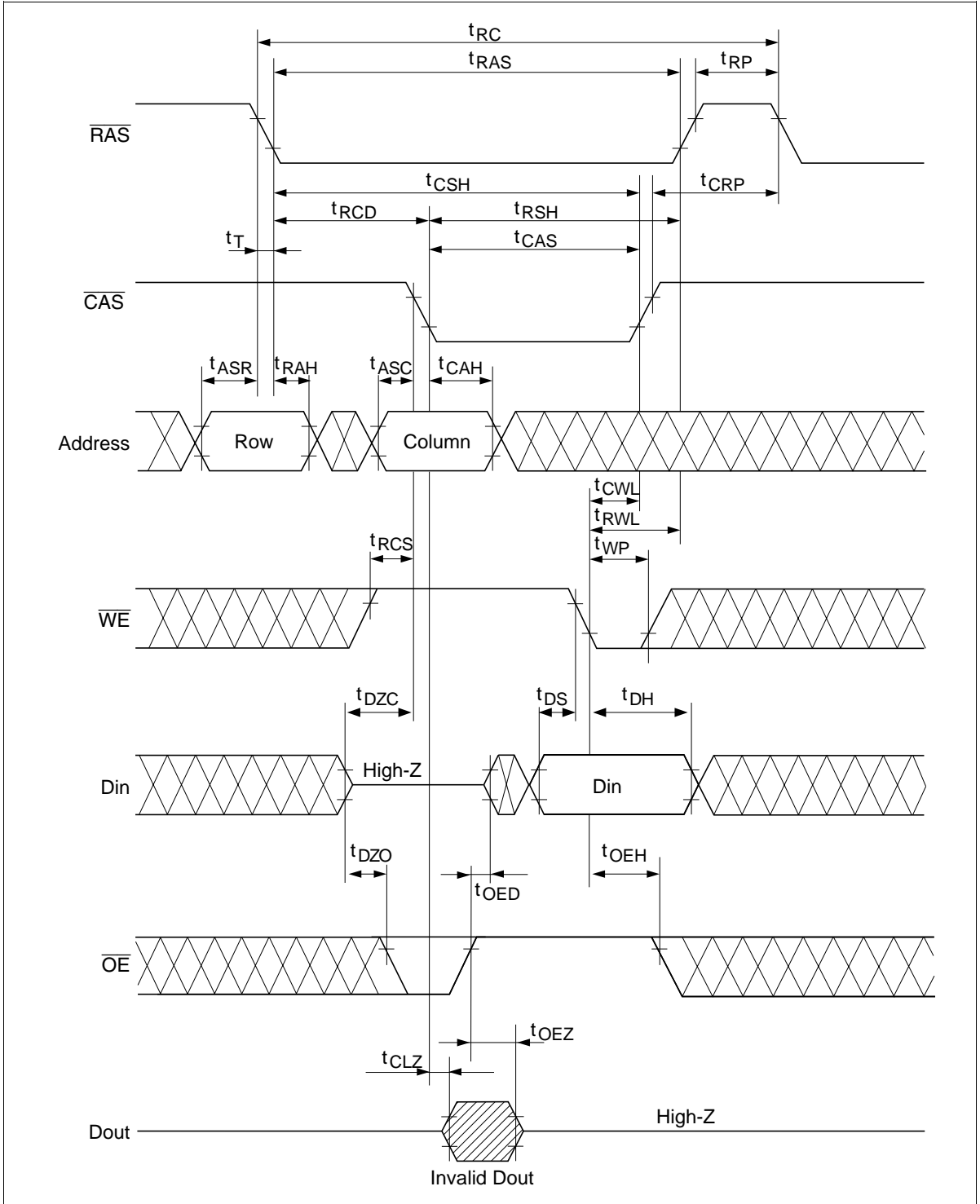
Early Write Cycle



\*  $t_{\text{WCS}} \geq t_{\text{WCS}}(\text{min})$

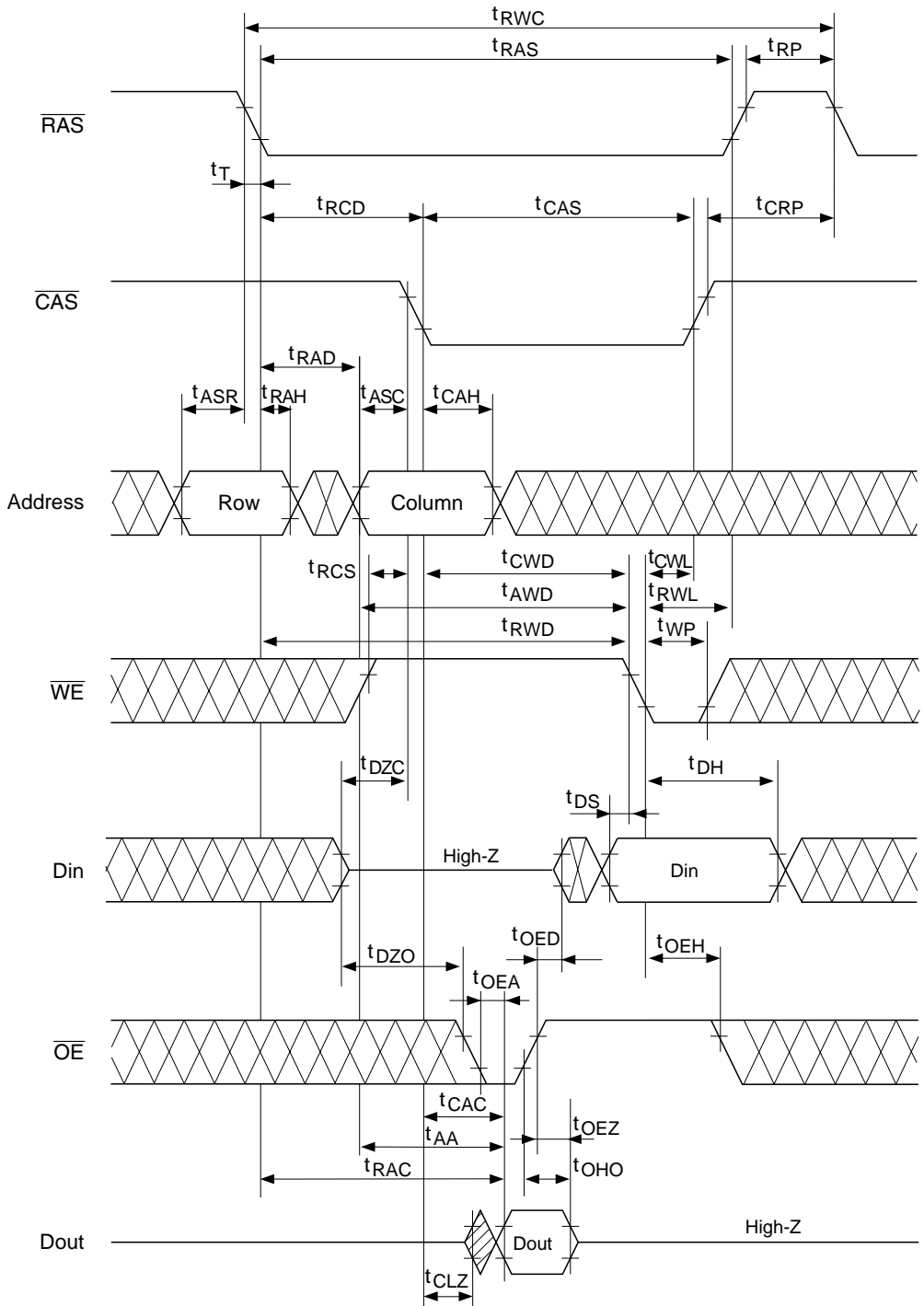
# HM5117805 Series

## Delayed Write Cycle <sup>\*18</sup>

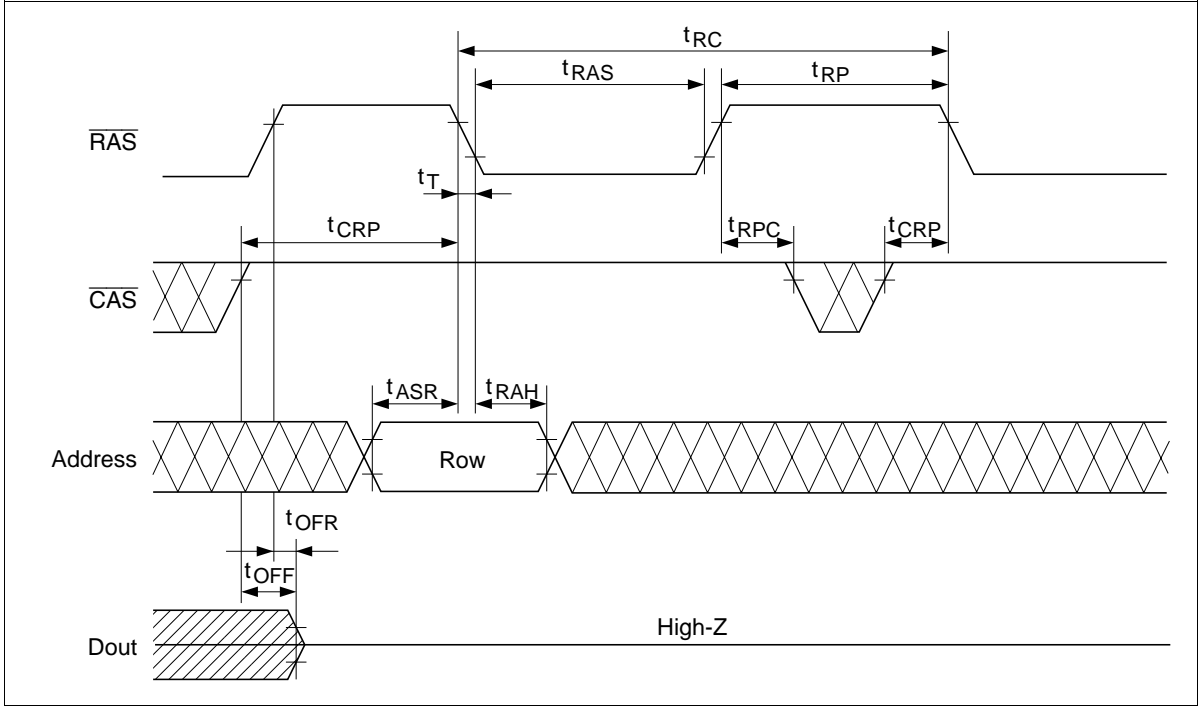




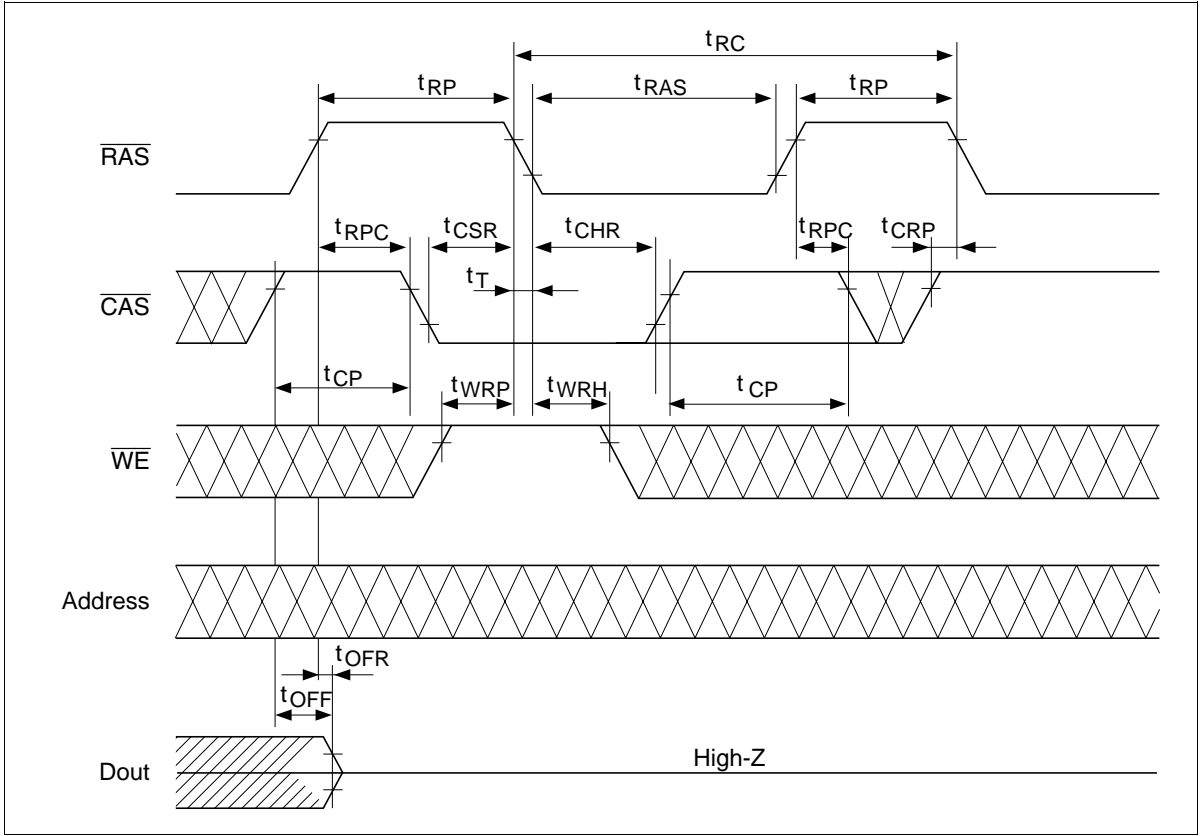
Read-Modify-Write Cycle<sup>\*18</sup>



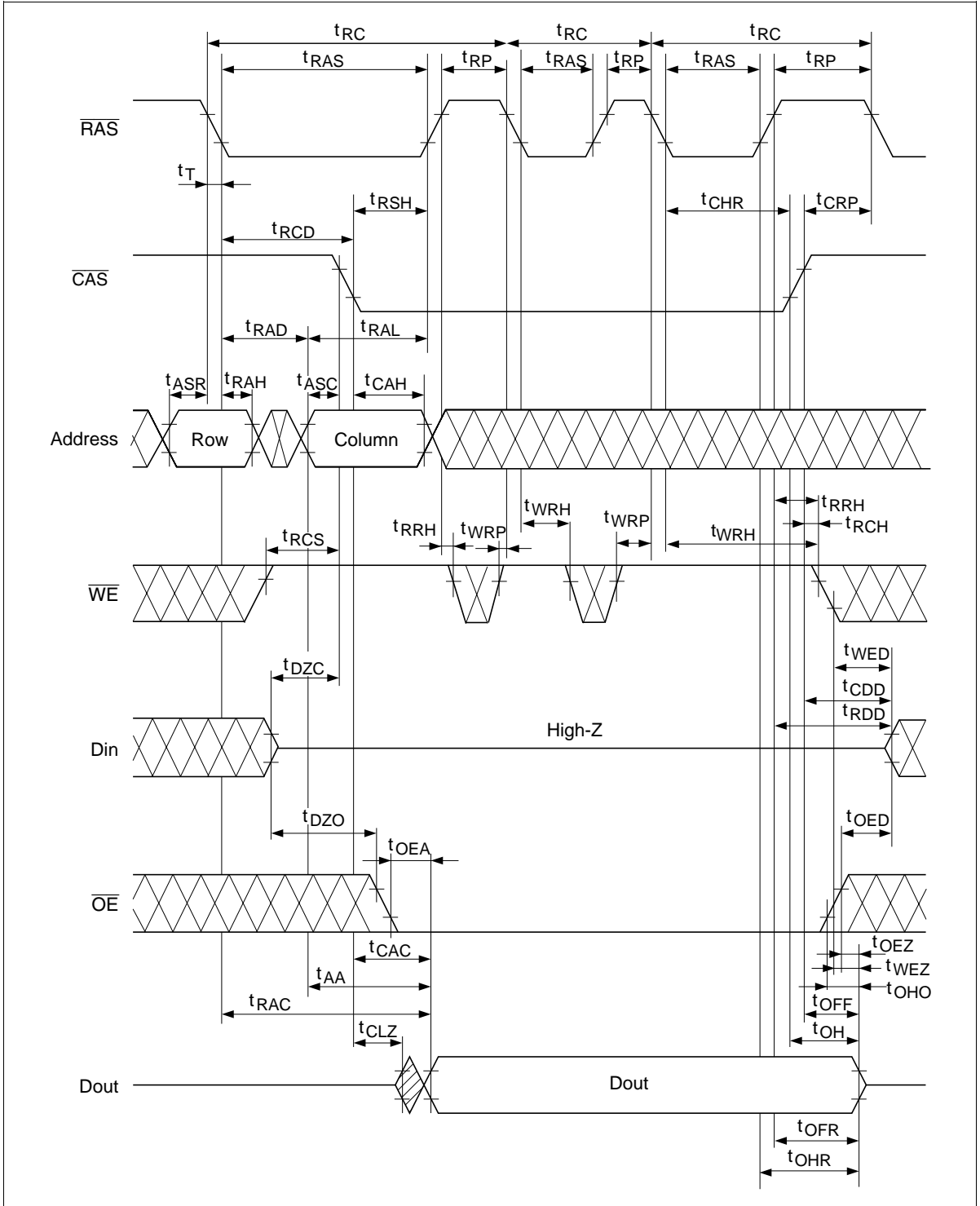
RAS-Only Refresh Cycle



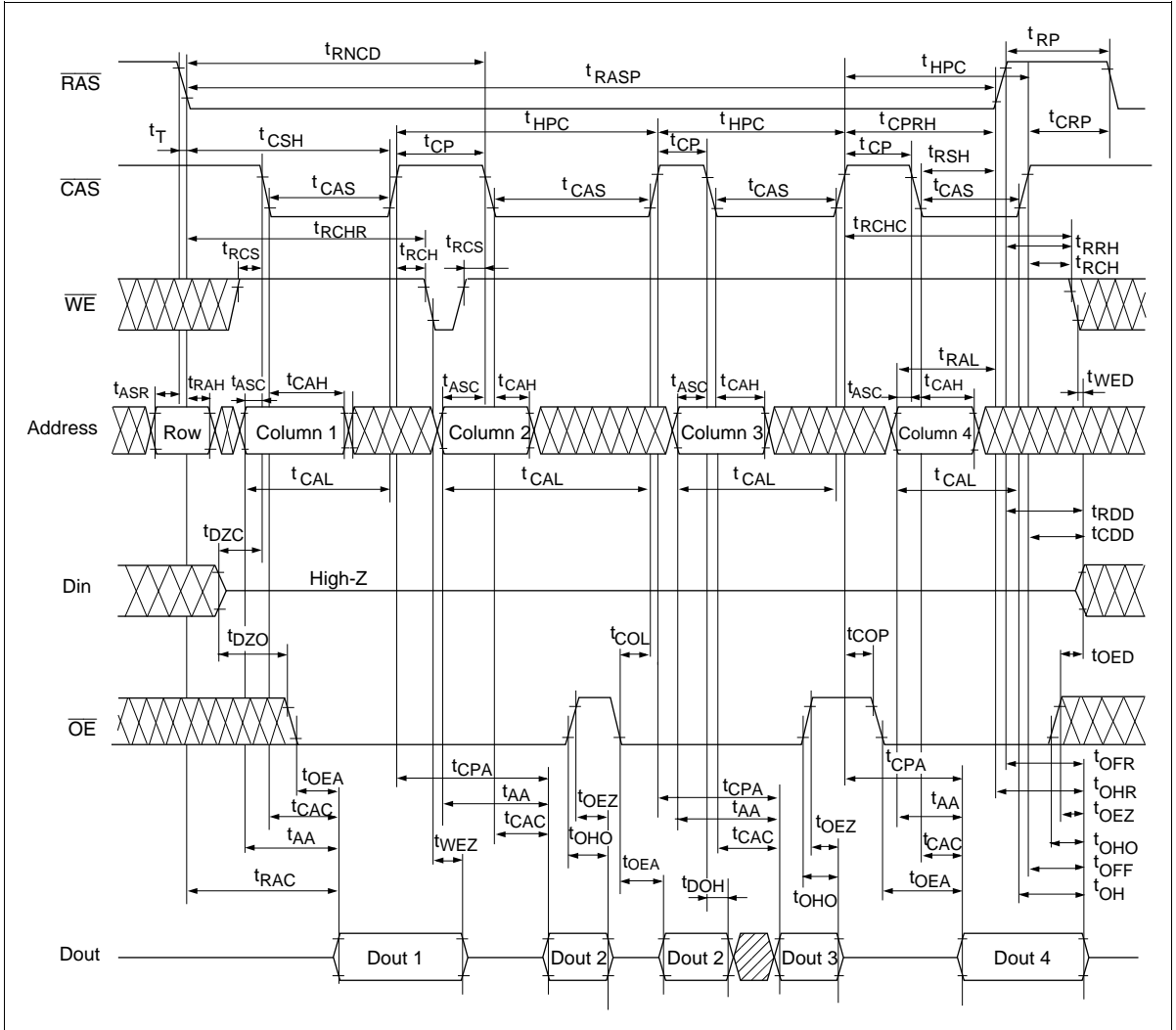
CAS-Before-RAS Refresh Cycle



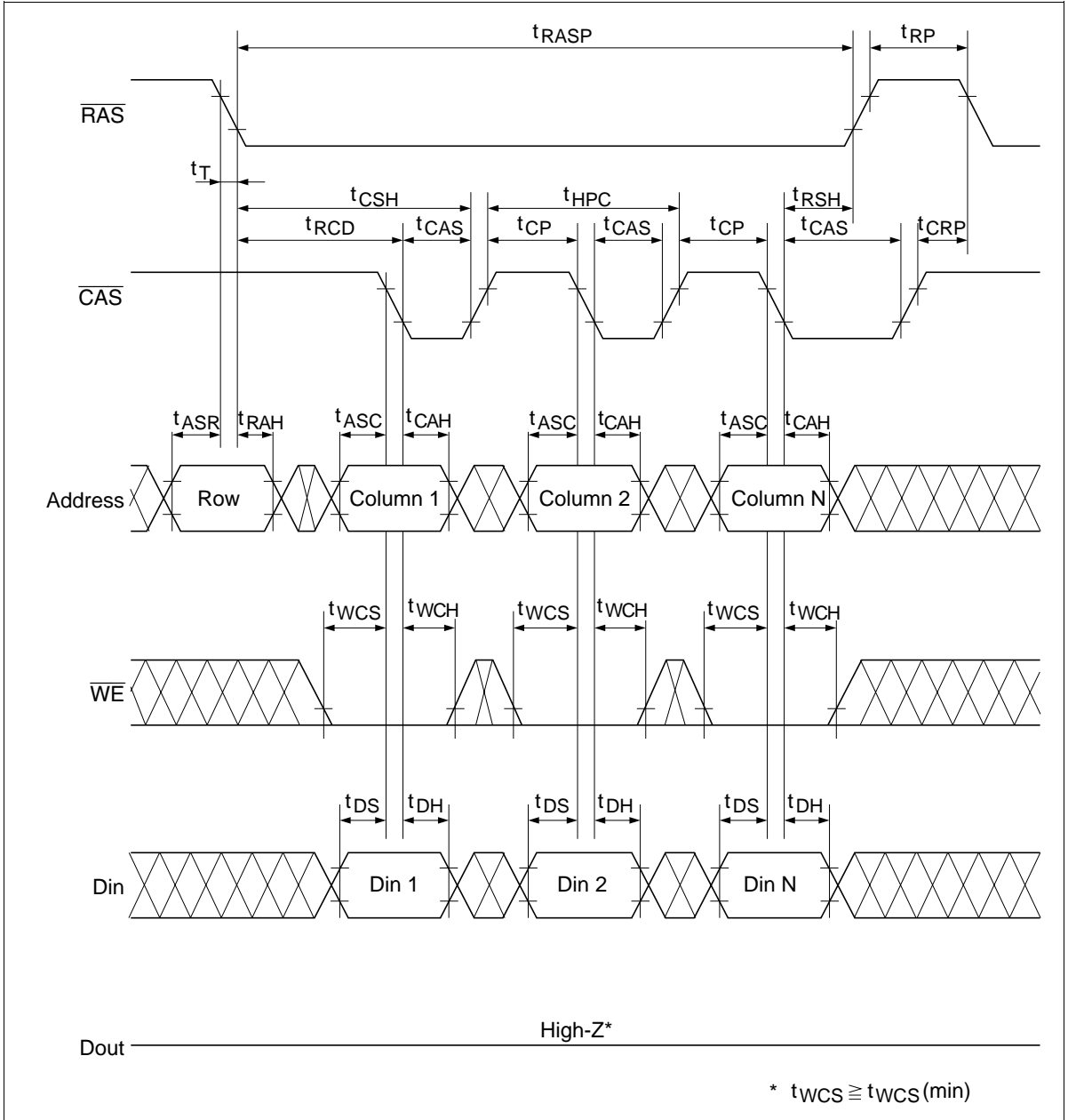
## Hidden Refresh Cycle



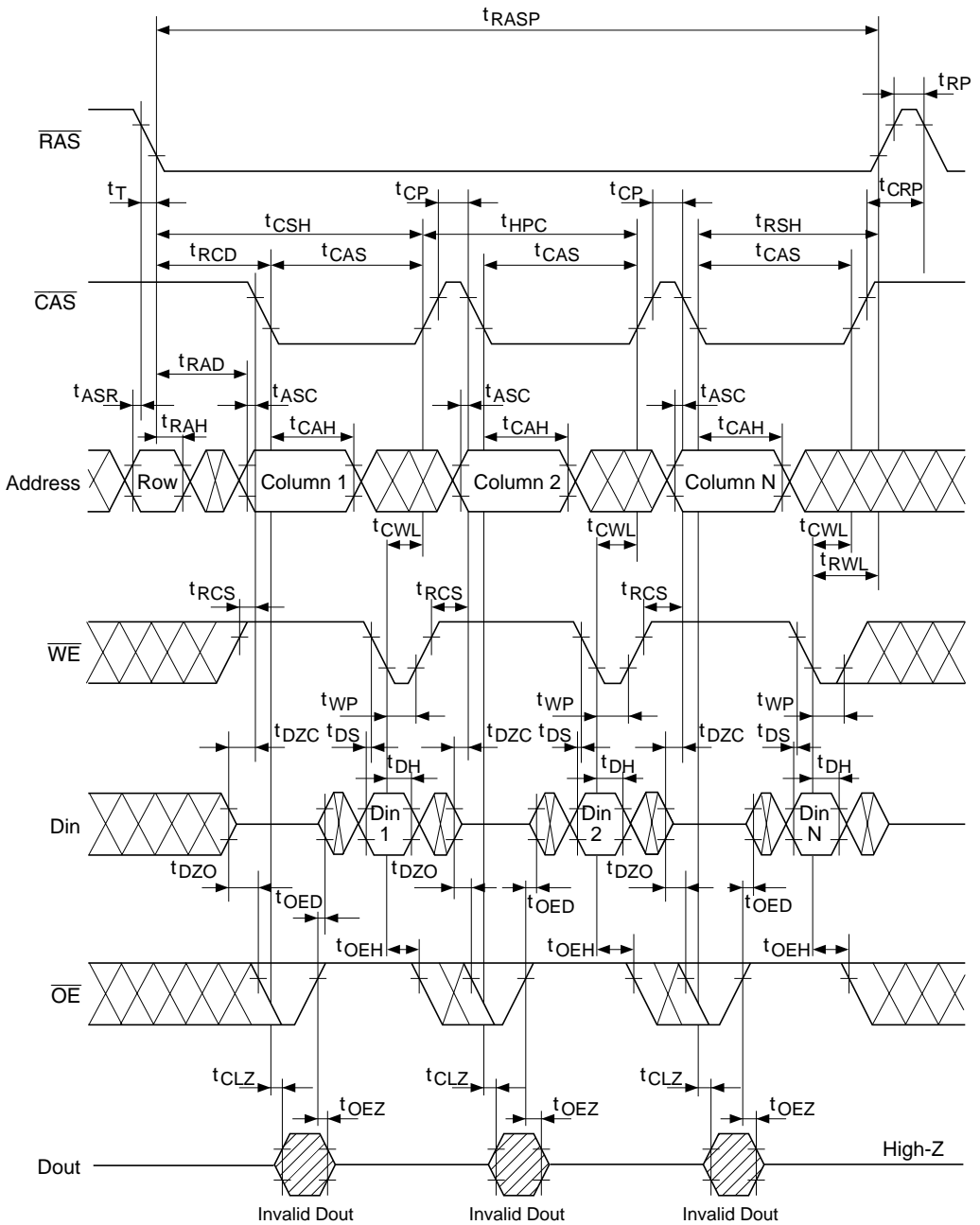
EDO Page Mode Read Cycle



## EDO Page Mode Early Write Cycle

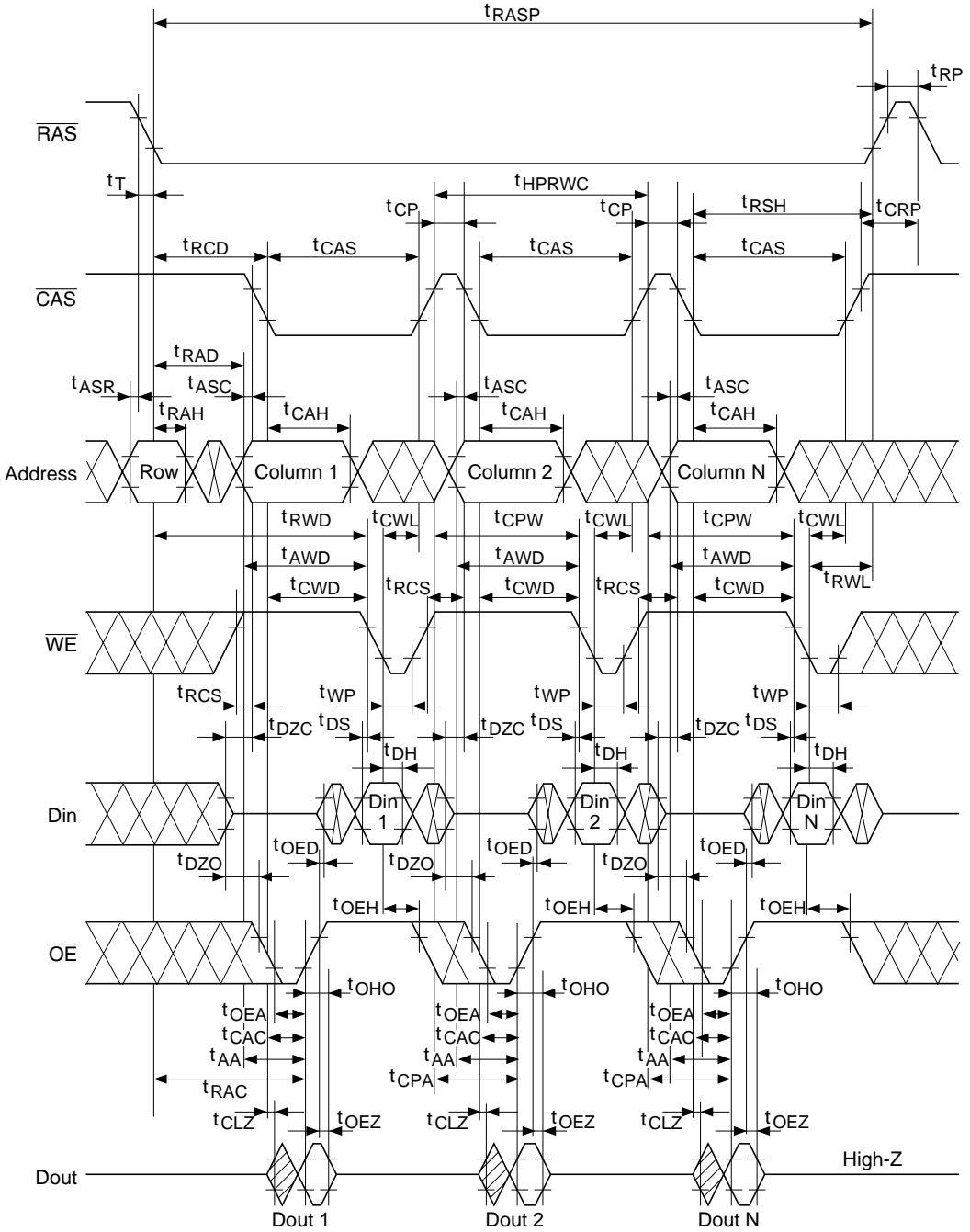


EDO Page Mode Delayed Write Cycle<sup>\*18</sup>



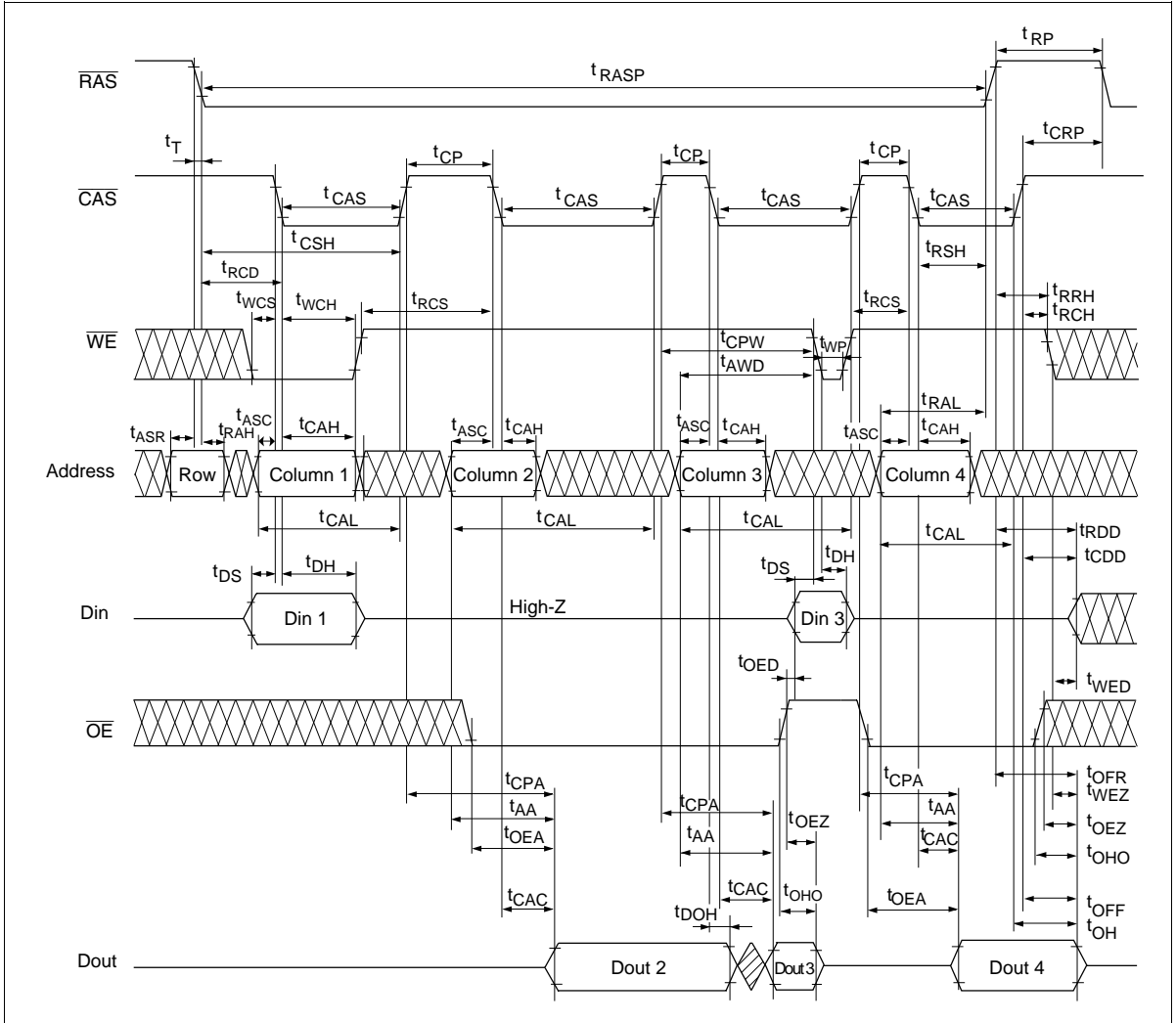
# HM5117805 Series

## EDO Page Mode Read-Modify-Write Cycle<sup>\*18</sup>

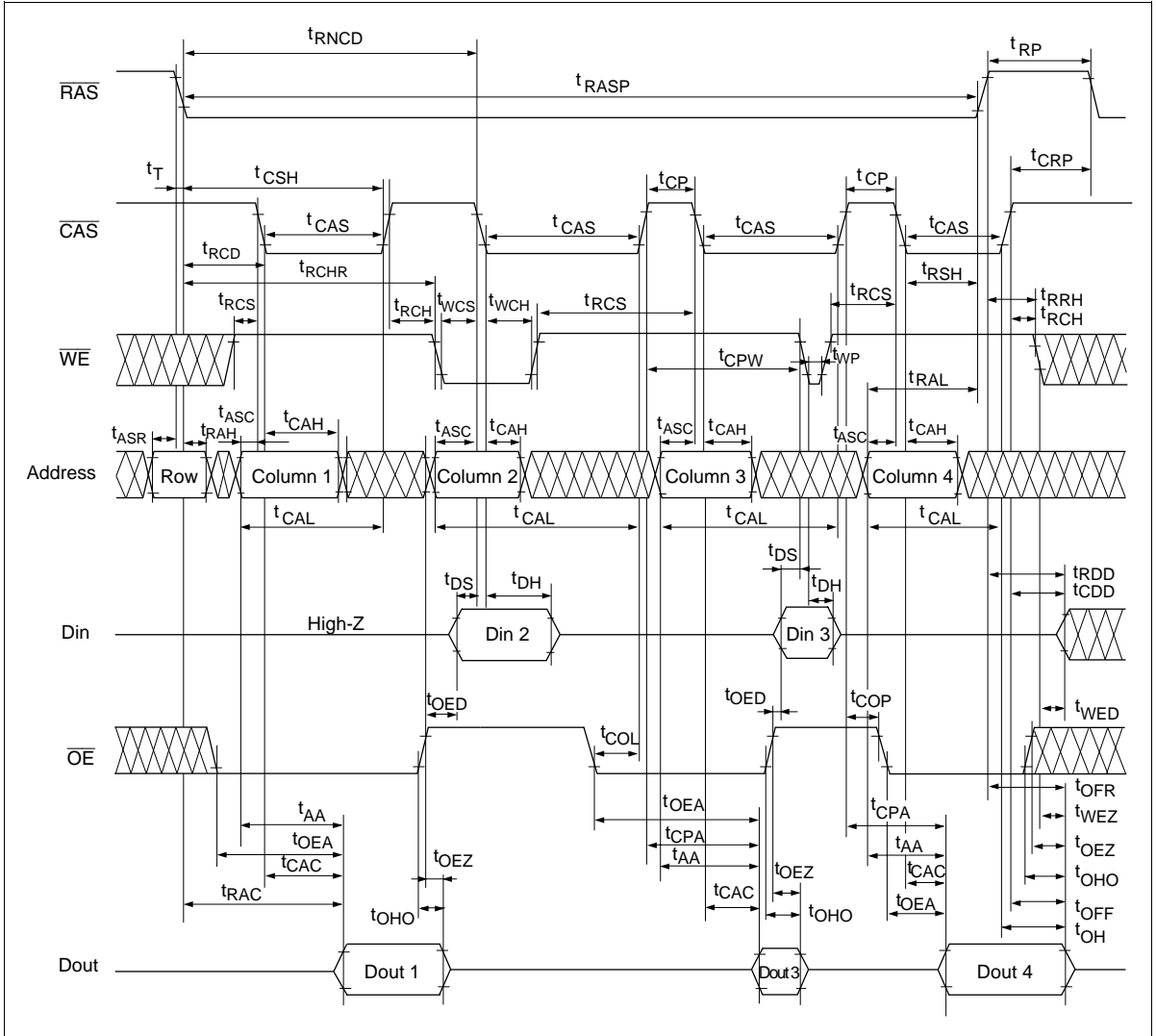




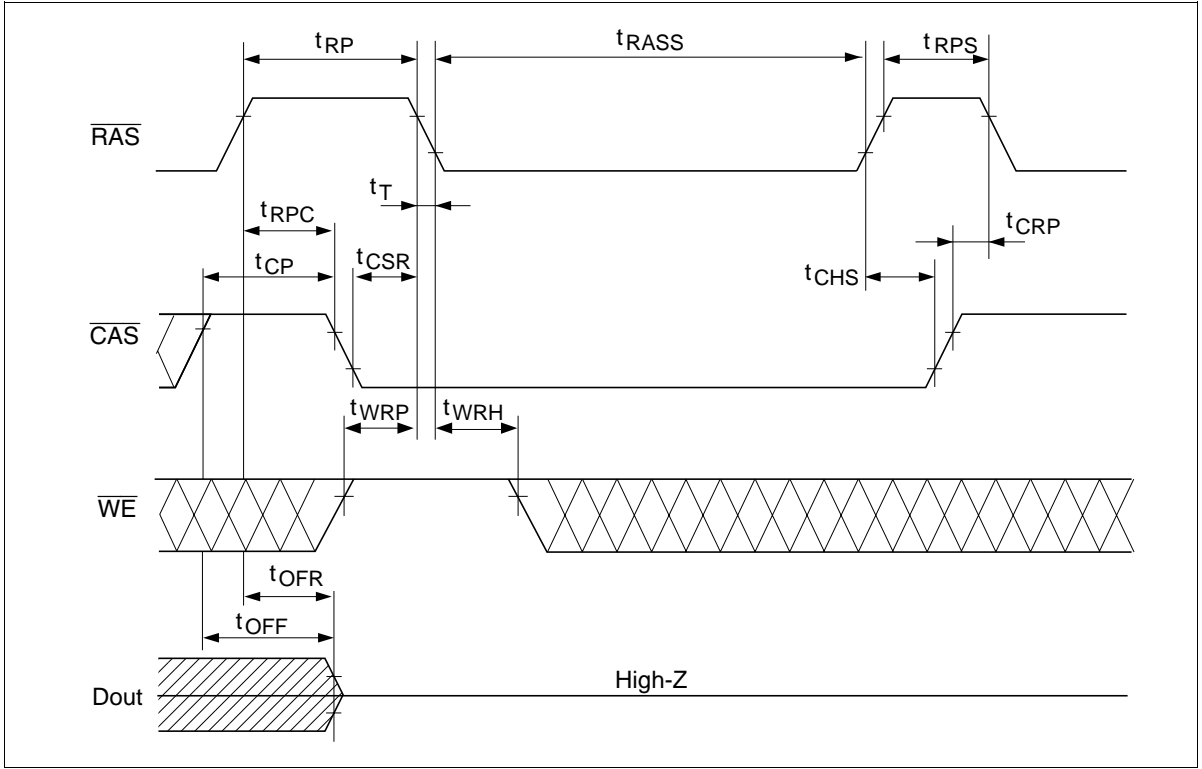
EDO Page Mode Mix Cycle (1)



## EDO Page Mode Mix Cycle (2)



Self Refresh Cycle (L-version) \*21, 22, 23, 24

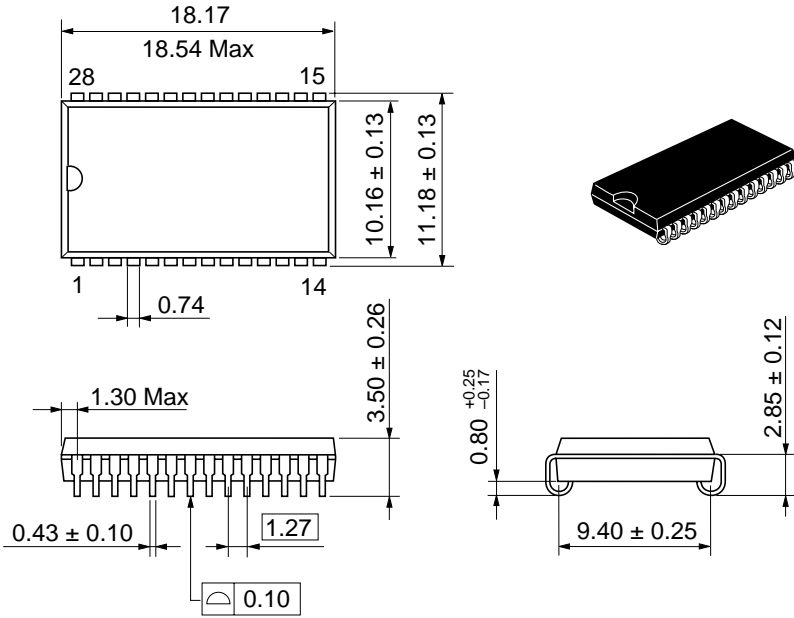


# HM5117805 Series

## Package Dimensions

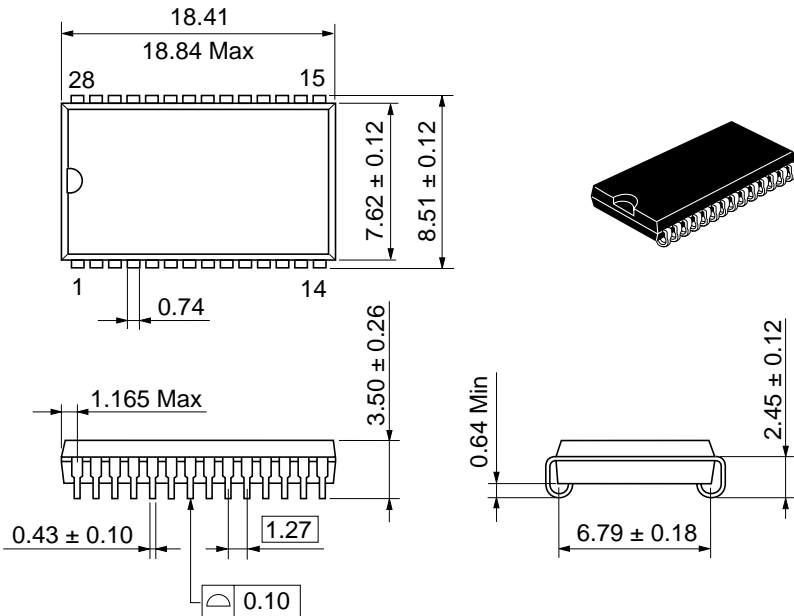
HM5117805J/LJ Series (CP-28DA)

Unit: mm



HM5117805S/LS Series (CP-28DNA)

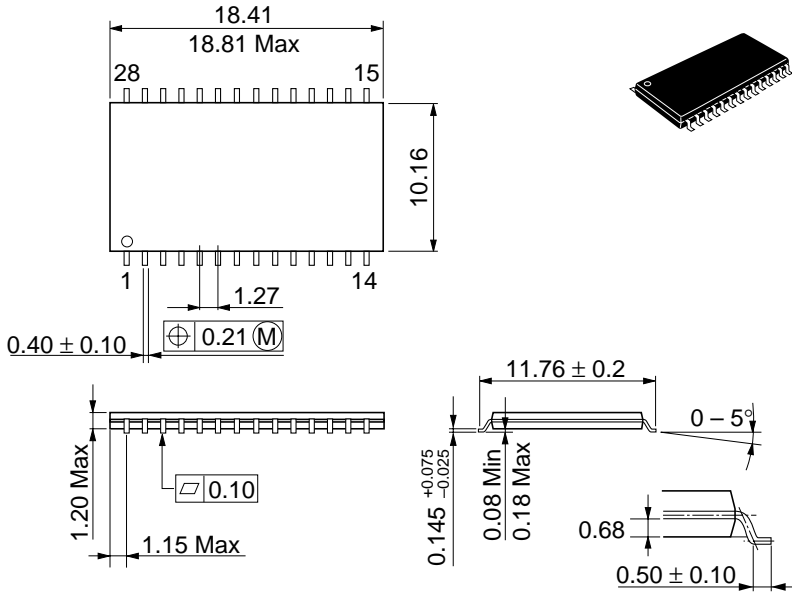
Unit: mm



HITACHI

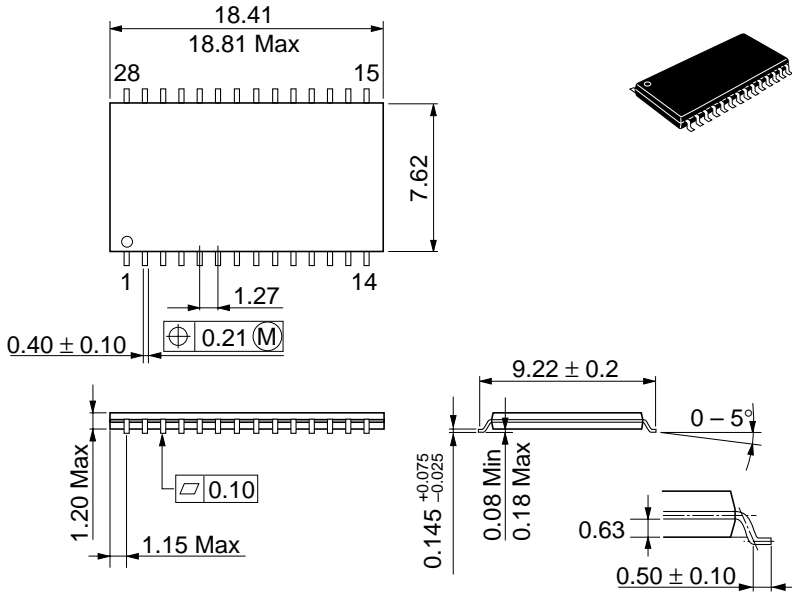
## HM5117805TT/LTT Series (TTP-28DA)

Unit: mm



## HM5117805TS/LTS Series (TTP-28DB)

Unit: mm



When using this document, keep the following in mind:

1. This document may, wholly or partially, be subject to change without notice.
2. All rights are reserved: No one is permitted to reproduce or duplicate, in any form, the whole or part of this document without Hitachi's permission.
3. Hitachi will not be held responsible for any damage to the user that may result from accidents or any other reasons during operation of the user's unit according to this document.
4. Circuitry and other examples described herein are meant merely to indicate the characteristics and performance of Hitachi's semiconductor products. Hitachi assumes no responsibility for any intellectual property claims or other problems that may result from applications based on the examples described herein.
5. No license is granted by implication or otherwise under any patents or other rights of any third party or Hitachi, Ltd.
6. **MEDICAL APPLICATIONS:** Hitachi's products are not authorized for use in **MEDICAL APPLICATIONS** without the written consent of the appropriate officer of Hitachi's sales company. Such use includes, but is not limited to, use in life support systems. Buyers of Hitachi's products are requested to notify the relevant Hitachi sales offices when planning to use the products in **MEDICAL APPLICATIONS**.

# HITACHI

## Hitachi, Ltd.

Semiconductor & IC Div.  
Nippon Bldg., 2-6-2, Ohte-machi, Chiyoda-ku, Tokyo 100, Japan  
Tel: Tokyo (03) 3270-2111  
Fax: (03) 3270-5109

### For further information write to:

Hitachi America, Ltd.  
Semiconductor & IC Div.  
2000 Sierra Point Parkway  
Brisbane, CA. 94005-1835  
U S A  
Tel: 415-589-8300  
Fax: 415-583-4207

Hitachi Europe GmbH  
Electronic Components Group  
Continental Europe  
Dornacher Straße 3  
D-85622 Feldkirchen  
München  
Tel: 089-9 91 80-0  
Fax: 089-9 29 30 00

Hitachi Europe Ltd.  
Electronic Components Div.  
Northern Europe Headquarters  
Whitebrook Park  
Lower Cookham Road  
Maidenhead  
Berkshire SL6 8YA  
United Kingdom  
Tel: 0628-585000  
Fax: 0628-778322

Hitachi Asia Pte. Ltd.  
16 Collyer Quay #20-00  
Hitachi Tower  
Singapore 0104  
Tel: 535-2100  
Fax: 535-1533

Hitachi Asia (Hong Kong) Ltd.  
Unit 706, North Tower,  
World Finance Centre,  
Harbour City, Canton Road  
Tsim Sha Tsui, Kowloon  
Hong Kong  
Tel: 27359218  
Fax: 27306071

Revision Record

Rev.	Date	Contents of Modification	Drawn by	Approved by
1.0	Oct. 1, 1996	Initial issue	Y. Kasama	M. Mishima
2.0	Nov. 8, 1996	<p>Addition of HM5117805-5 Series</p> <p>Addition of HM5117805S/LS Series (CP-28DNA)</p> <p>Addition of HM5117805TS/LTS Series (TTP-28DB)</p> <p>Power dissipation (active)</p> <p>660/605 mW(max) to 605/550/495 mW (max)</p> <p>DC Characteristics</p> <p><math>I_{CC1}</math> max: 120/110 mA to 110/100/90 mA</p> <p><math>I_{CC3}</math> max: 120/110 mA to 110/100/90 mA</p> <p><math>I_{CC6}</math> max: 120/110 mA to 110/100/90 mA</p> <p><math>I_{CC7}</math> max: 120/110 mA to 100/90/85 mA</p> <p>AC Characteristics</p> <p><math>t_{RCD}</math> min: 20/20 ns to 11/14/14 ns</p> <p><math>t_{RAD}</math> min: 15/15 ns to 9/12/12 ns</p> <p><math>t_{RSH}</math> min: 15/18 ns to 10/13/13 ns</p> <p><math>t_{RRH}</math> min: 0/0 ns to 5/5/5 ns</p> <p><math>t_{RWC}</math> min: 149/175 ns to 111/135/161 ns</p> <p><math>t_{RWD}</math> min: 82/95 ns to 67/79/92 ns</p> <p><math>t_{CWD}</math> min: 37/43 ns to 30/34/40 ns</p> <p><math>t_{AWD}</math> min: 52/60 ns to 42/49/57 ns</p> <p><math>t_{RPC}</math> min: 0/0 ns to 5/5/5 ns</p> <p><math>t_{HPRWC}</math> min: 79/90 ns to 57/68/79 ns</p> <p>Timing Waveforms</p> <p>Addition of <math>t_{RNCD}</math> timing to EDO page mode mix cycle (2)</p>	Y. Kasama	Y. Matsuno
3.0	Feb. 25, 1997	<p>AC Characteristics</p> <p><math>t_{RRH}</math> min: 5/5/5 ns to 0/0/0 ns</p>		