

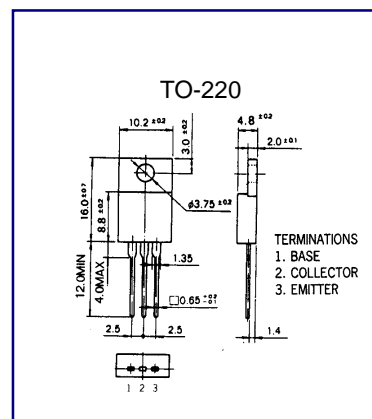


TIP127 PNP SILICON DARLINGTON TRANSISTOR

SWITCHING REGULATORS PWM INVERTERS
SOLENOID AND RELAY DRIVERS

ABSOLUTE MAXIMUM RATINGS ($T_A=25^\circ\text{C}$)

Characteristic	Symbol	Rating	Unit
Collector-Base Voltage	V_{CB0}	-100	V
Collector-Emitter Voltage	V_{CEO}	-100	V
Collector Current (DC)	I_C	-5	A
Collector Dissipation ($T_c=25^\circ\text{C}$)	P_C	60	W
Junction Temperature	T_j	150	$^\circ\text{C}$
Storage Temperature	T_{stg}	-50~150	$^\circ\text{C}$



ELECTRICAL CHARACTERISTICS ($T_A=25^\circ\text{C}$)

Characteristic	Symbol	Test Condition	Min	Typ	Max	Unit
Collector Cutoff Current	I_{CBO}	$V_{CB} = -100\text{V}, I_E = 0$			-10	μA
Collector Cutoff Current	I_{CEO}	$V_{CB} = -100\text{V}, I_B = 0$			-10	μA
DC Current Gain	h_{FE}	$V_{CE} = -5\text{V}, I_C = -0.5\text{A}$	1000		12000	
Collector- Emitter Saturation Voltage	$V_{CE(sat)}$	$I_C = -0.5\text{A}, I_B = -0.001\text{A}$			-1.5	V