

# DATA SHEET

## **74ABT162827A**

20-bit buffer/line driver, non-inverting,  
with 30  $\Omega$  termination resistors (3-State)

Product data

2002 Apr 03

Replaces 74ABT162827A/74ABTH162827A dated 1998 Feb 27

## 20-bit buffer/line driver, non-inverting, with 30 $\Omega$ termination resistors (3-State)

## 74ABT162827A

### FEATURES

- Multiple  $V_{CC}$  and GND pins minimize switching noise
- Live insertion/extraction permitted
- 3-State output buffers
- Power-up 3-State
- Output capability: +64 mA/-32 mA
- Latch-up protection exceeds 500 mA per Jedec Std 17
- ESD protection exceeds 2000 V per MIL STD 883 Method 3015 and 200 V per Machine Model

### DESCRIPTION

The 74ABT162827A high-performance BiCMOS device combines low static and dynamic power dissipation with high speed and high output drive.

The 74ABT162827A 20-bit buffers provide high performance bus interface buffering for wide data/address paths or buses carrying parity. They have NOR Output Enables ( $\overline{nOE1}$ ,  $\overline{nOE2}$ ) for maximum control flexibility.

The 74ABT162827A is designed with 30  $\Omega$  series resistance in both the pull-up and pull-down output structures. This design reduces line noise in applications such as memory address drivers, clock drivers and bus receivers/transmitters.

### QUICK REFERENCE DATA

SYMBOL	PARAMETER	CONDITIONS $T_{amb} = 25\text{ }^{\circ}\text{C}$ ; GND = 0 V	TYPICAL	UNIT
$t_{PLH}$ $t_{PHL}$	Propagation delay nAx to nYx	$C_L = 50\text{ pF}$ ; $V_{CC} = 5\text{ V}$	1.8 1.9	ns
$C_{IN}$	Input capacitance	$V_I = 0\text{ V}$ or $V_{CC}$	4	pF
$C_{OUT}$	Output capacitance	$V_O = 0\text{ V}$ or $V_{CC}$ ; 3-State	6	pF
$I_{CCZ}$	Quiescent supply current	Outputs disabled; $V_{CC} = 5.5\text{ V}$	500	$\mu\text{A}$
$I_{CCL}$		Outputs LOW; $V_{CC} = 5.5\text{ V}$	9	mA

### ORDERING INFORMATION

PACKAGES	TEMPERATURE RANGE	ORDER CODE	DWG NUMBER
56-Pin Plastic SSOP Type III	-40 $^{\circ}\text{C}$ to +85 $^{\circ}\text{C}$	74ABT162827ADL	SOT371-1
56-Pin Plastic TSSOP Type II	-40 $^{\circ}\text{C}$ to +85 $^{\circ}\text{C}$	74ABT162827ADGG	SOT364-1

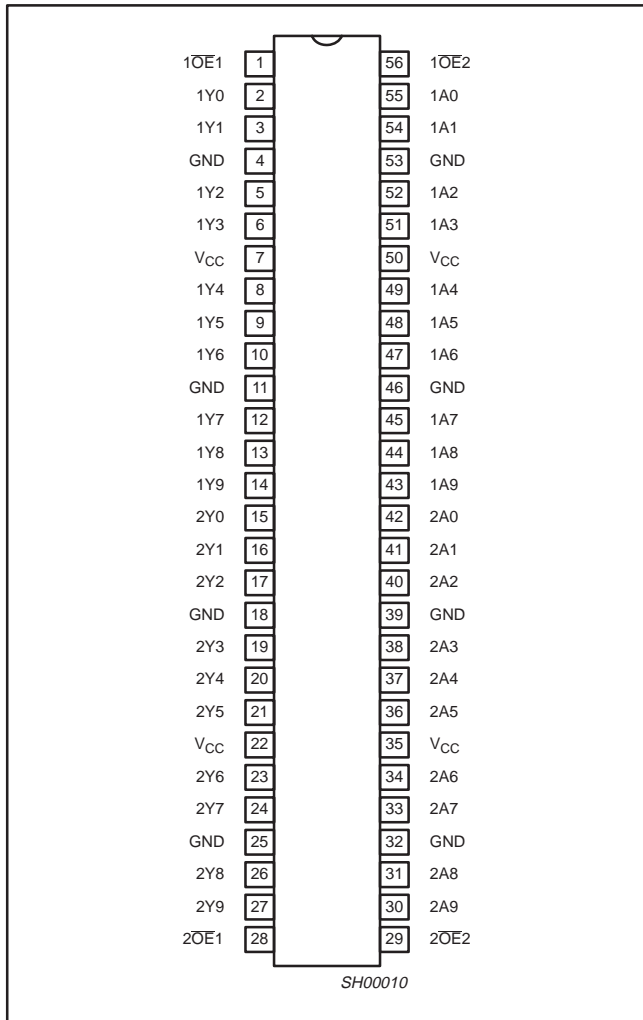
### PIN DESCRIPTION

PIN NUMBER	SYMBOL	FUNCTION
55, 54, 52, 51, 49, 48, 47, 45, 44, 43, 42, 41, 40, 38, 37, 36, 34, 33, 31, 30	1A0 - 1A9 2A0 - 2A9	Data inputs
2, 3, 5, 6, 8, 9, 10, 12, 13, 14, 15, 16, 17, 19, 20, 21, 23, 24, 26, 27	1Y0 - 1Y9 2Y0 - 2Y9	Data outputs
1, 56, 28, 29	$\overline{1OE0}$ , $\overline{1OE1}$ $\overline{2OE0}$ , $\overline{2OE1}$	Output enable inputs (Active-LOW)
4, 11, 18, 25, 32, 39, 46, 53	GND	Ground (0 V)
7, 22, 35, 50	$V_{CC}$	Positive supply voltage

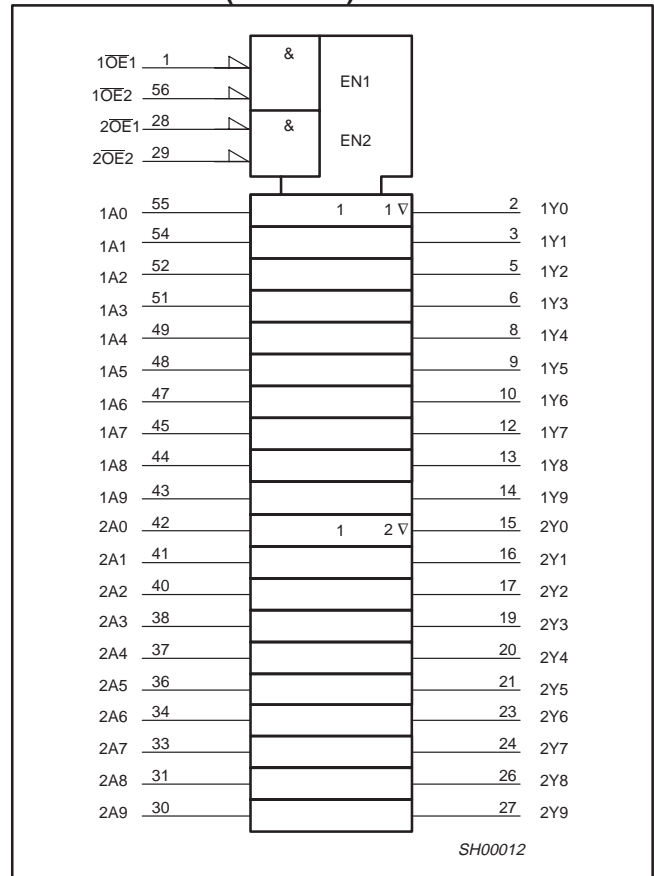
# 20-bit buffer/line driver, non-inverting, with 30 Ω termination resistors (3-State)

## 74ABT162827A

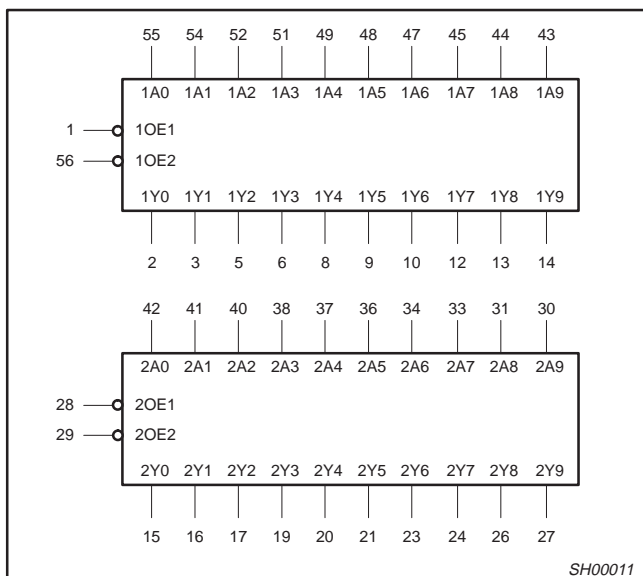
### PIN CONFIGURATION



### LOGIC SYMBOL (IEEE/IEC)



### LOGIC SYMBOL



### FUNCTION TABLE

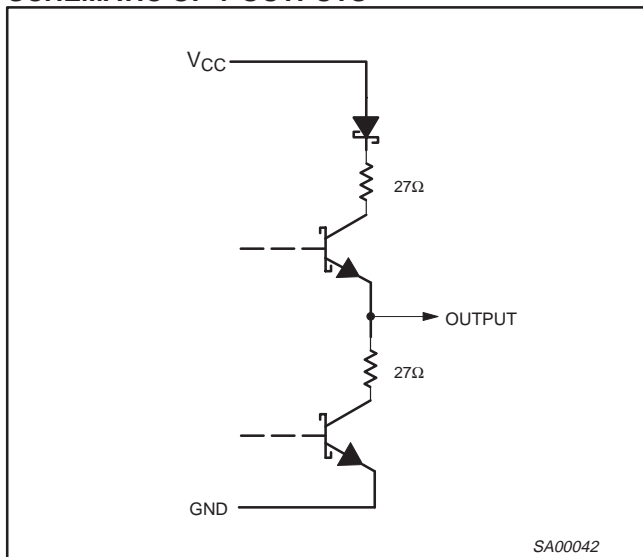
INPUTS		OUTPUTS	OPERATING MODE
nOE <sub>x</sub>	nA <sub>x</sub>	nY <sub>x</sub>	
L	L	L	Transparent
L	H	H	Transparent
H	X	Z	High impedance

X = Don't care  
 Z = High impedance "off" state  
 H = HIGH voltage level  
 L = LOW voltage level

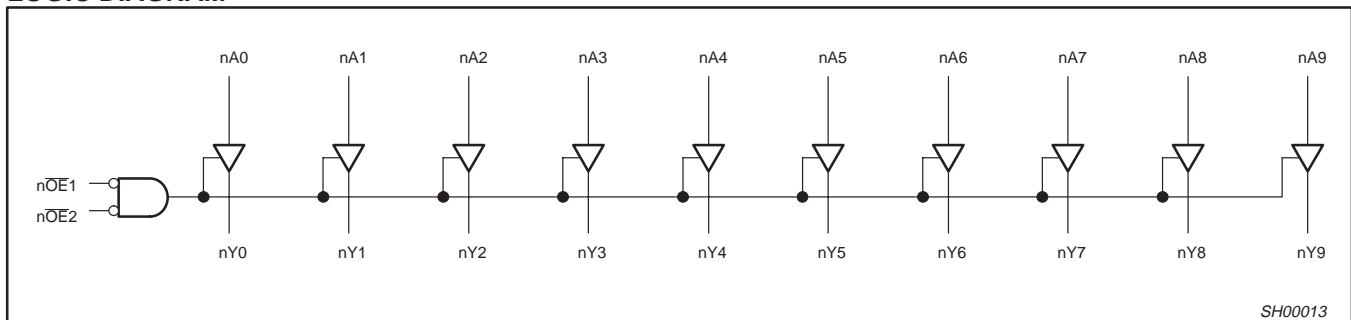
# 20-bit buffer/line driver, non-inverting, with 30 Ω termination resistors (3-State)

74ABT162827A

## SCHEMATIC OF Y OUTPUTS



## LOGIC DIAGRAM



## ABSOLUTE MAXIMUM RATINGS<sup>1, 2</sup>

SYMBOL	PARAMETER	CONDITIONS	RATING	UNIT
V <sub>CC</sub>	DC supply voltage		-0.5 to +7.0	V
I <sub>IK</sub>	DC input diode current	V <sub>I</sub> < 0 V	-18	mA
V <sub>I</sub>	DC input voltage <sup>3</sup>		-1.2 to +7.0	V
I <sub>OK</sub>	DC output diode current	V <sub>O</sub> < 0 V	-50	mA
V <sub>OUT</sub>	DC output voltage <sup>3</sup>	Output in Off or HIGH state	-0.5 to +5.5	V
I <sub>OUT</sub>	DC output current	Output in LOW state	128	mA
		Output in HIGH state	-64	mA
T <sub>stg</sub>	Storage temperature range		-65 to +150	°C

### NOTES:

- Stresses beyond those listed may cause permanent damage to the device. These are stress ratings only and functional operation of the device at these or any other conditions beyond those indicated under "recommended operating conditions" is not implied. Exposure to absolute-maximum-rated conditions for extended periods may affect device reliability.
- The performance capability of a high-performance integrated circuit in conjunction with its thermal environment can create junction temperatures which are detrimental to reliability. The maximum junction temperature of this integrated circuit should not exceed 150 °C.
- The input and output voltage ratings may be exceeded if the input and output current ratings are observed.

# 20-bit buffer/line driver, non-inverting, with 30 $\Omega$ termination resistors (3-State)

74ABT162827A

## RECOMMENDED OPERATING CONDITIONS

SYMBOL	PARAMETER	LIMITS		UNIT
		MIN	MAX	
$V_{CC}$	DC supply voltage	4.5	5.5	V
$V_I$	Input voltage	0	$V_{CC}$	V
$V_{IH}$	HIGH-level input voltage	2.0	–	V
$V_{IL}$	LOW-level Input voltage	–	0.8	V
$I_{OH}$	HIGH-level output current	–	–32	mA
$I_{OL}$	LOW-level output current	–	12	mA
$\Delta t/\Delta v$	Input transition rise or fall rate	0	10	ns/V
$T_{amb}$	Operating free-air temperature range	–40	+85	$^{\circ}\text{C}$

## DC ELECTRICAL CHARACTERISTICS

SYMBOL	PARAMETER	TEST CONDITIONS	LIMITS					UNIT
			$T_{amb} = +25\text{ }^{\circ}\text{C}$			$T_{amb} = -40\text{ }^{\circ}\text{C}$ to $+85\text{ }^{\circ}\text{C}$		
			MIN	TYP	MAX	MIN	MAX	
$V_{IK}$	Input clamp voltage	$V_{CC} = 4.5\text{ V}; I_{IK} = -18\text{ mA}$		–0.9	–1.2		–1.2	V
$V_{OH}$	HIGH-level output voltage	$V_{CC} = 4.5\text{ V}; I_{OH} = -3\text{ mA}; V_I = V_{IL}\text{ or }V_{IH}$	2.5	3.1		2.5		V
		$V_{CC} = 5.0\text{ V}; I_{OH} = -3\text{ mA}; V_I = V_{IL}\text{ or }V_{IH}$	3.0	3.6		3.0		V
		$V_{CC} = 4.5\text{ V}; I_{OH} = -32\text{ mA}; V_I = V_{IL}\text{ or }V_{IH}$	2.0	2.7		2.0		V
$V_{OL}$	LOW-level output voltage	$V_{CC} = 4.5\text{ V}; I_{OH} = 8\text{ mA}; V_I = V_{IL}\text{ or }V_{IH}$			0.65		0.65	V
		$V_{CC} = 4.5\text{ V}; I_{OL} = 12\text{ mA}; V_I = V_{IL}$			0.80		0.80	V
$I_I$	Input leakage current	$V_{CC} = 5.5\text{ V}; V_I = \text{GND or }5.5\text{ V}$		$\pm 0.01$	$\pm 1.0$		$\pm 1.0$	$\mu\text{A}$
$I_{OFF}$	Power-off leakage current	$V_{CC} = 0.0\text{ V}; V_O = 4.5\text{ V}; V_I = 0\text{ V or }5.5\text{ V}$		$\pm 5.0$	$\pm 100$		$\pm 100$	$\mu\text{A}$
$I_{PU}/I_{PD}$	Power-up/down 3-State output current <sup>3</sup>	$V_{CC} = 2.1\text{ V}; V_O = 0.5\text{ V}; V_I = \text{GND or }V_{CC}; V_{OE} = \text{Don't care}$		$\pm 5.0$	$\pm 50$		$\pm 50$	$\mu\text{A}$
$I_{OZH}$	3-State output High current	$V_{CC} = 5.5\text{ V}; V_O = 2.7\text{ V}; V_I = V_{IL}\text{ or }V_{IH}$		1.0	10		10	$\mu\text{A}$
$I_{OZL}$	3-State output Low current	$V_{CC} = 5.5\text{ V}; V_O = 0.5\text{ V}; V_I = V_{IL}\text{ or }V_{IH}$		–1.0	–10		–10	$\mu\text{A}$
$I_{CEX}$	Output High leakage current	$V_{CC} = 5.5\text{ V}; V_O = 5.5\text{ V}; V_I = \text{GND or }V_{CC}$		1.0	50		50	$\mu\text{A}$
$I_O$	Output current <sup>1</sup>	$V_{CC} = 5.5\text{ V}; V_O = 2.5\text{ V}$	–50	–70	–180	–50	–180	mA
$I_{CCH}$	Quiescent supply current	$V_{CC} = 5.5\text{ V}; \text{Outputs HIGH, }V_I = \text{GND or }V_{CC}$		0.5	1		1	mA
$I_{CCL}$		$V_{CC} = 5.5\text{ V}; \text{Outputs LOW, }V_I = \text{GND or }V_{CC}$		9	19		19	mA
$I_{CCZ}$		$V_{CC} = 5.5\text{ V}; \text{Outputs 3-State, }V_I = \text{GND or }V_{CC}$		0.5	1		1	mA
$\Delta I_{CC}$	Additional supply current per input pin <sup>2</sup>	$V_{CC} = 5.5\text{ V}; \text{one input at }3.4\text{ V, other inputs at }V_{CC}\text{ or GND}$		0.2	1		1	mA

### NOTES:

- Not more than one output should be tested at a time, and the duration of the test should not exceed one second.
- This is the increase in supply current for each input at 3.4 V.
- This parameter is valid for any  $V_{CC}$  between 0 V and 2.1 V with a transition time of up to 10 msec. From  $V_{CC} = 2.1\text{ V}$  to  $V_{CC} = 5\text{ V} \pm 10\%$  a transition time of up to 100  $\mu\text{sec}$  is permitted.

# 20-bit buffer/line driver, non-inverting, with 30 Ω termination resistors (3-State)

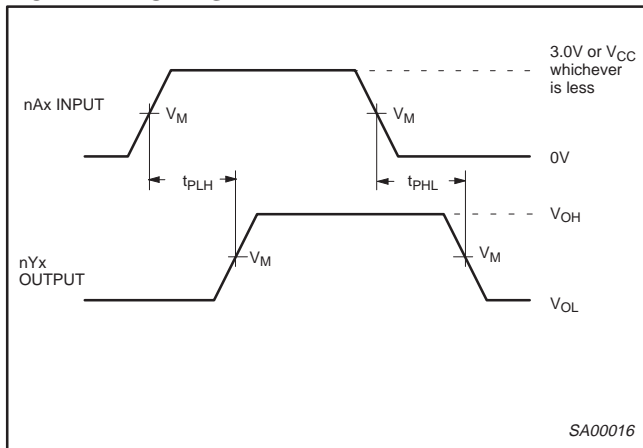
74ABT162827A

## AC CHARACTERISTICS

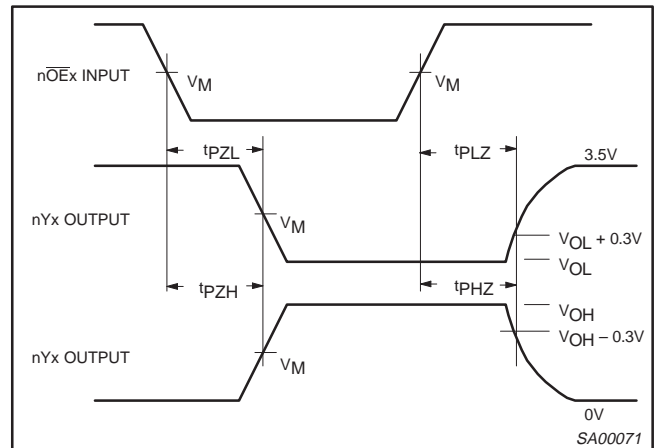
GND = 0 V,  $t_R = t_F = 2.5$  ns,  $C_L = 50$  pF,  $R_L = 500$  Ω

SYMBOL	PARAMETER	WAVEFORM	LIMITS					UNIT
			$T_{amb} = +25$ °C $V_{CC} = +5.0$ V			$T_{amb} = -40$ °C to $+85$ °C $V_{CC} = +5.0V \pm 0.5V$		
			MIN	TYP	MAX	MIN	MAX	
$t_{PLH}$ $t_{PHL}$	Propagation delay nAx to nYx	1	1.0	1.8	2.6	1.0	2.9	ns
$t_{PZH}$ $t_{PZL}$	Output enable time to High and Low level	2	1.5	3.0	4.2	1.5	5.2	ns
$t_{PHZ}$ $t_{PLZ}$	Output disable time from High and Low level	2	2.0	3.4	4.8	2.0	5.4	ns

## AC WAVEFORMS



Waveform 1. Input (nAx) to Output (nYx) Propagation Delays



Waveform 2. 3-State Output Enable and Disable Times

## TEST CIRCUIT AND WAVEFORM

**Test Circuit for 3-State Outputs**

SWITCH POSITION	
TEST	SWITCH
$t_{PLZ}$	closed
$t_{PZL}$	closed
All other	open

**DEFINITIONS**

$R_L$  = Load resistor; see AC CHARACTERISTICS for value.  
 $C_L$  = Load capacitance includes jig and probe capacitance; see AC CHARACTERISTICS for value.  
 $R_T$  = Termination resistance should be equal to  $Z_{OUT}$  of pulse generators.

**Input Pulse Definition**

$V_M = 1.5V$

FAMILY	INPUT PULSE REQUIREMENTS				
	Amplitude	Rep. Rate	$t_W$	$t_R$	$t_F$
74ABT/H16	3.0V	1MHz	500ns	2.5ns	2.5ns

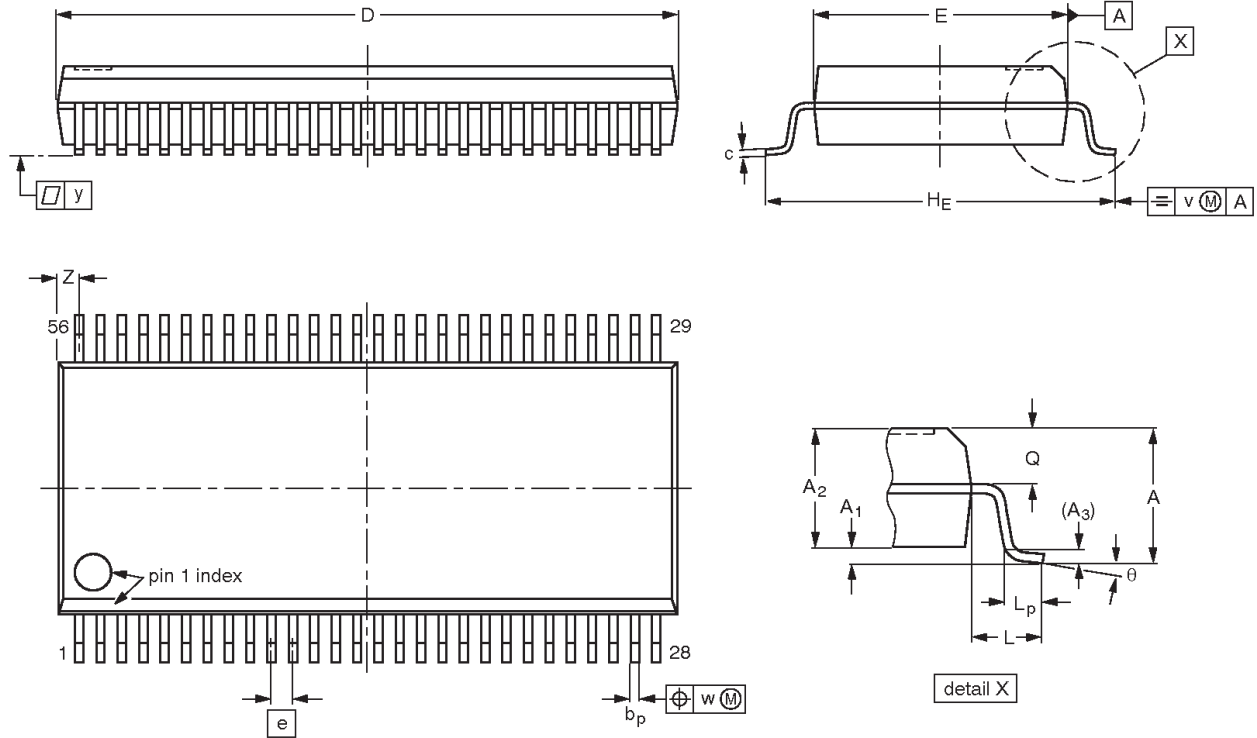
SA00018

20-bit buffer/line driver, non-inverting,  
with 30 Ω termination resistors (3-State)

74ABT162827A

SSOP56: plastic shrink small outline package; 56 leads; body width 7.5 mm

SOT371-1



**DIMENSIONS (mm are the original dimensions)**

UNIT	A max.	A <sub>1</sub>	A <sub>2</sub>	A <sub>3</sub>	b <sub>p</sub>	c	D <sup>(1)</sup>	E <sup>(1)</sup>	e	H <sub>E</sub>	L	L <sub>p</sub>	Q	v	w	y	Z <sup>(1)</sup>	θ
mm	2.8	0.4 0.2	2.35 2.20	0.25	0.3 0.2	0.22 0.13	18.55 18.30	7.6 7.4	0.635	10.4 10.1	1.4	1.0 0.6	1.2 1.0	0.25	0.18	0.1	0.85 0.40	8° 0°

**Note**

1. Plastic or metal protrusions of 0.25 mm maximum per side are not included.

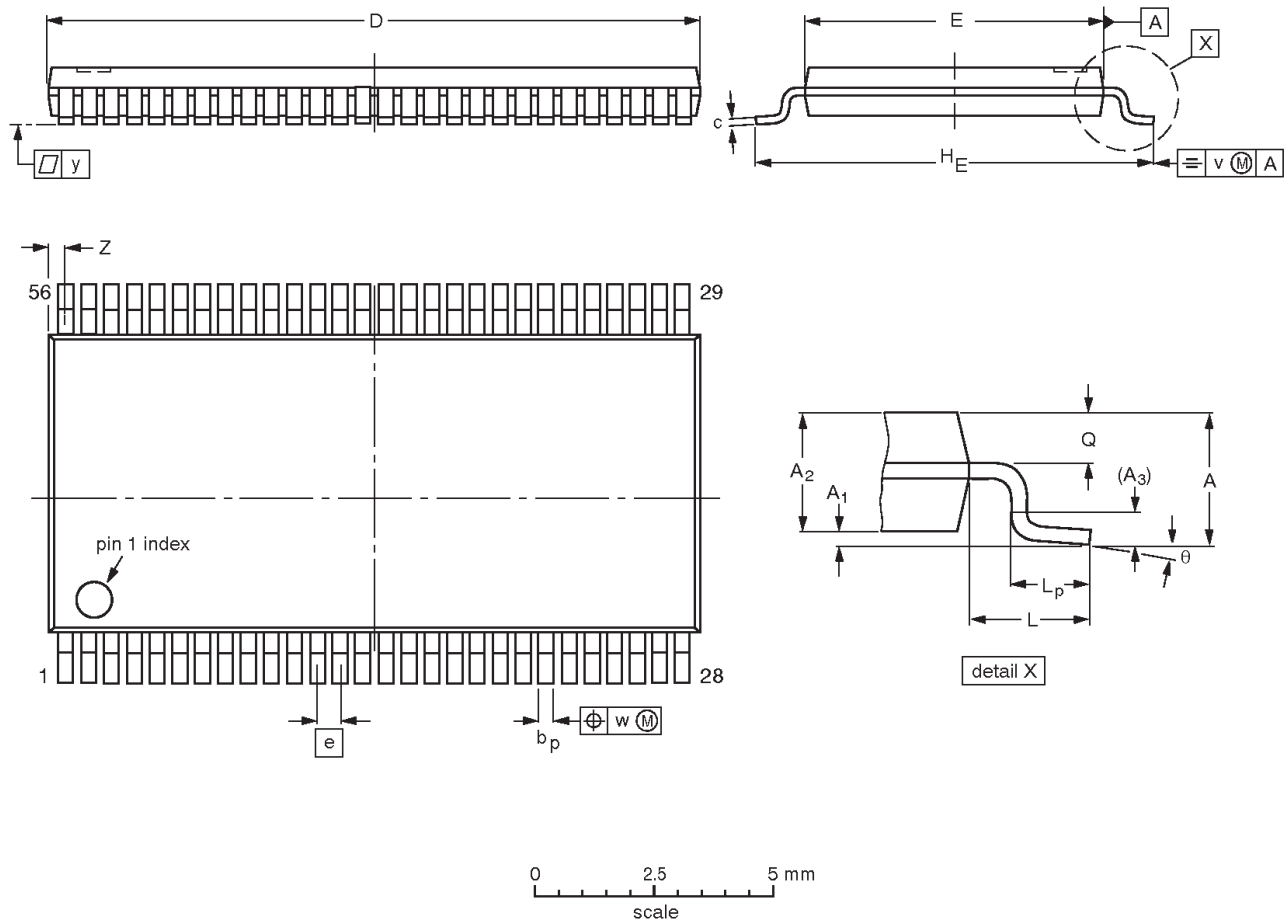
OUTLINE VERSION	REFERENCES				EUROPEAN PROJECTION	ISSUE DATE
	IEC	JEDEC	EIAJ			
SOT371-1		MO-118				95-02-04 99-12-27

20-bit buffer/line driver, non-inverting,  
with 30 Ω termination resistors (3-State)

74ABT162827A

TSSOP56: plastic thin shrink small outline package; 56 leads; body width 6.1 mm

SOT364-1



**DIMENSIONS (mm are the original dimensions).**

UNIT	A max.	A <sub>1</sub>	A <sub>2</sub>	A <sub>3</sub>	b <sub>p</sub>	c	D <sup>(1)</sup>	E <sup>(2)</sup>	e	H <sub>E</sub>	L	L <sub>p</sub>	Q	v	w	y	Z	θ
mm	1.2	0.15 0.05	1.05 0.85	0.25	0.28 0.17	0.2 0.1	14.1 13.9	6.2 6.0	0.5	8.3 7.9	1.0	0.8 0.4	0.50 0.35	0.25	0.08	0.1	0.5 0.1	8° 0°

**Notes**

1. Plastic or metal protrusions of 0.15 mm maximum per side are not included.
2. Plastic interlead protrusions of 0.25 mm maximum per side are not included.

OUTLINE VERSION	REFERENCES				EUROPEAN PROJECTION	ISSUE DATE
	IEC	JEDEC	EIAJ			
SOT364-1		MO-153				95-02-10 99-12-27



# 20-bit buffer/line driver, non-inverting, with 30 $\Omega$ termination resistors (3-State)

74ABT162827A

## Data sheet status

Data sheet status <sup>[1]</sup>	Product status <sup>[2]</sup>	Definitions
Objective data	Development	This data sheet contains data from the objective specification for product development. Philips Semiconductors reserves the right to change the specification in any manner without notice.
Preliminary data	Qualification	This data sheet contains data from the preliminary specification. Supplementary data will be published at a later date. Philips Semiconductors reserves the right to change the specification without notice, in order to improve the design and supply the best possible product.
Product data	Production	This data sheet contains data from the product specification. Philips Semiconductors reserves the right to make changes at any time in order to improve the design, manufacturing and supply. Changes will be communicated according to the Customer Product/Process Change Notification (CPCN) procedure SNW-SQ-650A.

[1] Please consult the most recently issued data sheet before initiating or completing a design.

[2] The product status of the device(s) described in this data sheet may have changed since this data sheet was published. The latest information is available on the Internet at URL <http://www.semiconductors.philips.com>.

## Definitions

**Short-form specification** — The data in a short-form specification is extracted from a full data sheet with the same type number and title. For detailed information see the relevant data sheet or data handbook.

**Limiting values definition** — Limiting values given are in accordance with the Absolute Maximum Rating System (IEC 60134). Stress above one or more of the limiting values may cause permanent damage to the device. These are stress ratings only and operation of the device at these or at any other conditions above those given in the Characteristics sections of the specification is not implied. Exposure to limiting values for extended periods may affect device reliability.

**Application information** — Applications that are described herein for any of these products are for illustrative purposes only. Philips Semiconductors make no representation or warranty that such applications will be suitable for the specified use without further testing or modification.

## Disclaimers

**Life support** — These products are not designed for use in life support appliances, devices or systems where malfunction of these products can reasonably be expected to result in personal injury. Philips Semiconductors customers using or selling these products for use in such applications do so at their own risk and agree to fully indemnify Philips Semiconductors for any damages resulting from such application.

**Right to make changes** — Philips Semiconductors reserves the right to make changes, without notice, in the products, including circuits, standard cells, and/or software, described or contained herein in order to improve design and/or performance. Philips Semiconductors assumes no responsibility or liability for the use of any of these products, conveys no license or title under any patent, copyright, or mask work right to these products, and makes no representations or warranties that these products are free from patent, copyright, or mask work right infringement, unless otherwise specified.

## Contact information

For additional information please visit  
<http://www.semiconductors.philips.com>. Fax: +31 40 27 24825

© Koninklijke Philips Electronics N.V. 2002  
All rights reserved. Printed in U.S.A.

For sales offices addresses send e-mail to:  
[sales.addresses@www.semiconductors.philips.com](mailto:sales.addresses@www.semiconductors.philips.com)

Document order number:

Date of release: 04-02

9397 750 09696

*Let's make things better.*