

Solid Pac® High Voltage Rectifiers

Single Phase Center Tap & Doubler

For Doublers Use SODSPD Prefix

Example: SODSPDHV-3, SODSPD-3

SERIES I

PART NUMBER	HEIGHT	LENGTH	WIDTH	NUMBER OF BLOCKS	PIV (Per Leg)	THEORETICAL D.C. OUTPUT VOLTAGE	RECOMMENDED MAX OUTPUT VOLTS DC	AVG. DC OUTPUT @ 25°C	MAX. FVD/LEG @ 25°C
SPCHV-1	3/4	1 1/2	3/4	1	1,600	501	250	1.0 A	3 V
SPCHV-2	3/4	1 1/2	3/4	1	2,000	626	315	1.0 A	3 V
SPCHV-3	3/4	2 1/2	3/4	1	3,000	939	475	0.8 A	6 V
SPCHV-4	3/4	3	3/4	1	4,000	1252	628	0.8 A	9 V
SPCHV-5	3/4	4	3/4	1	5,000	1565	785	0.6 A	9 V
SPCHV-6	3/4	4 1/2	3/4	1	6,000	1878	942	0.6 A	12 V
SPCHV-7	3/4	5	3/4	1	7,000	2191	1,100	0.6 A	15 V
SPCHV-8	3/4	5 1/2	3/4	1	8,000	2504	1,256	0.6 A	15 V
SPCHV-9	3/4	6	3/4	1	9,000	2817	1,413	0.6 A	18 V
SPCHV-10	3/4	3 1/2	3/4	2	10,000	3130	1,570	0.6 A	21 V
SPCHV-15	3/4	5	3/4	2	15,000	4697	2,355	0.5 A	30 V
SPCHV-20	3/4	5 1/2	3/4	2	20,000	6276	3,140	0.5 A	39 V
SPCHV-25	3/4	6	3/4	2	25,000	7845	3,925	0.5 A	51 V
SPCHV-30	3/4	6	3/4	2	30,000	9404	4,710	0.5 A	60 V
SPCHV-35	3/4	6 1/2	3/4	2	35,000	10973	5,495	0.5 A	72 V
SPCHV-40	3/4	6 1/2	3/4	2	40,000	12542	6,280	0.3 A	81 V
SPCHV-45	3/4	7	3/4	2	45,000	14111	7,065	0.3 A	90 V
SPCHV-50	3/4	7	3/4	2	50,000	15690	7,850	0.3 A	102 V
SPCHV-75	1 1/4	8	2	2	75,000	23886	11,943	0.2 A	150 V
SPCHV-100	1 1/4	10	2	2	100,000	31400	15,700	0.2 A	210 V
SPCHV-120	1 1/4	12	2	2	120,000	38216	19,108	0.2 A	240 V

SERIES II

SPC-1	3/4	1 1/2	3/4	1	1,600	501	250	2.2 A	2 V
SPC-2	3/4	1 1/2	3/4	1	2,000	626	315	2.2 A	4 V
SPC-3	3/4	2 1/2	3/4	1	3,000	939	475	2.2 A	5 V
SPC-4	3/4	3	3/4	1	4,000	1252	628	2.2 A	7 V
SPC-5	3/4	4	3/4	1	5,000	1565	785	2.2 A	9 V
SPC-6	3/4	4 1/2	3/4	1	6,000	1878	942	2.0 A	10 V
SPC-7	3/4	5	3/4	1	7,000	2191	1,100	2.0 A	12 V
SPC-8	3/4	5 1/2	3/4	1	8,000	2504	1,256	2.0 A	14 V
SPC-9	3/4	6	3/4	1	9,000	2817	1,413	2.0 A	15 V
SPC-10	3/4	3 1/2	3/4	2	10,000	3130	1,570	2.0 A	17 V
SPC-15	3/4	5	3/4	2	15,000	4697	2,355	1.8 A	25 V
SPC-20	3/4	5 1/2	3/4	2	20,000	6276	3,140	1.5 A	34 V
SPC-25	3/4	6	3/4	2	25,000	7845	3,925	1.5 A	42 V
SPC-30	3/4	6	3/4	2	30,000	9404	4,710	1.5 A	50 V
SPC-35	3/4	6 1/2	3/4	2	35,000	10973	5,495	1.5 A	59 V
SPC-40	3/4	6 1/2	3/4	2	40,000	13542	6,280	1.5 A	67 V
SPC-45	3/4	7	3/4	2	45,000	14111	7,065	1.5 A	75 V
SPC-50	3/4	7	3/4	2	50,000	15690	7,850	1.5 A	84 V
SPC-75	1 1/4	8	2	2	75,000	23886	11,943	1.0 A	125 V
SPC-100	1 1/4	10	2	2	100,000	31400	15,700	1.0 A	167 V
SPC-120	1 1/4	12	2	2	120,000	38216	19,108	1.0 A	200 V

Continued on next page

Solid Pac® High Voltage Rectifiers
Single Phase Center Tap & Doubler
 For Doubler Use SPD Prefix

Example: 2ASPD-3, SODSPD-3

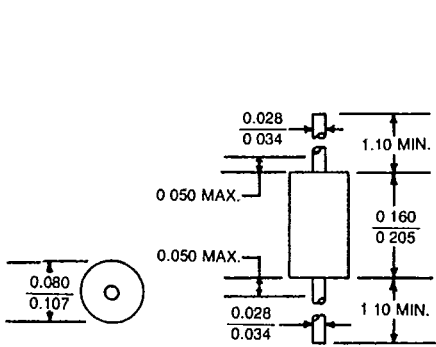
SERIES III

PART NUMBER	HEIGHT	LENGTH	WIDTH	NUMBER OF BLOCKS	PIV (Per Leg)	THEORETICAL D.C. OUTPUT VOLTAGE	RECOMMENDED MAX OUTPUT VOLTS DC	AVG. DC OUTPUT @ 25°C	MAX. FVD/LEG @ 25°C
2ASPC-1	3/4	1 1/2	3/4	1	1,600	501	250	4.0 A	2 V
2ASPC-2	3/4	1 1/2	3/4	1	2,000	626	315	4.0 A	3 V
2ASPC-3	3/4	2 1/2	3/4	1	3,000	939	475	4.0 A	5 V
2ASPC-4	3/4	3	3/4	1	4,000	1252	628	4.0 A	7 V
2ASPC-5	3/4	4	3/4	1	5,000	1565	785	4.0 A	9 V
2ASPC-6	3/4	4 1/2	3/4	1	6,000	1878	942	3.6 A	10 V
2ASPC-7	3/4	5	3/4	1	7,000	2191	1,100	3.6 A	12 V
2ASPC-8	3/4	5 1/2	3/4	1	8,000	2504	1,256	3.6 A	14 V
2ASPC-9	3/4	6	3/4	1	9,000	2817	1,413	3.6 A	15 V
2ASPC-10	3/4	3 1/2	3/4	2	10,000	3130	1,570	3.6 A	17 V
2ASPC-15	3/4	5	3/4	2	15,000	4697	2,355	3.0 A	25 V
2ASPC-20	3/4	5 1/2	3/4	2	20,000	6276	3,140	2.6 A	34 V
2ASPC-25	3/4	6	3/4	2	25,000	7845	3,925	2.6 A	42 V
2ASPC-30	3/4	6	3/4	2	30,000	9404	4,710	2.6 A	50 V
2ASPC-35	3/4	6 1/2	3/4	2	35,000	10973	5,495	2.4 A	59 V
2ASPC-40	3/4	6 1/2	3/4	2	40,000	12542	6,280	2.4 A	67 V
2ASPC-45	3/4	7	3/4	2	45,000	14111	7,065	2.4 A	75 V
2ASPC-50	3/4	7	3/4	2	50,000	15690	7,850	2.0 A	84 V
2ASPC-75	1 1/4	8	2	2	75,000	23886	11,943	1.6 A	125 V
2ASPC-100	1 1/4	10	2	2	100,000	31400	15,700	1.5 A	167 V
2ASPC-120	1 1/4	12	2	2	120,000	38216	19,108	1.5 A	200 V

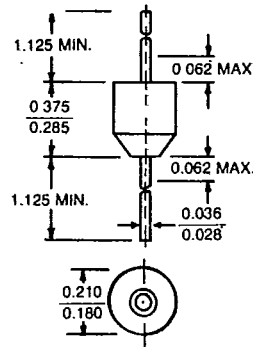
SERIES IV

SODSPC-1	1	3	1	1	1,600	501	250	6.0 A	2 V
SODSPC-2	1	4	1	1	2,000	626	315	6.0 A	3 V
SODSPC-3	1	5	1	1	3,000	939	475	6.0 A	5 V
SODSPC-4	1	6	1	1	4,000	1252	628	6.0 A	7 V
SODSPC-5	1	4	2	1	5,000	1565	785	6.0 A	9 V
SODSPC-6	1	4 3/4	2	1	6,000	1878	942	5.5 A	10 V
SODSPC-7	1	5 1/2	2	1	7,000	2191	1,100	5.5 A	12 V
SODSPC-8	1	6	2	1	8,000	2504	1,256	5.5 A	14 V
SODSPC-9	1	6 1/2	2	1	9,000	2817	1,413	5.0 A	15 V
SODSPC-10	1	7	1	2	10,000	3130	1,570	5.0 A	17 V
SODSPC-15	1	4	2	2	15,000	4697	2,355	5.0 A	25 V
SODSPC-20	1	6	2	2	20,000	6276	3,140	4.5 A	34 V
SODSPC-25	1	8	2	2	25,000	7845	3,925	4.5 A	42 V
SODSPC-30	1	4	3	2	30,000	9404	4,710	4.5 A	50 V
SODSPC-35	1	6	3	2	35,000	10973	5,495	4.5 A	59 V
SODSPC-40	1	8	3	2	40,000	12542	6,280	4.5 A	67 V
SODSPC-45	1	4	4	2	45,000	14111	7,065	4.5 A	75 V
SODSPC-50	1	6	4	2	50,000	15690	7,850	4.5 A	84 V
SODSPC-75	1 1/2	8	4	2	75,000	23886	11,943	4.0 A	125 V
SODSPC-100	1 1/2	12	4	2	100,000	31400	15,700	3.5 A	167 V
SODSPC-120	1 1/2	14	4	2	120,000	38216	19,108	3.5 A	200 V

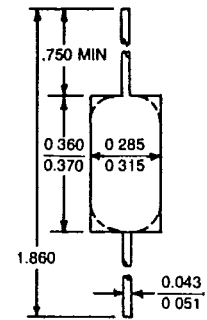
Case Outlines and Dimensions



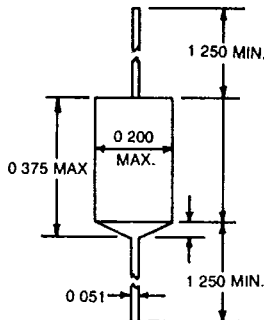
**Case Style 1A
(DO-41)**



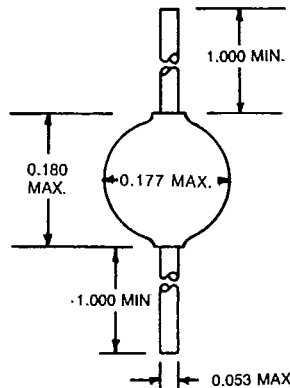
**Case Style 1B
(DO-27)**



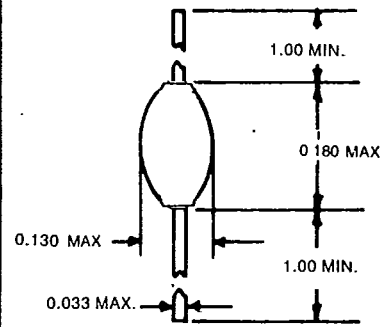
Case Style 1C



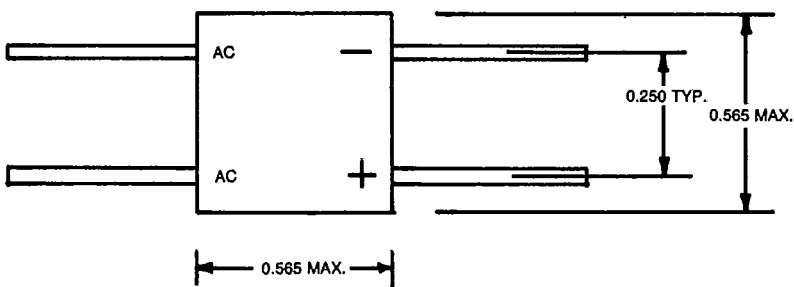
Case Style 1D



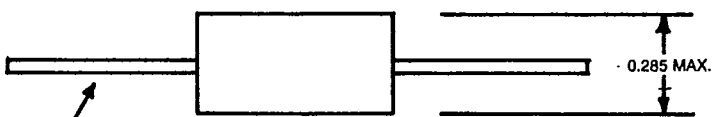
Case Style 1E



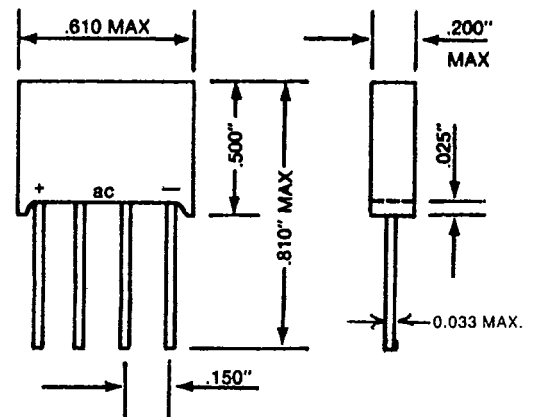
Case Style 1F



Case Style 2A*



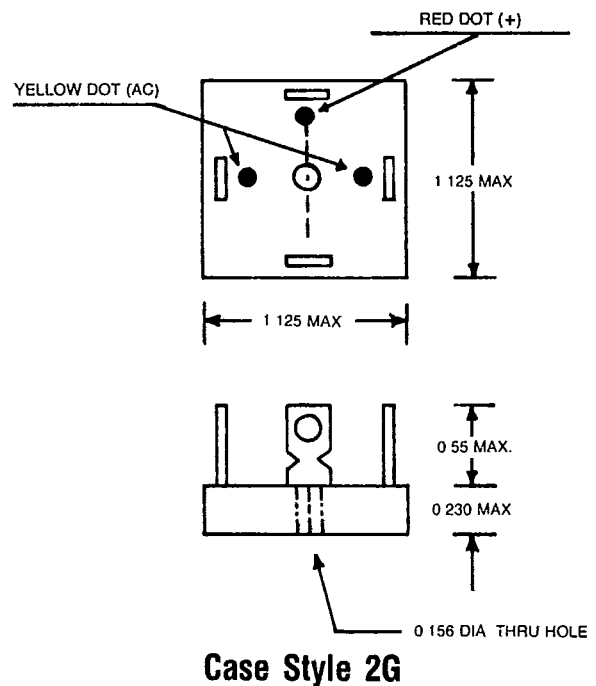
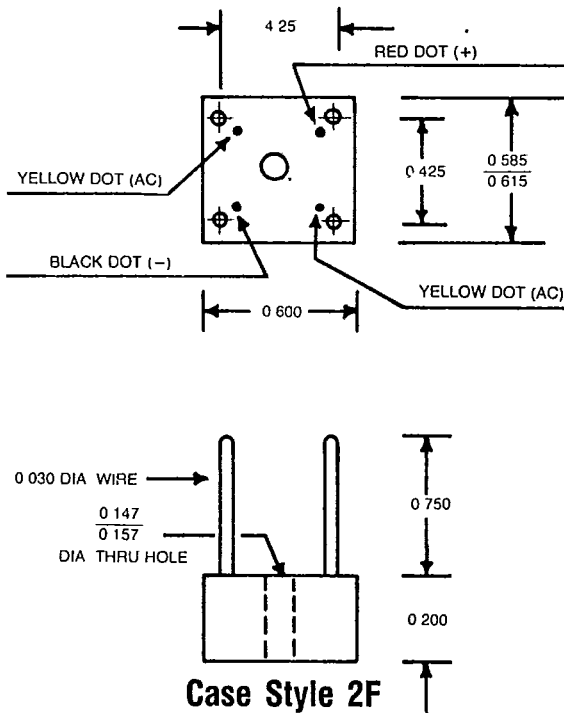
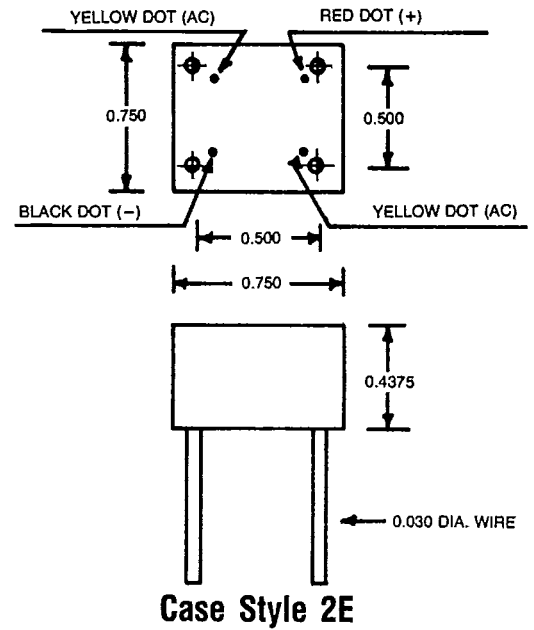
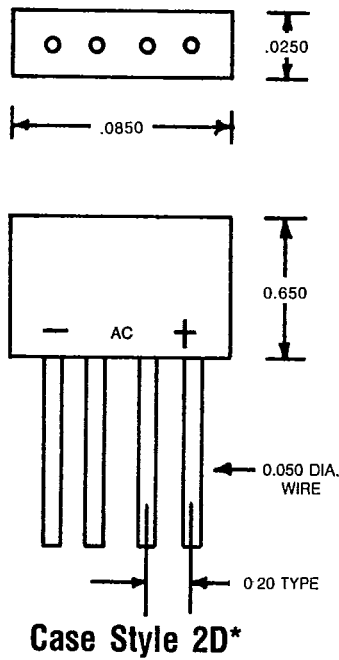
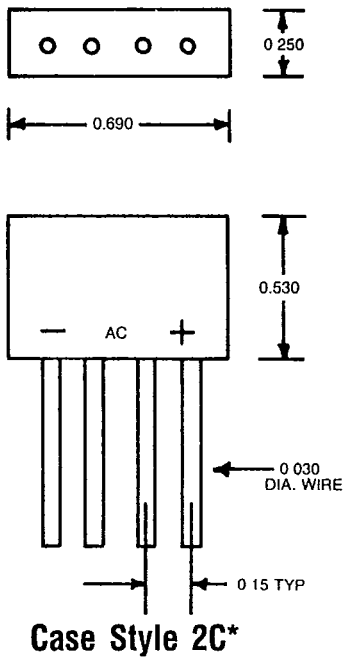
0.030 DIA. WIRE



Case Style 2B*

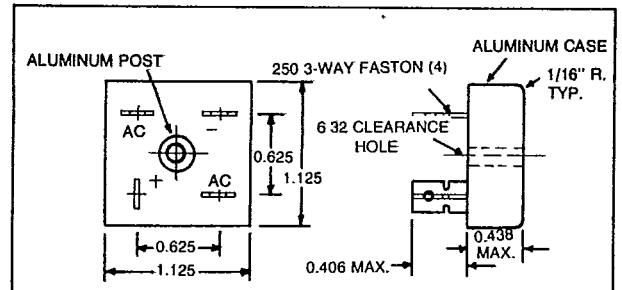
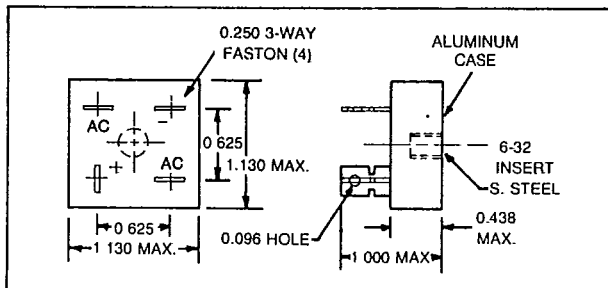
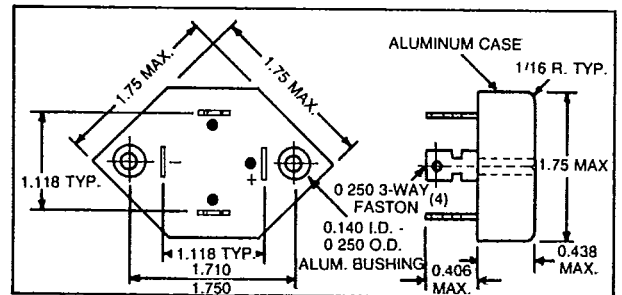
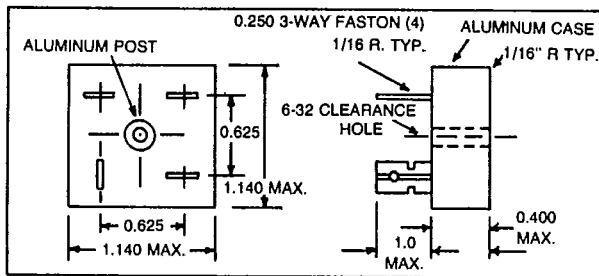
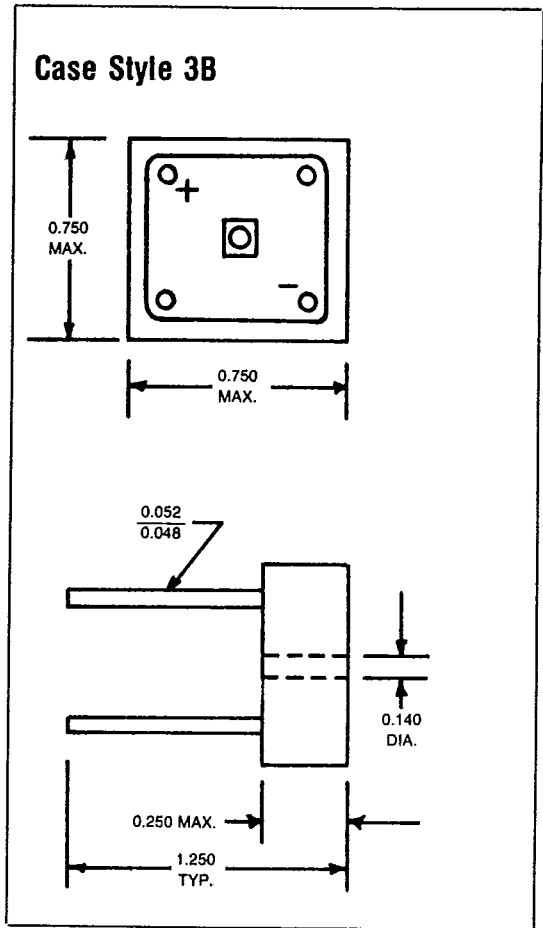
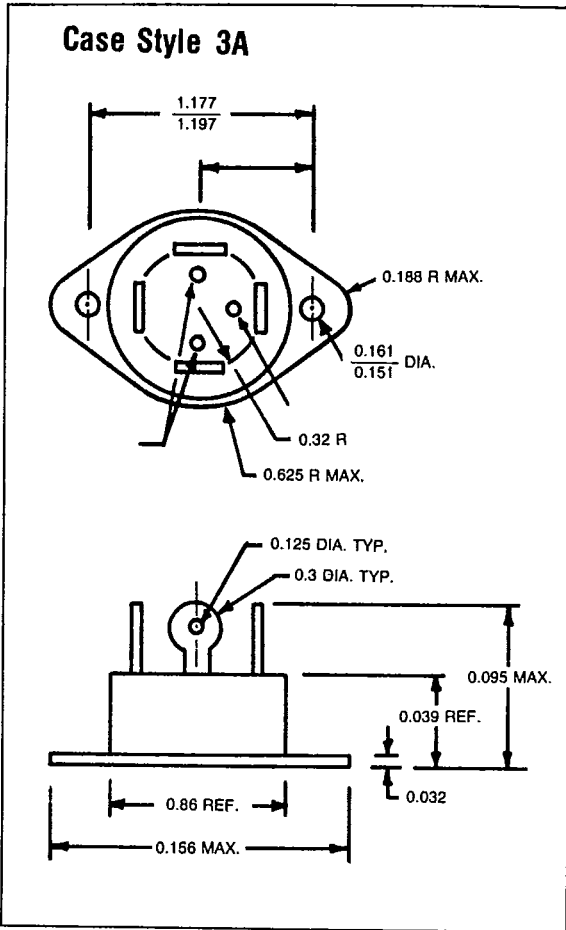
*Also available in lower cost conformal coated package.

Case Outlines and Dimensions



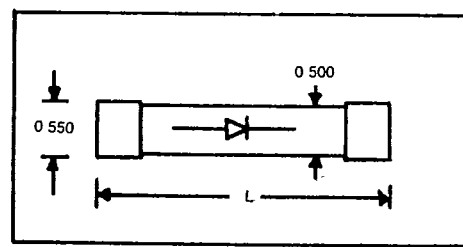
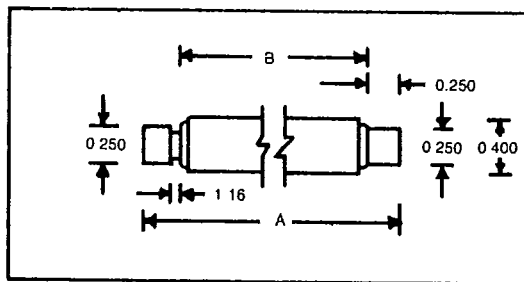
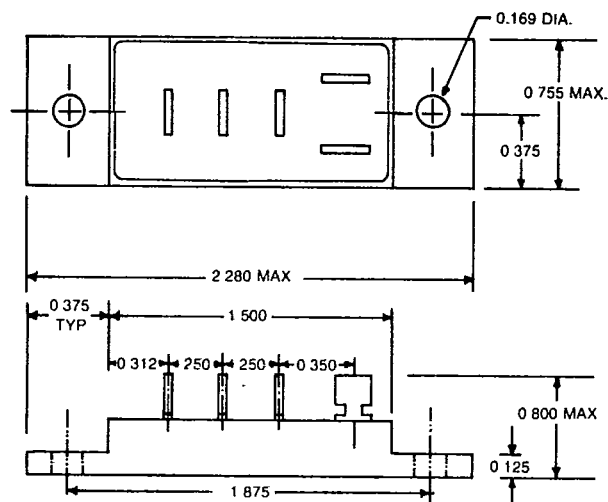
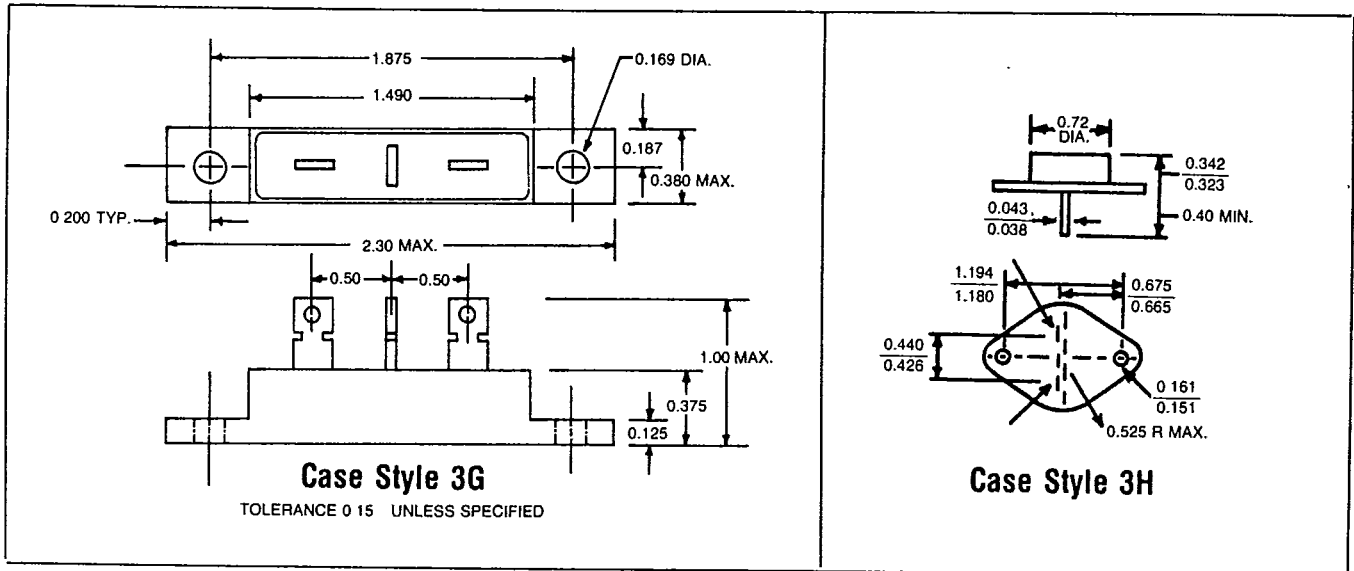
*Also available in lower cost conformal coated package.

Case Outlines and Dimensions

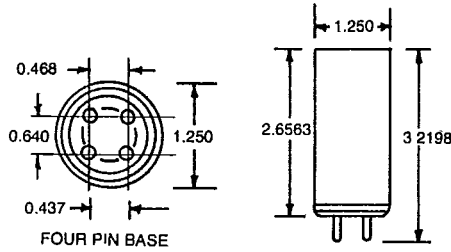


T-23-05

Case Outlines and Dimensions

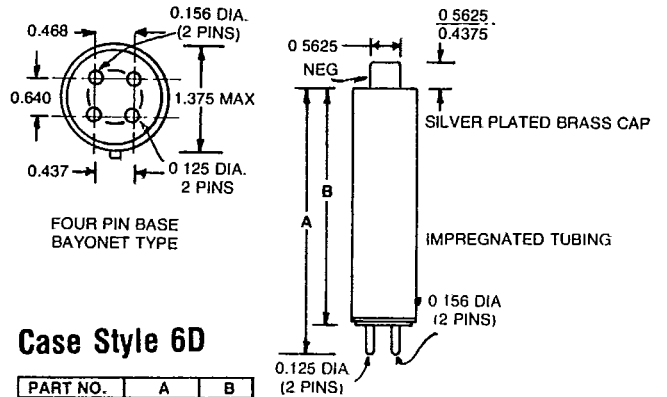


Case Outlines and Dimensions



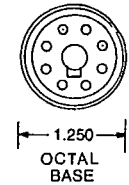
Case Style 6A

PART NO.	A	B	C
1N1150	3-7/32"	2-21/32"	1-1/4"
1N2634			

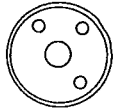


Case Style 6D

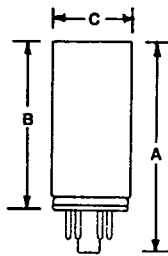
PART NO.	A	B
T7KV	4-1 16	3-1 2
T10KV	5-1 8	4-1 2
1N2637		



OCTAL BASE

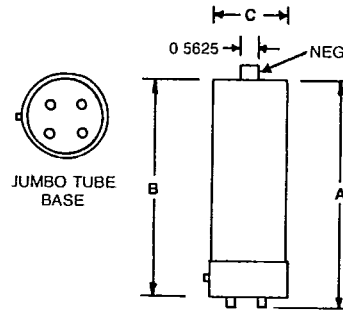


THREE PIN BASE



Case Style 6B

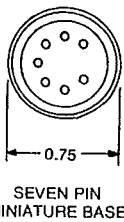
PART NO.	A	B	C	NO. OF PINS
1N1237				8
1N1238				8
1N2631	3-7/32	2-21/32	1-1/4	8
1N2632				8
1N2633				8
1N1239	4-5/16	3-3/4	1-3/8	3
1N1262	4-5/16	3-3/4	1-3/16	8
1N2389	3.25 1.125	2.6875 0.5625	1-3/16	8



JUMBO TUBE BASE

Case Style 6E

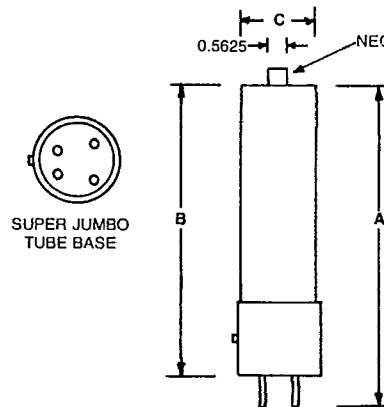
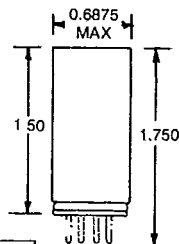
PART NO.	A	B	C	(-) PIN CONN.
2ASLD-10TRA	7-3/4	7-3/8	2-5/16	4
2ASLD-15TR	9-3/4	9-3/8	3-7/8	4



SEVEN PIN MINIATURE BASE

Case Style 6C

PART NO.	A	B
1N2490		
1N2630	1-3/4"	1-1/2"
1N2635		

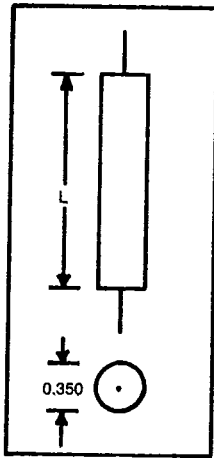


SUPER JUMBO TUBE BASE

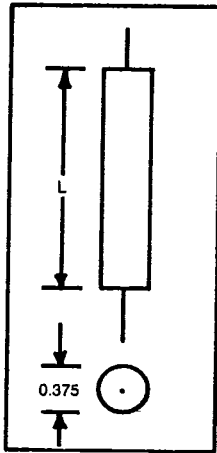
Case Style 6F

PART NO.	A	B	C	(+) PIN CONN.
2ASLD-10TRB	8-1/4	7-1/2	2-5/16	3
2ASLD-40TR	9-1/8	8-3/8	2-5/16	2

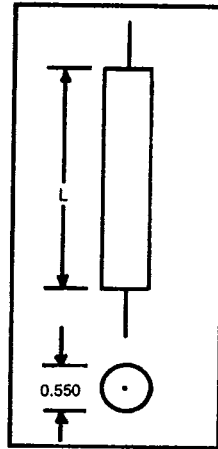
Case Outlines and Dimensions



Case Style 5A*

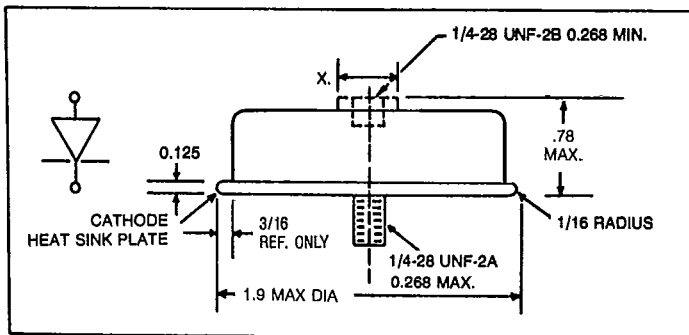


Case Style 5B*

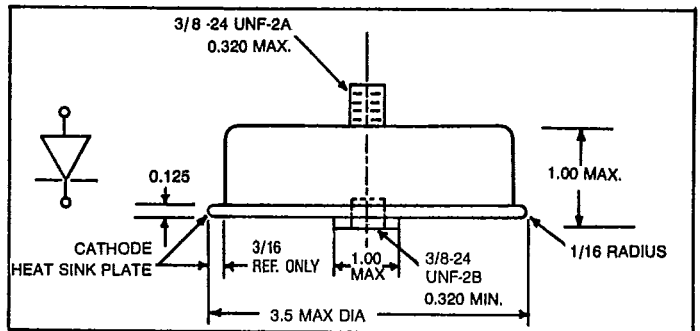


Case Style 5C*

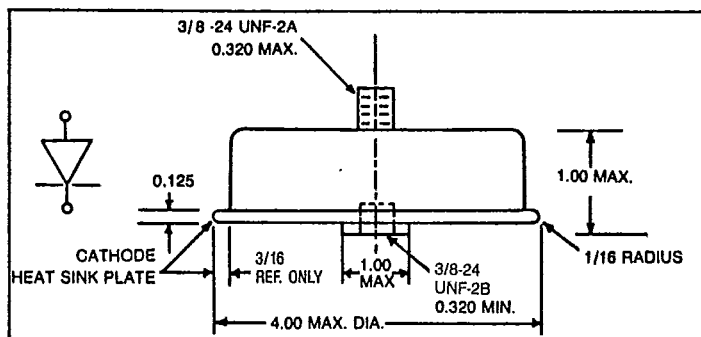
*Lead Length 0.032" x 1.25" Long.



Case Style 7A



Case Style 7B



Case Style 7C