

NEW!

Surface Mount

Voltage Variable Attenuator

RVA-2500

10 to 2500 MHz



CASE STYLE: DV874

Features

- broadband, 10-2500 MHz
- IP3, +43 dBm typ.
- 40 dB attenuation @ 1500 MHz
- good VSWR at IN/OUT ports over attenuation range
- minimal phase deviation over attenuation range
- no external bias and RF matching network required
- shielded case

Applications

- power level control
- feed-forward amplifiers

Electrical Specifications

FREQ. (MHz)	INSERTION LOSS (dB) at 15V control voltage		ATTENUATION (dB) at 0V control voltage		IP3 (dBm) Typ.	RETURN LOSS ¹ (dB) Typ.	POWER SUPPLY Voltage (V)	Current (mA) Max.	CONTROL Current		PRICE \$ Qty. (10-49)
	Min.	Max.	Typ.	Min.					Max.	Max.	
10-500	3.0	4.6	55	41	+43	20	+3 to +5	5	0-17	30	9.95
500-1500	3.3	5.0	40	30	+43	20	+3 to +5	5	0-17	30	9.95
1500-2500	4.0	6.2	37	25	+44	20	+3 to +5	5	0-17	30	9.95

Notes:

Rise/fall time: 2.4 μs typ.

Switching Time, turn on/off: 3 μs typ.

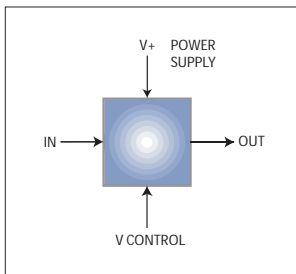
¹ Improved R. Loss in/out performance can be achieved at certain frequencies by choosing a V+ between +3V to +5V.

Maximum Ratings

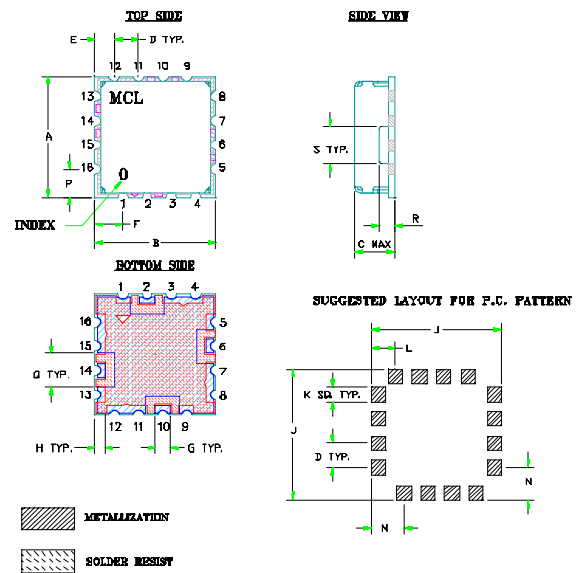
Operating Temperature	-55°C to +85°C
Storage Temperature	-55°C to +85°C
Absolute Max. Supply Voltage (V+)	12V
Absolute Max. Control Voltage (Vctrl)	20V
Absolute Max. RF Input Level	100mW

Pin Connections

IN	2
CONTROL	6
OUT	10
V+	14
GROUND	1,3,4,5,7,8,9,11,12,13



Outline Drawing



Outline Dimensions (inch/mm)

A	B	C	D	E	F	G	H	J
.500	.500	.195	.100	.080	.115	.060	.040	.540
12.70	12.70	4.95	2.54	2.03	2.92	1.52	1.02	13.72
K	L	M	N	P	Q	R	S	wt.
.060	.100	.135	.135	.115	.140	.070	.150	grams
1.52	2.54	3.43	3.43	2.92	3.56	1.78	3.81	1.0

REV. B
M85783
EDR-5407/2
RVA-2500
RVN/TD/CP
030304



INTERNET <http://www.minicircuits.com>

P.O. Box 350166, Brooklyn, New York 11235-0003 (718) 934-4500 Fax (718) 332-4661

Distribution Centers NORTH AMERICA 800-654-7949 • 417-335-5935 • Fax 417-335-5945 • EUROPE 44-1252-832600 • Fax 44-1252-837010

ISO 9001 CERTIFIED