



MC33157

Half Bridge Controller and Driver for Industrial Linear Tubes

The MC33157 includes the oscillator circuit and two output channels to control a half-bridge power stage.

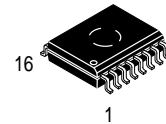
One of the channels is ground-referenced. The second one is floating to provide a bootstrap operation for the high side switch.

Dedicated Driver for Industrial Linear Tubes

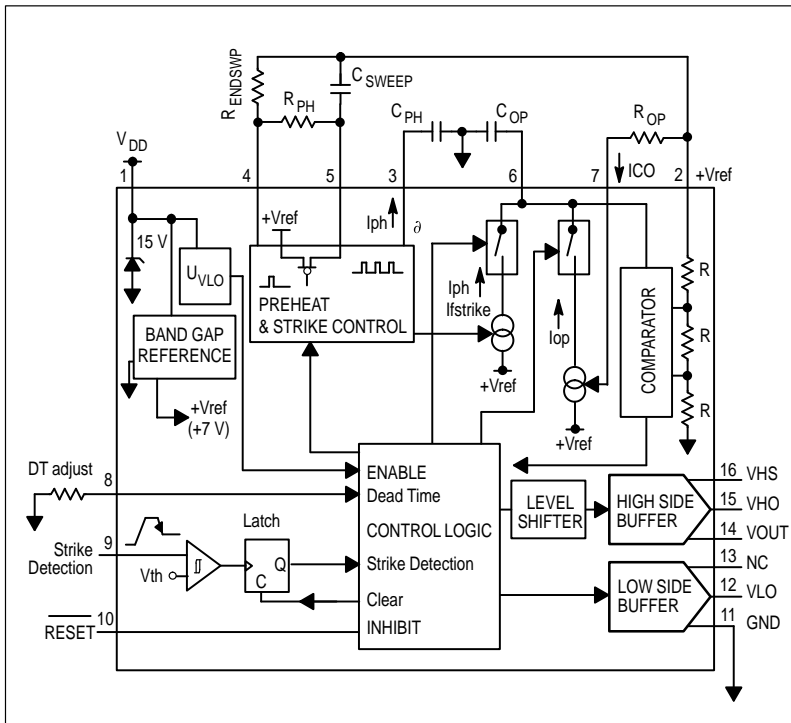
- Main oscillator is current controlled, making it easy to set up by a single external resistor. On top of that, such a feature is useful to implement a dimming function by frequency shift.
- Filament pre-heating time control built-in
- The strike sequence is controllable by external passive components, the resonant frequency being independently adjustable. This frequency can be made different from the pre-heating and the steady state values. A frequency sweep between two defined values makes this IC suitable for any series resonant topologies.
- Dedicated internal comparator provides an easy lamp strike detection implementation.
- Digital $\overline{\text{RESET}}$ pin provides a fast reset of the system (less than 10 μ s). Both output MOSFET are set to "OFF" state when $\overline{\text{RESET}}$ is zero.
- Adjustable dead time makes the product suitable for any snubber capacitor and size of MOSFET used as power switches
- Designed to be used with standard setting capacitors $\leq 470\text{nF}$
- A voltage reference, derived from the internal bandgap, is provided for external usage. This voltage is 100% trimmed at probe level yielding a 2% tolerance over the temperature range

HALF BRIDGE CONTROLLER AND DRIVER FOR INDUSTRIAL LINEAR TUBES

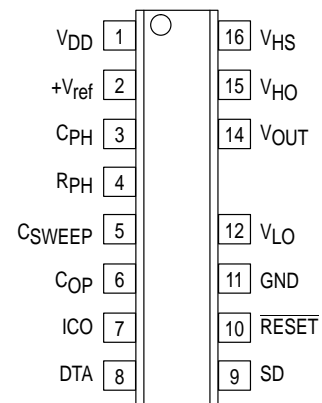
SEMICONDUCTOR TECHNICAL DATA



DW SUFFIX
PLASTIC PACKAGE
CASE 751G
(SO-16L)



PIN CONNECTIONS



(Top View)

ORDERING INFORMATION

Device	Tested Operating Temperature Range	Package
MC33157DW	T _A = -40° to +85°C	Plastic SO-16L

MC33157

MAXIMUM RATINGS

Rating	Symbol	Value	Unit
High Side Max Voltage	V_{HS}	600	V
Differential Max Voltage $V_{HS} - V_{OUT}$	ΔV_{HS}	16	V
High Side Output Voltage Range	V_{HO}	$V_{OUT}-0.3$ to $V_{HS}+0.3$	V
Low Side Output Voltage Range	V_{LO}	-0.3 to +16	V
Max V_{HS} Allowable Slew Rate	dV_{HS}/dt	± 10	V/ns
Max V_{HO}/V_{LO} Allowable Slew Rate	$dV_{HO}/dt, dV_{LO}/dt$	± 10	V/ns
Supply Voltage (Note 1)	V_{DD}	16	V
Maximum Power Dissipation @ $T_A = 50^\circ\text{C}$	P_D	600	mW
Thermal Resistance Junction-to-Air	$R_{\theta JA}$	140	$^\circ\text{C}/\text{W}$
Operating Junction Temperature	T_J	-40 to +150	$^\circ\text{C}$
Storage Temperature Range	T_{stg}	-65 to +150	$^\circ\text{C}$
Electrostatic Discharge [HBMI]	ESD	2.0	kV

ELECTRICAL CHARACTERISTICS ($V_{DD} = 14\text{V}$. All parameters are specified for -20°C to 85°C ambient temperature unless otherwise noted.)

Characteristic	Symbol	Min	Typ	Max	Unit
----------------	--------	-----	-----	-----	------

SUPPLY VOLTAGE

Input Threshold Voltage					
Turn-On	UV_{ON}	11	12	12.8	V
Turn-Off	UV_{OFF}	8.0	8.5	9.0	V
Clamp Voltage @ $I_{CLAMP} = 10\text{ mA}$	V_{CLAMP}	15	16	16.5	V
Supply Current (Note 2)	I_S		12		mA
Standby Current at No Load @ $V_{DD} < UV_{OFF}$	I_{STDBY}		1.5		mA
Quiescent Current at No Load @ $V_{DD} > UV_{ON}$	I_Q		2.5		mA

OUTPUT DRIVERS (V_{LO}, V_{HO})

High Side $V_{DS_{ON}}$ @ Source current = 250 mA	$V_{DS(P)}$	-	880	1500	mV
Low Side $V_{DS_{ON}}$ @ Sink current = 300 mA	$V_{DS(N)}$	-	880	1500	mV
High Side / Low Side rise time @ $C_{OUT} = 2\text{ nF}$	t_r		40		ns
High Side / Low Side fall time @ $C_{OUT} = 2\text{ nF}$	t_f		35		ns

OSCILLATOR

Output Max Frequency	f_{OSC}			250	kHz
Internal Master Clock Duty Cycle	DC	-	50	-	%
System operation programming recommended values	R_{OP}	68		560	k Ω
	R_{PH}	68		560	k Ω
	$R_{ENDSWEEP}$	68		2200	k Ω
	R_{DTA}	10		250	k Ω
	C_{OP}	100		560	pF
V_{COP} High threshold		-	4.2	-	V
V_{COP} Low threshold		-	2.8	-	V
I_{COP} discharging current		-	400	-	μA
I_{COP} over I_{ROP} current ratio		-	2.0	-	

TIMING

Preheat timing capacitor pulsed charging current (Duty Cycle=1/16)	I_{tPH}	14	16	17	μA
Filament preheat time with $C_{PH} = 0.47\text{ }\mu\text{F}$	t_{PH}	-	2.0	-	s
Strike sequence recycling time with $C_{PH} = 0.47\text{ }\mu\text{F}$	t_{SK}	-	125	-	ms
C_{PH} charging current ratio	∂	-	1/16	-	
Strike sequence restart blanking time with $C_{PH} = 470\text{ nF}$	t_{bk}	-	10	-	ms
Dead time: externally adjustable by R_{dt}	dt	0.3	-	2.5	μs
Dead time adjust resistance (Recommended range)	R_{dt}	10	-	220	k Ω
Dead time tolerance	dt_{Tol}		± 10		%

MC33157

ELECTRICAL CHARACTERISTICS (continued) ($V_{DD} = 14V$. All parameters are specified for $-20^{\circ}C$ to $85^{\circ}C$ ambient temperature unless otherwise noted.)

Characteristic	Symbol	Min	Typ	Max	Unit
VOLTAGE REFERENCE					
Voltage reference @ $I_{LOAD} = 500 \mu A$, $T_J = 25^{\circ}C$	V_{REF}	–	7.0	–	V
Line regulation @ $I_{LOAD} = 500 \mu A$, $T_J = 25^{\circ}C$	ΔV_{REF}	–	10	–	mV
Load regulation @ $I_{LOAD} = 500 \mu A$ to 5 mA	ΔV_{REF}	–	10	–	mV
Maximum load current	I_{REFMAX}	–	–	25	mA
Total V_{REF} variation over Line, Temperature, Load	V_{REF}	6.85	7.0	7.15	V

INPUT

Strike detect high voltage threshold	V_{THSDHI}	–	4.0	–	V
Strike detect low voltage threshold	V_{THSDLO}	–	3.75	–	V
Maximum current on strike detect input @ Regulation level	I_{SDHI}	–	–	10	nA
Maximum voltage on strike detect @ Regulation level	V_{SDHI}	–	–	7.0	V
Maximum current on strike detect input @ Low level	I_{SDLO}	–	–	10	nA
Maximum strike detect voltage negative input	V_{SDNEG}	–	–	–0.3	V
Strike detect minimum pulse width	SDPW	50	100	–	ns
\overline{RESET} high voltage	\overline{RSTHI}	–	1.8	2.2	V
\overline{RESET} low voltage	\overline{RSTLO}	1.6	1.8	–	V
\overline{RESET} input current @ high voltage		–	–20	–	μA
\overline{RESET} input current @ low voltage		–	–20	–	μA
\overline{RESET} maximum voltage		–	–	7.0	V
\overline{RESET} maximum negative voltage		–	–	–0.3	V

NOTES: 1. Since this device has a built-in zener, one cannot use a low impedance supply to drive this pin. Having a current limit mode by external means is mandatory.
 2. Test Conditions: $C_{OUT} = 2.2 \text{ nF}$, $f = 100 \text{ kHz}$, $V_{DD} = 15V$.

MC33157

PIN FUNCTION DESCRIPTION

Pin	Symbol	Function	Description
1	V _{DD}	Supply voltage input	This pin provides the DC supply to the circuit. The voltage is internally clamped by a zener connected to the ground. It is NOT allowed to use a DC low impedance power supply to feed this pin, but limiting the current by an external resistor is mandatory. It is recommended to damp this pin to ground by an electrolytic capacitor connected close to pin 1.
2	+V _{ref}	Voltage reference output	This pin provides a +7V voltage reference derived from the internal bandgap. The +V _{ref} can supply up to 25 mA and shall be decoupled to ground by a 220nF ceramic capacitor
3	C _{PH}	Preheat timing capacitor	This capacitor sets two timings: filaments preheat time (t _{PH}) and strike sequence recycle time (t _{SK}). It is charged with a constant current and cares must be observed to minimize the leakage current at this pin to get the expected timing. Typically, a 0.47 μF capacitor will give a 2 seconds pre-heating time and a 125 ms strike sequence recycle time. (See details given by figure 9)
4	R _{PH}	Preheat and Strike frequencies adjustment resistors	The R _{PH} resistor together with R _{ENDSWEEP} and C _{OP} defines the frequency used to preheat the filaments (f _{PH} = f ₁). R _{ENDSWEEP} defines the strike frequency (f _{ENDSWEEP} = f ₂). During the sweep timing, the frequency will sweep from the high pre-heating f ₁ to the low strike f ₂ values. Normally, f ₁ is far from the LC resonance but f ₂ is close enough to generate the high voltage across the fluorescent tube. (See details given by figure 9)
5	C _{SWEEP}	Frequency sweep timing capacitor	This timing define the sweep time from f ₁ to f ₂ . Since the timing capacitor is charged with a low constant current, cares must be observed to minimize the leakage current at this pin to get the expected timing. Since this capacitor is charged through resistor R _{PH} , the voltage rises according to an exponential and the frequency shifts with the same law.
6	C _{OP}	Oscillator capacitor	This pin defines the steady state operation frequency (f ₃ = f _{OP}) of the controller. Since this timing capacitor is charged with a low constant current, cares must be observed to minimize the leakage current at this pin to get the expected frequency. Film type capacitor are recommended (polycarbonate).
7	ICO	Steady state operating frequency adjustment current input	Since the circuit uses a Current Controlled Oscillator (ICO), the current forced into this pin will control the operating frequency. The allowable current range is from 1 μA to 500 μA. The +V _{ref} output can be used to provide the voltage across R _{OP} . An auxiliary voltage source can be used to implement a dimming function.
8	DTA	Dead Time Adjust	This pin provides an access to the internal timing system to adjust the dead time between the gate drive of the High and Low power switches connected, respectively, to pin V _{HO} and V _{LO} .
9	SD	Strike detection input	This pin drives a comparator, with an internal fixed reference, and acknowledges the tube strike. When a negative going slope (across the internal reference) is detected, the system considers the lamp has struck and the oscillator jumps from the present frequency value, which is within the window defined by R _{PH} and R _{ENDSWEEP} to the steady state value defined by R _{OP} . If no negative going slope is detected on this pin, the system will repeat the sweep and strike sequence four times, then stops. The circuit will re-start from either a RESET, or by pulling +V _{DD} to ground. The input signal can be either a logic level or an analog voltage ramping up from zero to +V _{ref} followed by a negative going slope to zero. In any case, the positive pulse width must be 1 μs minimum. The pcb layout must be designed to minimize the noise at this pin. (See details given by figures 8, 9, & 10)
10	RESET	Master reset input	Forcing a logic zero to this pin (HCMOS low level) will reset the circuit, initializing a frequency sweep and lamp strike sequence. The master reset does not include the pre-heating timing. The minimum pulse width requested is 10μs to guarantee a reset state. However, this pin has no built in filtering and a shorter pulse may initialize a reset sequence: it is the responsibility of the designer to make sure that no noise or parasitic pulse are developed at the RESET input. A full re-start of the sequence, including the pre-heating time, can be initialized by pulling the +V _{DD} pin to ground. In this case, +V _{DD} and RESET must be simultaneously released to a high state. When RESET is asserted low (active) both outputs MOS are biased in the off condition. An internal 20μA pull up current forces the pin to logic one, allowing the designer to left this pin open if the RESET function is not used. In order to avoid any uncontrolled state of the output drivers, it is recommended to set up a 10ms low level at pin 10. The reset is activated in less than 10 microsecond, but releasing this pin while the V _{cc} supply is high (above 300V) can generate a random operation, depending upon the dv/dt coming from the power supply.
11	GND	Ground (zero voltage reference)	Since high and fast currents circulate in the circuit, it is mandatory to build a single ground point in the system.
12	V _{LO}	Low side driver output	This pin provides the V _{GS} to drive the Low side power MOSFET.
13	NC	Not Connected	
14	V _{OUT}	High side common point / Half bridge output	This pin is connected to the output of the half bridge and is referenced for the High side switch.
15	V _{HO}	High side driver output	This pin provides the V _{GS} to drive the High side power MOSFET.
16	V _{HS}	High voltage boost supply	The gate drive of the High side switch is derived from this voltage.

MC33157

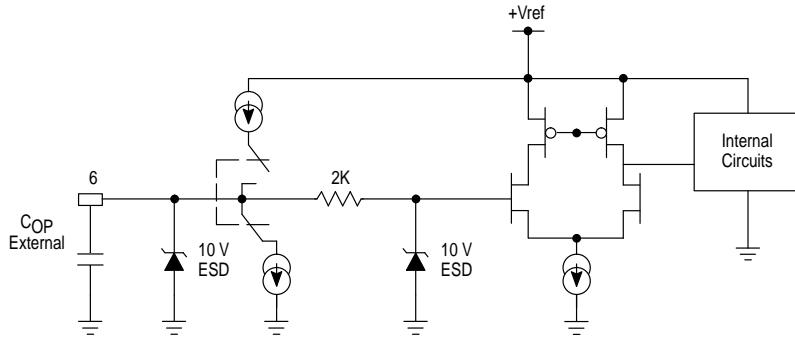


Figure 1. PIN 6 C_{OP} INPUT

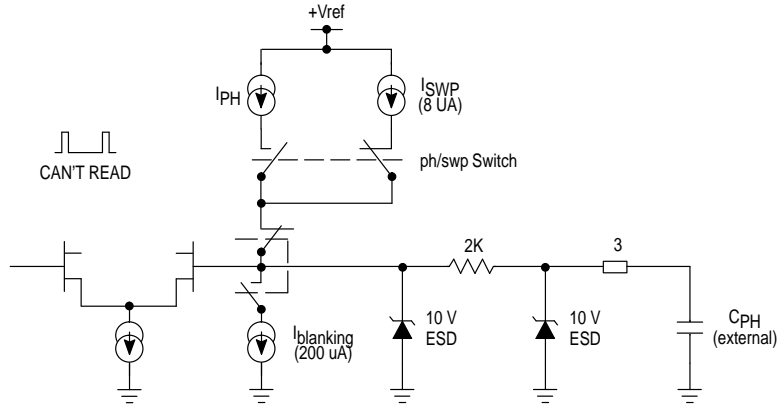


Figure 2. PIN 3 C_{PH} INPUT

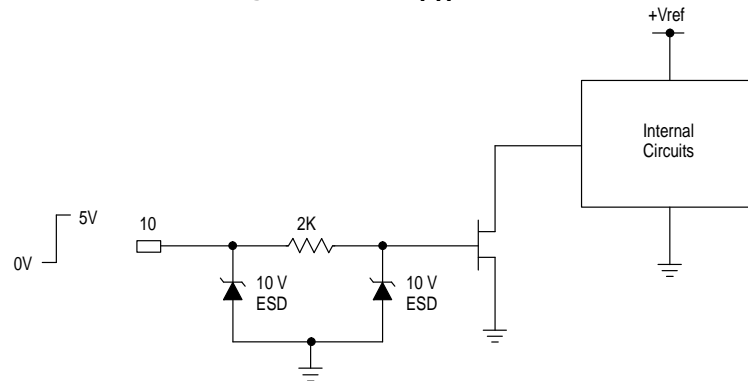


Figure 3. PIN 10 $\overline{\text{RESET}}$

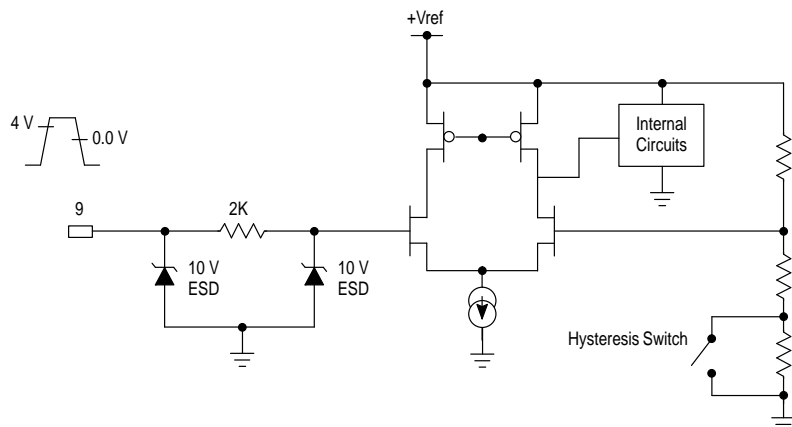


Figure 4. PIN 9 SD

MC33157

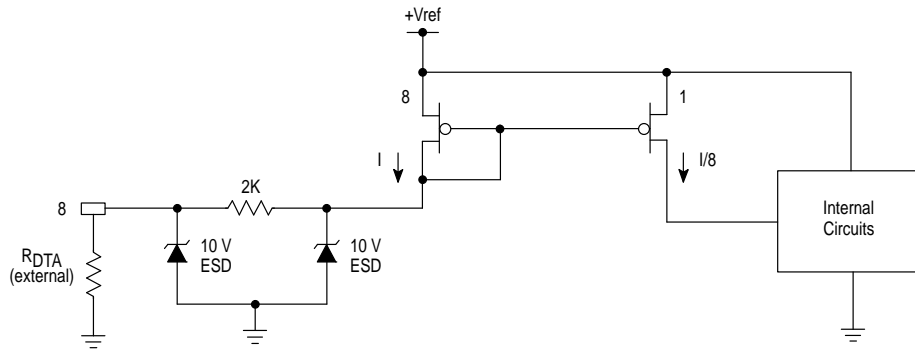


Figure 5. PIN 8 DTA

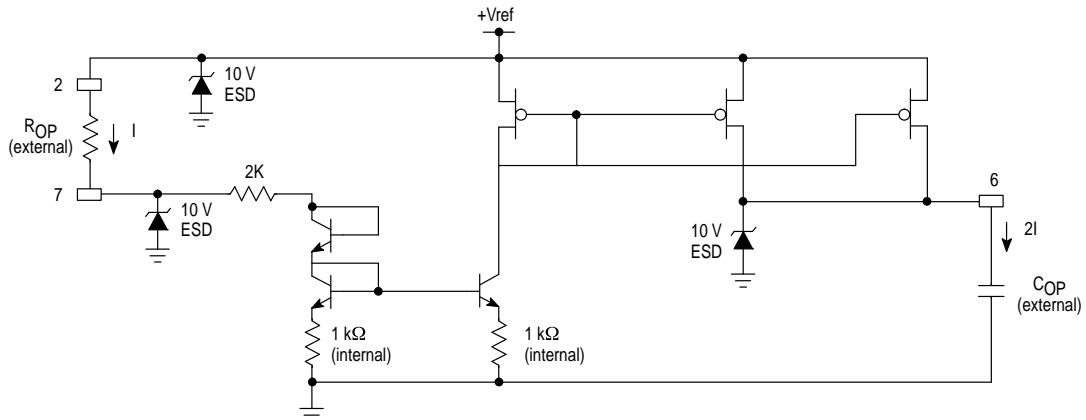


Figure 6. PIN ICO

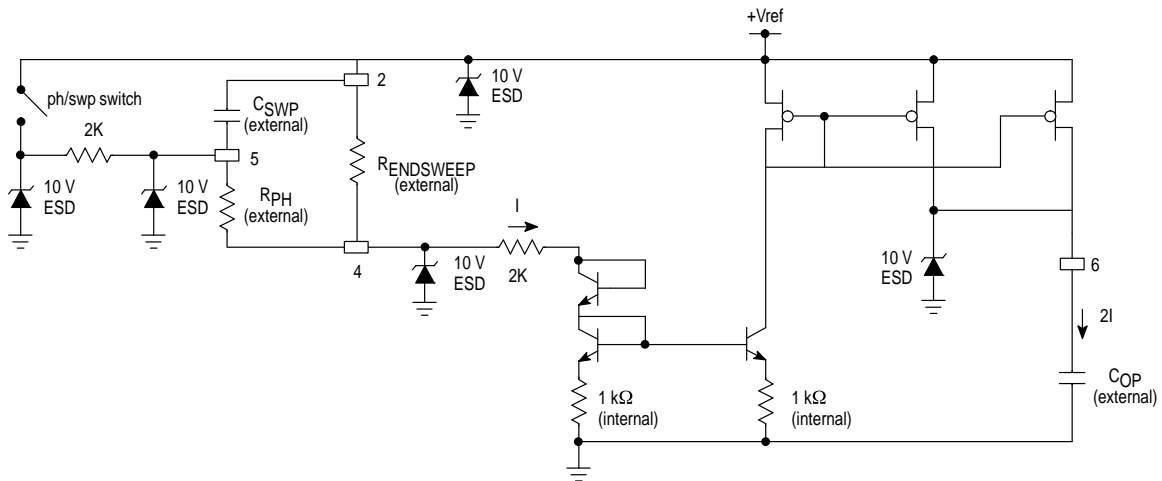


Figure 7. PIN 2, 4 & 5 V_{ref} , R_{PH} & C_{SWP}

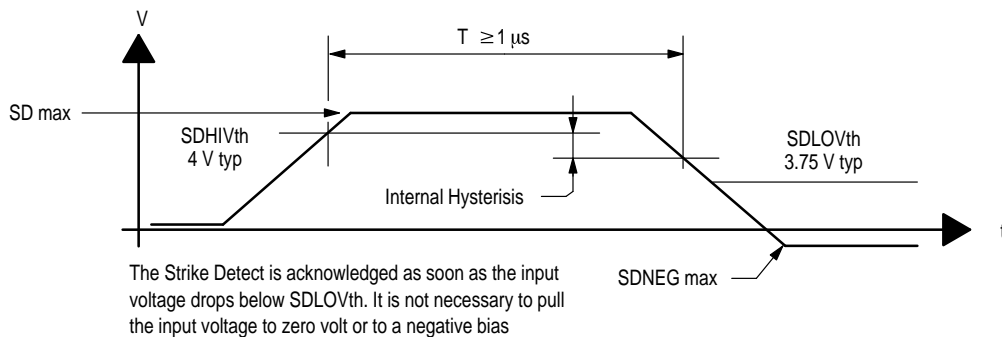
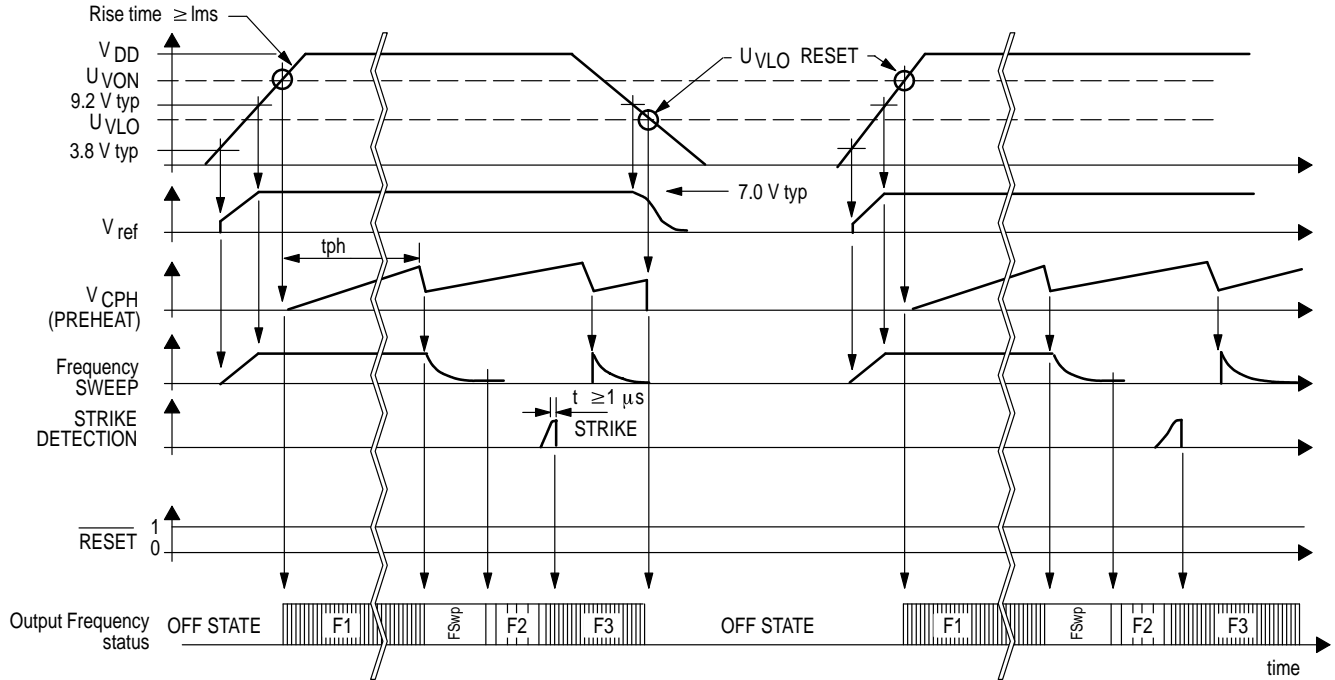


Figure 8. STRIKE DETECTION

Figure 9. TIMING DIAGRAM (Normal startup sequence and U_{VLO} reset)



$f_1 = f_{PH}$, preheating frequency adjusted by R_{PH} and $R_{ENDSWEEP}$

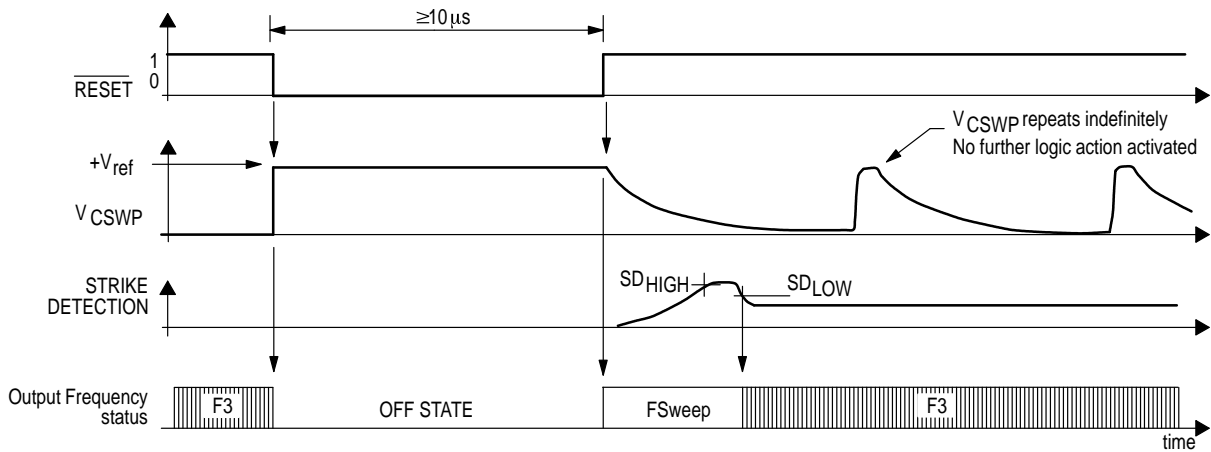
$f_2 = f_{ENDSWEEP}$, end of sweep frequency, adjusted by $R_{ENDSWEEP}$ (pin 2). In any case $f_1 \geq f_2$

$f_3 = f_{OP}$, operating frequency controlled by the I_{CO} current (pin 7) and capacitor C_{OP}

$$t_{PH} = (C_{PH} * 2/3 * V_{ref}) / (\partial * I_{tPH})$$

"OFF" state: High side switch OFF, Low side switch ON

Figure 10. TIMING DIAGRAM (External reset)



Previous On state

When \overline{RESET} pin is released to a logic one, the system jumps to the preheat frequency as defined by R_{PH} , then executes a frequency sweep down to $f_{ENDSWEEP}$, as defined by $R_{ENDSWEEP}$, and waits until a strike detection signal is applied to pin 9. There is no preheating timing performed after a reset coming from pin 10.

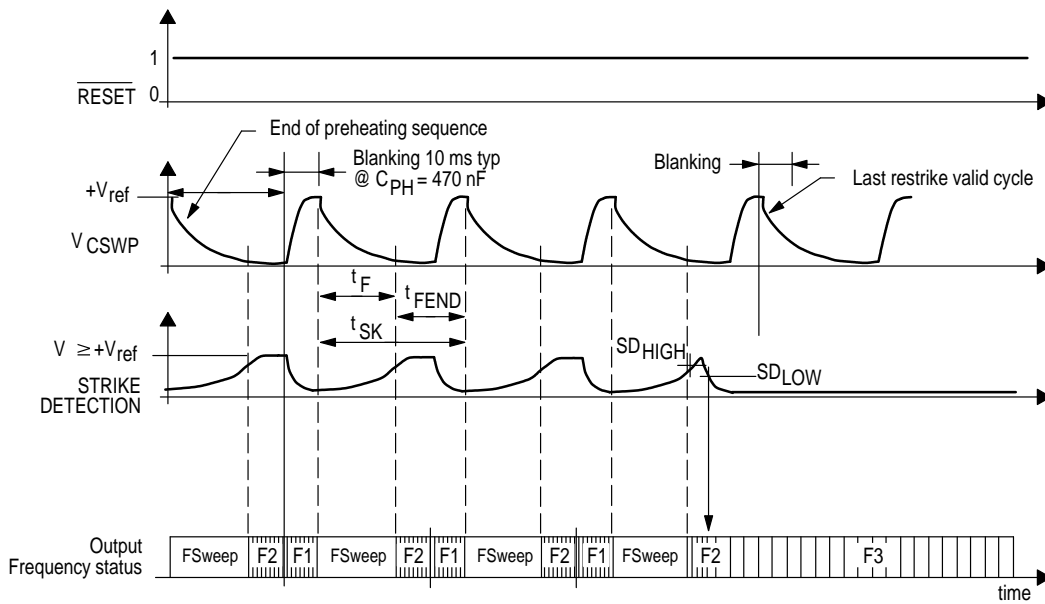
\overline{RESET} logic level is CMOS compatible.

Note: Strike detection lever can be either digital – CMOS or analog as depicted here above, as long as the signal fulfills the SD_{HIGH} and SD_{LOW} values and timing.

OFF STATE: both output MOSFET are biased in the off condition.

MC33157

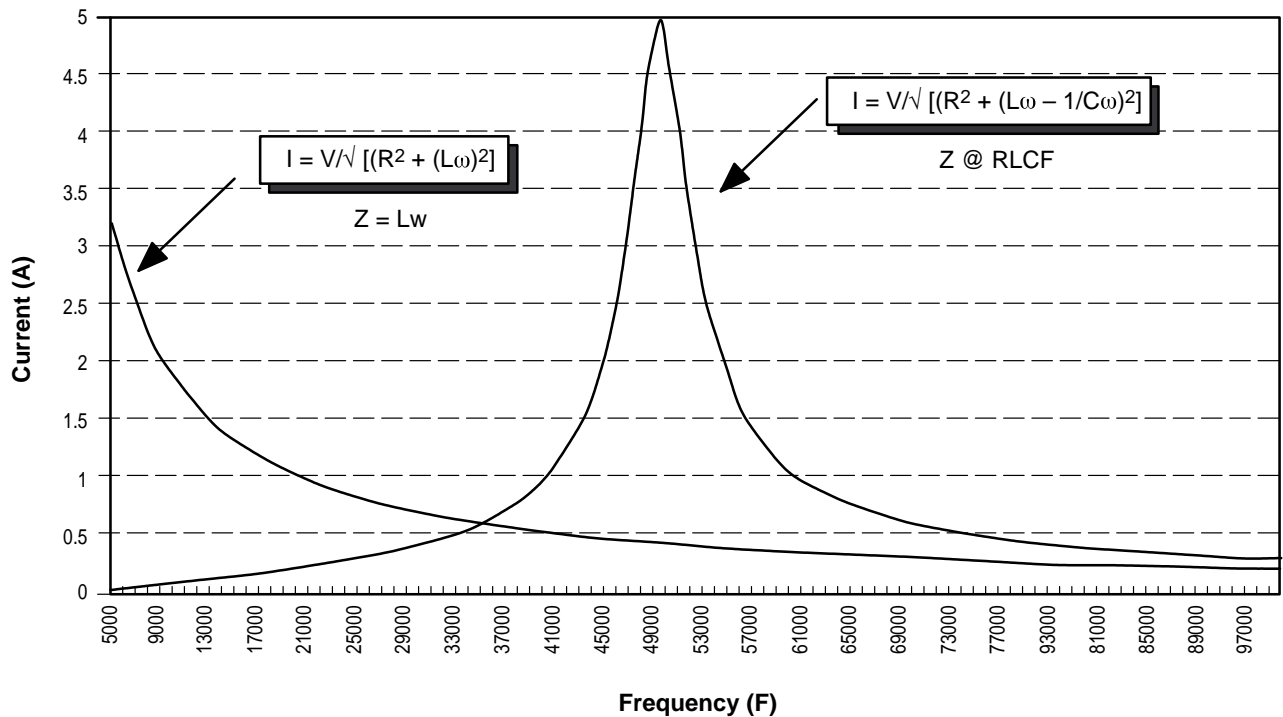
Figure 11. TIMING DIAGRAM (no strike conditions)



t_{SF} : Sweep Frequency time. This time is given by the RC network built with C_{SWEEP} and R_{PH} .
 t_{SK} : Sweep sequence recycle time. This time is derived by integrating a constant DC current in capacitor C_{PH} . There is a fixed ratio (θ) between the preheating time t_{PH} and strike sequence recycle time t_{SK} .
 t_{FEND} : Time during which $f = (f_{ENDSWP})$. This time is equal to $t_{SK} - t_{SF}$.

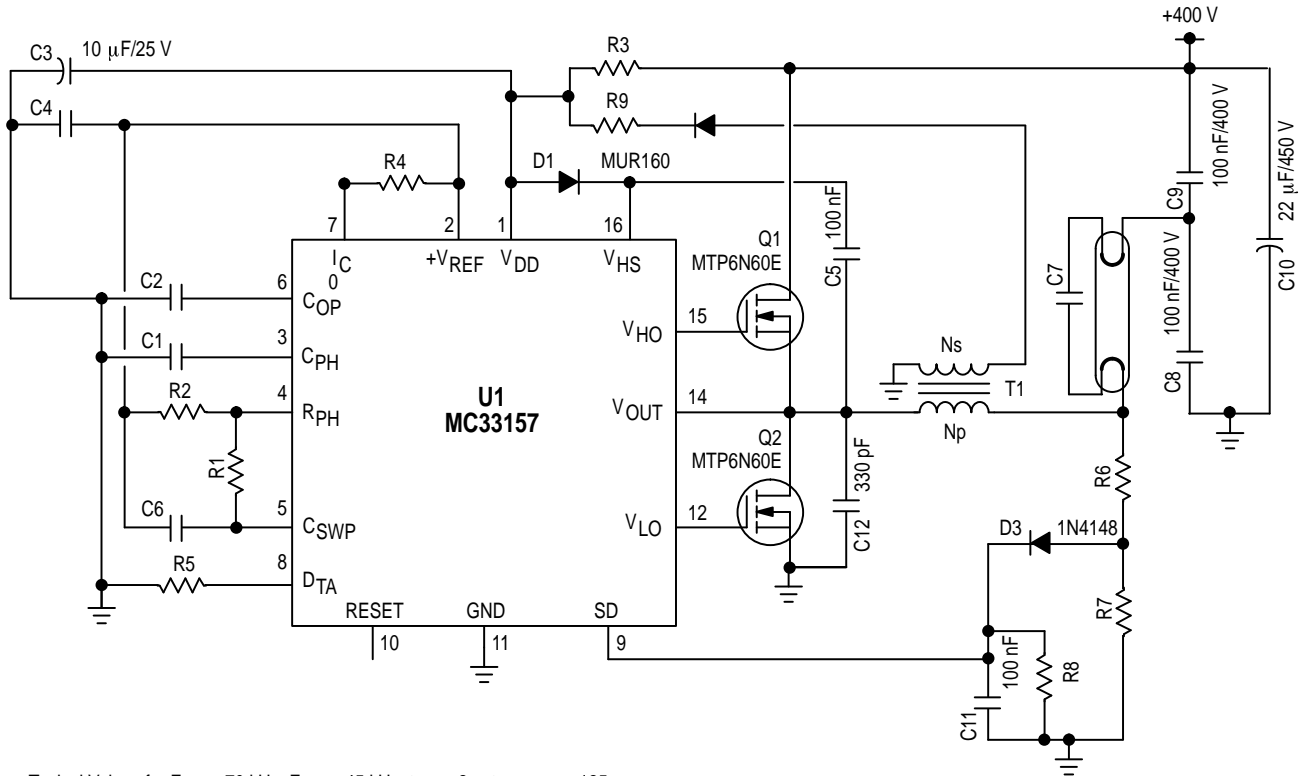
The controller repeats the f_{SWEEP} and the strike sequence until there is a STRIKE signal coming from the external circuit, or until FOUR sequences have been counted. Following a non strike situation, the controller goes in a full STOP and can be reinitialized by either pulling the V_{DD} pin 1 to ground or by forcing a low to the RESET pin 9. The controller assumes the lamp has struck when a negative going transient is applied on the STRIKE detection pin 10. On the other hand, in order to avoid false strike information, the controller force a blank time between the end of t_{SWEEP} and the start of the next sequence.

Figure 12. OUTPUT = f (freq) @ $L_c = 1.5 \text{ mH}$, $C_s = 6.8 \text{ nF}$



MC33157

Figure 13. Typical Application Schematic Diagram



Typical Values for $F_{PH} = 70 \text{ kHz}$, $F_{OP} = 45 \text{ kHz}$, $t_{PH} = 2 \text{ s}$, $t_{SWEEP} = 125 \text{ ms}$

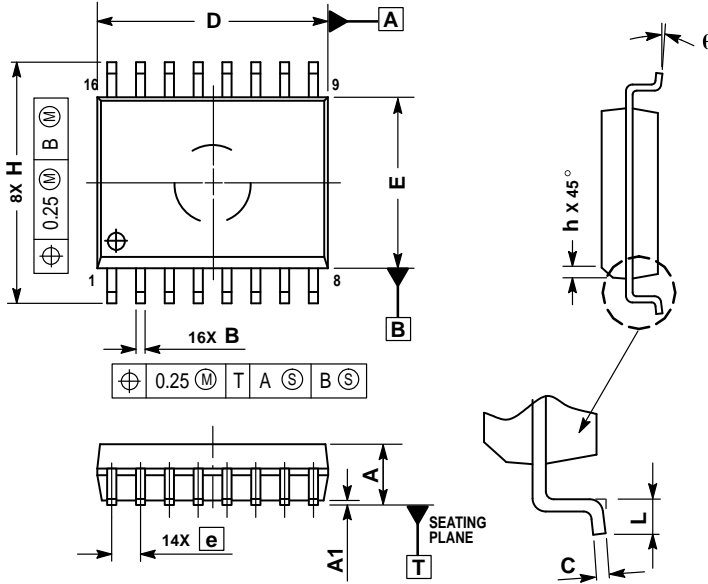
T1	$N_p =$	R1	390 k Ω	C1	470 nF/25 V/Polyester
	$N_s =$	R2	62 k Ω	C2	470 pF/2%/50 ppm
	$L_p = 150 \text{ mH}$	R3	100 k $\Omega - 0.5 \text{ W}$	C3	10 $\mu\text{F}/25 \text{ V/Electrolytic}$
Q1	MTP6N60E	R4	100 k Ω	C4	220 nF/Polyester
Q2	MTP6N60E	R5	82 K Ω	C5	100 nF/63 V/Polyester
D1	MUR160RL	R6	1 M Ω	C6	220 nF/25 V/Polyester
D2	MUR120RL	R7	68 K Ω	C7	6.8 nF/5%/1000 V
D3	1N4148	R8	68 k Ω	C8	100 nF/400 V/Polyester
U1	MC33157	R9	22 Ω	C9	100 nF/400 V/Polyester
				C10	22 $\mu\text{F}/450 \text{ V/Electrolytic}$
				C11	100 nF/25 V/Polyester
				C12	330 pF/500 V/Polyester

TO SEE: AN1682 (Using the MC33157 Electronic Ballast Controller)

MC33157


OUTLINE DIMENSIONS

SO-16L, DW SUFFIX
 PLASTIC PACKAGE
 CASE 751G-03
 ISSUE B



- NOTES:
1. DIMENSIONS ARE IN MILLIMETERS.
 2. INTERPRET DIMENSIONS AND TOLERANCES PER ASME Y14.5M, 1994.
 3. DIMENSIONS D AND E DO NOT INCLUDE MOLD PROTRUSION.
 4. MAXIMUM MOLD PROTRUSION 0.15 PER SIDE.
 5. DIMENSION B DOES NOT INCLUDE DAMBAR PROTRUSION. ALLOWABLE DAMBAR PROTRUSION SHALL BE 0.13 TOTAL IN EXCESS OF THE B DIMENSION AT MAXIMUM MATERIAL CONDITION.

DIM	MILLIMETERS	
	MIN	MAX
A	2.35	2.65
A1	0.10	0.25
B	0.35	0.49
C	0.23	0.32
D	10.15	10.45
E	7.40	7.60
e	1.27 BSC	
H	10.05	10.55
h	0.25	0.75
L	0.50	0.90
θ	0°	7°

Motorola reserves the right to make changes without further notice to any products herein. Motorola makes no warranty, representation or guarantee regarding the suitability of its products for any particular purpose, nor does Motorola assume any liability arising out of the application or use of any product or circuit, and specifically disclaims any and all liability, including without limitation consequential or incidental damages. "Typical" parameters which may be provided in Motorola data sheets and/or specifications can and do vary in different applications and actual performance may vary over time. All operating parameters, including "Typicals" must be validated for each customer application by customer's technical experts. Motorola does not convey any license under its patent rights nor the rights of others. Motorola products are not designed, intended, or authorized for use as components in systems intended for surgical implant into the body, or other applications intended to support or sustain life, or for any other application in which the failure of the Motorola product could create a situation where personal injury or death may occur. Should Buyer purchase or use Motorola products for any such unintended or unauthorized application, Buyer shall indemnify and hold Motorola and its officers, employees, subsidiaries, affiliates, and distributors harmless against all claims, costs, damages, and expenses, and reasonable attorney fees arising out of, directly or indirectly, any claim of personal injury or death associated with such unintended or unauthorized use, even if such claim alleges that Motorola was negligent regarding the design or manufacture of the part. Motorola and  are registered trademarks of Motorola, Inc. Motorola, Inc. is an Equal Opportunity/Affirmative Action Employer.

Mfax is a trademark of Motorola, Inc.

How to reach us:

USA/EUROPE/Locations Not Listed: Motorola Literature Distribution;
P.O. Box 5405, Denver, Colorado 80217. 1-303-675-2140 or 1-800-441-2447

JAPAN: Motorola Japan Ltd.; SPD, Strategic Planning Office, 141,
4-32-1 Nishi-Gotanda, Shinagawa-ku, Tokyo, Japan. 81-3-5487-8488

Customer Focus Center: 1-800-521-6274

Mfax™: RMFAX0@email.sps.mot.com – TOUCHTONE 1-602-244-6609
Motorola Fax Back System – US & Canada ONLY 1-800-774-1848
– <http://sps.motorola.com/mfax/>

ASIA/PACIFIC: Motorola Semiconductors H.K. Ltd.; Silicon Harbour Centre,
2, Dai King Street, Tai Po Industrial Estate, Tai Po, N.T., Hong Kong.
852-26668334

HOME PAGE: <http://motorola.com/sps/>



MOTOROLA

